

ROOSEVELT LOFTS



BP24-00000249
REVIEWED for code
compliance
4/15/2024

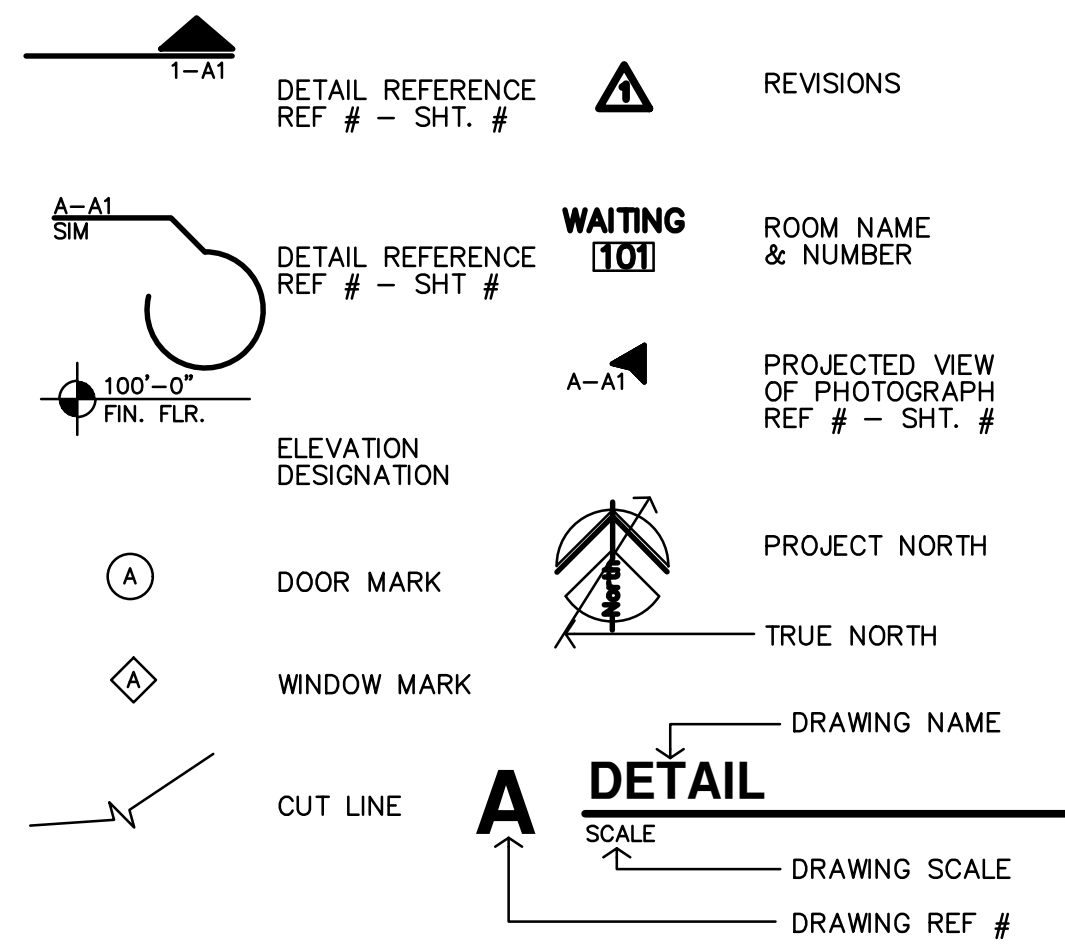
HISTORIC REHABILITATION - APARTMENTS

SAN ANGELO,

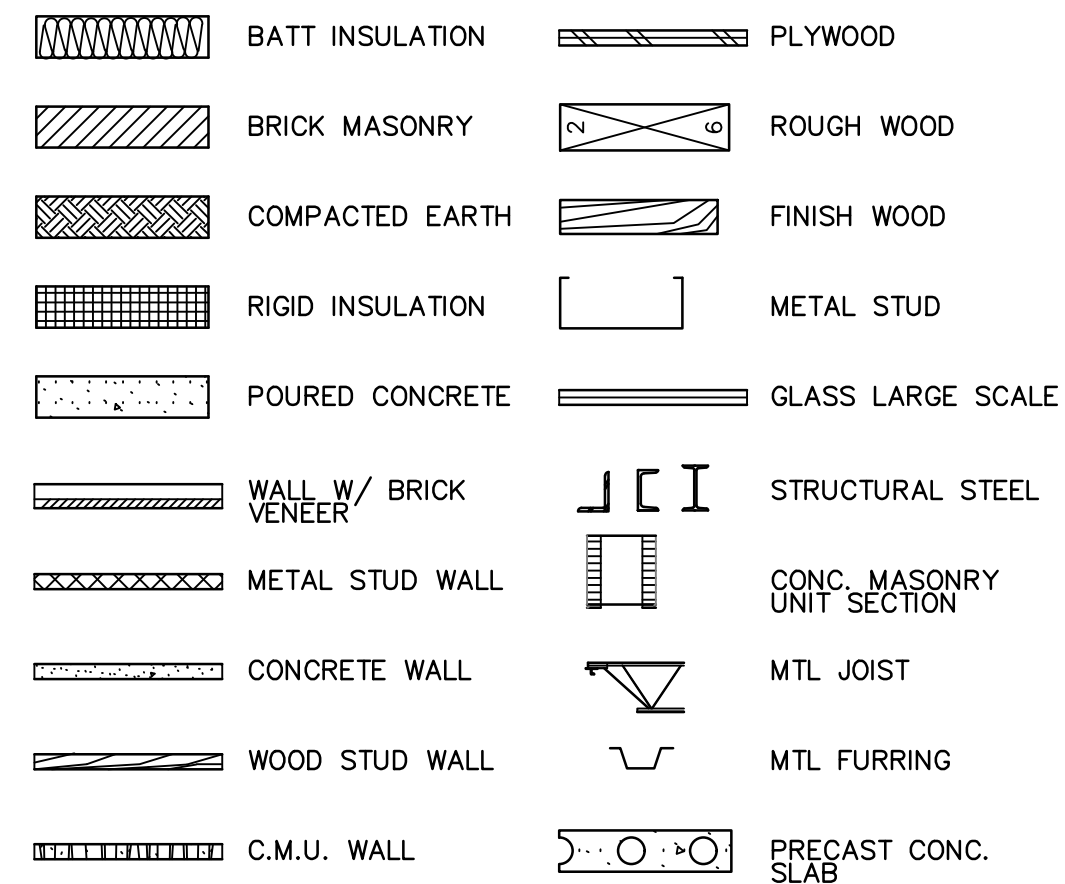
22-3281

TEXAS

REFERENCE LEGEND



MATERIAL LEGEND



ABBREVIATIONS

&	AND	Cntr.	Center	Exp.	Expansion	Hr.	Hour	N.I.C.	North	Reinf.	Reinforced	Temp.	Tempered
∠	Angle	Col.	Column	Ext.	Exterior	Hgt.	Height	No. or	Not In Contract	Req'd	Required	T.&G.	Tongue & Groove
@	Centerline	Conc.	Concrete	F.A.	Fire Alarm	I.D.	Inside Diameter	Nom.	Nominal	Resil.	Resilient	Thk.	Thick
⊙	Diameter or Round	C.T.	Ceramic Tile	F.D.	Fire Alarm	Insul.	Insulation	N.T.S.	Not To Scale	Rm.	Room	T.O.M.	Top Of Masonry
#	Found or Number	CMU	Concrete Masonry Unit	Fdn.	Foundation	Int.	Interior	O/	On or Over	R.O.	Rough Opening	T.O.S.	Top Of Steel
Acous.	Acoustical	Det.	Detail	F.E.C.	Fire Extinguisher	Jan	Janitor	Obs.	Obscure	S.	South	T.P.	Top Of Pavement
Adj.	Adjustable	Dbl.	Double	F.F.	Fire Cabinet	Jt.	Joint	O.C.	On Center	S.B.	Spill Block	T.P.D.	Toilet Paper Dispenser
A.F.F.	Above Finished Floor	D.F.	Drinking Fountain	Fl.	Finish	Kit.	Kitchen	O.D.	Office	Sched.	Schedule	T.V.	Television
Aggr.	Aggregate	Fl.	Flashing	Fl.	Flow line	Lab.	Laboratory	Opp.	Opposite	Sect.	Section	T.W.	Trackwall
Al.	Aluminum	Fl.	Flashing	Fl.	Foot or feet	Lam.	Laminated	Opp.	Opposite	Sh.	Shower	Typ.	Typical
Arch.	Architect or Architectural	Dr.	Door	Ft.	Foot or feet	Lav.	Lavatory	P.	Paint	Sht.	Sheet	Ur.	Urinal
Asb.	Asbestos	Dwg.	Downspout	Furr.	Furring	Lk.	Locker	P.Lam.	Plastic Laminated	Sim.	Similar	U.O.N.	Unless Otherwise Noted
Asph.	Asphalt	Dwg.	Downspout	Furr.	Furring	Lt.	Light	Plas.	Plaster	San.	Sanitary Napkin Disp.	V.C.T.	Vinyl Composition Tile
A.V.	Audio Visual	Dwr.	Drawer	Fut.	Future	Max.	Maximum	Plywd.	Plywood	S.N.D.	Sanitary Napkin Recep.	V.T.	Vinyl Tile
Bd.	Board	(E)	Existing	Ga.	Gauge	M.C.	Medicine Cabinet	Pt.	Point	Spec.	Specification	V.B.	Vapor Barrier
Bitum.	Bituminous	Ex.	East or Existing	Galv.	Galvanized	Mech.	Mechanical	P.T.D.	Paper Towel Dispenser	Sq.	Square	Vest.	Vestibule
Bldg.	Building	Ea.	Each	G.B.	Grab Bar	Memb.	Membrane	Ptn.	Partition	S.S.	Stainless Steel	Vy.	Vinyl
Blk.	Block	Ea.	Each	Gr.	Ground	Met.	Metal	P.T.R.	Paper Towel Receptacle	Std.	Standard	W.	West
Blk'g.	Blocking	E.J.	Expansion Joint	Gyp.	Gypsum	Mfr.	Manufacturer	Q.T.	Quarry Tile	Str.	Structural	w/	With
Bm.	Beam	Elev.	Elevation	H.B.	Hose Bibb	Mir.	Mirror	R.	Riser	Susp.	Suspended	w/o	Without
Bot.	Bottom	Elec.	Electrical	H.C.	Hollow Core	Misc.	Miscellaneous	Rad.	Radius	W.C.	Water Closet	Wd.	Wood
Bot. BY OWNER	Bottom BY OWNER	Eq.	Equipment	H.W.	Hardwood	M.O.	Masonry Opening	R.D.	Roof Drain	Wp.	Waterproof	Wdw.	Window
Brg.	Bearing	Exp.	Exposed	H.M.	Hollow Metal	Horiz.	Horizontal	Ref.	Reference	Wsc.	Wainscot	Wt.	Weight
Brk.	Brick	Exp.	Exposed	H.M.	Hollow Metal	Horiz.	Horizontal			T.Bd.	Tack Board		
Cab.	Cabinet												
Cig.	Ceiling												
Cir.	Clear												



CONSULTANTS

Civil Engineer ;

S M Civil Engineering
5507 High Meadow Circle
Manhattan, Kansas 66503
(785)314-9747 smcivilengr@gmail.com
www.msengr.com

Mechanical & Electrical Engineer ;

LST Consulting Engineers, PA
4809 Vue Du Lac Place, Suite 301
Manhattan, KS 66503
785.587.8042; FAX 785.587.8039
mail@LSTengineers.com

Structural Engineer ;

Engineering Consultants
1227 North Main Street
Hutchinson, KS 67501
ph. (620) 665-6394
fax (620) 665-0218
info@echutch.com

SHEET INDEX

GENERAL

- COVER & SHEET INDEX
- CPF1 CODE FOOT PRINT
- CPF2 CODE FOOT PRINT
- ADA ADA DIAGRAMS AND INFORMATION
- ANSI-1 ANSI DIAGRAMS AND INFORMATION
- ANSI-2 ANSI DIAGRAMS AND INFORMATION
- ANSI-3 ANSI DIAGRAMS AND INFORMATION
- FH FAIR HOUSING DIAGRAMS AND INFORMATION
- UFAS UFAS DIAGRAMS AND INFORMATION
- TAS1 TAS DIAGRAMS AND INFORMATION
- TAS2 TAS DIAGRAMS AND INFORMATION

CIVIL

- (DRAWINGS SUBMITTED FOR SEPARATE PERMIT REVIEW)
- C1.0 CIVIL COVER SHEET
- C2.0 SURVEY (DATED 2-15-2023)
- C3.0 DEMOLITION PLAN
- C4.0 SITE PLAN
- C5.0 UTILITY PLAN
- C6.0 GRADING PLAN
- C7.0 GRADING PLAN (ENLARGED)
- C8.0 SITE DETAILS

ARCHITECTURAL

- D1.1 SITE DEMOLITION PLAN & NOTES
- D2.1 DEMOLITION FLOOR PLANS
- D3.1 DEMOLITION EXTERIOR ELEVATIONS
- D3.2 DEMOLITION EXTERIOR ELEVATIONS
- A1.1 SITE PLAN
- A1.2 ENLARGED SITE PLANS
- A1.3 SITE DETAILS AND AMENITIES
- A2.0 APARTMENT GENERAL NOTES, SCHEDULES & DETAILS
- A2.1 FIRST & SECOND OVERALL FLOOR PLANS
- A2.2 THIRD OVERALL FLOOR PLAN
- A2.3 AREA A FIRST FLOOR PLAN
- A2.4 AREA B FIRST FLOOR PLAN
- A2.5 AREA A SECOND FLOOR PLAN
- A2.6 AREA B SECOND FLOOR PLAN
- A2.7 AREA A THIRD FLOOR PLAN
- A2.8 AREA B THIRD FLOOR PLAN
- A2.9 FLOOR FINISH PLANS
- A3.1 EXTERIOR ELEVATIONS
- A3.2 EXTERIOR ELEVATIONS
- A5.1 ROOF PLAN
- A5.2 ROOF DECK DETAILS
- A5.3 ROOF DETAILS & HISTORIC SIGN DETAILS
- A6.1 STAIR S1 & ELEVATOR E1 ENLARGED PLANS & SECTIONS
- A6.2 STAIR S1 PHOTOGRAPHS
- A6.3 STAIR S2 ENLARGED PLANS & SECTIONS
- A6.4 STAIR S2 PHOTOGRAPHS
- A7.1 FIRST & SECOND FLOOR REFLECTED CEILING PLANS
- A7.2 THIRD FLOOR REFLECTED CEILING PLAN
- A8.1 ENLARGED PUBLIC RESTROOM PLAN & INTERIOR ELEVATIONS
- A8.2 PUBLIC INTERIOR ELEVATIONS AND DETAILS
- A8.3 APARTMENT BATH PLANS & ELEVATIONS
- A8.4 APARTMENT BATH PLANS & ELEVATIONS
- A8.5 APARTMENT BATH PLANS & ELEVATIONS
- A8.6 APARTMENT BATH PLANS & ELEVATIONS
- A9.1 INTERIOR ELEVATIONS
- A9.2 INTERIOR ELEVATIONS
- A9.3 INTERIOR ELEVATION DETAILS
- A9.4 APARTMENT KITCHEN ELEVATIONS & DETAILS
- A9.5 APARTMENT KITCHEN ELEVATIONS & DETAILS
- A10.1 FINISH SCHEDULES AND NOTES
- A10.2 DOOR SCHEDULES AND DETAILS
- A10.3 WINDOW SCHEDULE
- A10.4 WINDOW DETAILS
- A10.5 WINDOW/DOOR DETAILS
- A10.6 CANOPY PHOTOGRAPHS
- A10.7 DOOR/CANOPY SECTIONS AND DETAILS

STRUCTURAL

- S0.0 STRUCTURAL NOTES & SPECIFICATIONS
- S0.1 SPECIAL INSPECTION SCHEDULES
- SD1.0 SECOND FLOOR DEMO AND BEAM REPAIR PLAN
- SD1.1 THIRD FLOOR DEMO AND BEAM REPAIR PLAN
- SD1.2 ROOF DEMO AND BEAM REPAIR PLAN
- S1.0 FOUNDATION AND BASEMENT PLANS
- S1.1 SECOND FLOOR & LOW ROOF FRAMING PLAN
- S1.2 THIRD FLOOR FRAMING PLAN
- S1.3 ROOF FLOOR FRAMING PLAN
- S1.4 MECHANICAL FRAMING PLAN
- S2.0 BUILDING SECTIONS
- S2.1 BUILDING SECTIONS
- S3.0 STRUCTURAL DETAILS
- S4.0 ELEVATOR SHAFT SECTIONS AND DETAILS
- S5.0 STAIR SECTIONS AND DETAILS

MECHANICAL

- M1.1 FIRST FLOOR HVAC PLAN
- M1.2 SECOND FLOOR HVAC PLAN
- M1.3 THIRD FLOOR HVAC PLAN
- M1.4 ROOF HVAC PLAN
- M1.5 FIRST FLOOR WASTE AND VENT PLAN
- M1.6 SECOND FLOOR WASTE AND VENT PLAN
- M1.7 THIRD FLOOR WASTE AND VENT PLAN
- M1.8 FIRST FLOOR & BASEMENT DOMESTIC WATER PLAN
- M1.9 SECOND FLOOR DOMESTIC WATER PLAN
- M1.10 THIRD FLOOR DOMESTIC WATER PLAN
- M6.1 SCHEDULES & DIAGRAMS
- M6.2 SCHEDULES & DIAGRAMS
- M6.3 DIAGRAMS & SYMBOLS

ELECTRICAL

- E1.0 SITE ELECTRICAL PLAN
- E1.1 PARTIAL FIRST FLOOR ELECTRICAL PLAN
- E1.2 PARTIAL FIRST FLOOR ELECTRICAL PLAN
- E1.3 PARTIAL SECOND FLOOR ELECTRICAL PLAN
- E1.4 PARTIAL SECOND FLOOR ELECTRICAL PLAN
- E1.5 PARTIAL THIRD FLOOR ELECTRICAL PLAN
- E1.6 PARTIAL THIRD FLOOR ELECTRICAL PLAN
- E1.7 ELECTRICAL ROOF PLAN
- E1.8 PARTIAL FIRST FLOOR SPECIAL SYSTEMS PLAN
- E1.9 PARTIAL FIRST FLOOR SPECIAL SYSTEMS PLAN
- E1.10 PARTIAL SECOND FLOOR SPECIAL SYSTEMS PLAN
- E1.11 PARTIAL SECOND FLOOR SPECIAL SYSTEMS PLAN
- E1.12 PARTIAL THIRD FLOOR SPECIAL SYSTEMS PLAN
- E1.13 PARTIAL THIRD FLOOR SPECIAL SYSTEMS PLAN
- E6.1 ELECTRICAL DIAGRAMS
- E6.2 DIAGRAMS, FIXTURE SCHEDULE AND SYMBOLS
- E6.3 PANEL SCHEDULES



730 N. Ninth St. 1881 Main Street, Suite 301
Salina, KS 67401 Kansas City, MO 64108
785.827.0386 jgr@jgarchitects.com

BUILDING PERMIT & BID SET (1-16-2024)

CODE INFORMATION

OCCUPANCY OVERALL: R-2 MIXED-USE

OCCUPANCY GROUPS: B OFFICE
R APARTMENTS

CONSTRUCTION TYPE: III-B (EXISTING BUILDING)

AREA ALLOWED PER FLOOR: R-2 (S13R) 16,000 SF
(TABLE 506.2)

ACTUAL BUILDING AREA:
BASEMENT 532 SF*
FIRST FLOOR 9,994 SF
SECOND FLOOR 7,117 SF
+ OCCUPIED ROOF 527 SF*
THIRD FLOOR 7,117 SF
TOTAL BLDG AREA 24,228 SF

*BASEMENT AND OCCUPIED ROOF NOT INCLUDED IN OVERALL CALCULATIONS PER 503.1.4 & 506.1.3

ALLOWABLE HEIGHT (S): 60' **ACTUAL HEIGHT:** 52'-8"
(PER IBC TABLE 504.3)

ALLOWABLE STORIES (S): 4 **ACTUAL STORIES:** 3
(PER IBC TABLE 504.4)

FIRE RESISTANCE RATING FOR BUILDING ELEMENTS: III-B
EXTERIOR NON-BEARING WALLS: 1 HOUR*
STRUCTURAL FRAME: 0 HOUR
INTERIOR BEARING WALLS: 0 HOUR
INTERIOR NON-BEARING WALLS: 0 HOUR
FLOOR/CEILING ASSEMBLY: 0 HOUR
CEILING/ROOF ASSEMBLY: 0 HOUR
CORRIDOR (DWELLING UNITS): 1/2 HOUR
SHAFT ENCLOSURE: 2 HOUR
WALLS SEPARATING DWELLING UNITS, OTHER OCCUPANCIES: 1 HOUR
FLR/CLG SEPARATING DWELLING UNITS, OTHER OCCUPANCIES: 1 HOUR

*EXISTING EXTERIOR MASONRY WALLS ARE ASSUMED TO BE NON-BEARING, 2-HR CONSTRUCTION.

ELEVATOR REQUIREMENTS
HOISTWAY OPENING PROTECTION: NOT REQUIRED PER 3006.2.
ELEVATOR HOISTWAY DOES NOT CONNECT MORE THAN 3 STORIES
BUILDING IS EQUIPPED WITH AN AUTOMATIC SPRINKLER SYSTEM
AN APPROVED PICTORIAL SIGN OF A STANDARDIZED DESIGN SHALL BE POSTED ADJACENT TO ELEVATOR CALL STATION ON ALL FLOORS INSTRUCTING OCCUPANTS TO USE THE EXIT STAIRWAYS AND NOT TO USE THE ELEVATORS IN CASE OF FIRE.
PLUMBING AND MECHANICAL SYSTEMS SHALL NOT BE LOCATED IN AN ELEVATOR HOISTWAY ENCLOSURE (EXCEPTIONS: FLR DRAINS, SUMPS & SUMP PUMPS)
OPENINGS SHALL BE SELF-CLOSING OR AUTOMATIC CLOSING BY SMOKE DETECTION.
PENETRATIONS OTHER THAN THOSE NECESSARY FOR THE PURPOSE OF THE SHAFT SHALL NOT BE PERMITTED.
ELEVATORS SHALL BE PROVIDED WITH PHASE I EMERGENCY RECALL OPERATION AND PHASE II EMERGENCY IN-CAR OPERATION IN ACCORDANCE WITH ASME A17.1/CSA B44 (3003.2)
AN AREA OF REFUGE IS NOT REQUIRED IN BUILDINGS EQUIPPED WITH AN AUTOMATIC SPRINKLER SYSTEM. (SECTION 1009.4.2, Exception 2)

OCCUPANCY & INCIDENTAL SEPARATIONS: (NON-SEPARATED USES, PER IBC SEC. 508.3)
WALLS SEPARATING DWELLING AND SLEEPING UNITS SHALL HAVE A FIRE-RESISTIVE RATING NOT LESS THAN 1-HR (SECT. 708.3)
HORIZONTAL ASSEMBLIES SERVING AS DWELLING OR SLEEPING UNIT SEPARATIONS SHALL NOT BE LESS THAN 1-HR RATED. (SECT. 711.2.4.3)
LAUNDRY ROOMS OVER 100 SF - 1 HR RATED

ROOF COVERINGS
CLASS C OR BETTER, (TABLE 1505.1)

DRAFTSTOPPING (SECT. 708.4.2)
FIRE PARTITIONS SHALL EXTEND TO THE UNDERSIDE OF THE ROOF DECK ABOVE.

AUTOMATIC SPRINKLER SYSTEMS
REQUIRED, NFPA 13R SYSTEM PROVIDED

FIRE PUMPS:
WHEN PROVIDED, FIRE PUMPS SHALL BE LOCATED IN ROOM THAT ARE SEPARATED FROM ALL OTHER AREAS BY 2-HR FIRE BARRIER CONSTRUCTION.
EXCEPTION: SEPARATION BY 1-HR FIRE BARRIERS IS PERMITTED IN BUILDINGS EQUIPPED THROUGHOUT WITH AN AUTOMATIC SPRINKLER SYSTEM.

PORTABLE FIRE EXTINGUISHERS
REQUIRED, PROVIDED AS SPECIFIED BY SECTION 906.1:
EACH DWELLING UNIT IS PROVIDED WITH A PORTABLE FIRE EXTINGUISHER HAVING A MINIMUM RATING OF 1-A:10-B:C ON EACH FLOOR (WHILE UNDER CONSTRUCTION)

STANDPIPES:
NOT REQUIRED PER 905.3.1

SMOKE ALARM REQUIREMENTS:
REQUIRED, PROVIDED AS SPECIFIED BELOW ACCORDING TO SECT. 907.2.11.2
- ON THE CEILING OR WALL OUTSIDE EACH SEPARATE SLEEPING AREA
- IN EACH ROOM USED FOR SLEEPING
- ON EACH STORY
SMOKE ALARMS SHALL BE INSTALLED NOT LESS THAN 3 FEET HORIZONTALLY FROM THE DOOR OR OPENING OF A BATHROOM THAT CONTAINS A BATHTUB OR SHOWER UNLESS THIS WOULD PREVENT PLACEMENT AS REQUIRED ABOVE.
WHERE MORE THAN ONE SMOKE ALARM IS REQUIRED, SMOKE ALARMS SHALL BE INTERCONNECTED IN SUCH A MANNER THAT THE ACTIVATION OF ONE ALARM WILL ACTIVATE ALL THE ALARMS.
WIRING AND ALARM SHALL BE EQUIPPED WITH A BATTERY BACKUP.
OCCUPIED ROOF: SHALL BE PROVIDED WITH AUTOMATIC SMOKE DETECTION SYSTEM, A FIRE DEPARTMENT COMMUNICATION SYSTEM AND AN EMERGENCY VOICE/ALARM COMMUNICATION SYSTEM.

FIRE ALARM REQUIREMENTS:
REQUIRED, PROVIDED - MANUAL FIRE ALARM SYSTEM, 907.2.9.1 & NFPA 72
SIGNALING SYSTEM IS AUDIBLE/VISUAL PER NFPA 72 & ADA INSTALLED THROUGHOUT
INITIATING DEVICES: PULL STATIONS
AUTOMATIC SPRINKLER SYSTEM FLOW AND TAMPER SWITCHES MONITORED.

SPECIAL CONDITIONS:
EXIT & EMERGENCY LIGHTING PROVIDED
EGRESS - NO STEPS EXISTING OR PROPOSED AT REQUIRED EXITS

EMERGENCY POWER SOURCE:
EXIT SIGNS, EXIT ILLUMINATION & EMERGENCY LIGHTING IS BY BATTERY BACK-UP

HAZARDOUS MATERIALS: (PER IBC TABLE 307.1(1))
NO HAZARDOUS MATERIALS ARE TO BE STORED

SMOKE CONTROL: SMOKE PARTITIONS:
NOT REQUIRED NOT REQUIRED

EXITING & OCCUPANT LOAD: REFERENCE SHEET CFP2

PROJ. INFORMATION

TYPE OF PROJECT: INTERIOR REMODEL
FACILITY NAME: ROOSEVELT LOFTS
FACILITY ADDRESS: 50 N. CHADBORNE ST. SAN ANGELO, TEXAS 76903
OWNER: OPIC - ROOSEVELT LOFTS PARTNERS, LLC
254 N SANTA FE AVE, STE A SALINA, KS 67401
ph: 913-396-6310

REASON FOR SUBMITTAL: CHANGE IN USE, PRIOR HOTEL TO MULTI-FAMILY HOUSING
COUNTY: TOM GREEN
FIRE DEPARTMENT: CITY OF SAN ANGELO
WATER SUPPLY: CITY OF SAN ANGELO
BUILDING INSPECTION DEPT: CITY OF SAN ANGELO
AUTHORITY HAVING JURISDICTION: CITY OF SAN ANGELO

ARCHITECT: JONES GILLAM RENZ ARCHITECTS, INC.
730 N. NINTH ST. SALINA, KS 67401
ph: 785-827-0386

CODES/REGULATIONS: 2021 INTERNATIONAL BUILDING CODE
2021 INTERNATIONAL MECHANICAL CODE
2021 INTERNATIONAL PLUMBING CODE
2020 NATIONAL ELECTRICAL CODE
2021 INTERNATIONAL FIRE CODE
2021 INTERNATIONAL ENERGY CONSERVATION CODE
FAIR HOUSING ACT DESIGN MANUAL
2010 ADA STANDARDS for ACCESSIBLE DESIGN
2017 ICC A117.1 ACCESSIBLE & USABLE BUILDINGS and FACILITIES

LEGEND

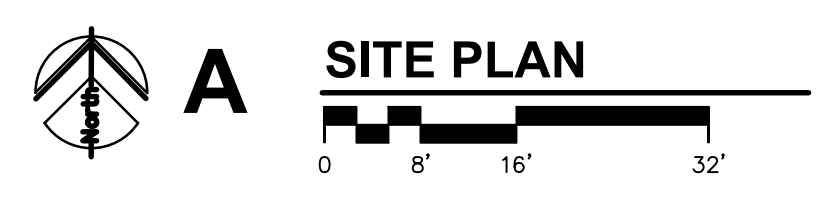
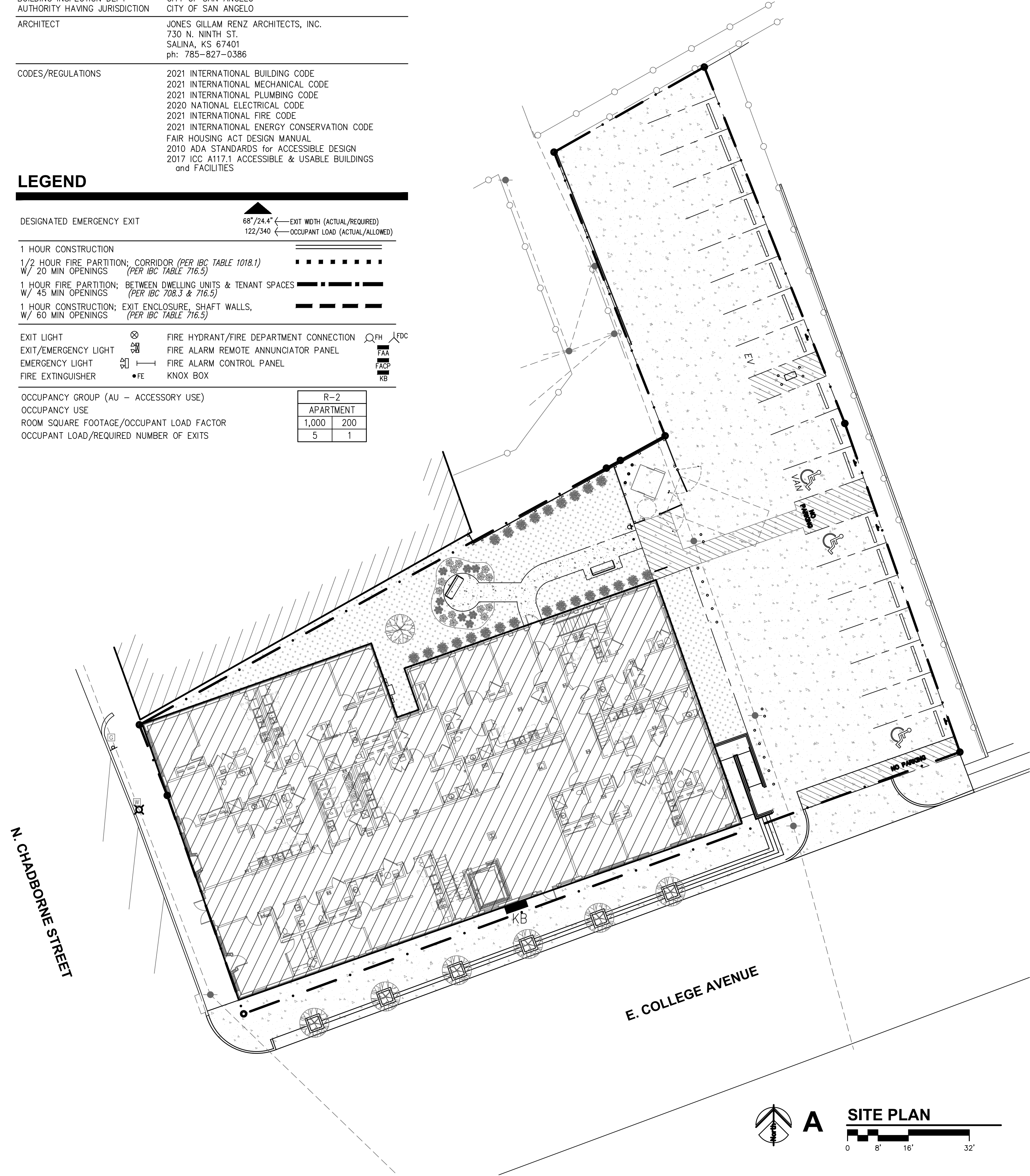
DESIGNATED EMERGENCY EXIT: 68"/24" ← EXIT WIDTH (ACTUAL/REQUIRED)
122/340 ← OCCUPANT LOAD (ACTUAL/ALLOWED)

1 HOUR CONSTRUCTION: [Symbol]
1/2 HOUR FIRE PARTITION; CORRIDOR (PER IBC TABLE 1018.1) W/ 20 MIN OPENINGS (PER IBC TABLE 716.5): [Symbol]
1 HOUR FIRE PARTITION; BETWEEN DWELLING UNITS & TENANT SPACES W/ 45 MIN OPENINGS (PER IBC 708.3 & 716.5): [Symbol]
1 HOUR CONSTRUCTION; EXIT ENCLOSURE, SHAFT WALLS, W/ 60 MIN OPENINGS (PER IBC TABLE 716.5): [Symbol]

EXIT LIGHT: [Symbol]
EXIT/EMERGENCY LIGHT: [Symbol]
EMERGENCY LIGHT: [Symbol]
FIRE EXTINGUISHER: [Symbol]

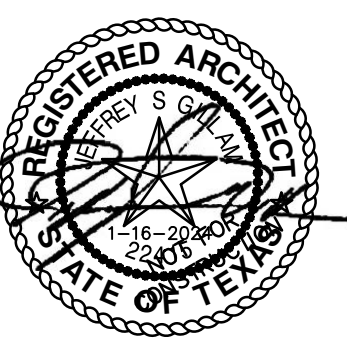
FIRE HYDRANT/FIRE DEPARTMENT CONNECTION: [Symbol]
FIRE ALARM REMOTE ANNUNCIATOR PANEL: [Symbol]
FIRE ALARM CONTROL PANEL: [Symbol]
KNOX BOX: [Symbol]

OCCUPANCY GROUP (AU - ACCESSORY USE): R-2
OCCUPANCY USE: APARTMENT
ROOM SQUARE FOOTAGE/OCCUPANT LOAD FACTOR: 1,000 200
OCCUPANT LOAD/REQUIRED NUMBER OF EXITS: 5 1



JGR
Jones Gillam Renz
1881 Main Street, Suite 301
Salina, KS 67401
785.827.0386
jgr@jgarchitects.com

ROOSEVELT LOFTS
HISTORIC REHABILITATION - APARTMENTS
SAN ANGELO, TEXAS



REVISION: _____
DATE: 1-16-2024
JOB: 22-3281
SHEET NO.:

CFP1

COPYRIGHTED



BP24-0000249
 REVIEWED for code
 compliance
 4/15/2024

LEGEND

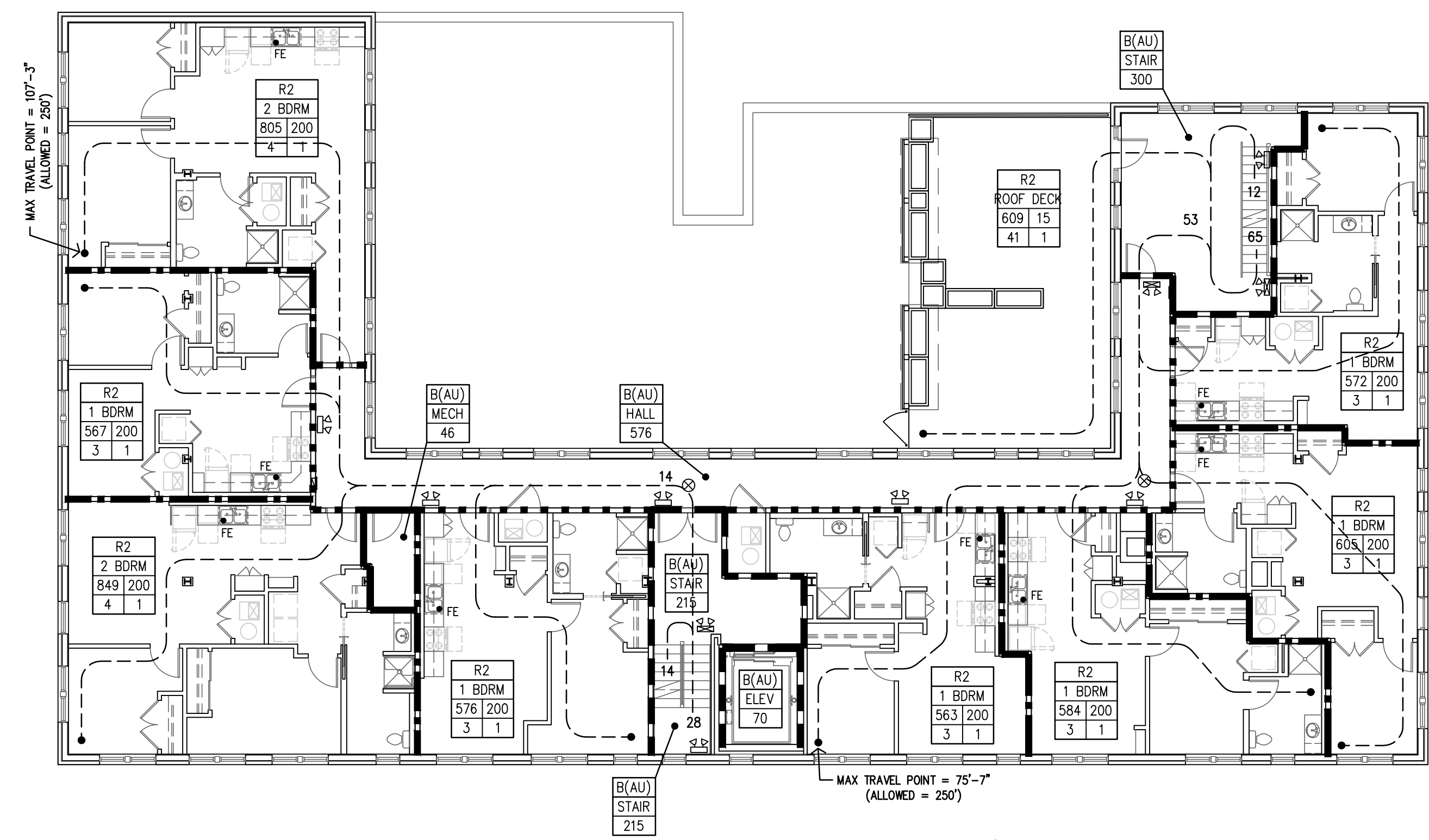
- DESIGNATED EMERGENCY EXIT \blacktriangle EXIT WIDTH (ACTUAL/REQUIRED) 68'/24.4" OCCUPANT LOAD (ACTUAL/ALLOWED) 122/340
- 1 HOUR CONSTRUCTION
 1/2 HOUR FIRE PARTITION, CORRIDOR (PER IBC TABLE 1020.2) W/ 20 MIN OPENINGS (PER IBC TABLE 716.1(2)) \dashv
 1 HOUR FIRE PARTITION, BETWEEN DWELLING UNITS & TENANT SPACES W/ 45 MIN OPENINGS (PER IBC 708.3 & 716.1(2)) \dashv
 1 HOUR CONSTRUCTION, EXIT ENCLOSURE, SHAFT WALLS, W/ 60 MIN OPENINGS (PER IBC TABLE 716.1(2)) \dashv
- EXIT LIGHT \odot FIRE HYDRANT/FIRE DEPARTMENT CONNECTION \odot FHD
 EXIT/EMERGENCY LIGHT \odot FIRE ALARM REMOTE ANNUNCIATOR PANEL \odot FAX
 EMERGENCY LIGHT \odot FIRE ALARM CONTROL PANEL \odot FACP
 FIRE EXTINGUISHER \bullet FE KNOX BOX \bullet KB

OCCUPANCY GROUP (AU - ACCESSORY USE)	R-2
OCCUPANCY USE	APARTMENT
ROOM SQUARE FOOTAGE/OCCUPANT LOAD FACTOR	1,000 200
OCCUPANT LOAD/REQUIRED NUMBER OF EXITS	5 1

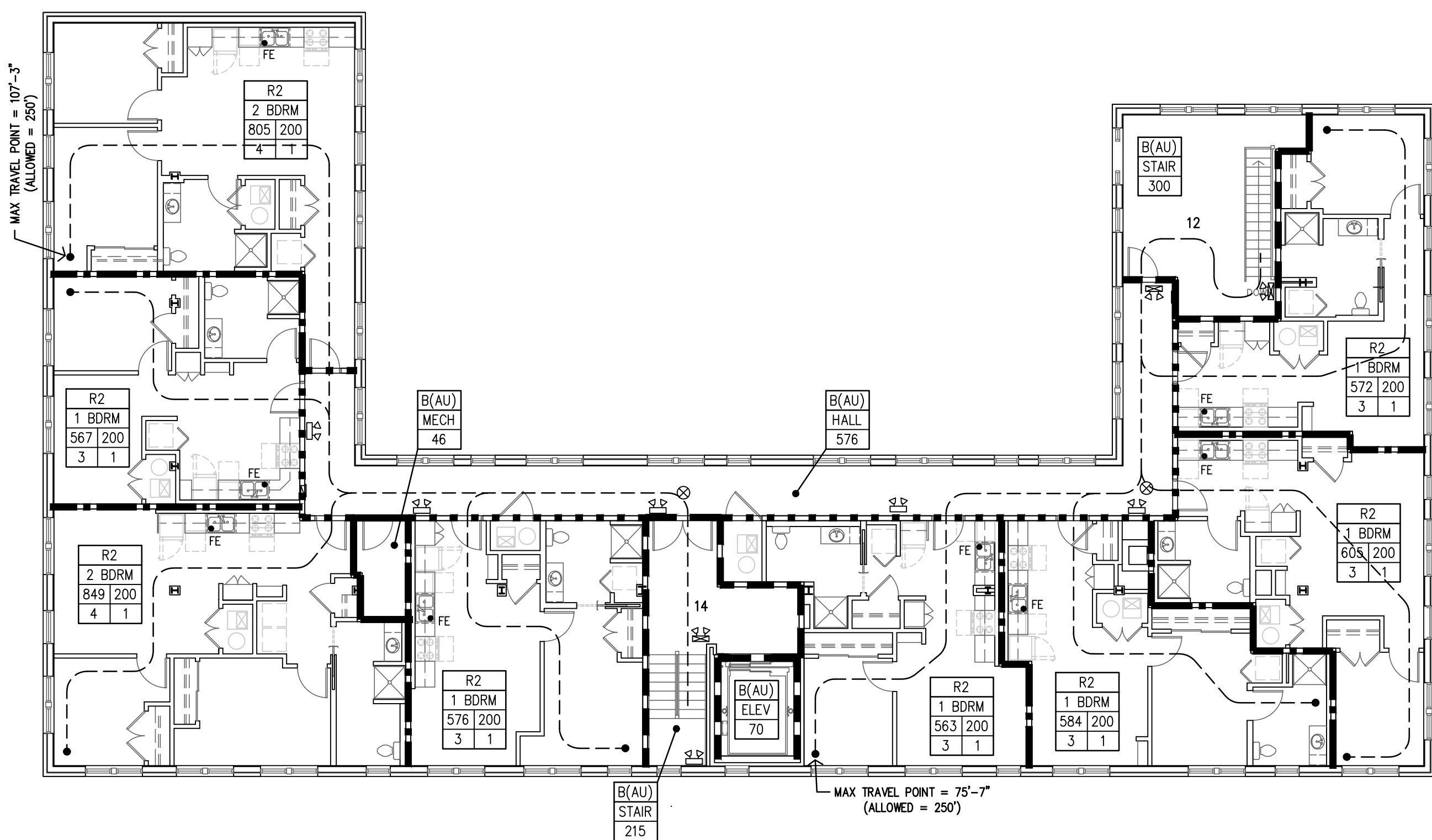
EXITING: REF PLANS ON THIS SHEET
 OCCUPANT LOAD: 187 TOTAL
 FIRST FLOOR: 94 TOTAL
 SECOND FLOOR: 67 TOTAL
 THIRD FLOOR: 26 TOTAL

OCCUPANT LOAD FACTORS:

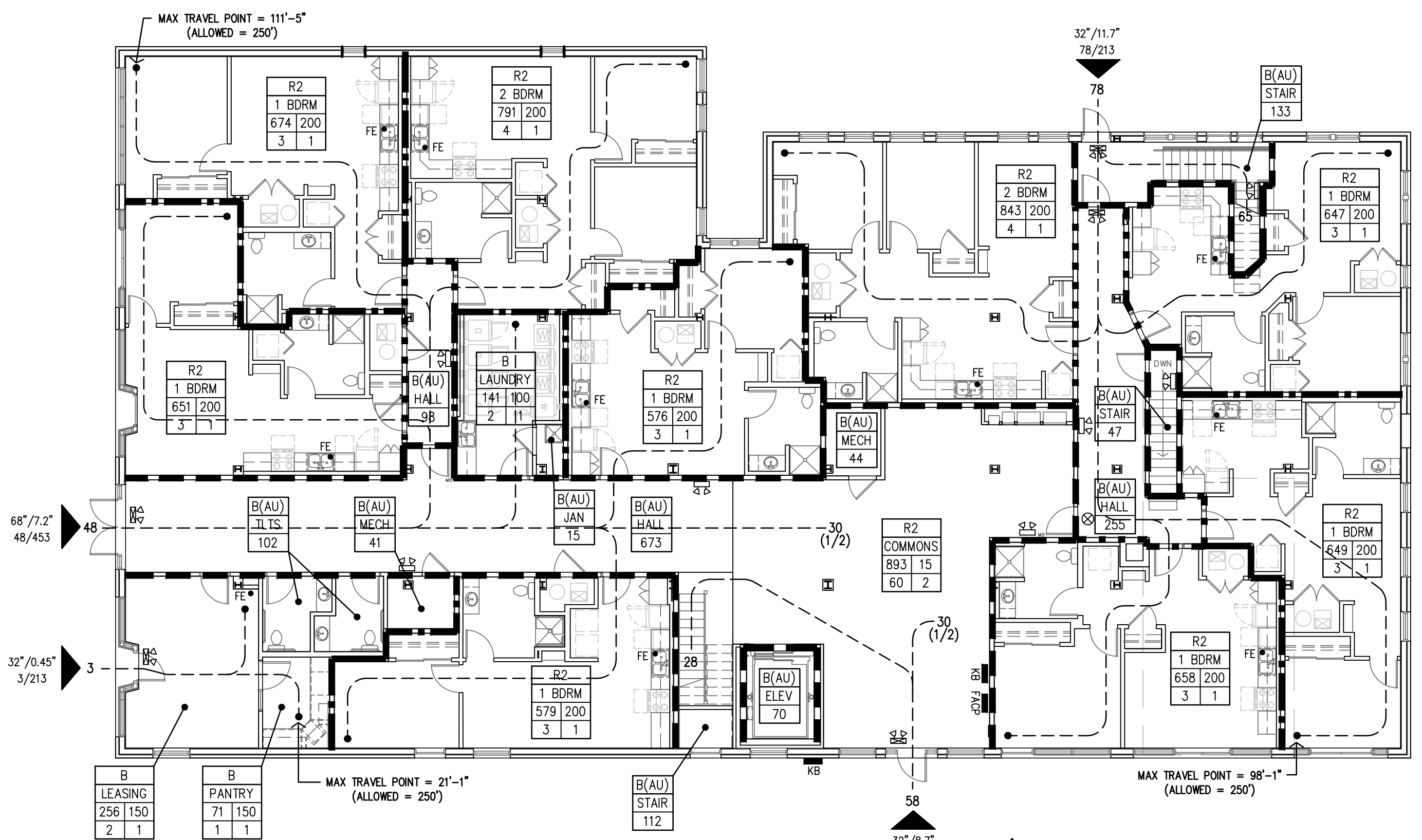
OCCUPANCY	USE	LOAD FACTOR	MAX. OCC LD=1 EXIT
B	COMMONS	15 sf/OCCUPANT	49
B	OFFICE	100 sf/OCCUPANT	49
B	MECH/ELEC	300 sf/OCCUPANT	49
R-2	APARTMENT	200 sf/OCCUPANT	10



B SECOND FLOOR PLAN
 3/32"=1'-0"



C THIRD FLOOR PLAN
 3/32"=1'-0"

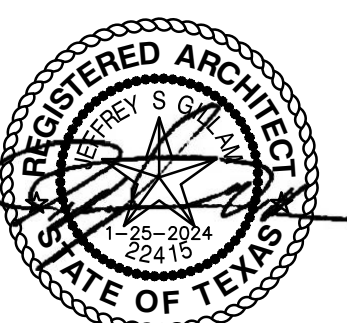


A FIRST FLOOR PLAN
 3/32"=1'-0"

JonesGillamRenz
 1881 Main Street, Suite 301
 Kansas City, MO 64108
 jgr@jgarchitects.com



ROOSEVELT LOFTS
 HISTORIC REHABILITATION - APARTMENTS
 SAN ANGELO, TEXAS



REVISION:
 2-23-2024

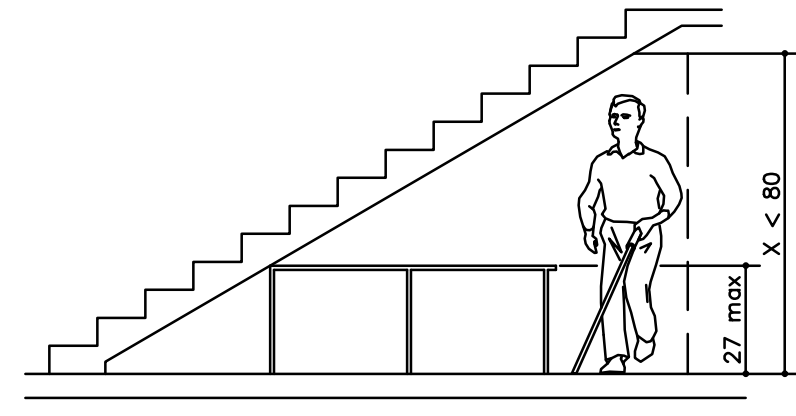
DATE: 1-16-2024
 JOB: 22-3281
 SHEET NO.:

CFP2

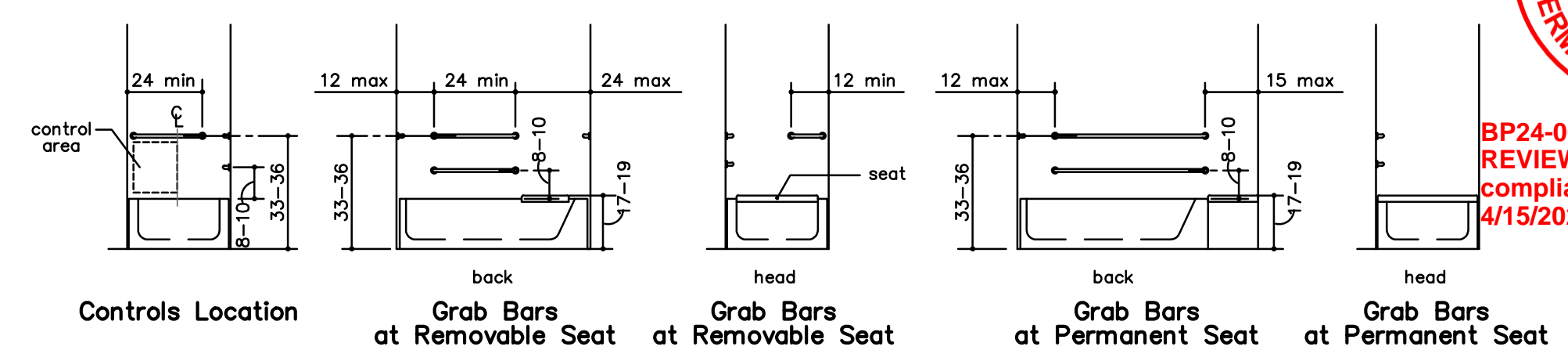
COPYRIGHTED



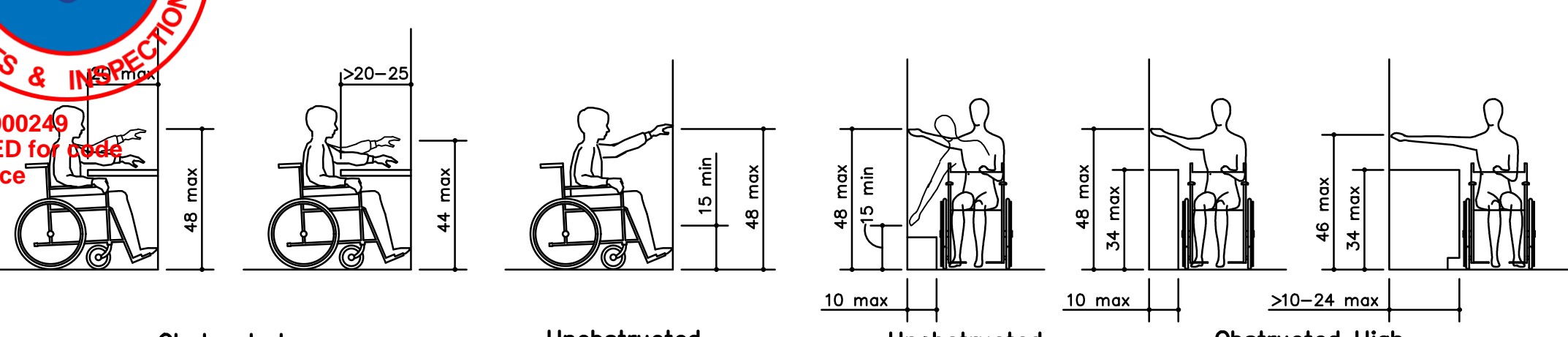
BP24-0000249
REVIEWED FOR ADA
COMPLIANCE
4/15/2024



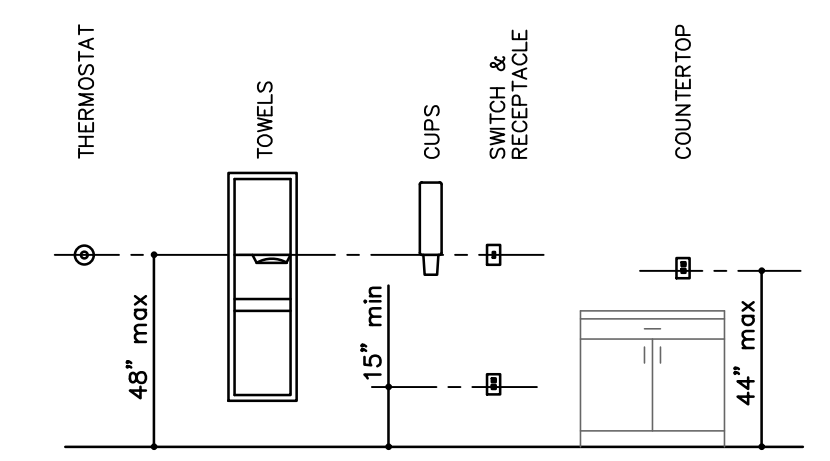
Vertical Clearance



Controls Location
Grab Bars at Removable Seat
Grab Bars at Permanent Seat

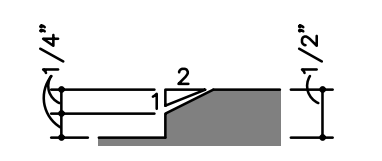


Obstructed High Forward Reach
Unobstructed Forward Reach
Unobstructed Side Reach
Obstructed High Side Reach



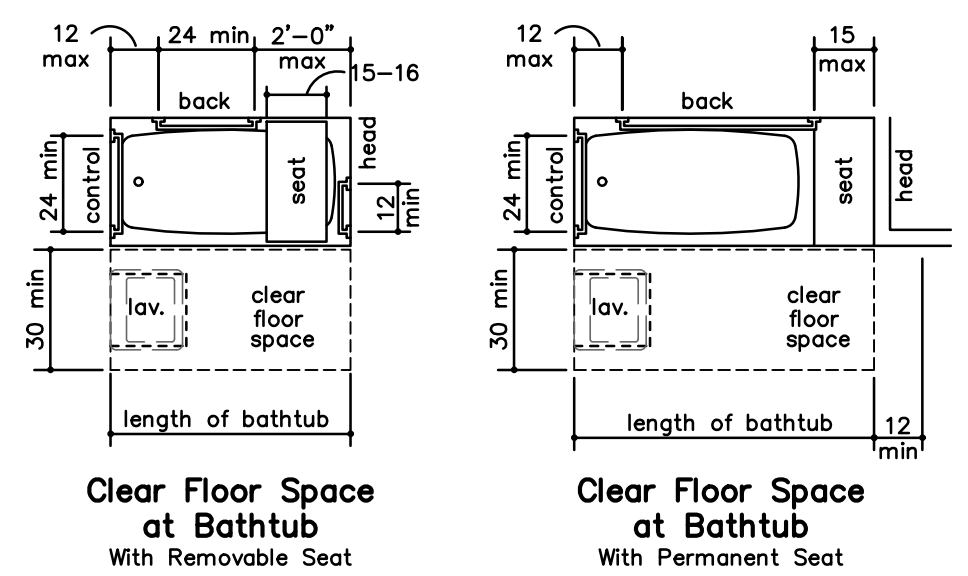
STANDARD CONTROL REACH LIMITATIONS DETAILS

S STANDARD VERTICAL CLEARANCE
NO SCALE

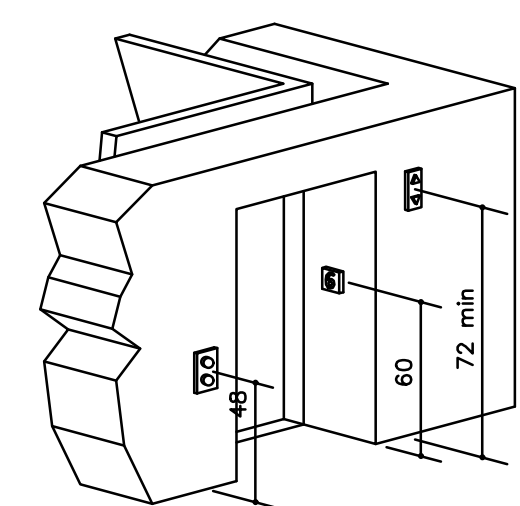


Beveled Change in Level

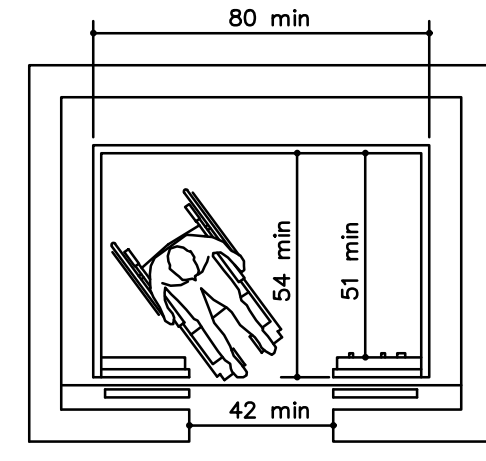
P THRESHOLD ADA DIAGRAMS
NO SCALE



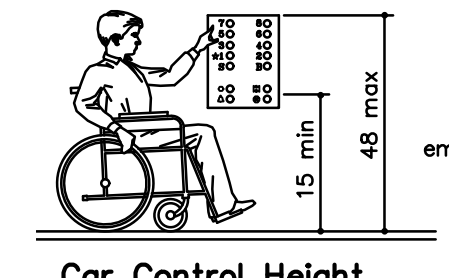
Clear Floor Space at Bathtub
With Removable Seat
Clear Floor Space at Bathtub
With Permanent Seat



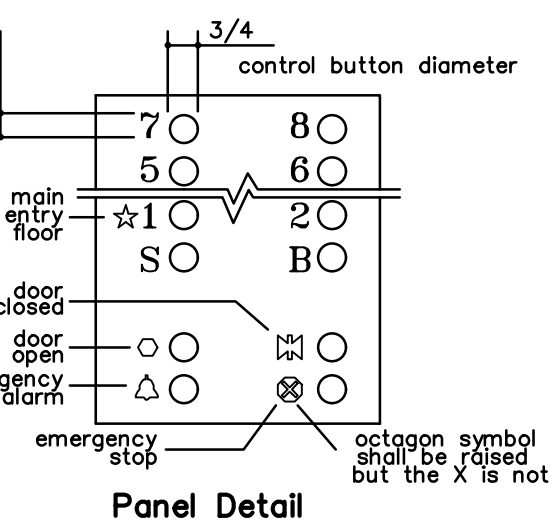
Hoistway and Elevator Entrances



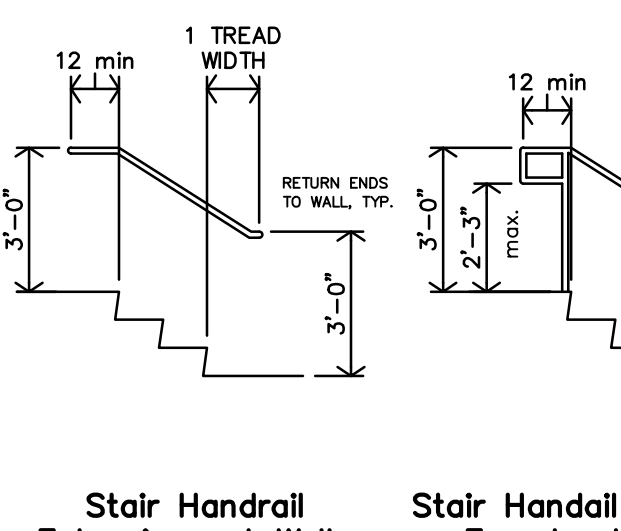
Minimum Dimensions for Elevator Car



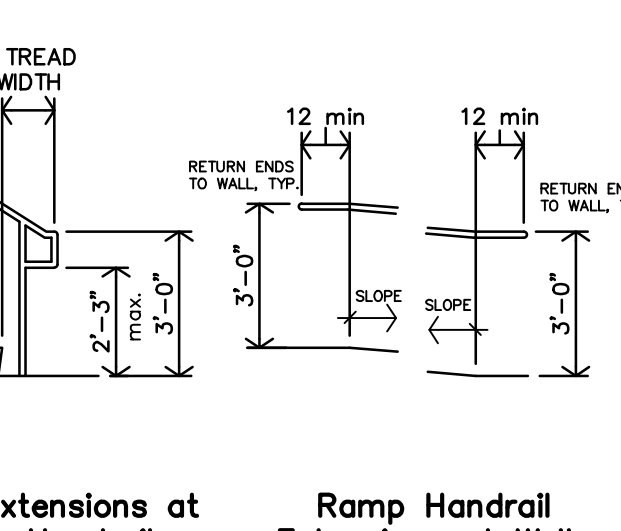
Car Control Height



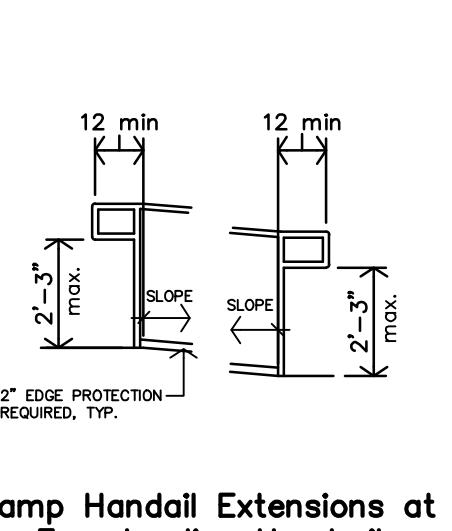
Panel Detail



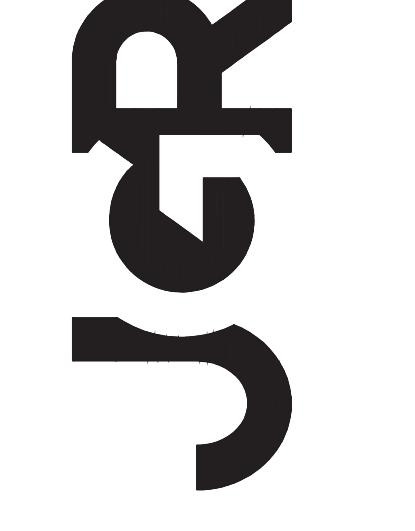
Stair Handrail Extensions at Walls



Stair Handrail Extensions at Freestanding Handrails

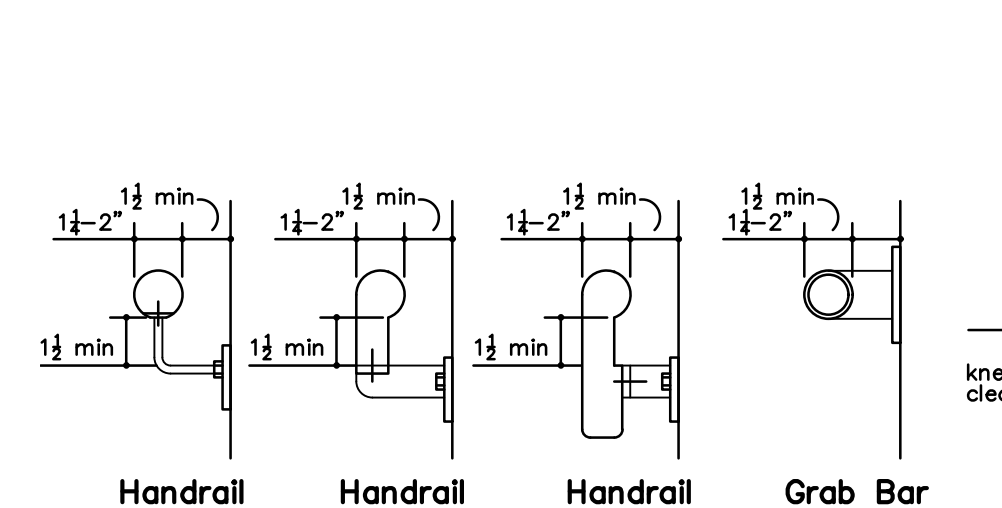


Ramp Handrail Extensions at Walls

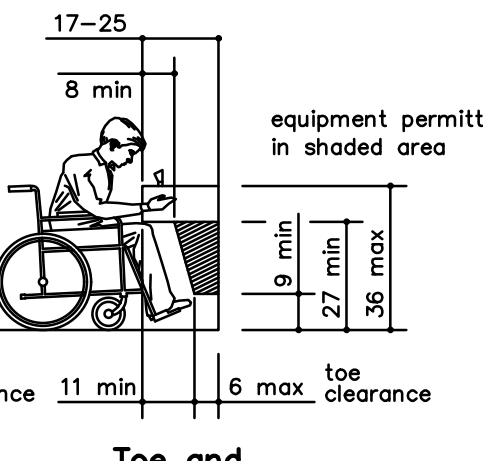


Ramp Handrail Extensions at Freestanding Handrails

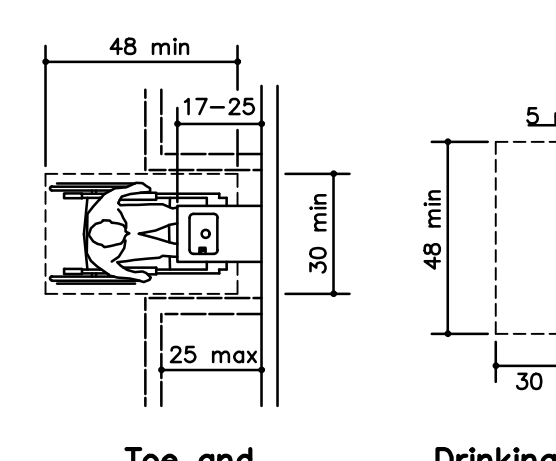
N STANDARD ELEVATOR ADA DIAGRAMS
NO SCALE



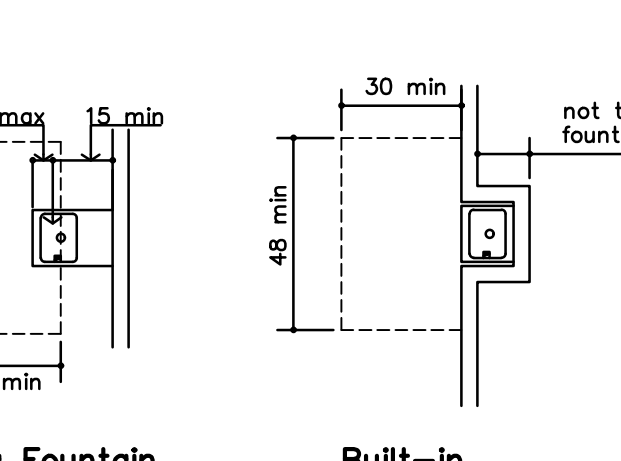
Standard Handrail/Grab Bar Details



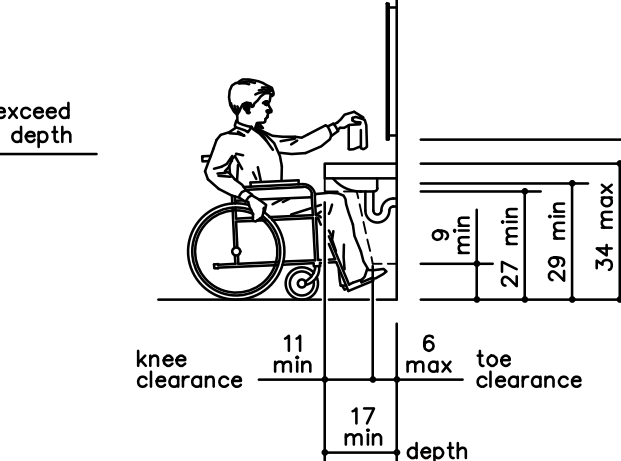
Toe and Knee Clearance Elevation



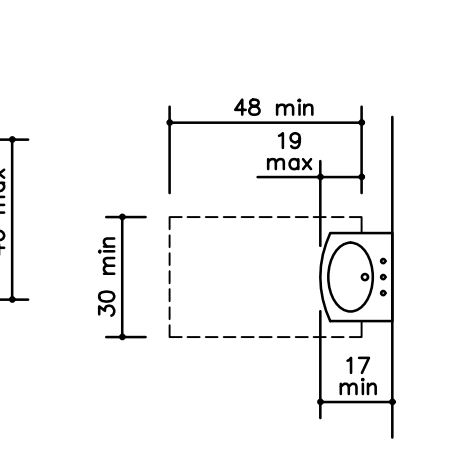
Toe and Knee Clearance Plan



Drinking Fountain Spout Location

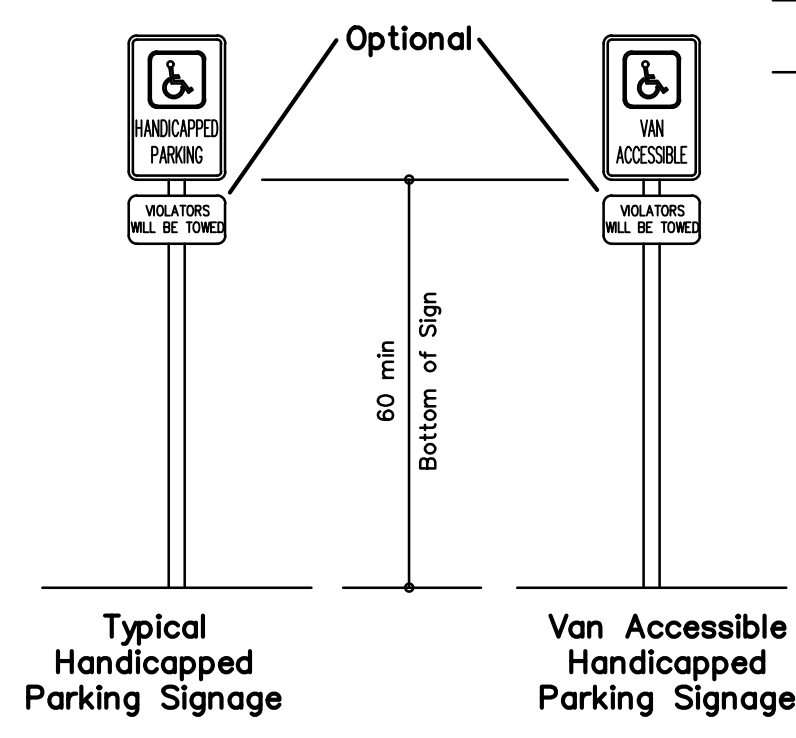


Built-in Fountain or Cooler

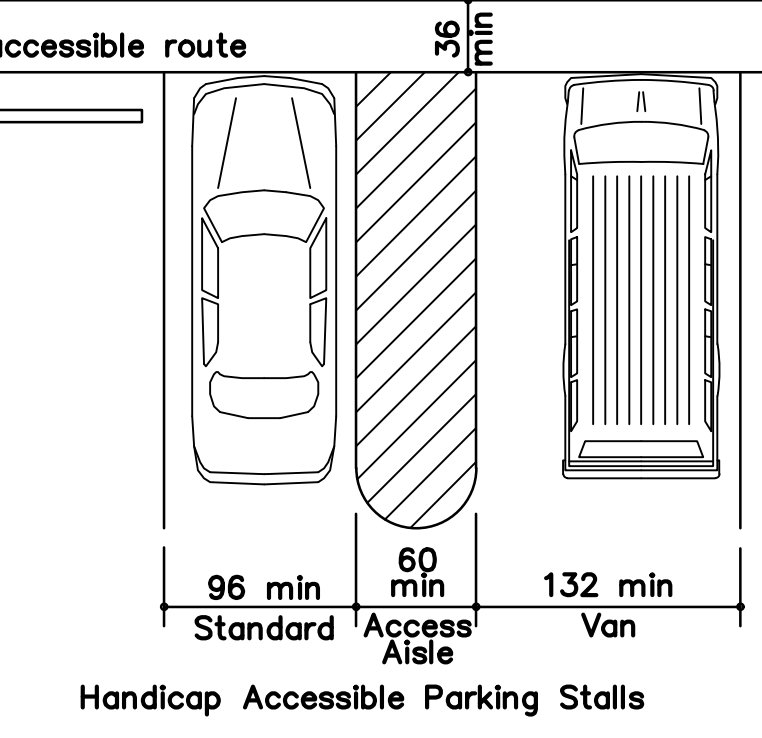


Lavatory Clearances at Lavatories

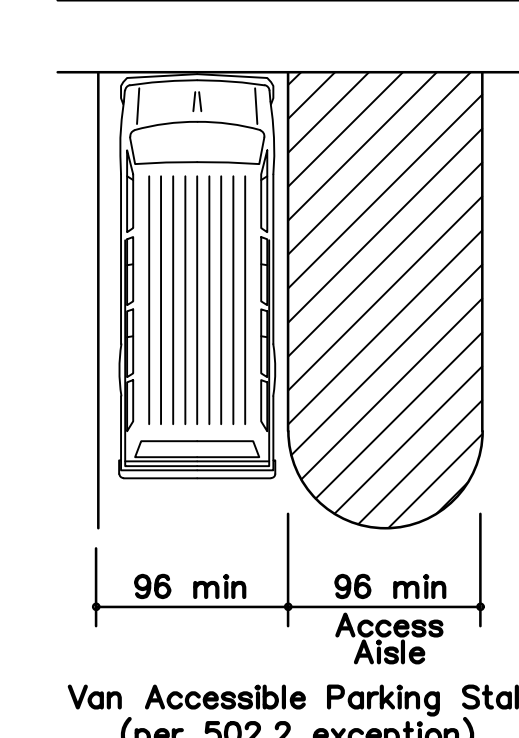
M STANDARD RAMP/STAIR HANDRAIL EXTENSIONS
NO SCALE



Typical Handicapped Parking Signage
Van Accessible Handicapped Parking Signage

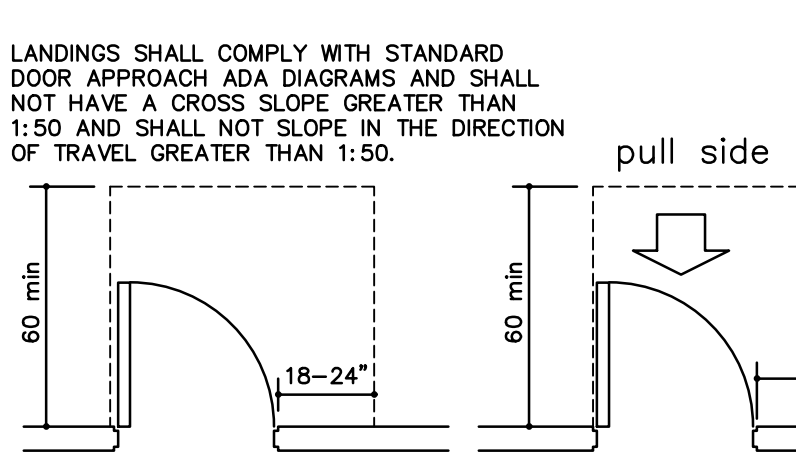


Handicap Accessible Parking Stalls

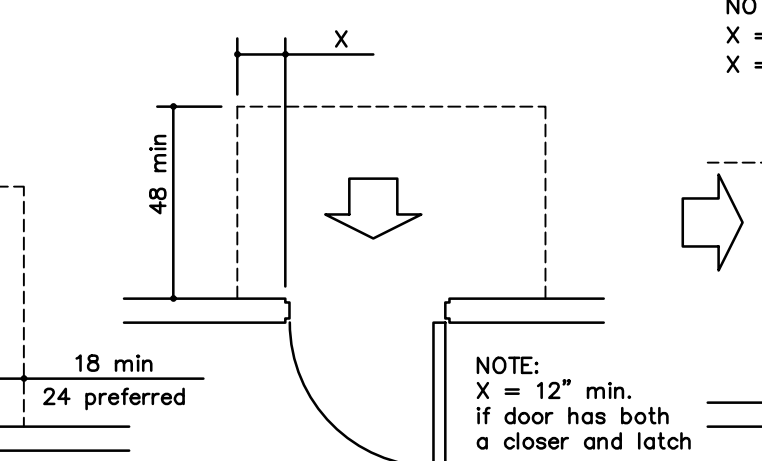


Van Accessible Parking Stall (per 502.2 exception)

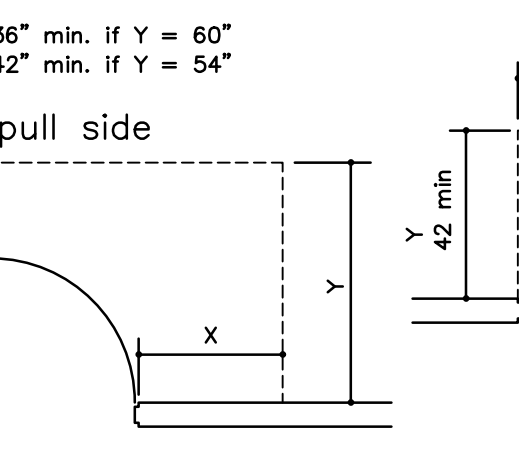
L STANDARD PARKING ADA DIAGRAMS
NO SCALE



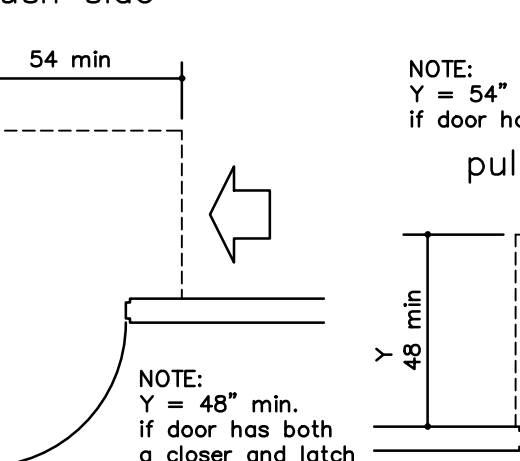
Exterior Landing



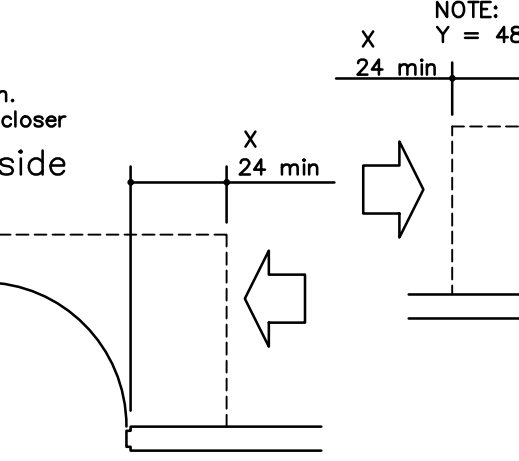
Front Approach - Swinging Door



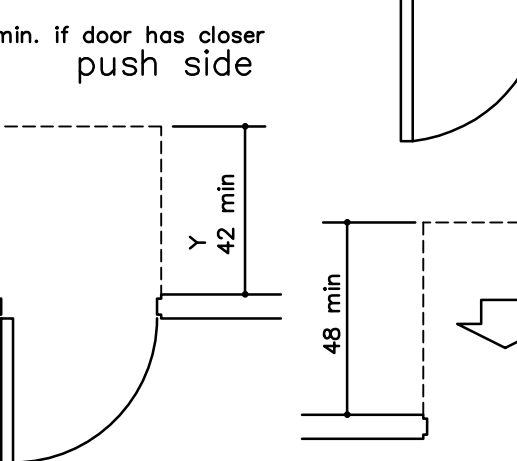
Hinge Side Approach - Swinging Door



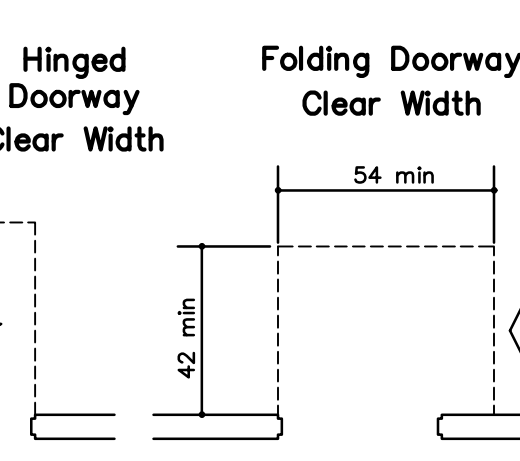
Side Approach - Swinging Door



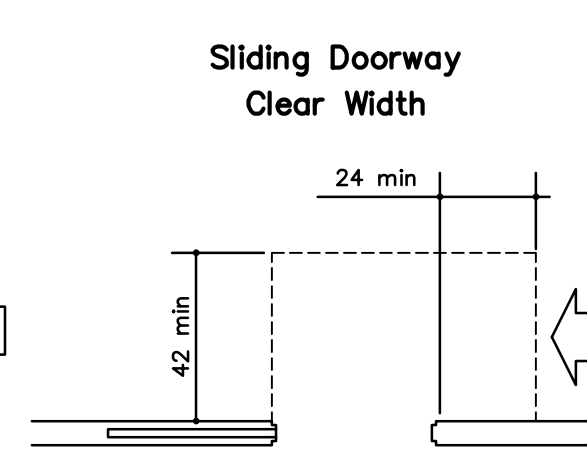
Latch Side Approach - Swinging Door



Front Approach - Sliding or Folding Doors

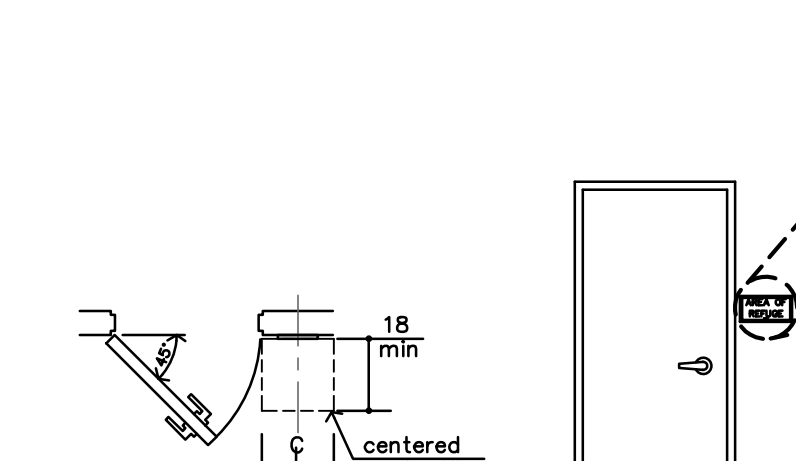


Side Approach - Sliding or Folding Doors

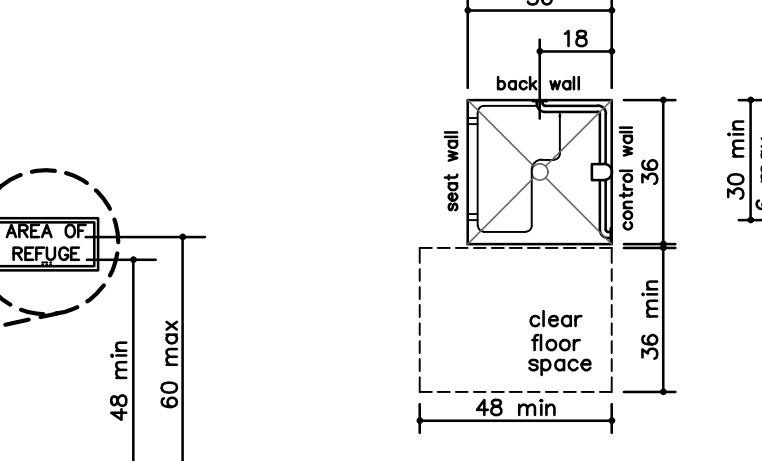


Stop or Latch Side Approach - Sliding or Folding Doors

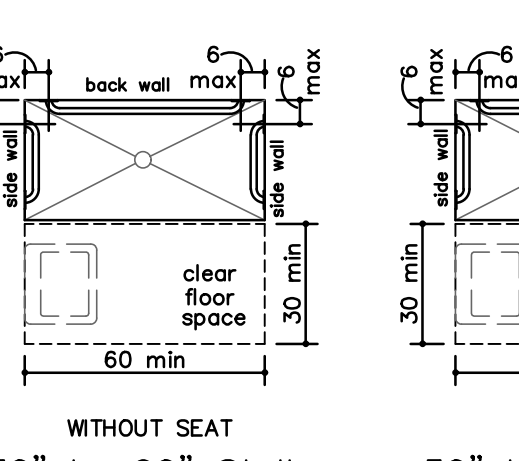
G STANDARD DOOR APPROACH ADA DIAGRAMS
NO SCALE



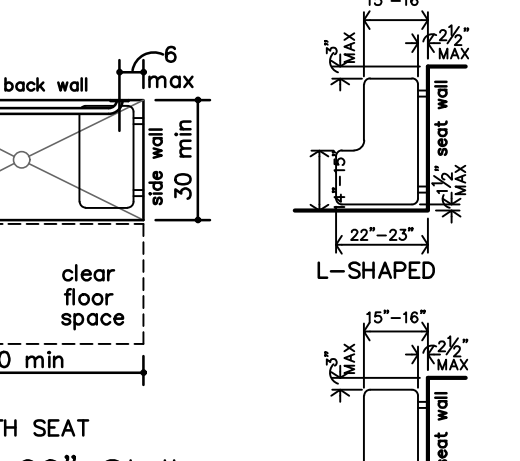
Location of Tactile Signs at Doors



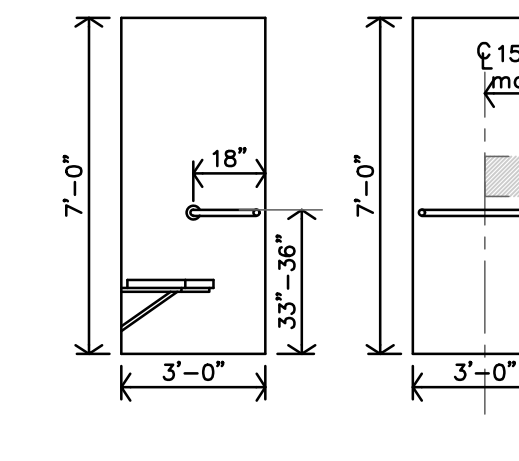
Height of Tactile Signs above Finish Floors



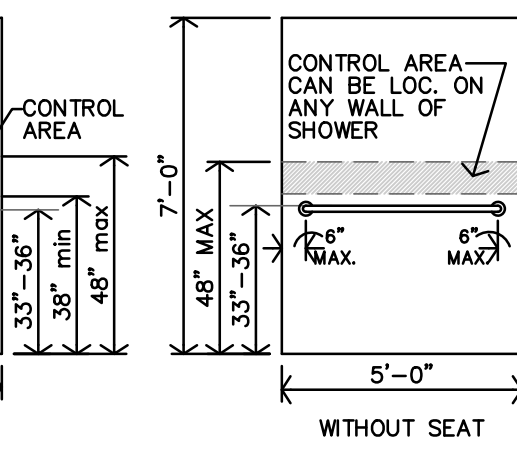
36" by 36" Stall Shower Size and Clearances



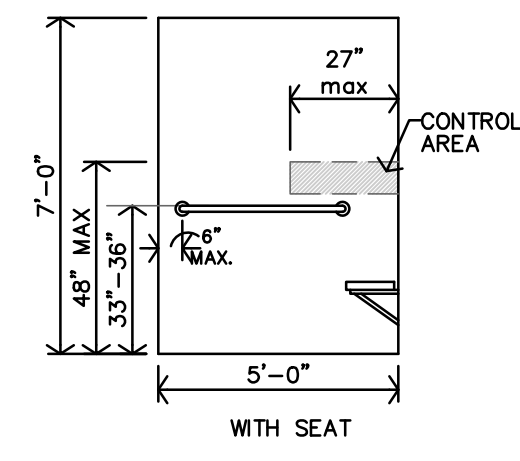
30" by 60" Stall Type Shower Compartment Size and Clearance



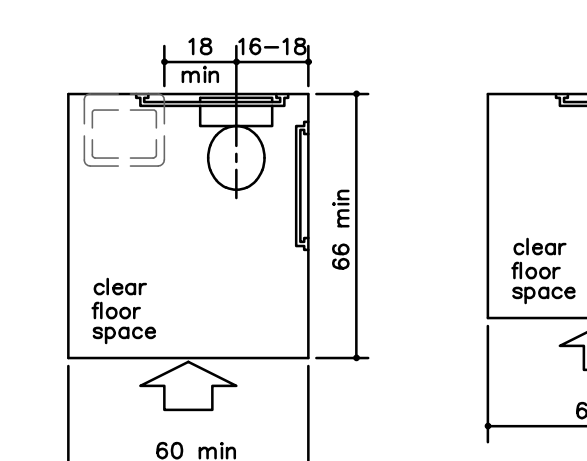
36" by 36" Stall Grab bars at Shower Stall



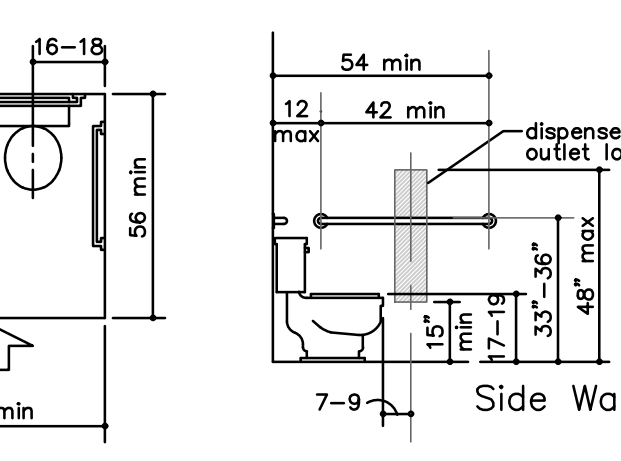
30" by 60" Stall Grab bars at Shower Stall



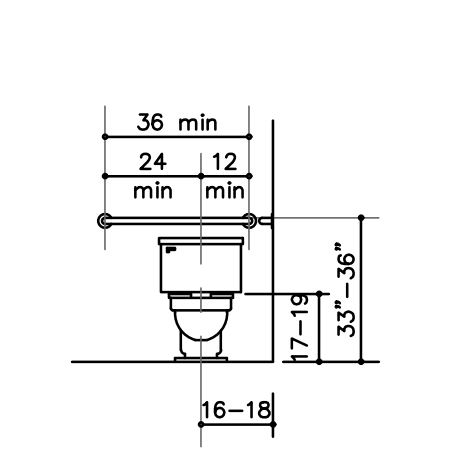
30" by 60" Stall Grab bars at Shower Stall



Overlap of Water Closet Clearance in Residential Dwelling Units (Exception)



Clear Floor Space at Water Closet

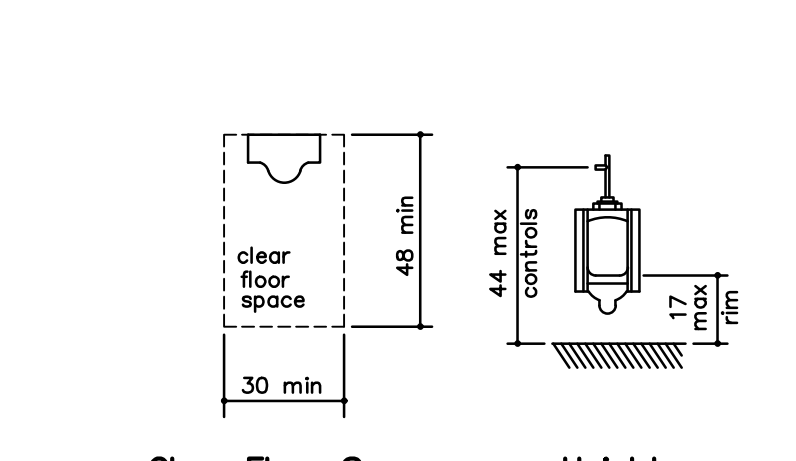


Grab Bars at Water Closets

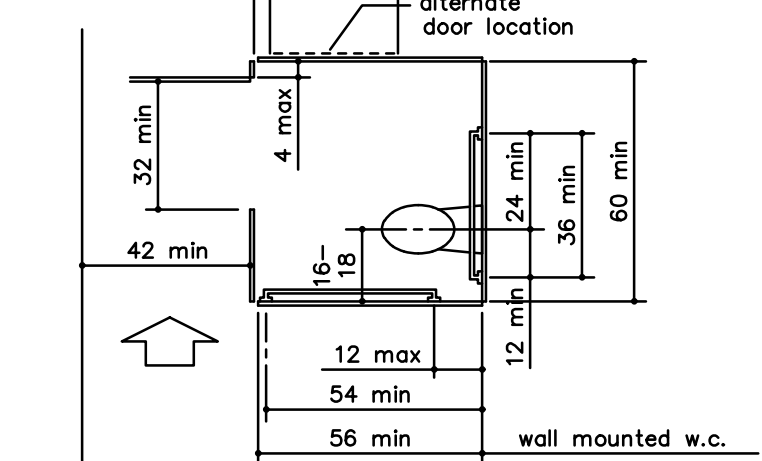


Back Wall of Standard Stall

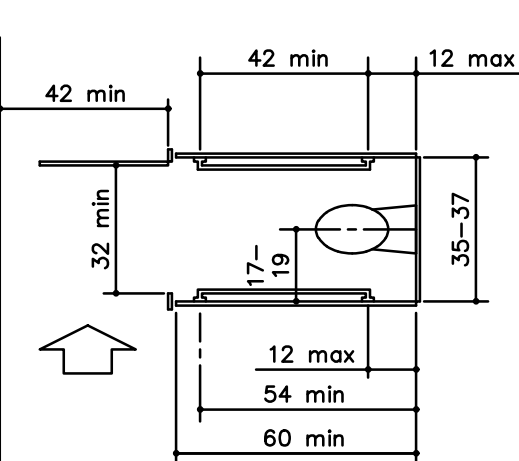
F TACTILE SIGN DIAGRAM
NO SCALE



Clear Floor Space at Urinal
Heights at Urinal



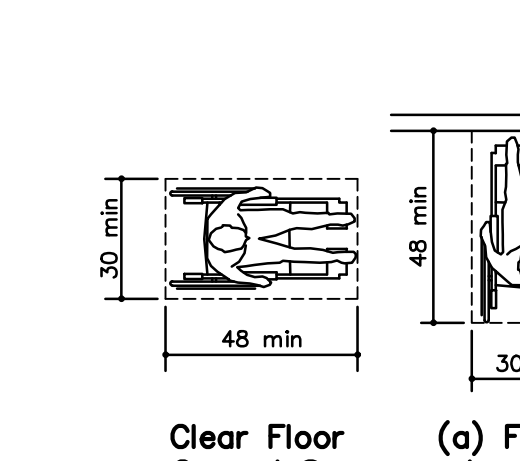
Wheelchair Accessible Toilet Compartment



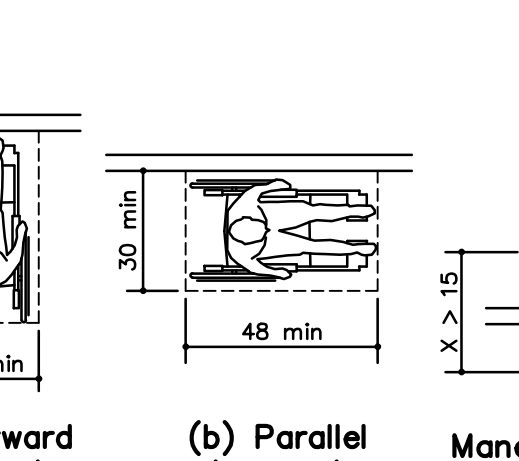
Ambulatory Accessible Toilet Compartment

C STANDARD URINAL ADA DIAGRAMS
NO SCALE

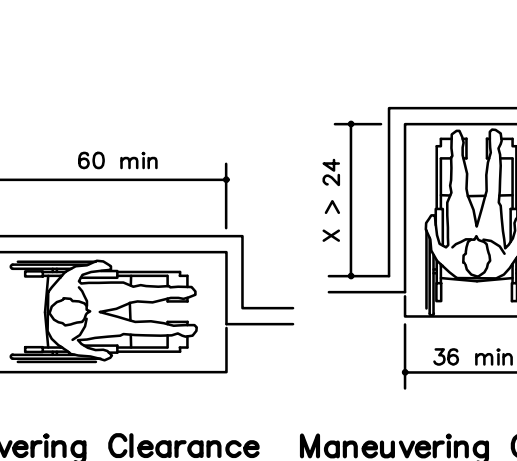
B STANDARD TOILET STALL ADA DIAGRAMS
NO SCALE



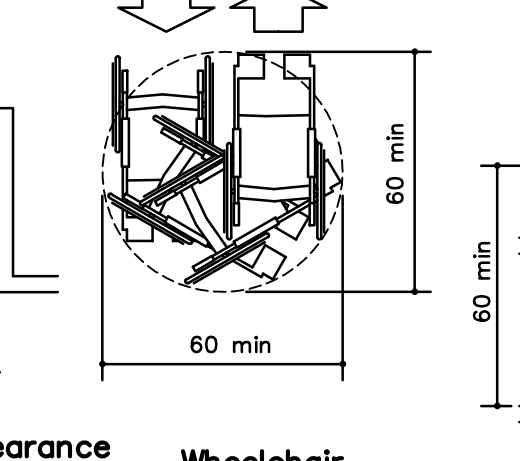
Clear Floor or Ground Space



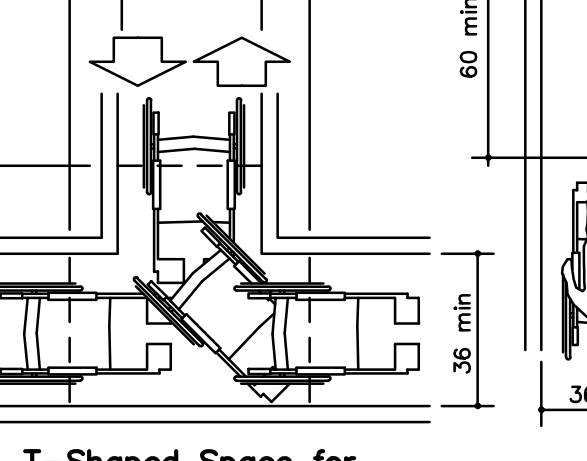
(a) Forward Approach



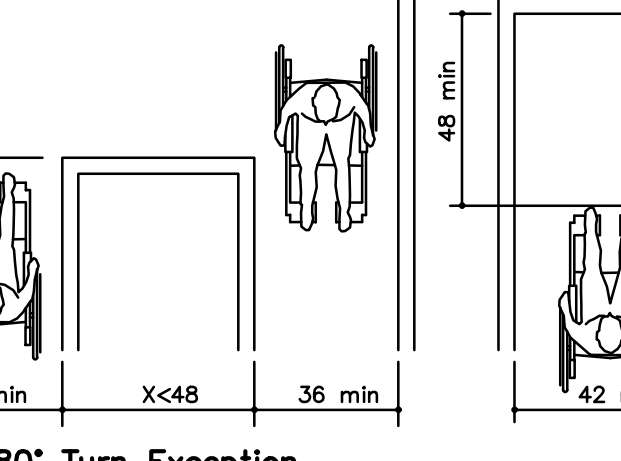
(b) Parallel Approach



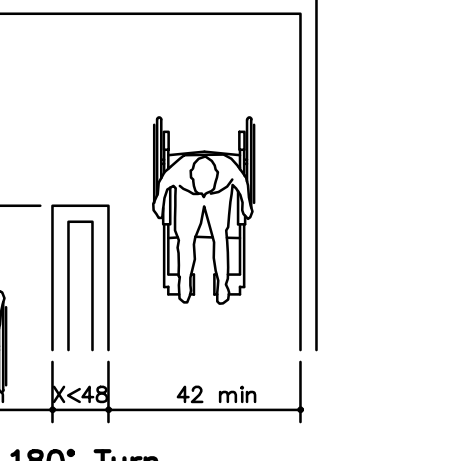
Maneuvering Clearance in an Alcove, Parallel Approach



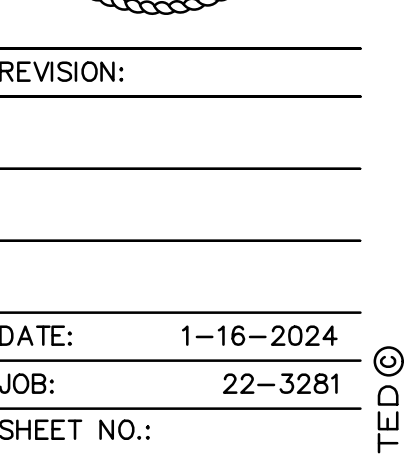
Maneuvering Clearance in an Alcove, Forward Approach



Wheelchair Turning Space



T-Shaped Space for 180 Degree Turns



180 Degree Turn Exception



180 Degree Turn

C STANDARD URINAL ADA DIAGRAMS
NO SCALE

B STANDARD TOILET STALL ADA DIAGRAMS
NO SCALE

A STANDARD ADA DIAGRAMS
NO SCALE

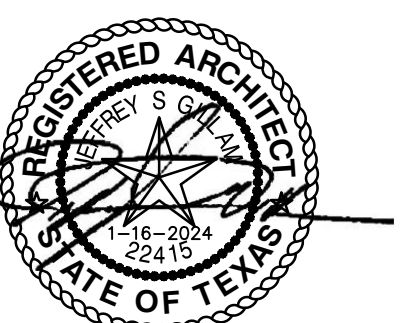
FOR REFERENCE ONLY

ADA

JonesGillamRenz
1881 Main Street, Suite 301
Salina, KS 67401
Kansas City, MO 64108
785.827.0386
jgr@jgarchitects.com

JGR

ROOSEVELT LOFTS
HISTORIC REHABILITATION - APARTMENTS
SAN ANGELO, TEXAS



REVISION:
DATE: 1-16-2024
JOB: 22-3281
SHEET NO.:

COPYRIGHTED



BP24-0000249
 REVIEWED for code
 compliance
 4/15/2024

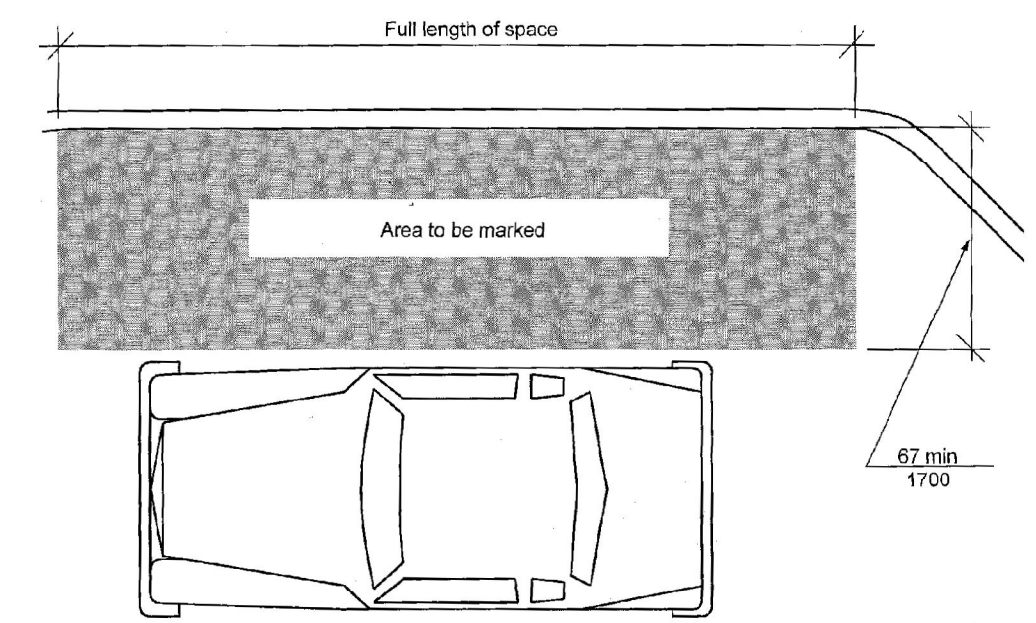
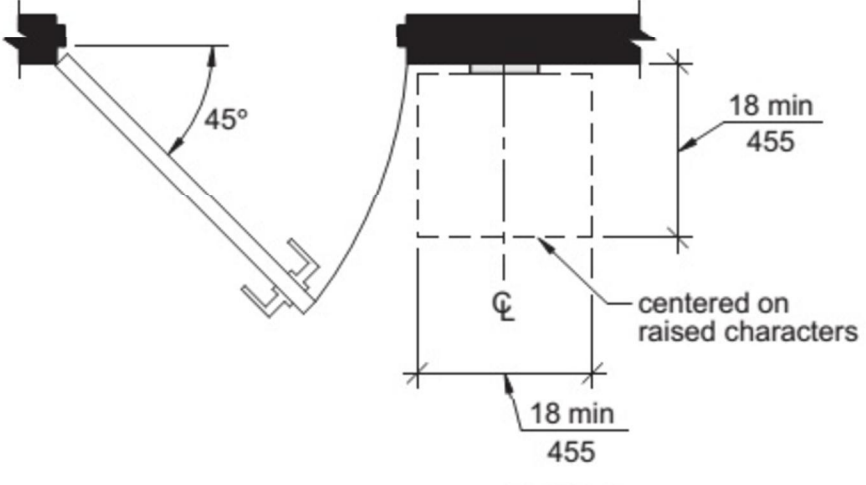
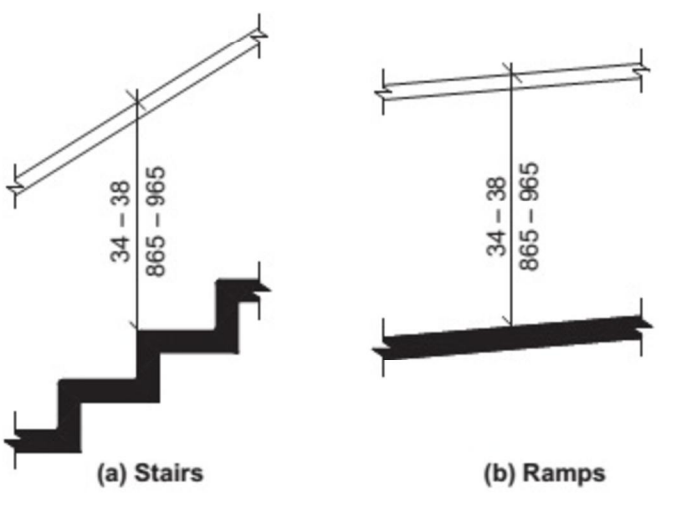


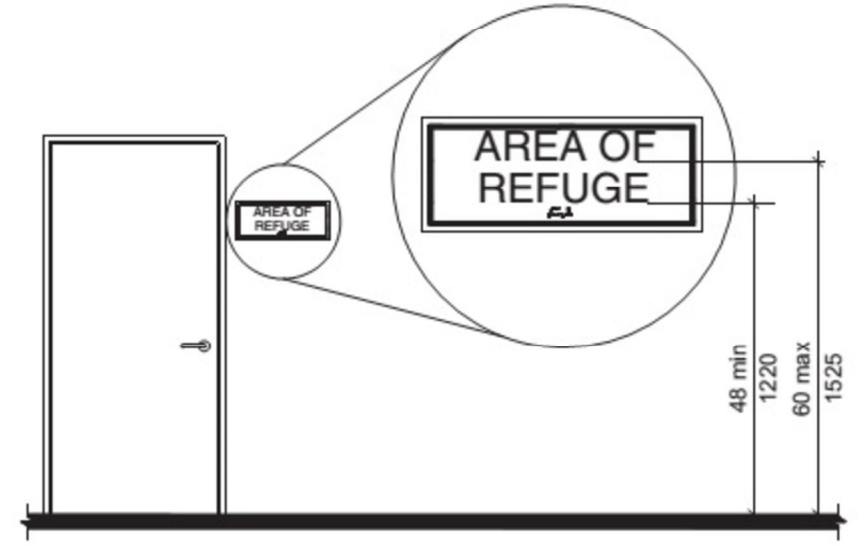
FIGURE 603.3(A)
 PASSENGER LOADING ZONE ACCESS AISLE - NEW BUILDINGS
P PASSENGER LOADING ZONE (Section 503)
 NO SCALE



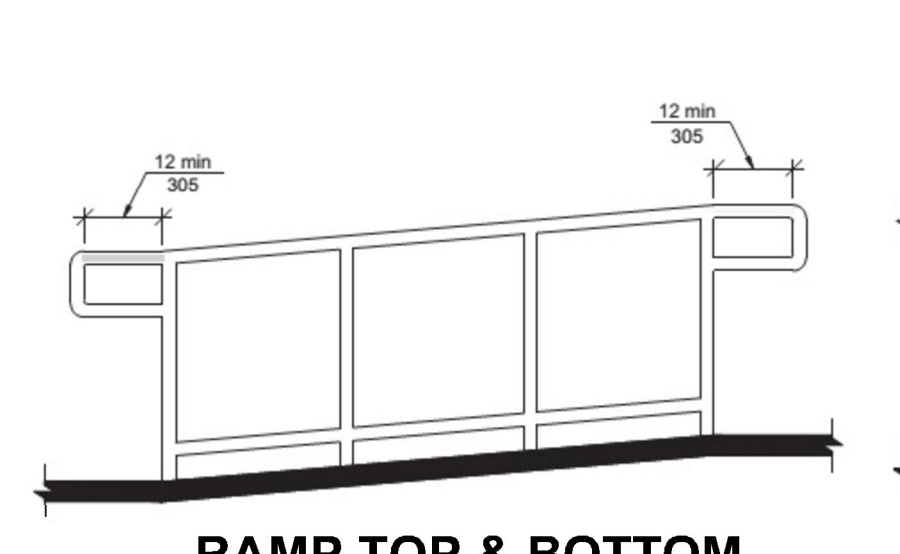
U HANDRAIL CROSS SECTION (Section 505)
 NO SCALE



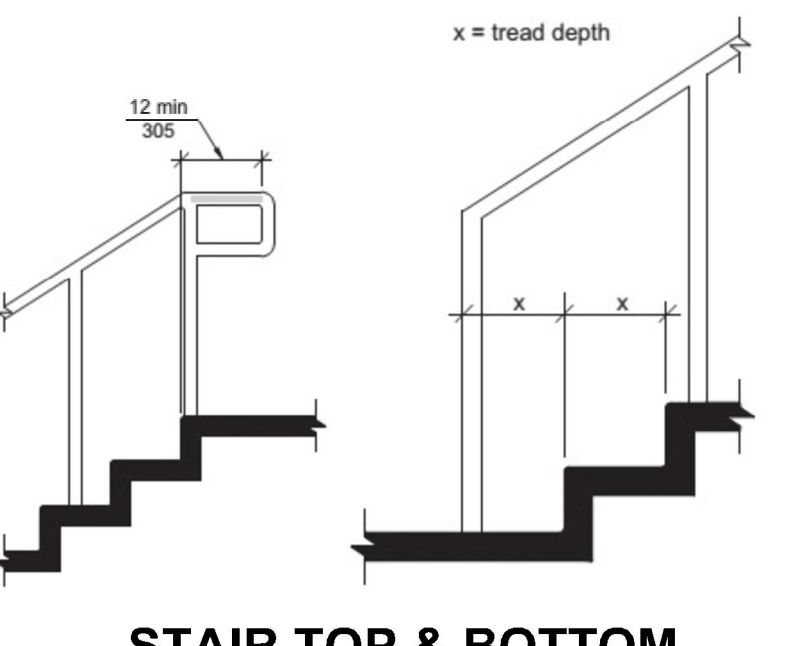
S HANDRAIL HEIGHT (Section 505)
 NO SCALE



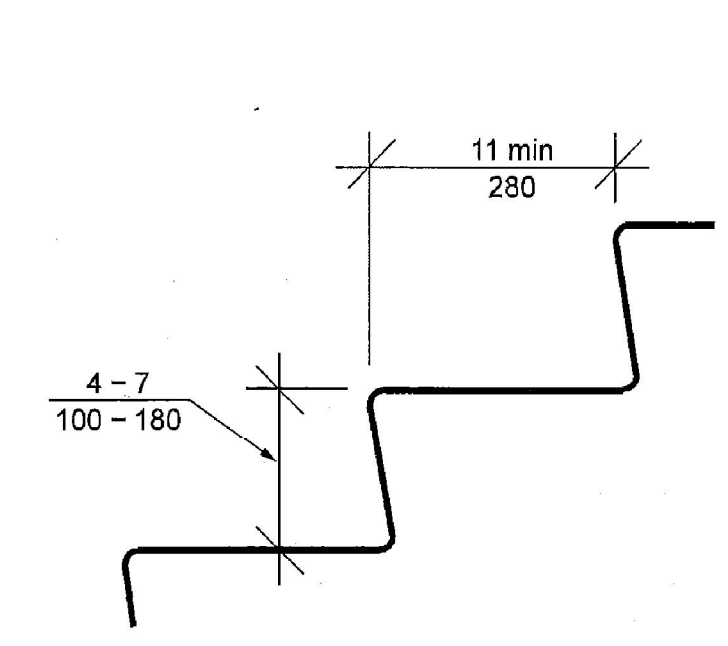
V SIGNAGE (Section 703)
 NO SCALE



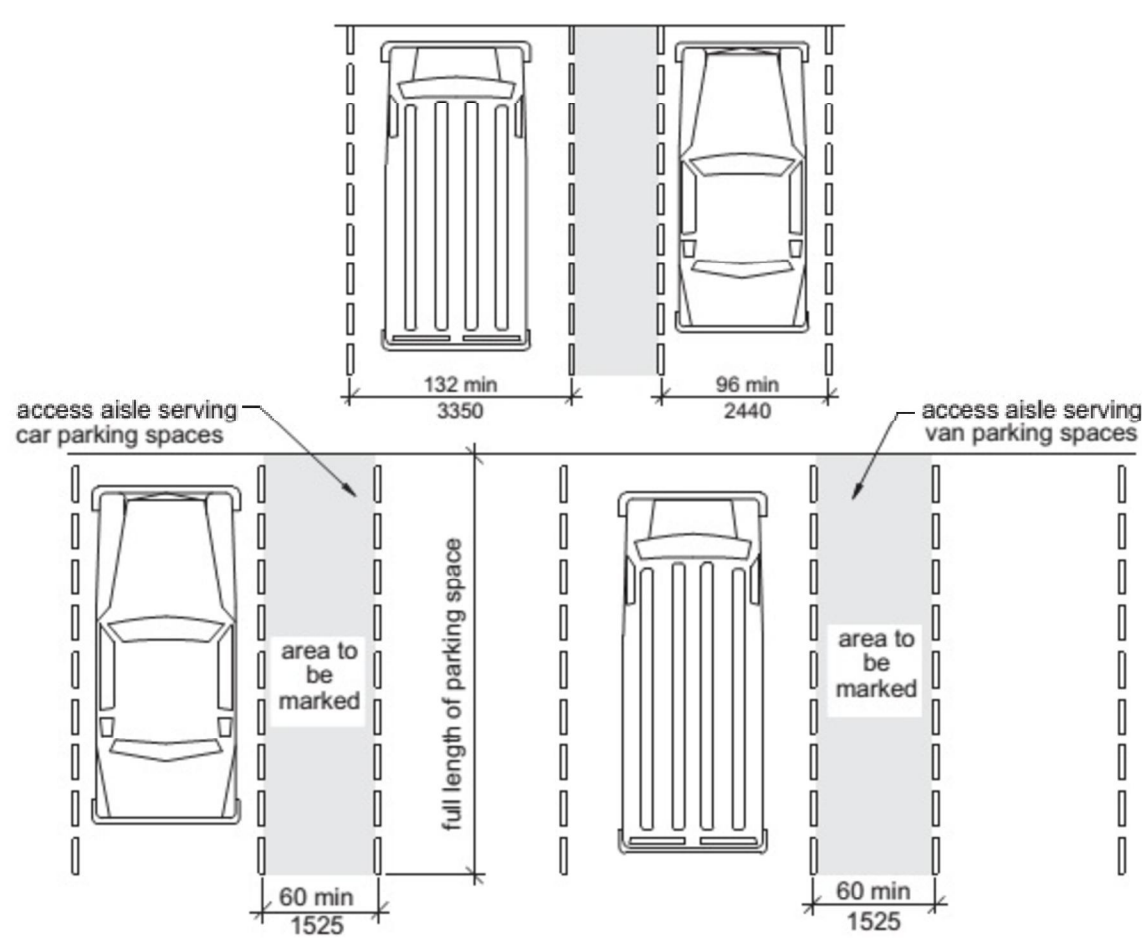
T RAMP TOP & BOTTOM HANDRAIL EXTENSION (Section 505)
 NO SCALE



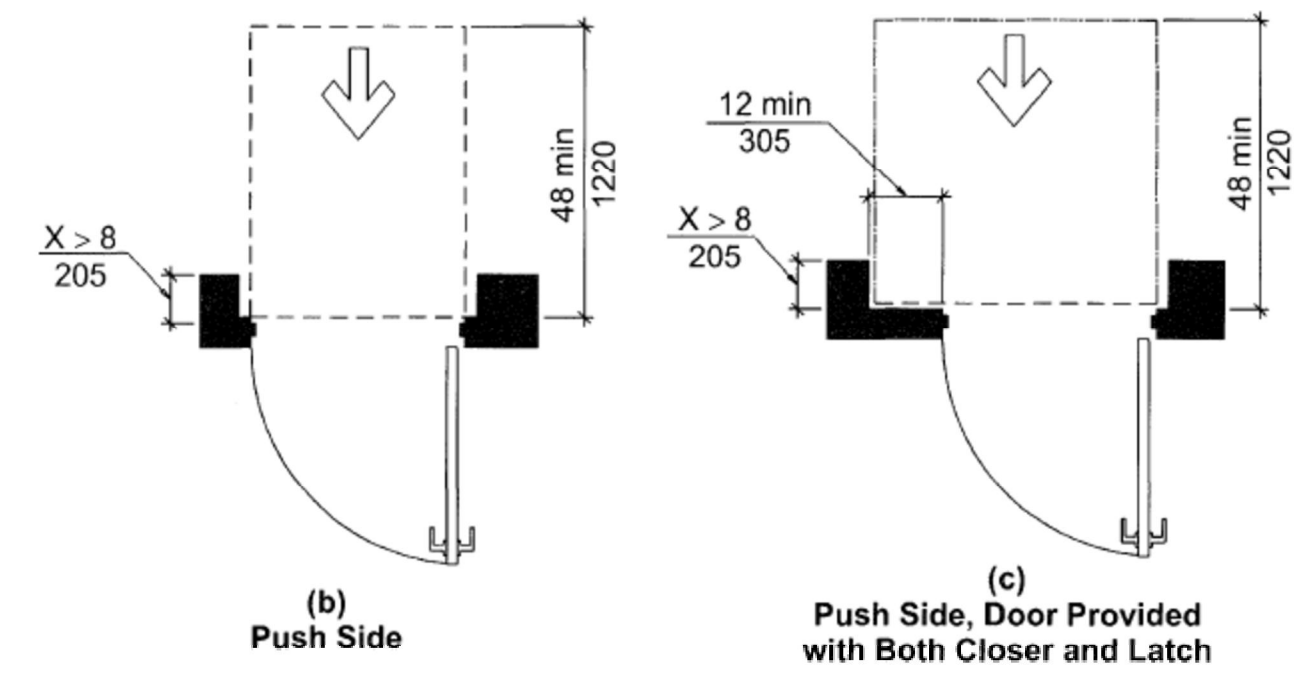
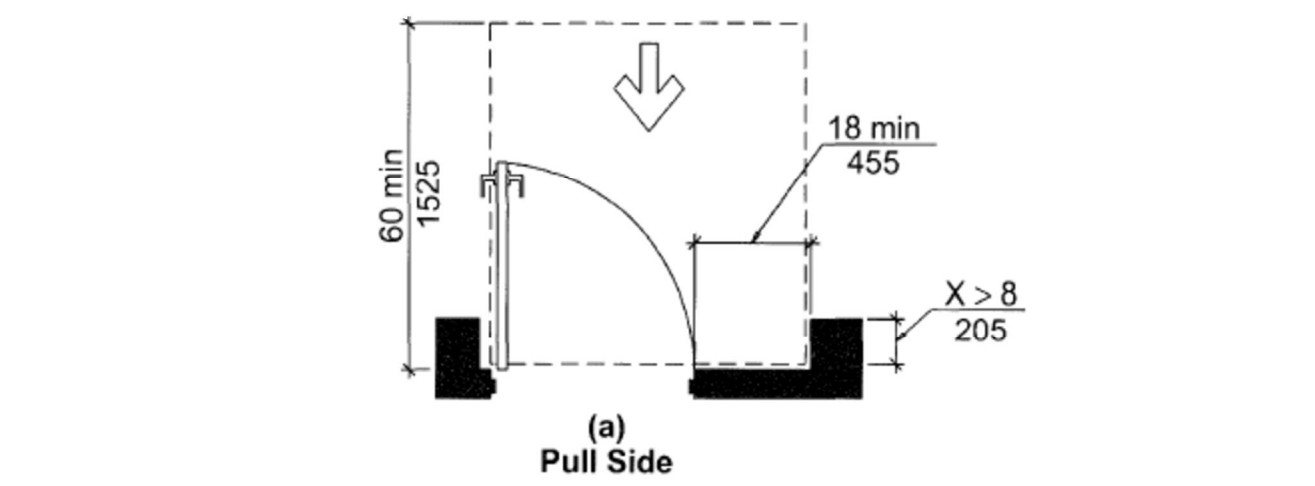
R STAIR TOP & BOTTOM HANDRAIL EXTENSION (Section 505)
 NO SCALE



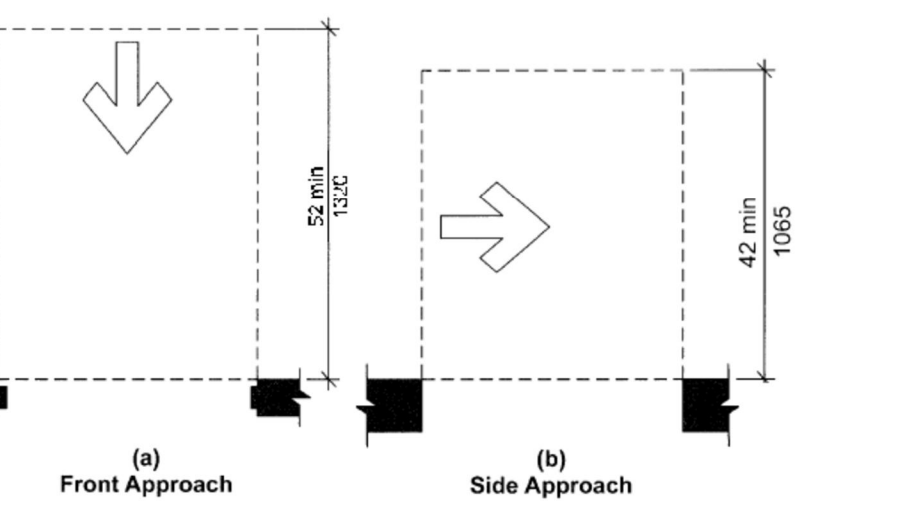
Q STAIR TREAD & RISER (Section 504)
 NO SCALE



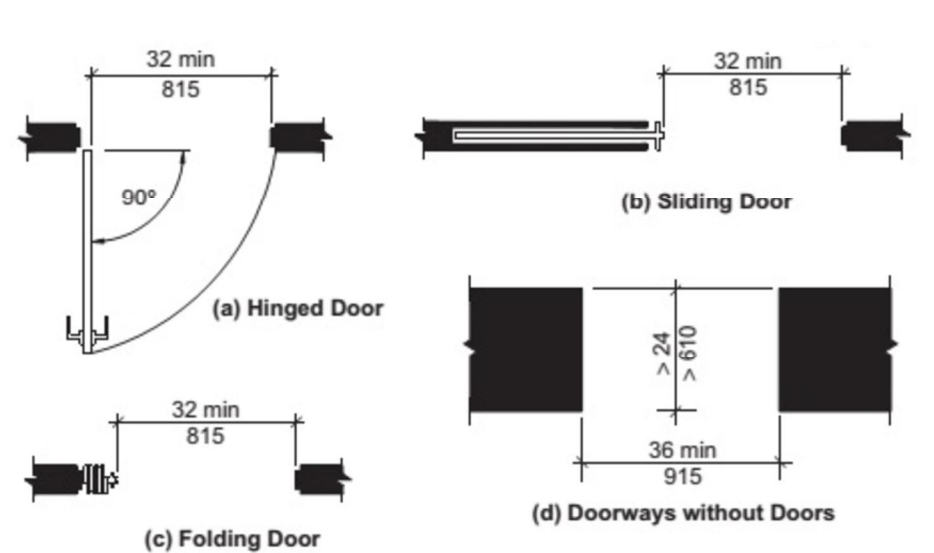
O ACCESSIBLE PARKING SPACES (Section 502)
 NO SCALE



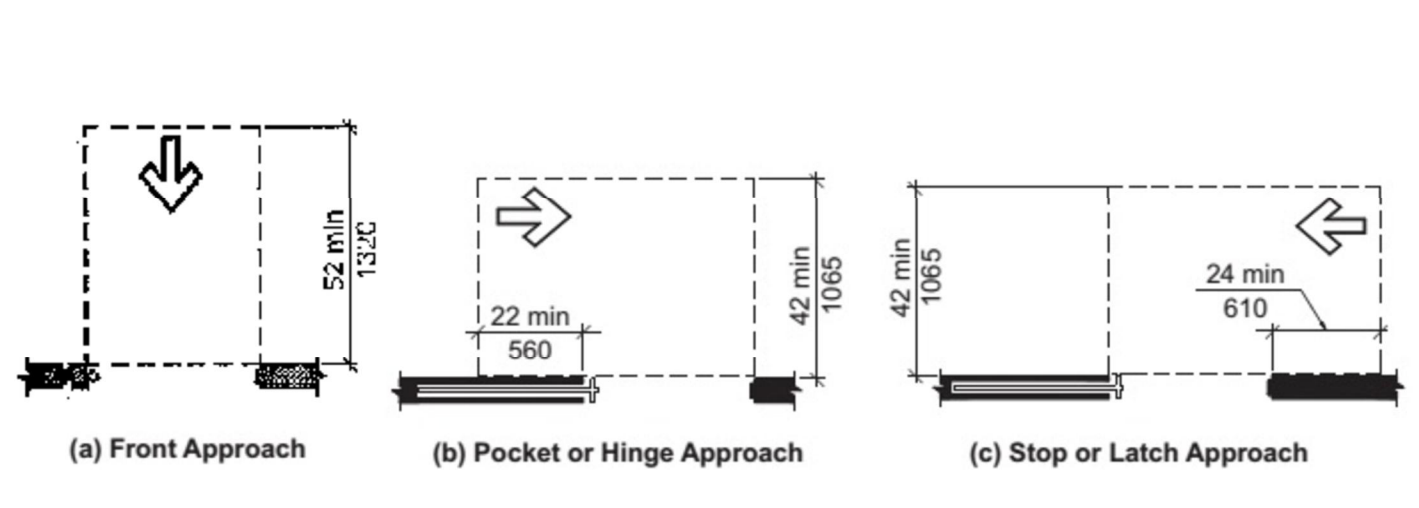
N MANEUVERING CLEARANCES AT RECESSED DOORS (Section 404)
 NO SCALE



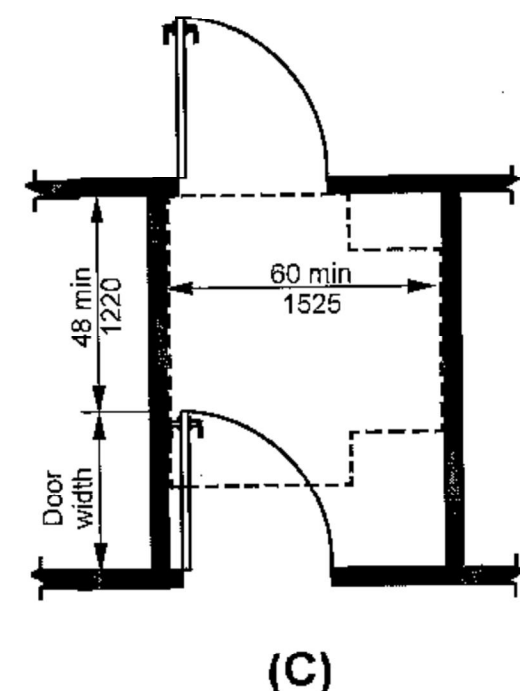
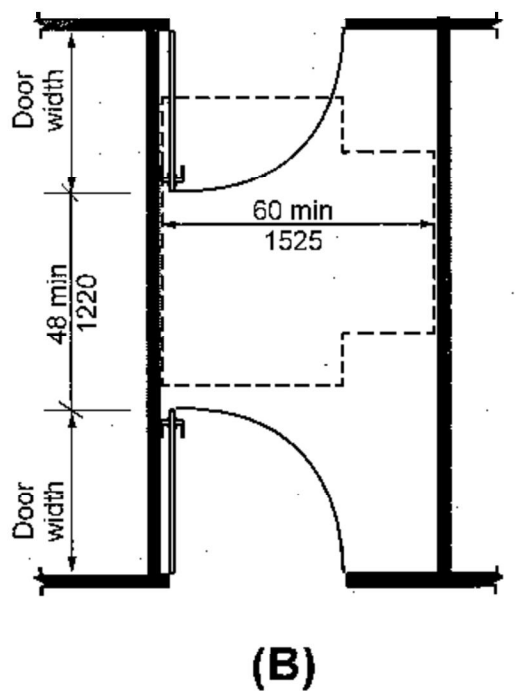
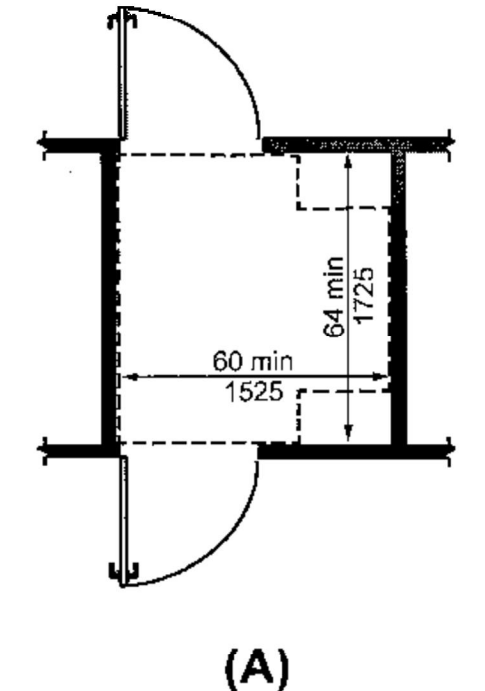
M MANEUVERING CLEARANCES AT DOORWAYS without DOORS (Section 404)
 NO SCALE



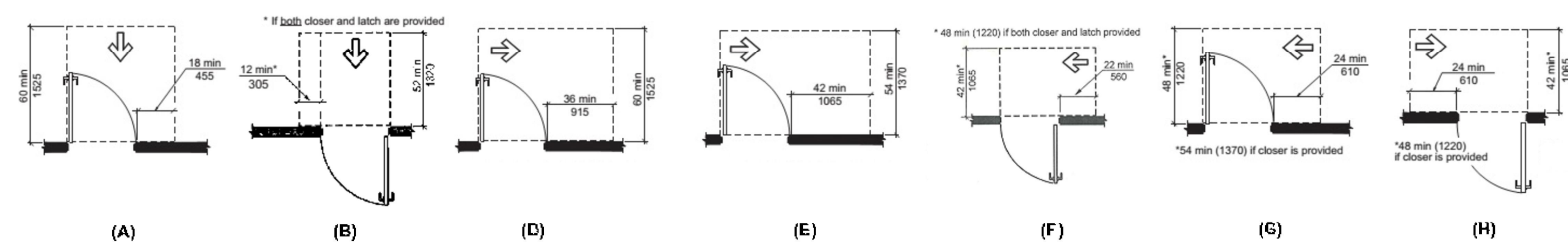
L CLEAR WIDTH OF DOORWAYS (Section 404)
 NO SCALE



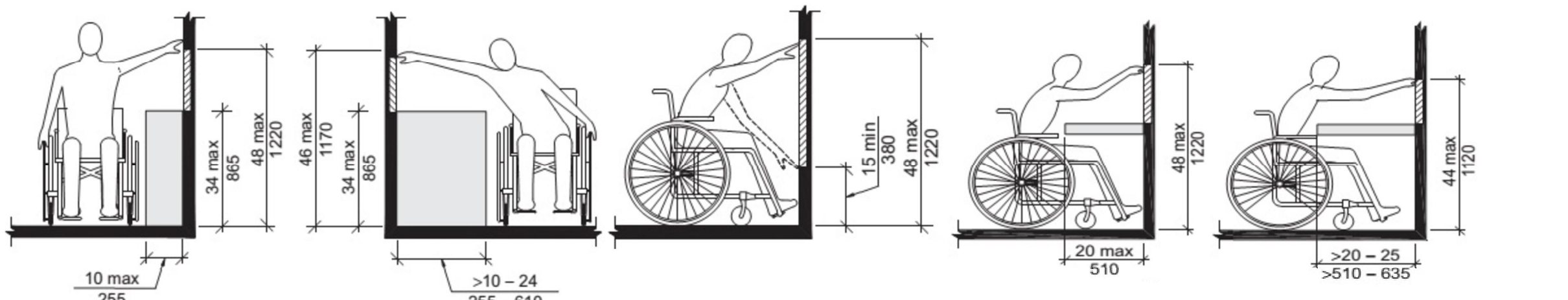
K MANEUVERING CLEARANCES AT SLIDING & FOLDING DOORS (Section 404)
 NO SCALE



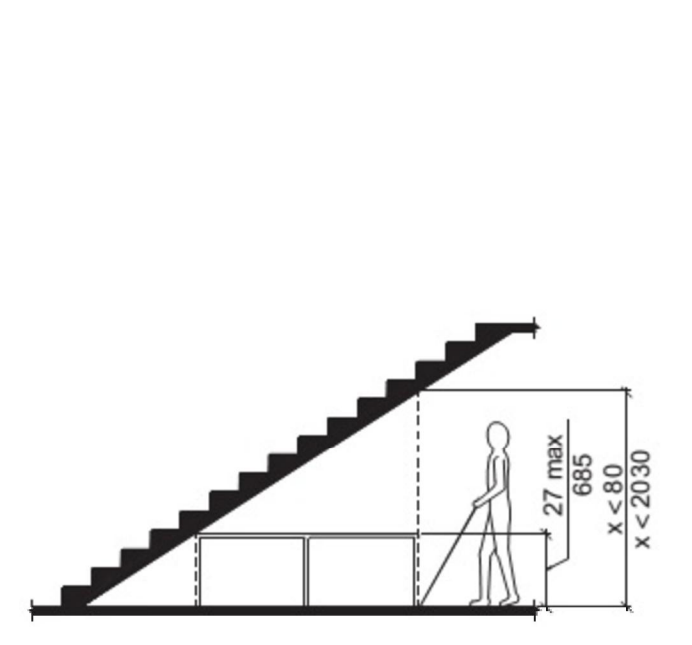
J TWO DOORS IN SERIES (Section 404)
 NO SCALE



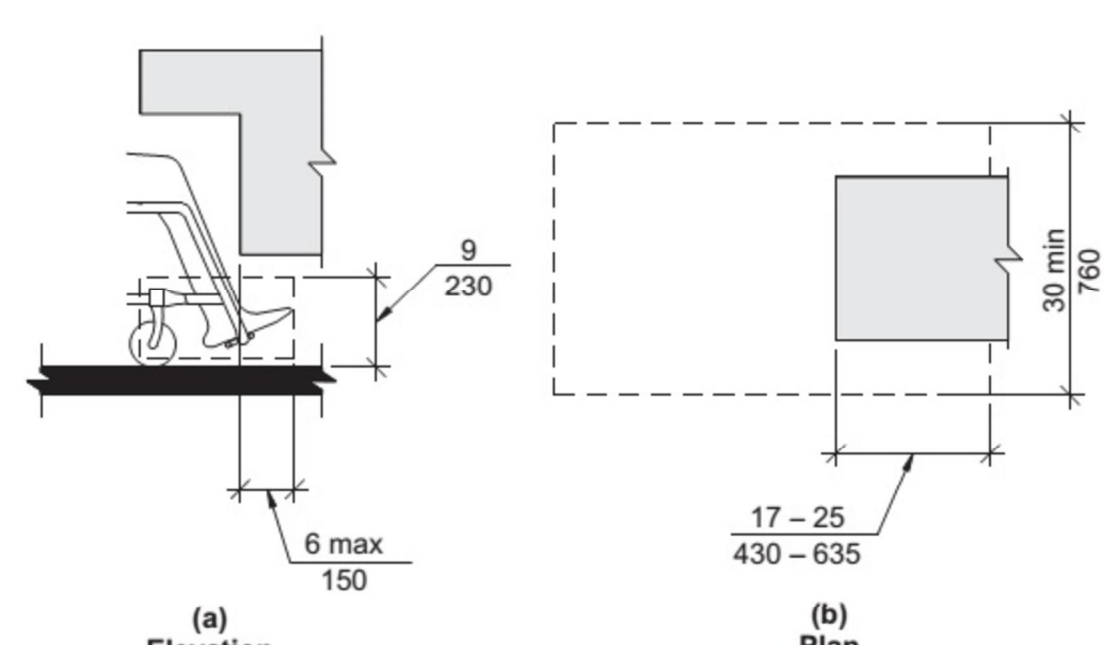
H MANEUVERING CLEARANCE AT MANUAL SWINGING DOORS (Section 404)
 NO SCALE



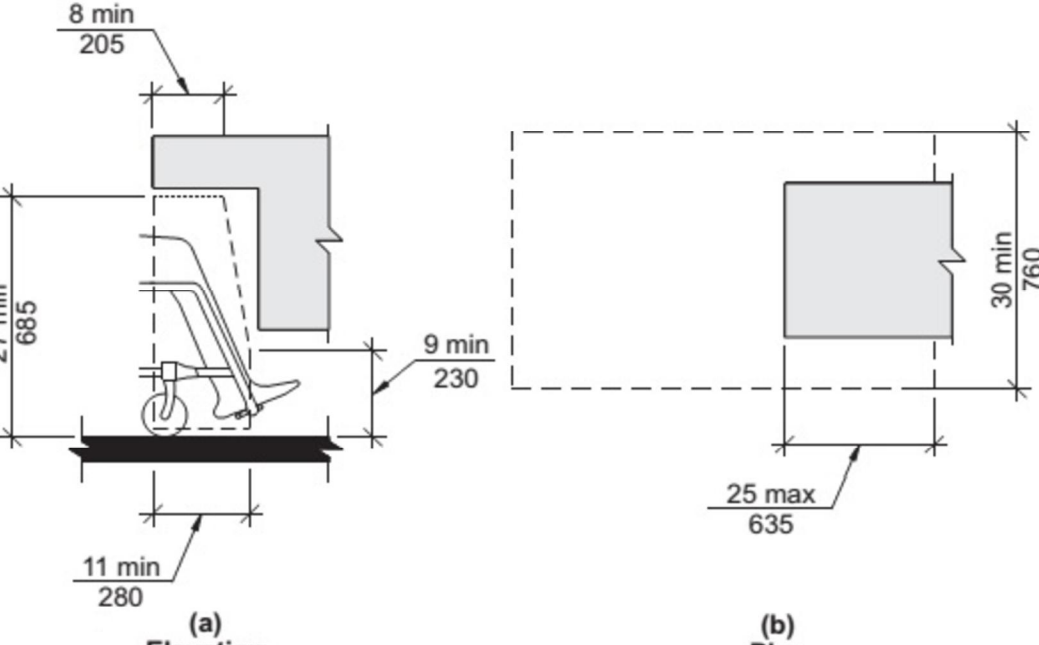
G REACH CLEARANCES (Section 308)
 NO SCALE



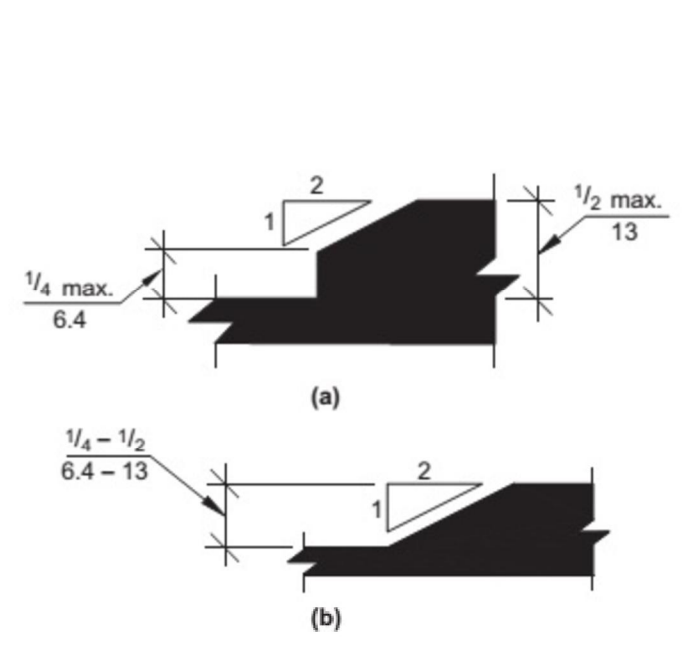
F VERTICAL CLEARANCE (Section 307)
 NO SCALE



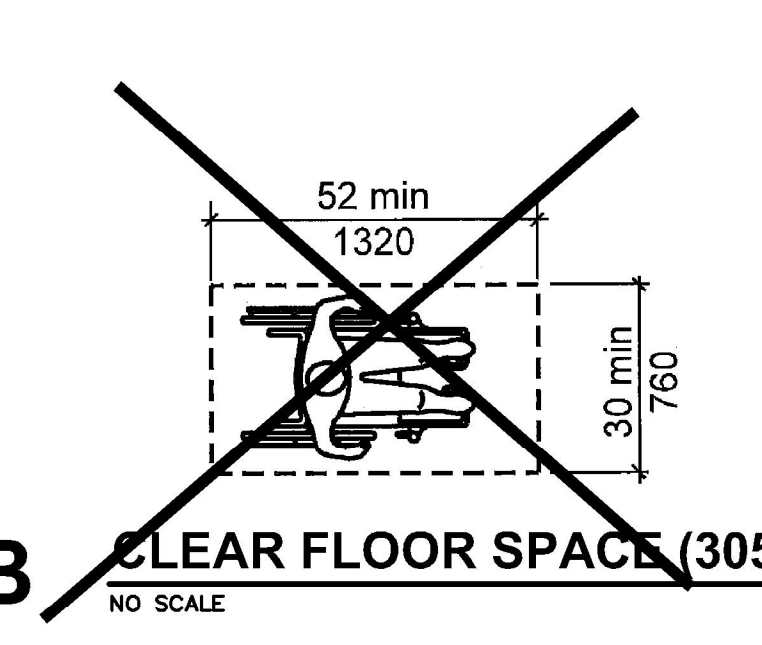
E TOE CLEARANCE (Section 306)
 NO SCALE



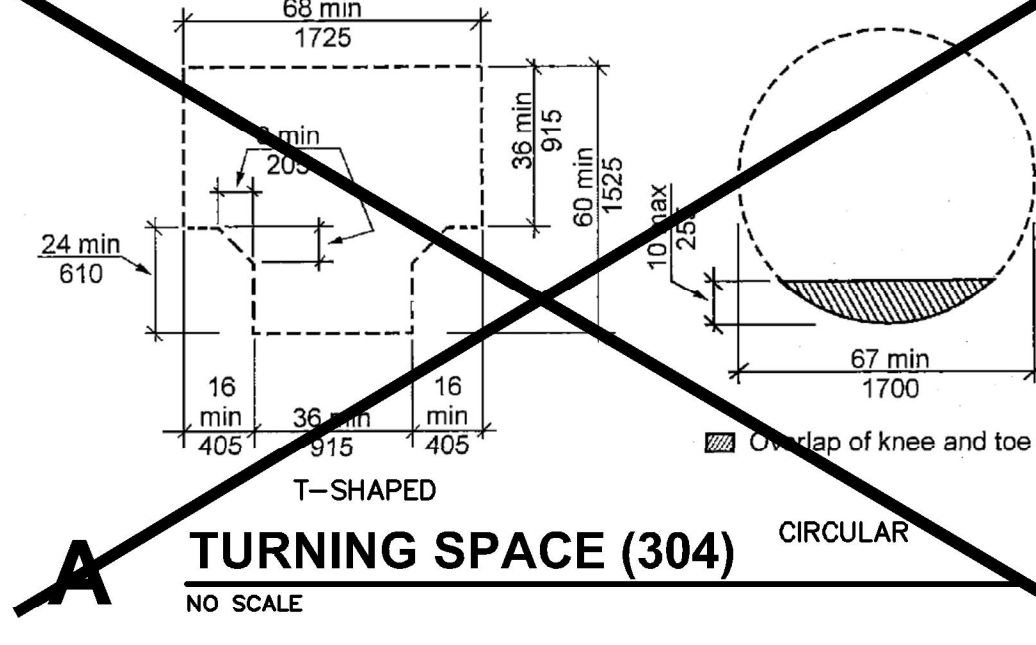
D KNEE CLEARANCE (Section 306)
 NO SCALE



C CHANGES IN LEVEL (Section 303)
 NO SCALE



B CLEAR FLOOR SPACE (305)
 NO SCALE

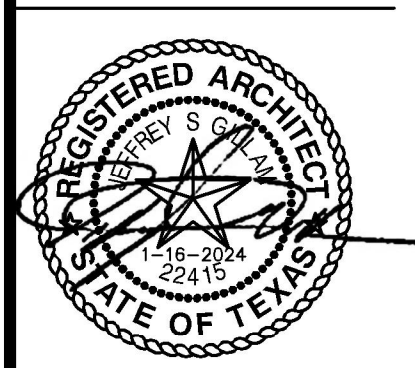


A TURNING SPACE (304)
 NO SCALE

THIS SHEET IS FOR INFORMATIONAL PURPOSES ONLY & CONTAINS KEY ILLUSTRATIONS OF ICC A117.1-2017, ACCESSIBLE and USEABLE BUILDINGS and FACILITIES, FOR MORE INFORMATION REFERENCE ENTIRE REQUIREMENTS.

JGR
 JonesGillamRenz
 1881 Main Street, Suite 301
 Salina, KS 67401
 785.627.0386
 jgr@jgarchitects.com

ROOSEVELT LOFTS
 HISTORIC REHABILITATION - APARTMENTS
 SAN ANGELO, TEXAS

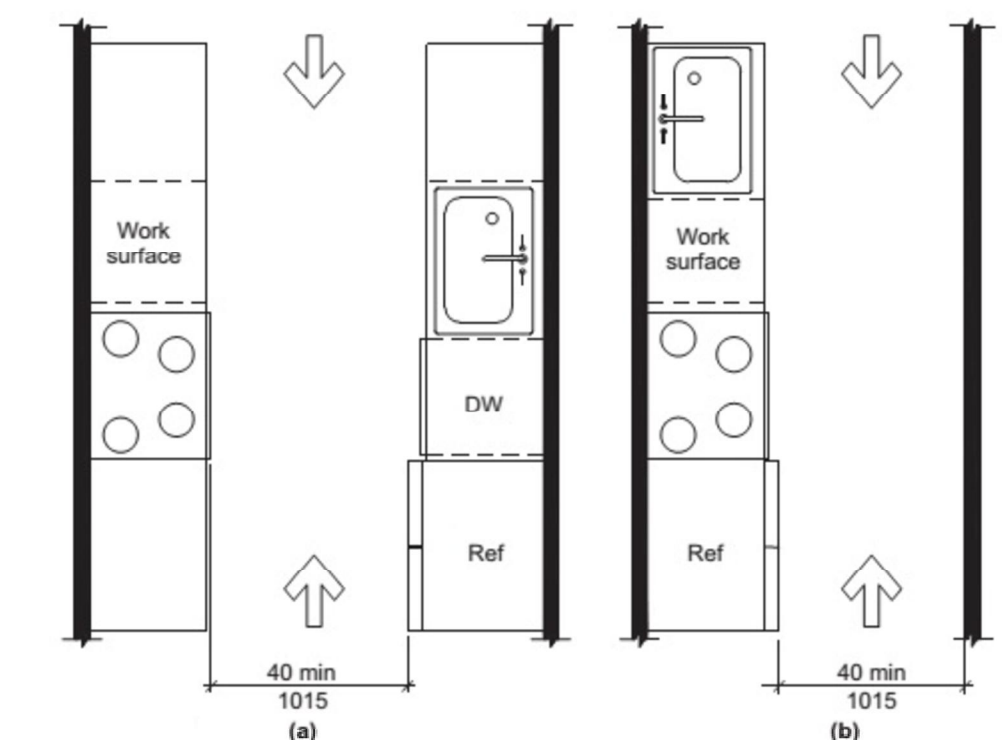


REVISION:
 DATE: 1-16-2024
 JOB: 22-3281
 SHEET NO.:

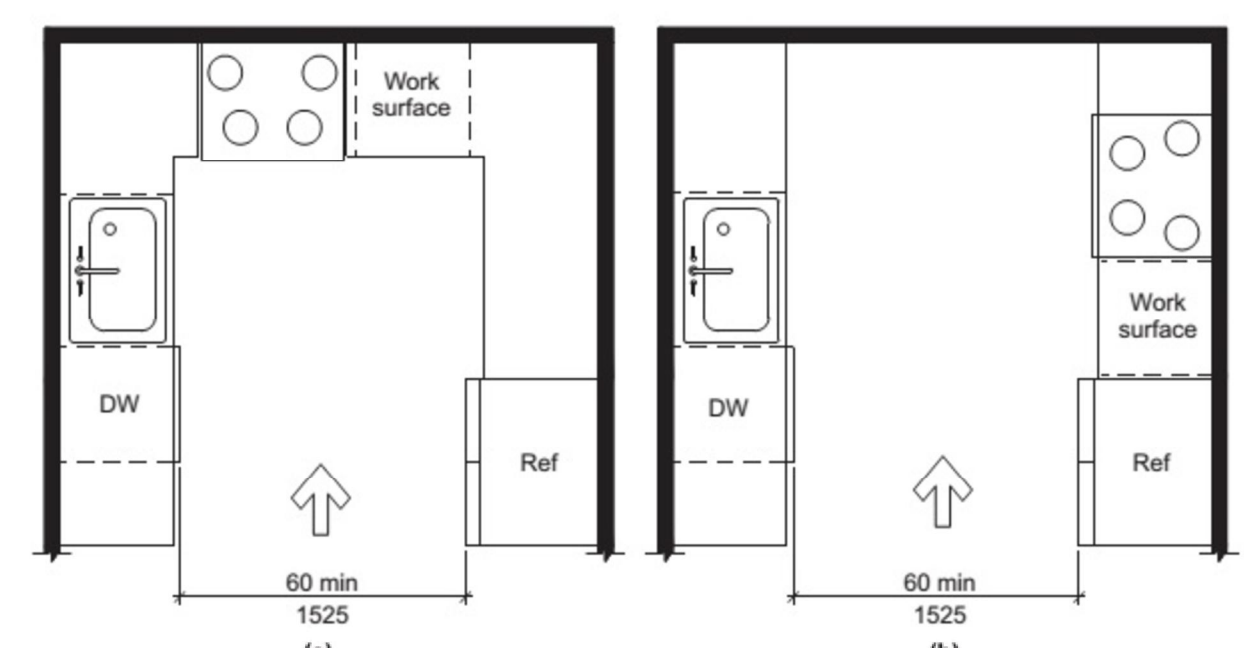
ANSI-1
 COPYRIGHTED



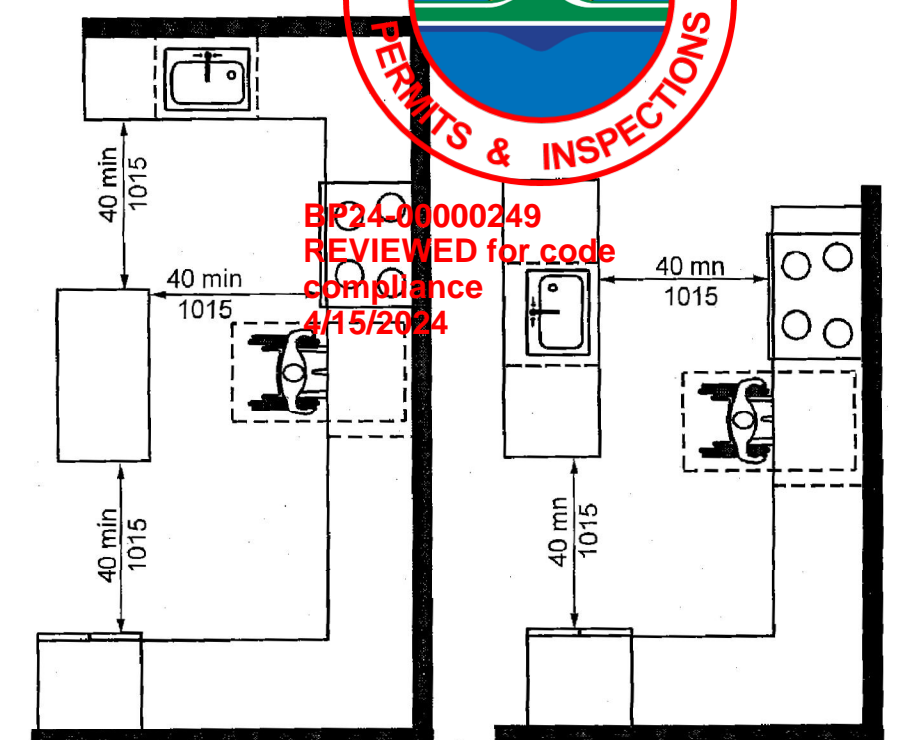
REVIEWED for code compliance
4/15/2024
BR240000249



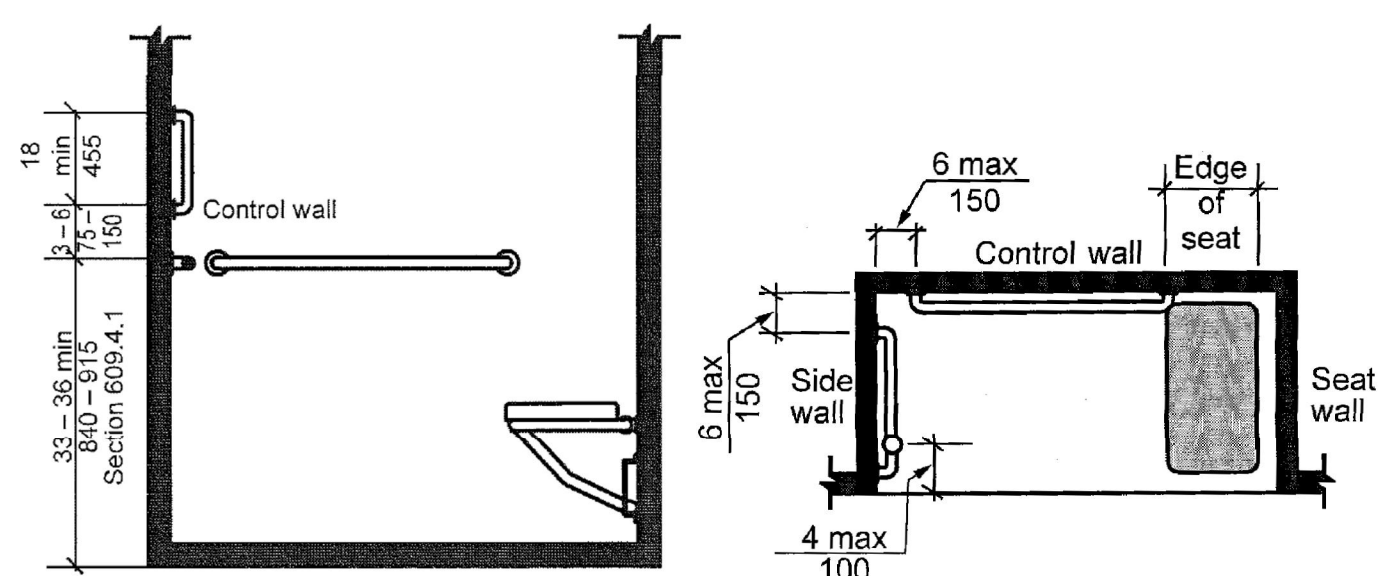
V PASS-THRU KITCHEN CLEARANCE (Section 804)
NO SCALE



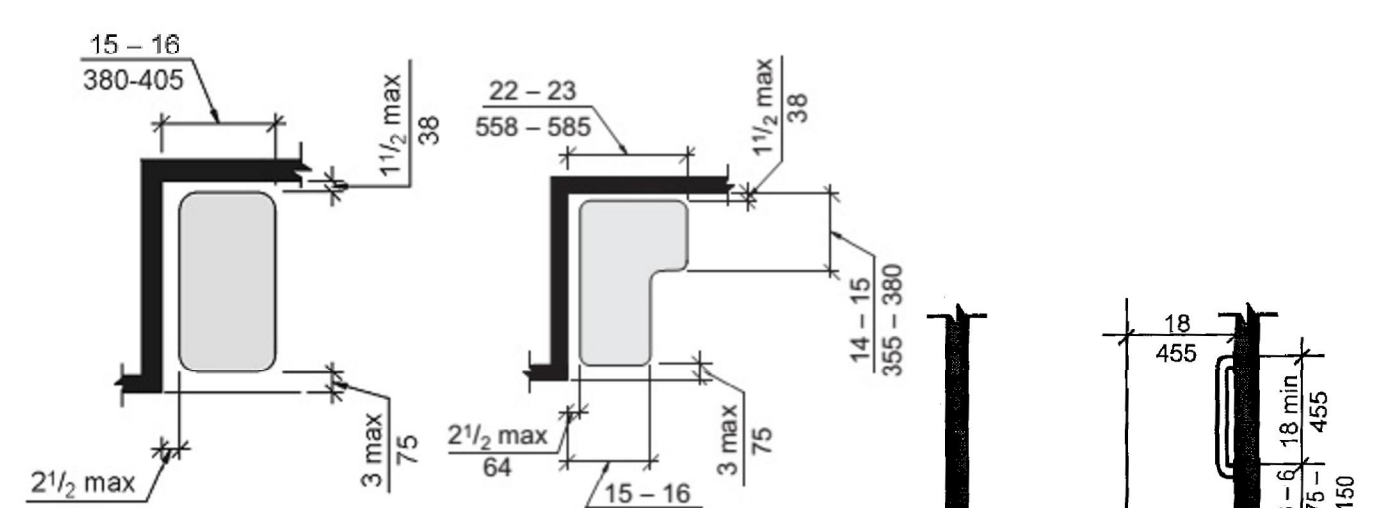
U U-SHAPED KITCHEN CLEARANCE (Section 804)
NO SCALE



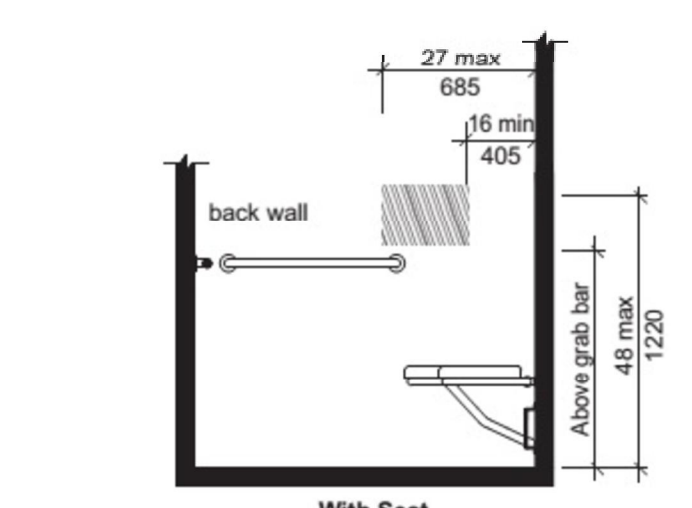
T U-SHAPED KITCHEN CLEARANCE EXCEPTION (Section 804)
NO SCALE



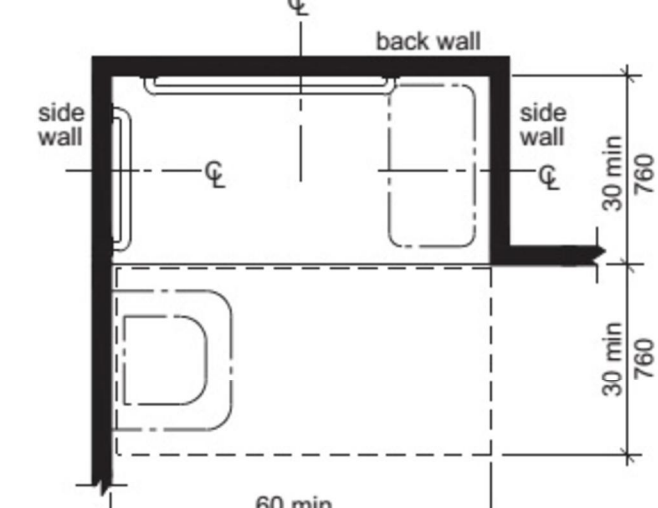
S ROLL-IN SHOWER GRAB BARS (Section 608)
NO SCALE



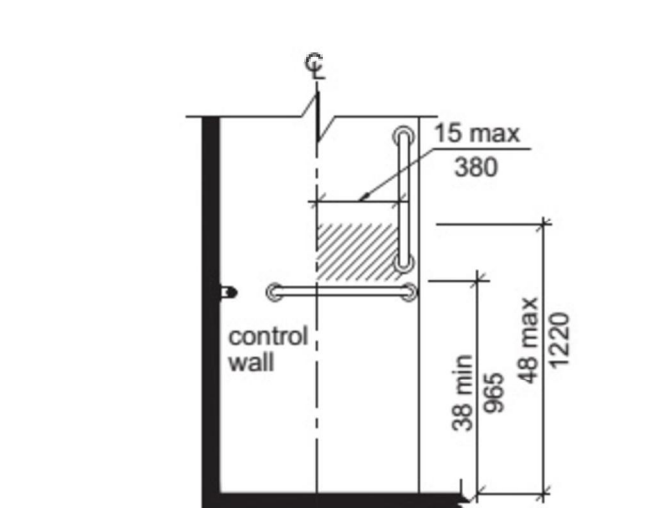
O SHOWER SEATS (Section 610)
NO SCALE



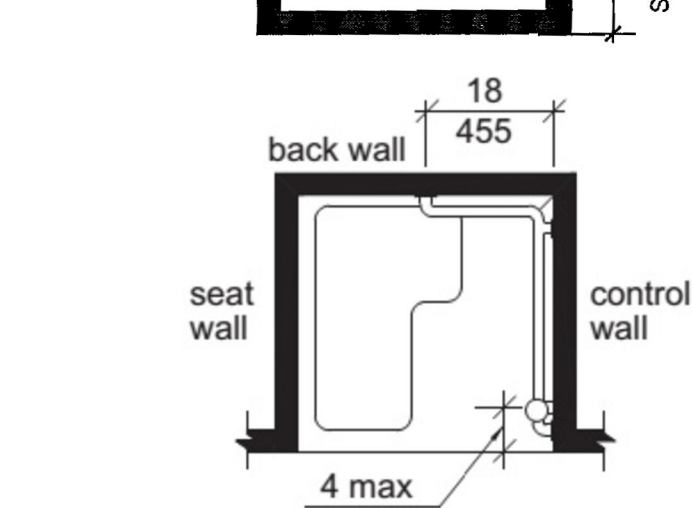
R ROLL-IN SHOWER CONTROLS LOCATION (Section 608)
NO SCALE



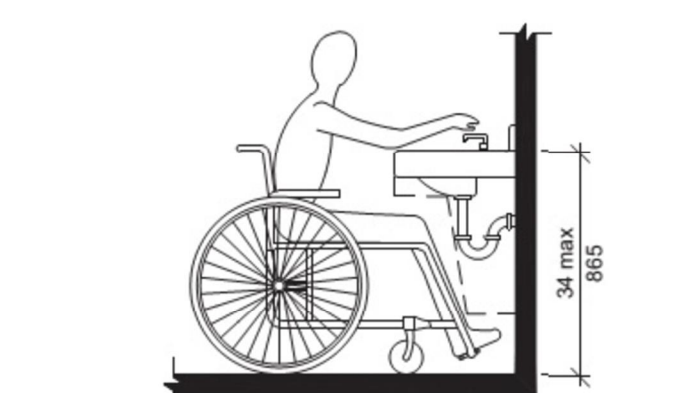
Q ROLL-IN SHOWER SIZE & CLEARANCE (Section 608)
NO SCALE



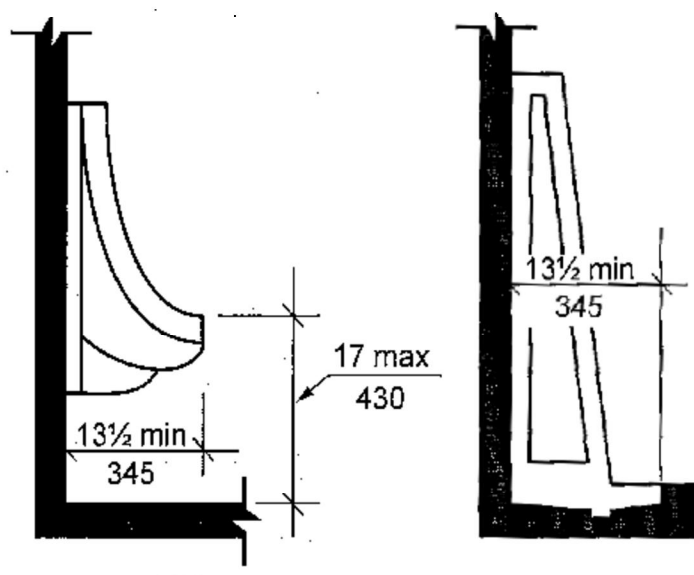
O TRANSFER SHOWER CONTROLS LOCATION (Section 608)
NO SCALE



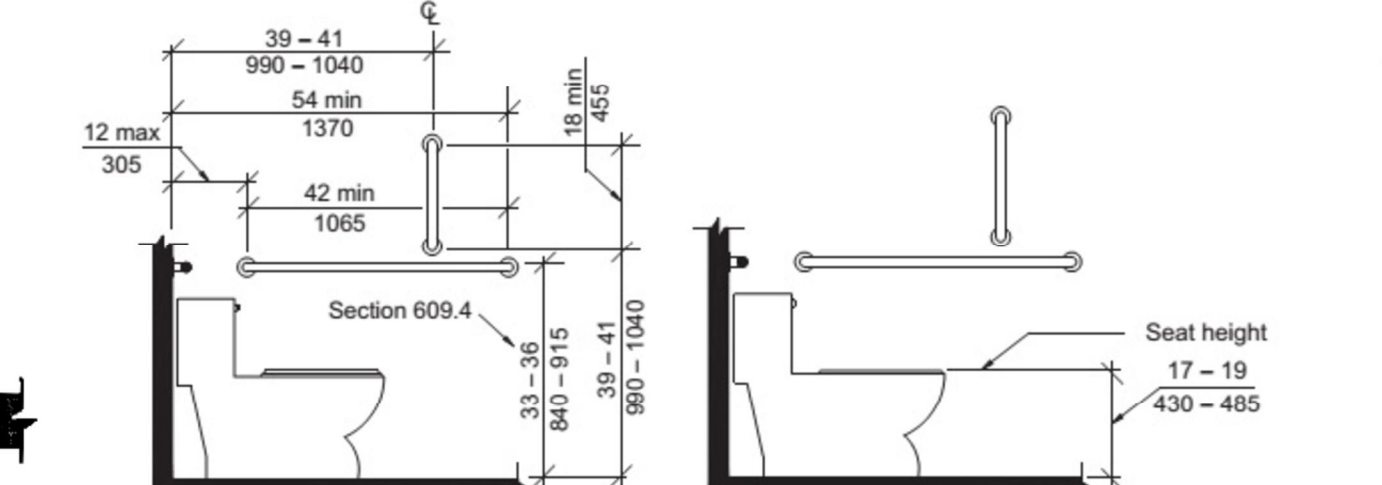
N TRANSFER SHOWER GRAB BARS (Section 608)
NO SCALE



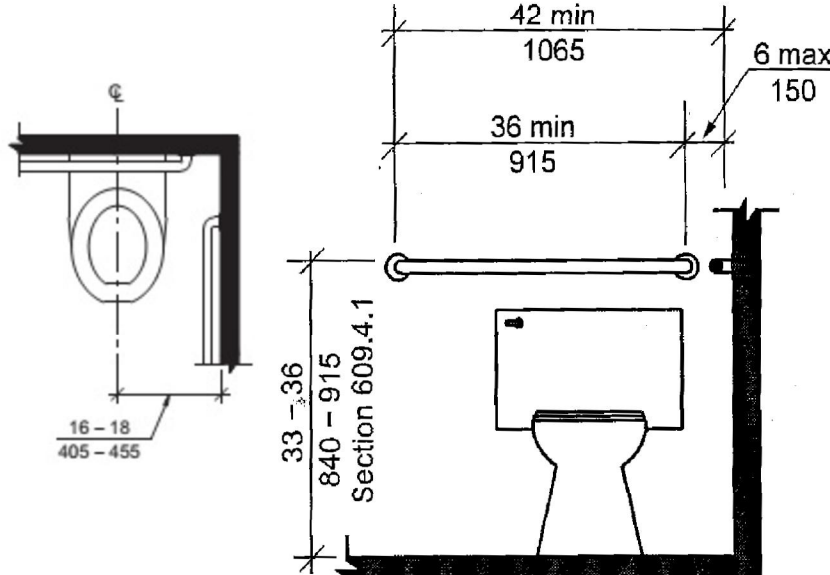
G HEIGHT OF LAVATORIES & SINKS (Section 606)
NO SCALE



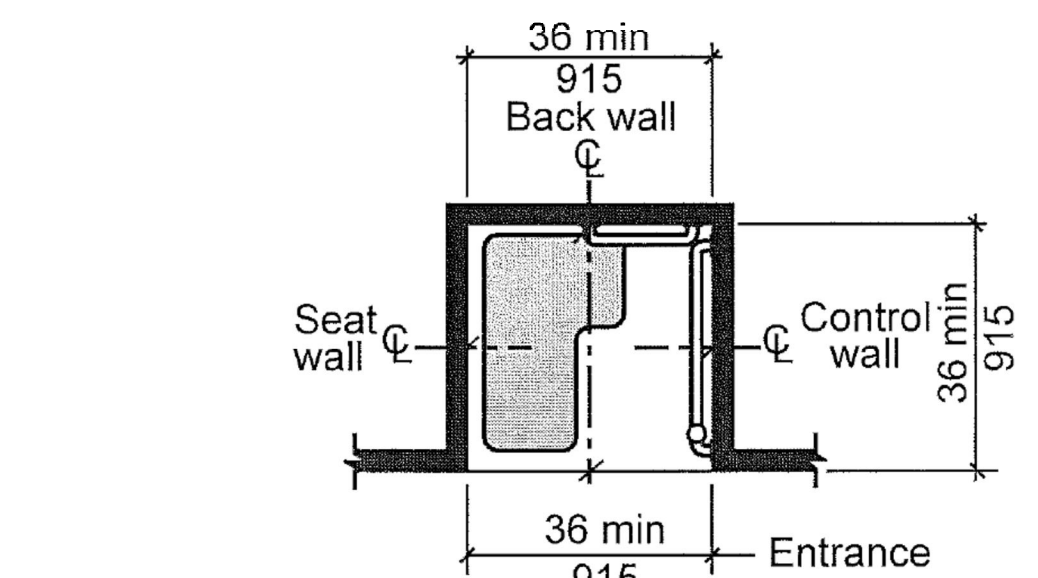
F HEIGHT OF URINALS (Section 605)
NO SCALE



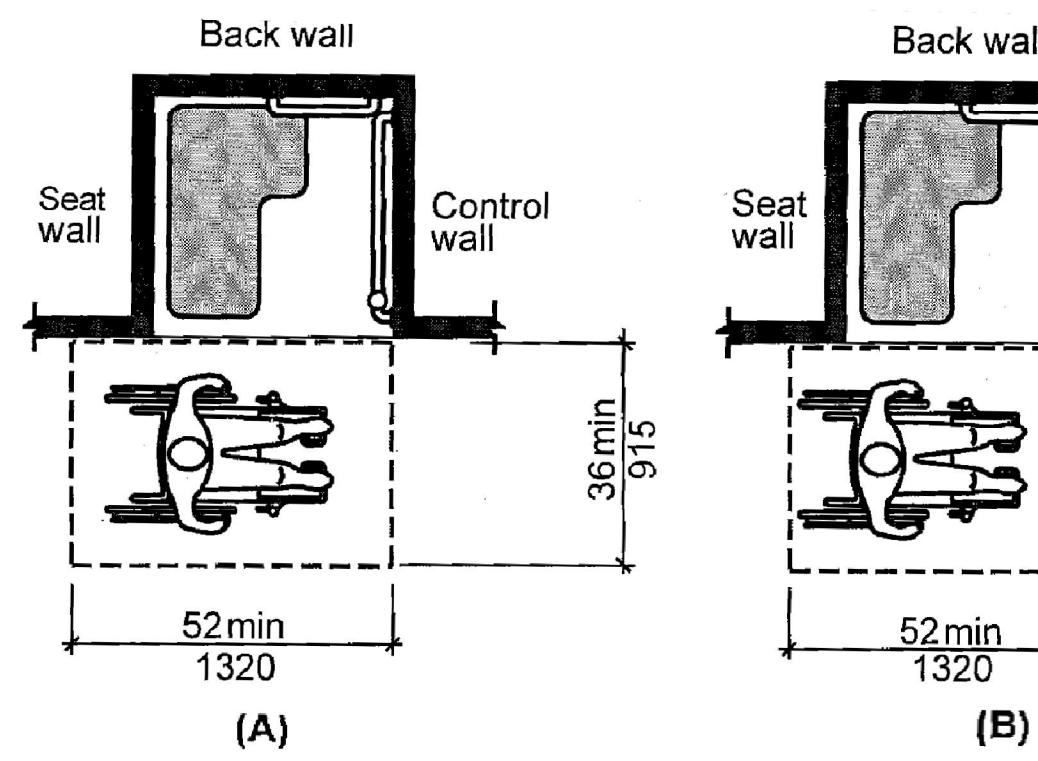
E WATER CLOSET HEIGHT & SIDE WALL GRAB BAR (Section 604)
NO SCALE



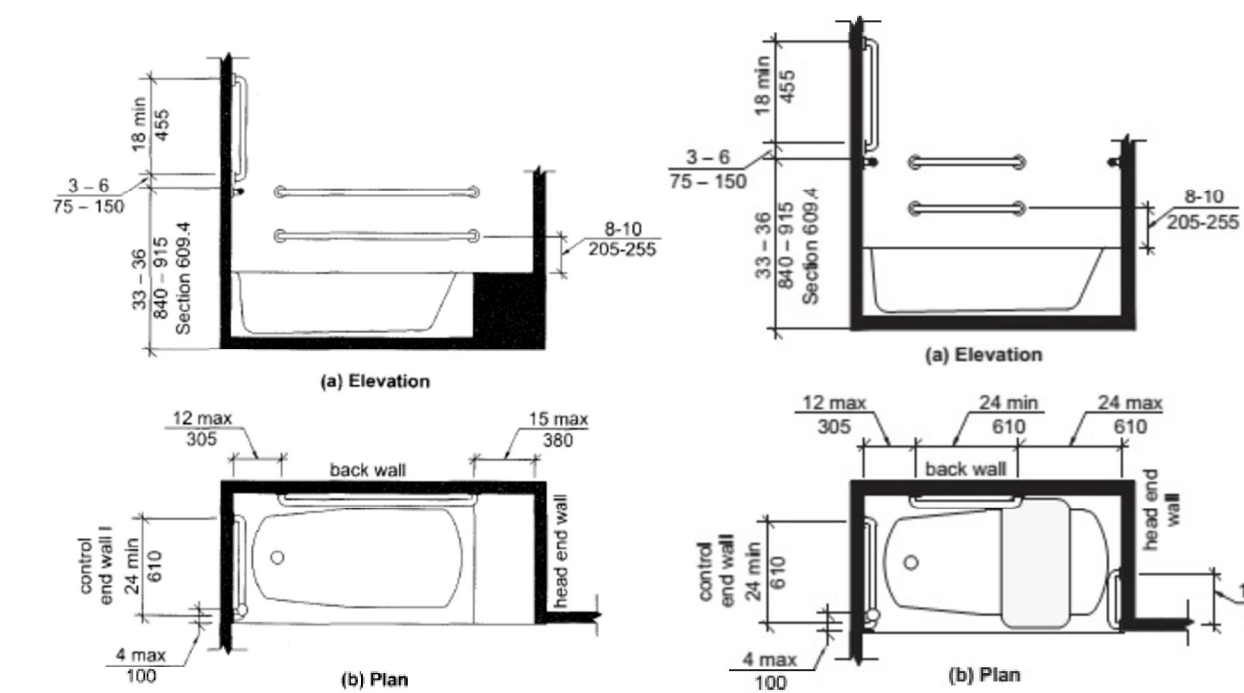
D WATER CLOSET LOCATION & REAR WALL GRAB BAR (Section 604)
NO SCALE



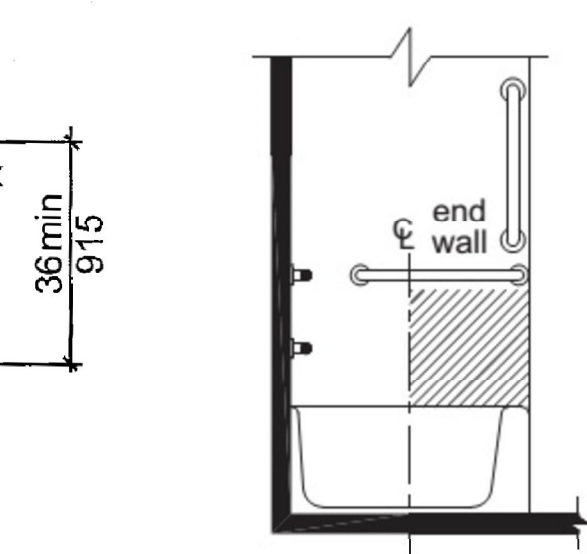
Note: inside finished dimensions measured at the center points of opposing sides



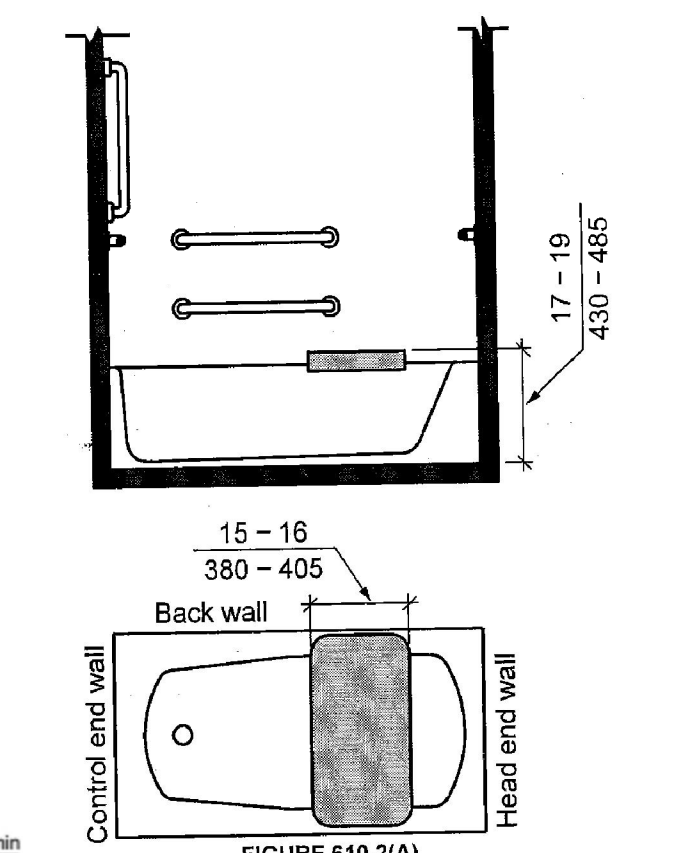
M TRANSFER SHOWER SIZE & CLEARANCE (Section 608)
NO SCALE



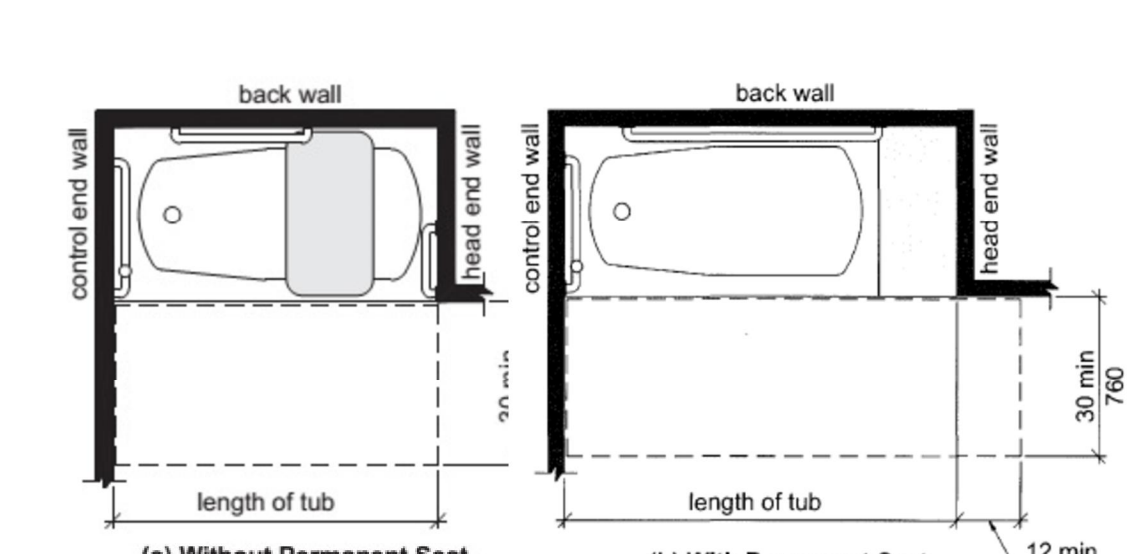
L GRAB BARS FOR BATHTUBS (Section 607)
NO SCALE



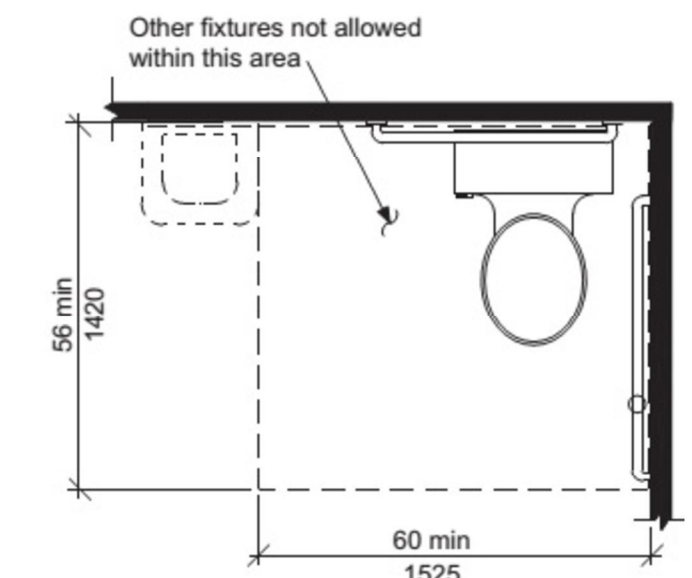
J BATHTUB CONTROLS (Section 607)
NO SCALE



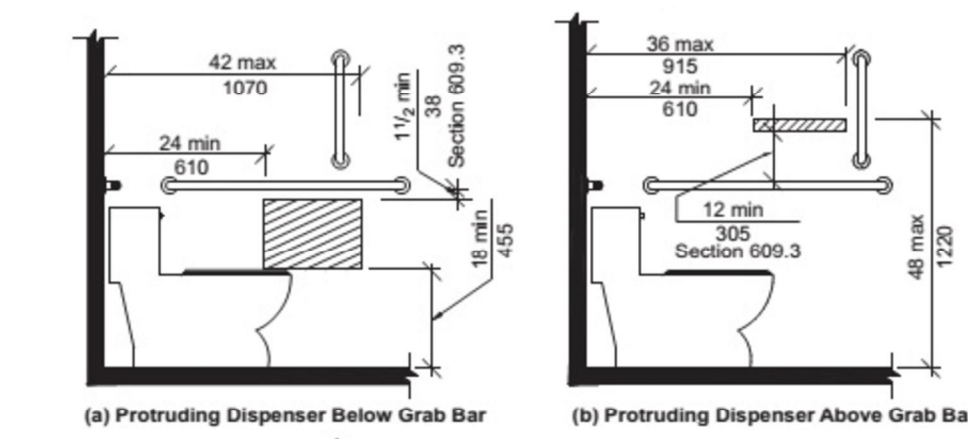
K BATHTUB SEAT (Section 610)
NO SCALE



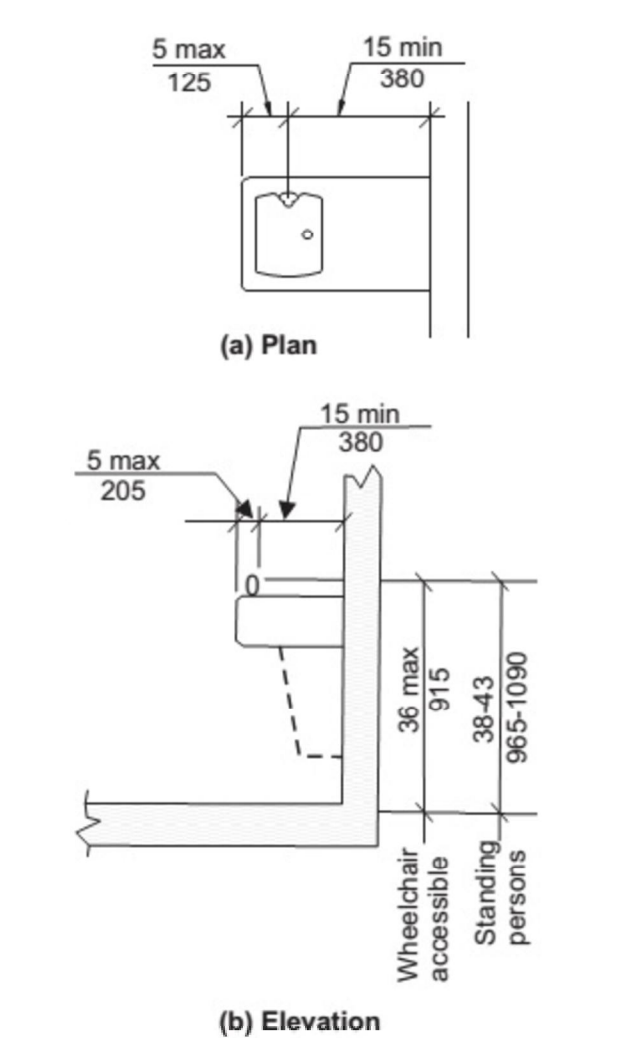
H CLEARANCES FOR BATHTUBS (Section 607)
NO SCALE



C CLEARANCES AT WATER CLOSET (Section 604)
NO SCALE



B DISPENSER OUTLET LOCATION (Section 604)
NO SCALE



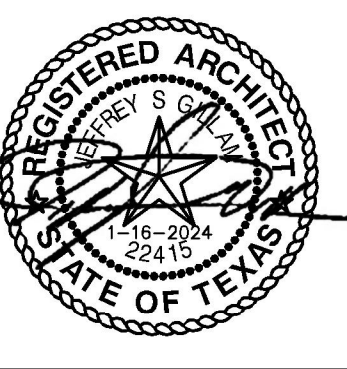
A DRINKING FOUNTAIN (Section 602)
NO SCALE

THIS SHEET IS FOR INFORMATIONAL PURPOSES ONLY & CONTAINS KEY ILLUSTRATIONS OF ICC A117.1-2017, ACCESSIBLE and USEABLE BUILDINGS and FACILITIES, FOR MORE INFORMATION REFERENCE ENTIRE REQUIREMENTS.

JonesGillamRenz
1881 Main Street, Suite 301
Sallisaw, KS 67401
785.627.0386
jgr@jgarchitects.com



ROOSEVELT LOFTS
HISTORIC REHABILITATION - APARTMENTS
SAN ANGELO, TEXAS



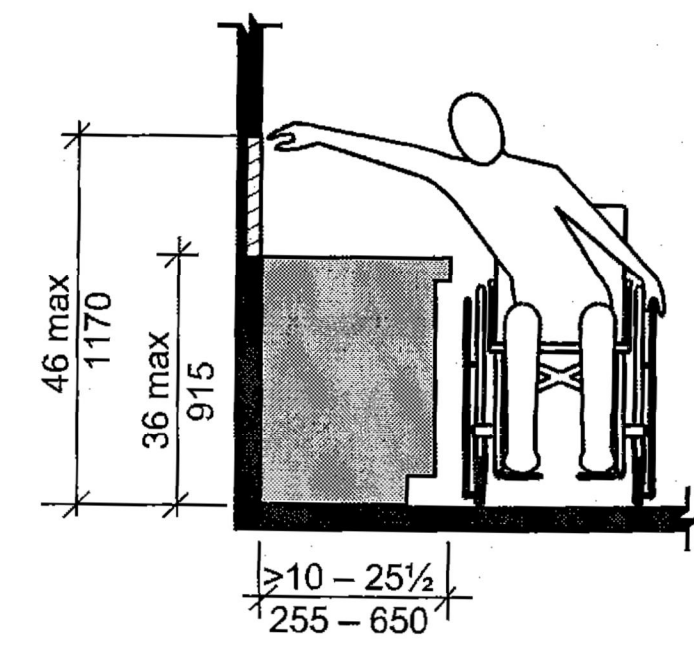
REVISION:
DATE: 1-16-2024
JOB: 22-3281
SHEET NO.:

ANSI-2

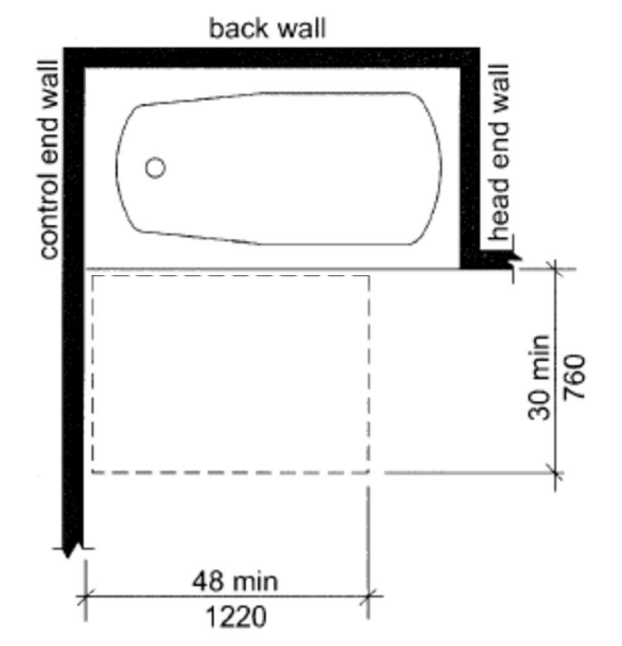
COPYRIGHTED



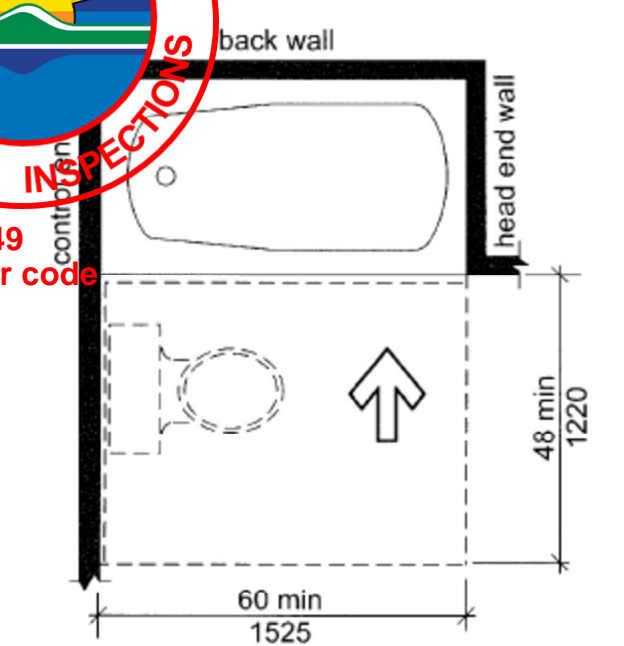
BP24-0000249
REVIEWED for code
compliance
4/15/2024



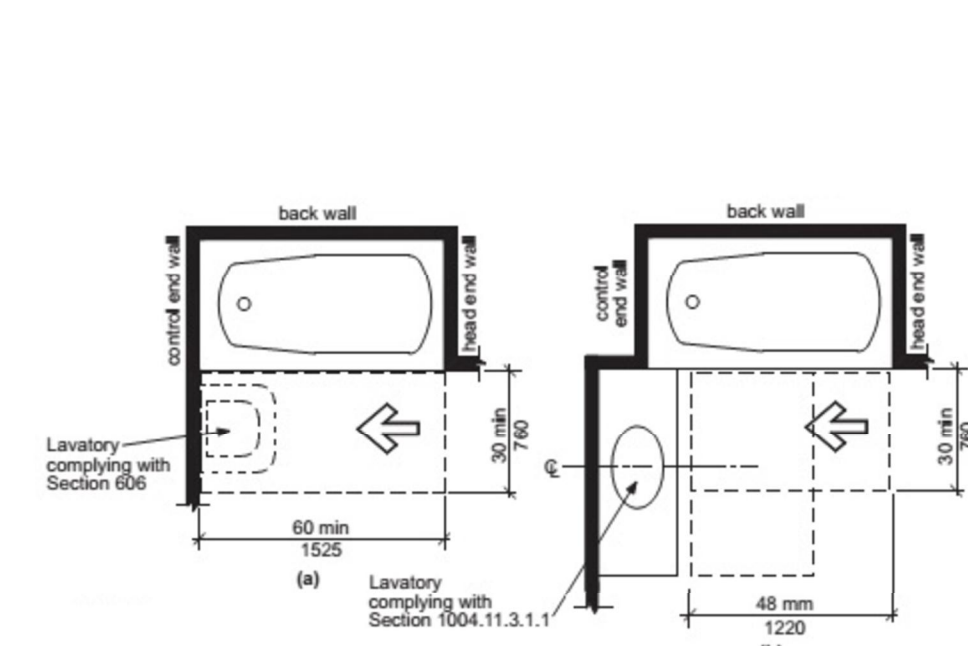
P REACH RANGE OVER KITCHEN or BATH CABINET - TYPE B UNITS (Section 1104)
NO SCALE



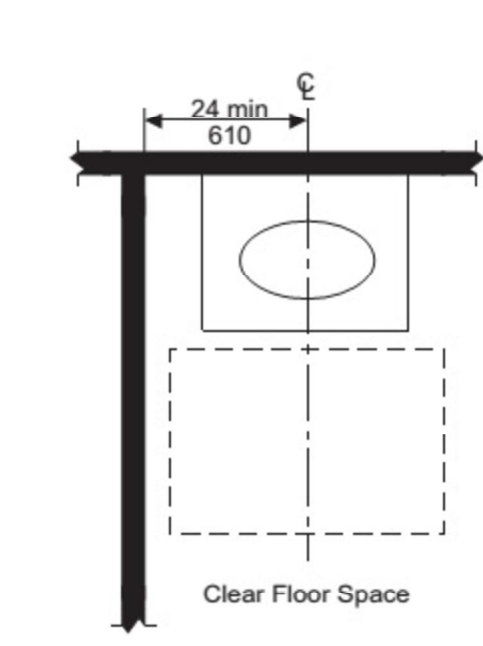
O BATHTUB CLEARANCES AT TYPE B UNITS - OPT B BATH (Section 1104)
NO SCALE



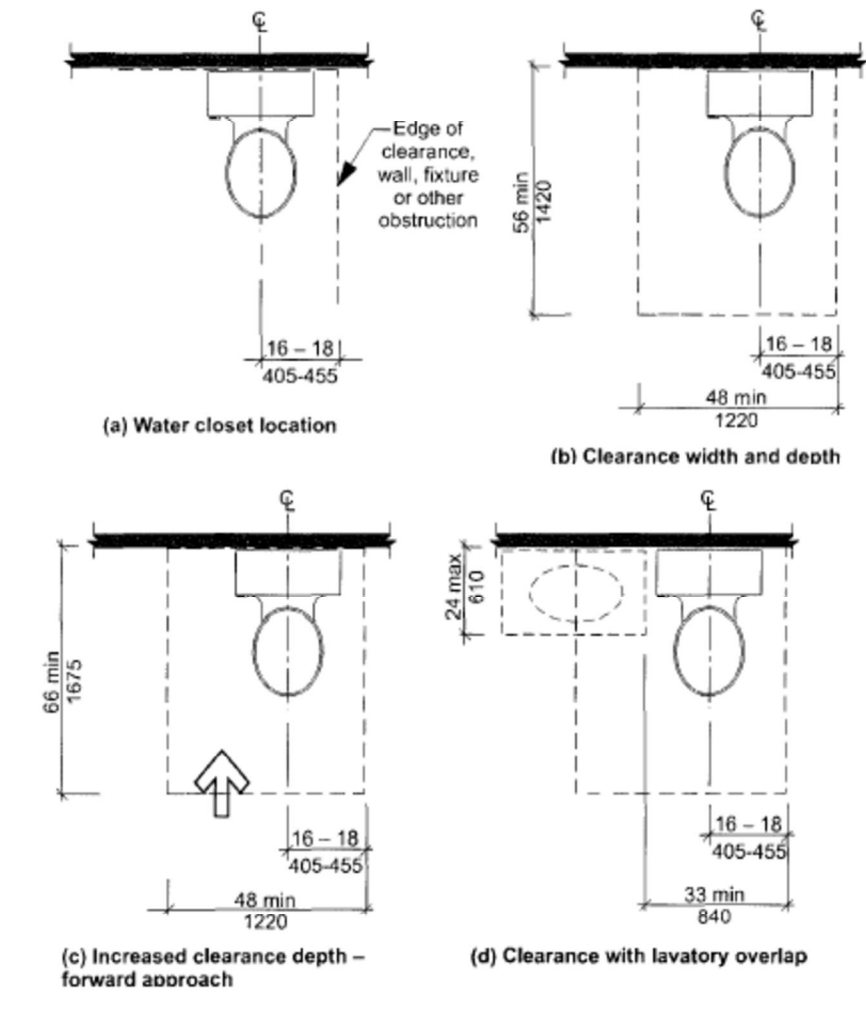
N BATHTUB CLEARANCES AT TYPE B UNITS - OPT A BATH (Section 1104)
NO SCALE



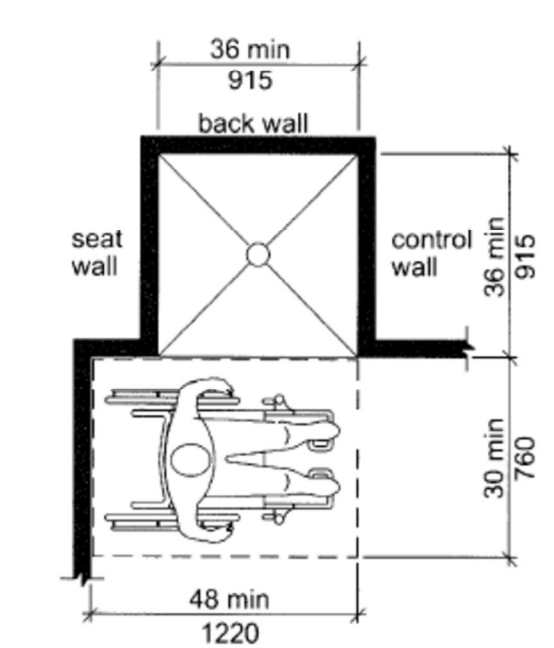
M BATHTUB CLEARANCES AT TYPE B UNITS - OPT A BATH (Section 1104)
NO SCALE



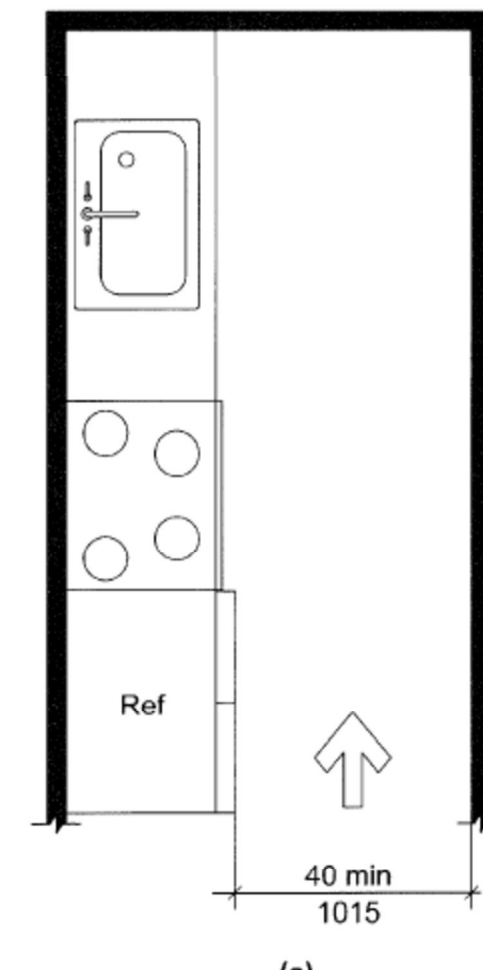
L LAVATORY AT TYPE B UNITS - OPT A BATH (Section 1104)
NO SCALE



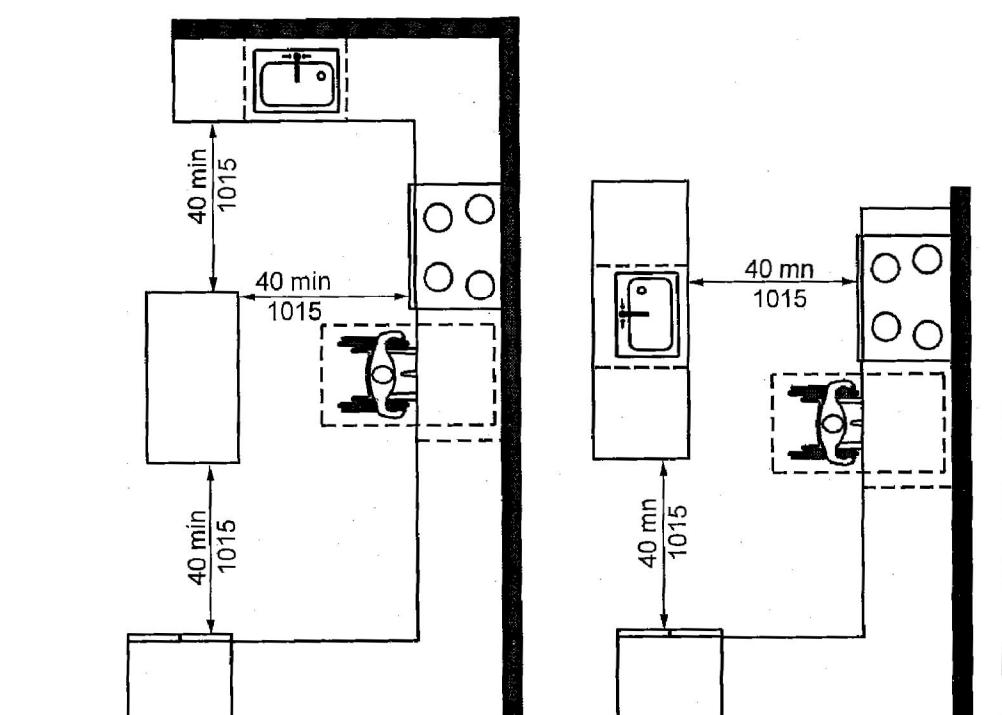
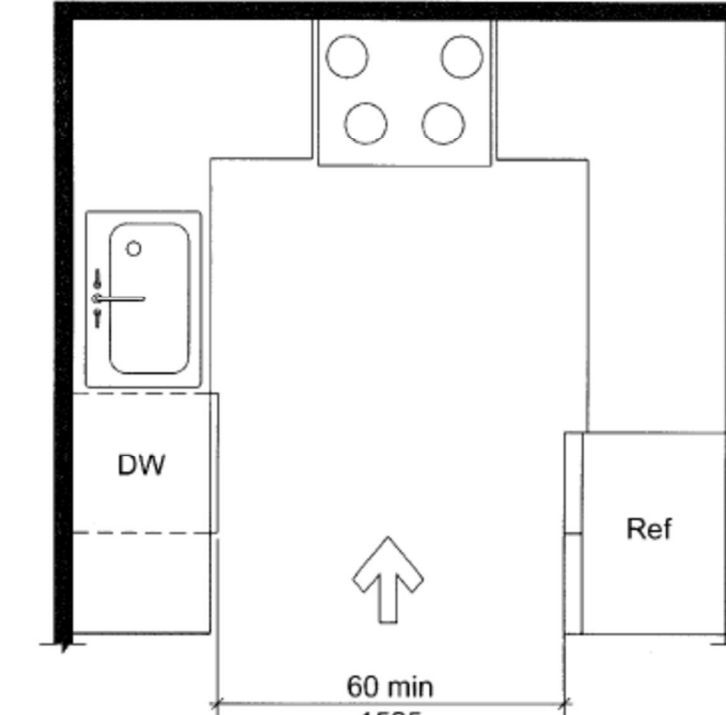
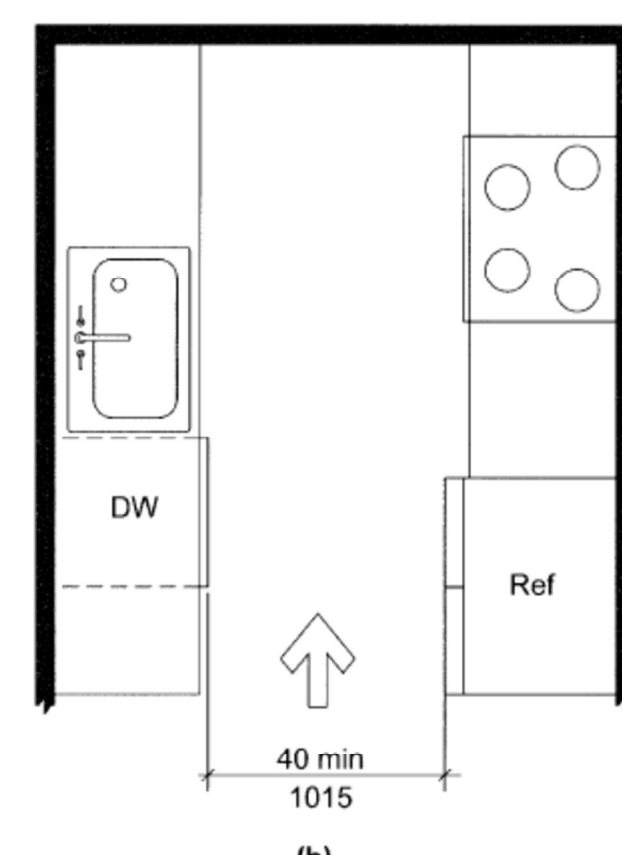
K WATER CLOSET CLEARANCES TYPE B UNITS (Section 1104)
NO SCALE



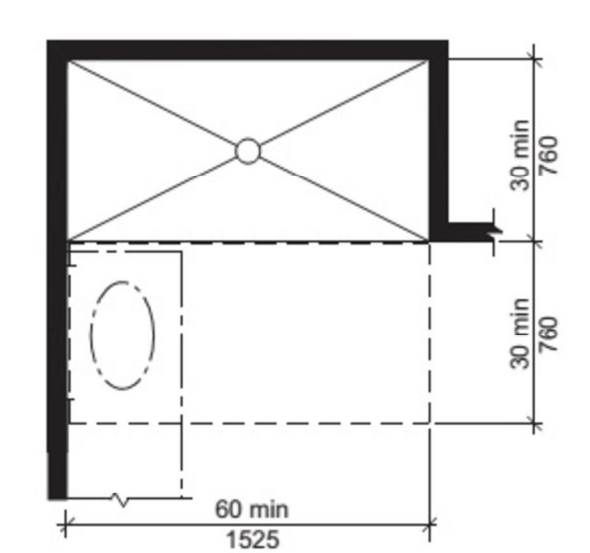
J TRANSFER SHOWER AT TYPE B UNITS (Section 1104)
NO SCALE



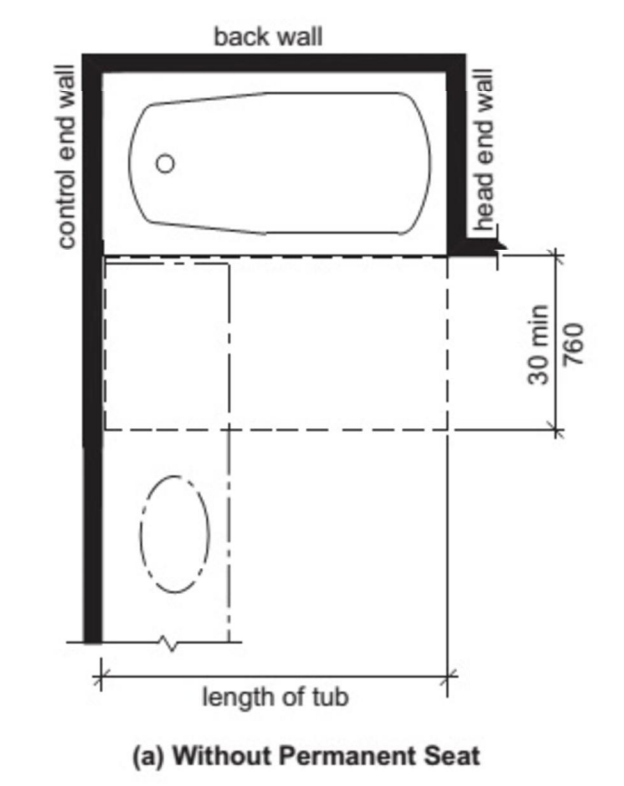
H MIN KITCHEN CLEARANCE - TYPE B UNITS (Section 1104)
NO SCALE



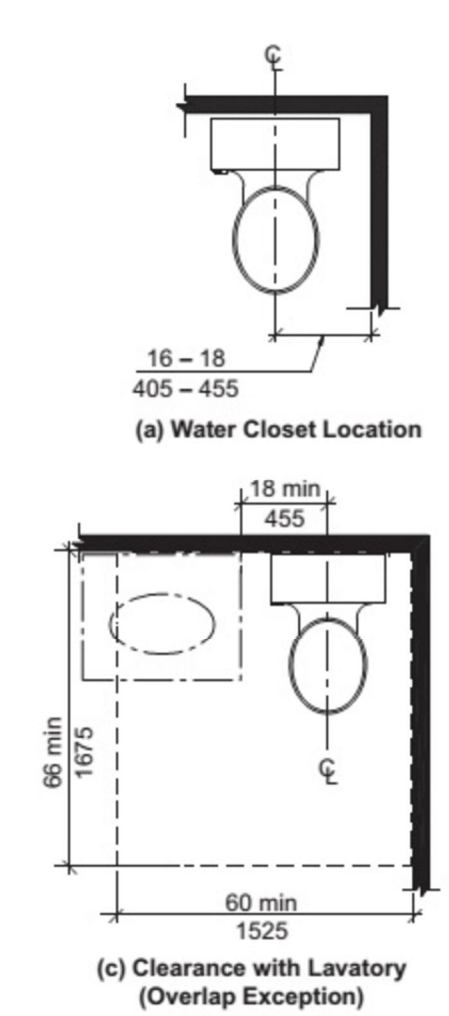
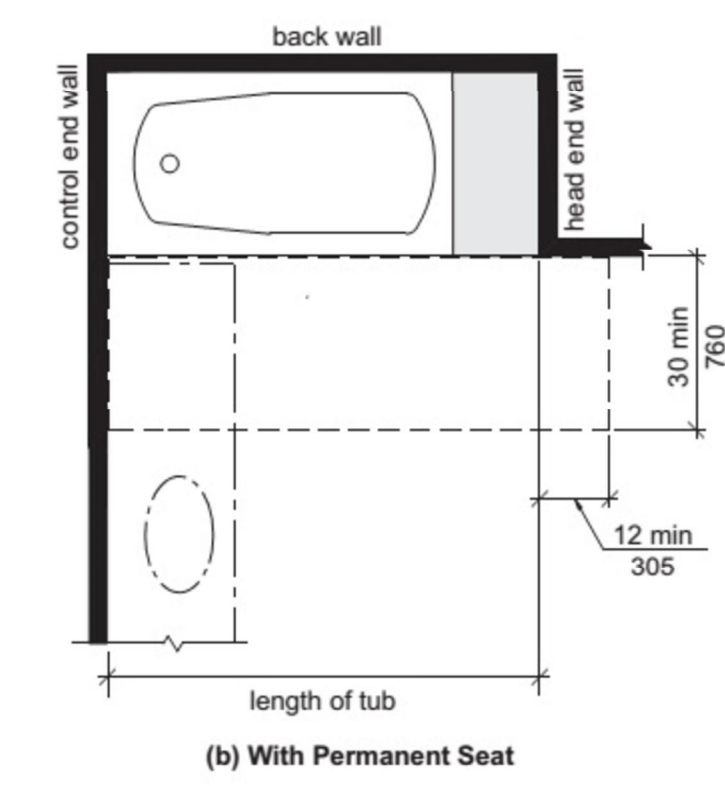
G U-SHAPED KITCHEN CLEARANCE - TYPE B UNITS - EXCEPTION (Section 1104)
NO SCALE



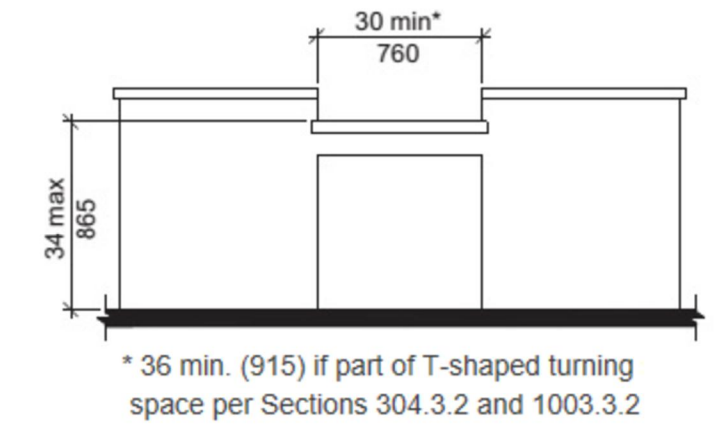
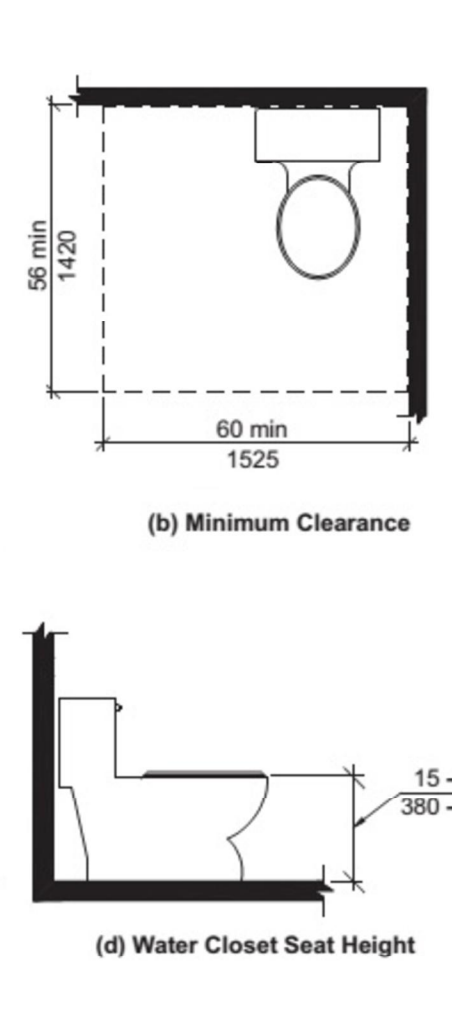
F ROLL-IN SHOWER CLEARANCES TYPE A UNITS (Section 1103)
NO SCALE



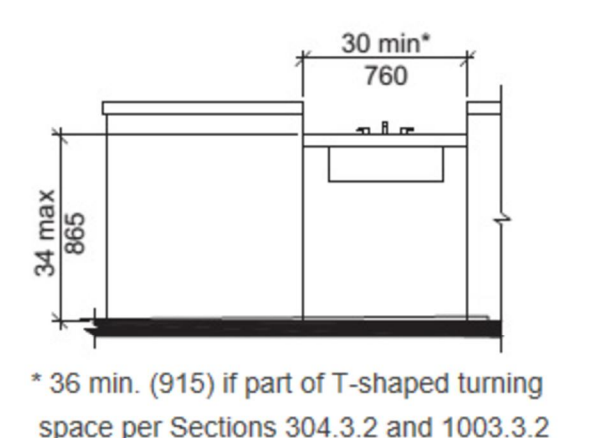
E BATHTUB CLEARANCES TYPE A UNITS (Section 1003)
NO SCALE



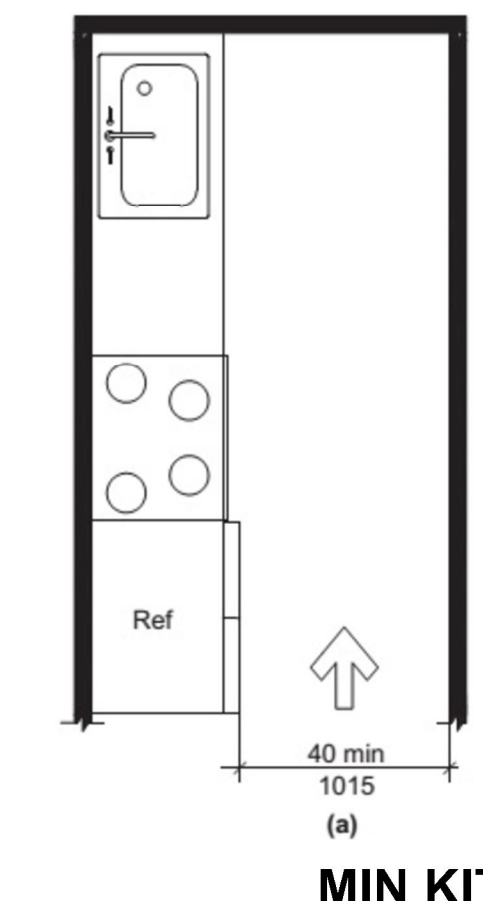
D WATER CLOSET CLEARANCES TYPE A UNITS (Section 1103)
NO SCALE



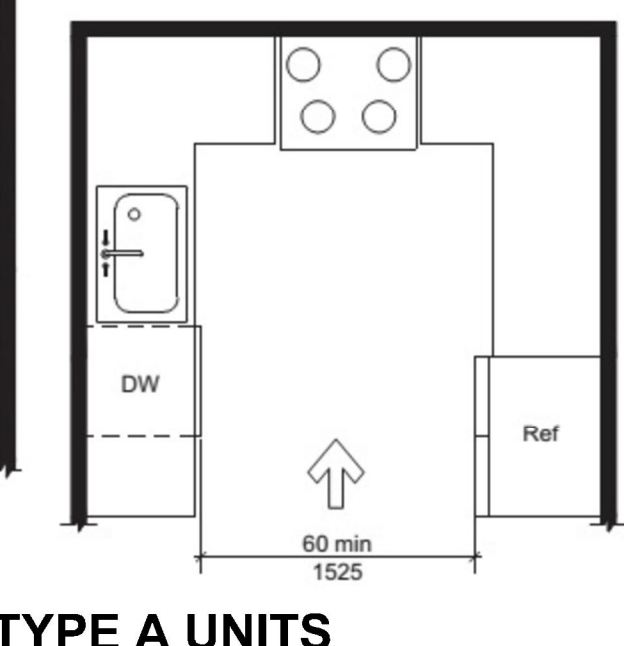
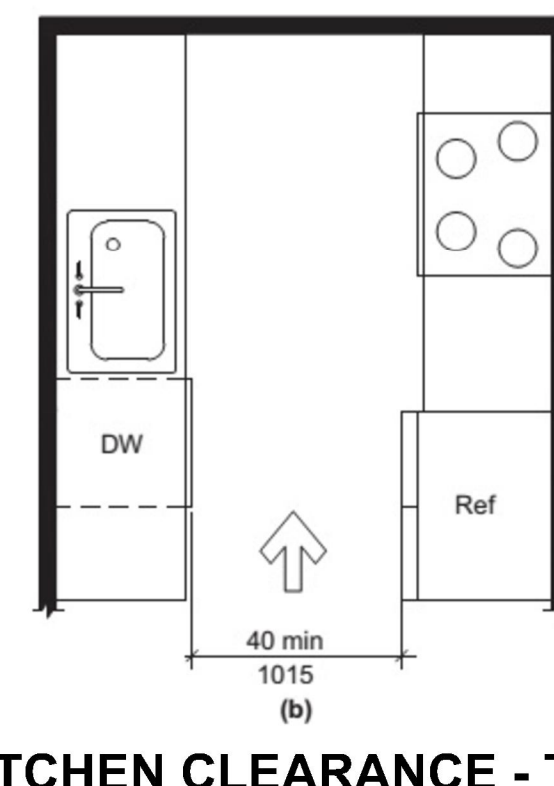
C WORK SURFACE - TYPE A UNITS (Section 1103)
NO SCALE



B KITCHEN SINK - TYPE A UNITS (Section 1103)
NO SCALE



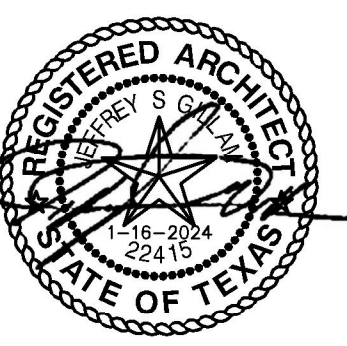
A MIN KITCHEN CLEARANCE - TYPE A UNITS (Section 1103)
NO SCALE



THIS SHEET IS FOR INFORMATIONAL PURPOSES ONLY & CONTAINS KEY ILLUSTRATIONS OF ICC A117.1-2017, ACCESSIBLE and USEABLE BUILDINGS and FACILITIES, FOR MORE INFORMATION REFERENCE ENTIRE REQUIREMENTS.

JGR
JonesGillamRenz
730 N. Ninth
Salina, KS 67401
1881 Main Street, Suite 301
Kansas City, MO 64108
785.627.0386
jgr@jgarchitects.com

ROOSEVELT LOFTS
HISTORIC REHABILITATION - APARTMENTS
SAN ANGELO, TEXAS



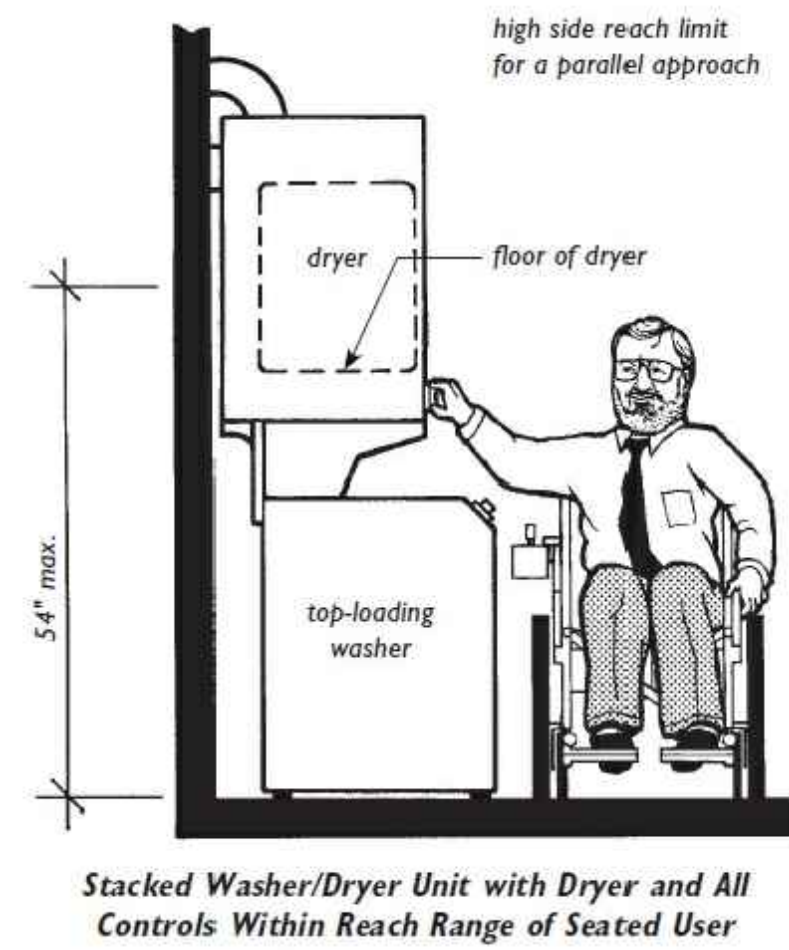
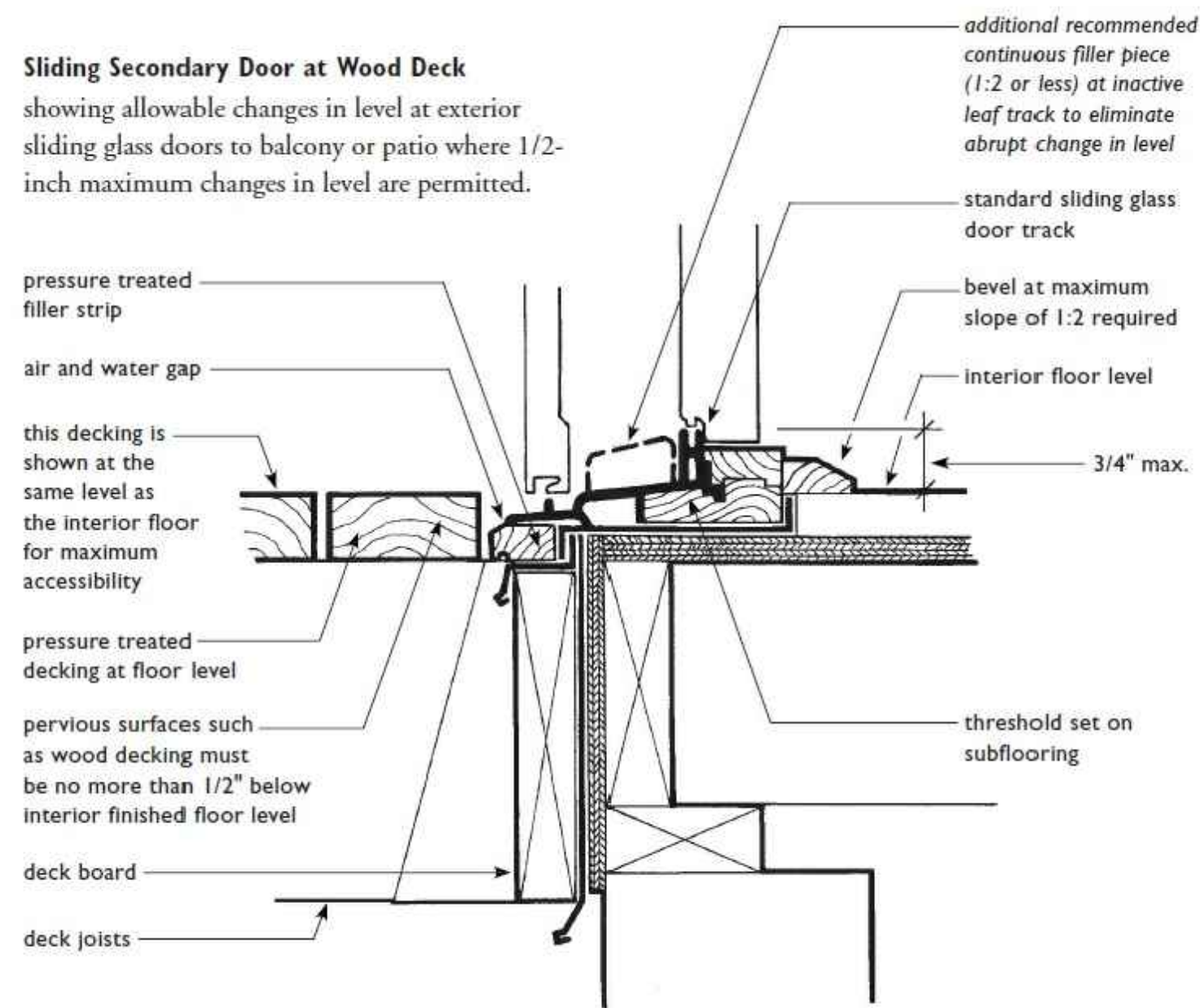
REVISION:
DATE: 1-16-2024
JOB: 22-3281
SHEET NO.:

ANSI-3
COPYRIGHTED

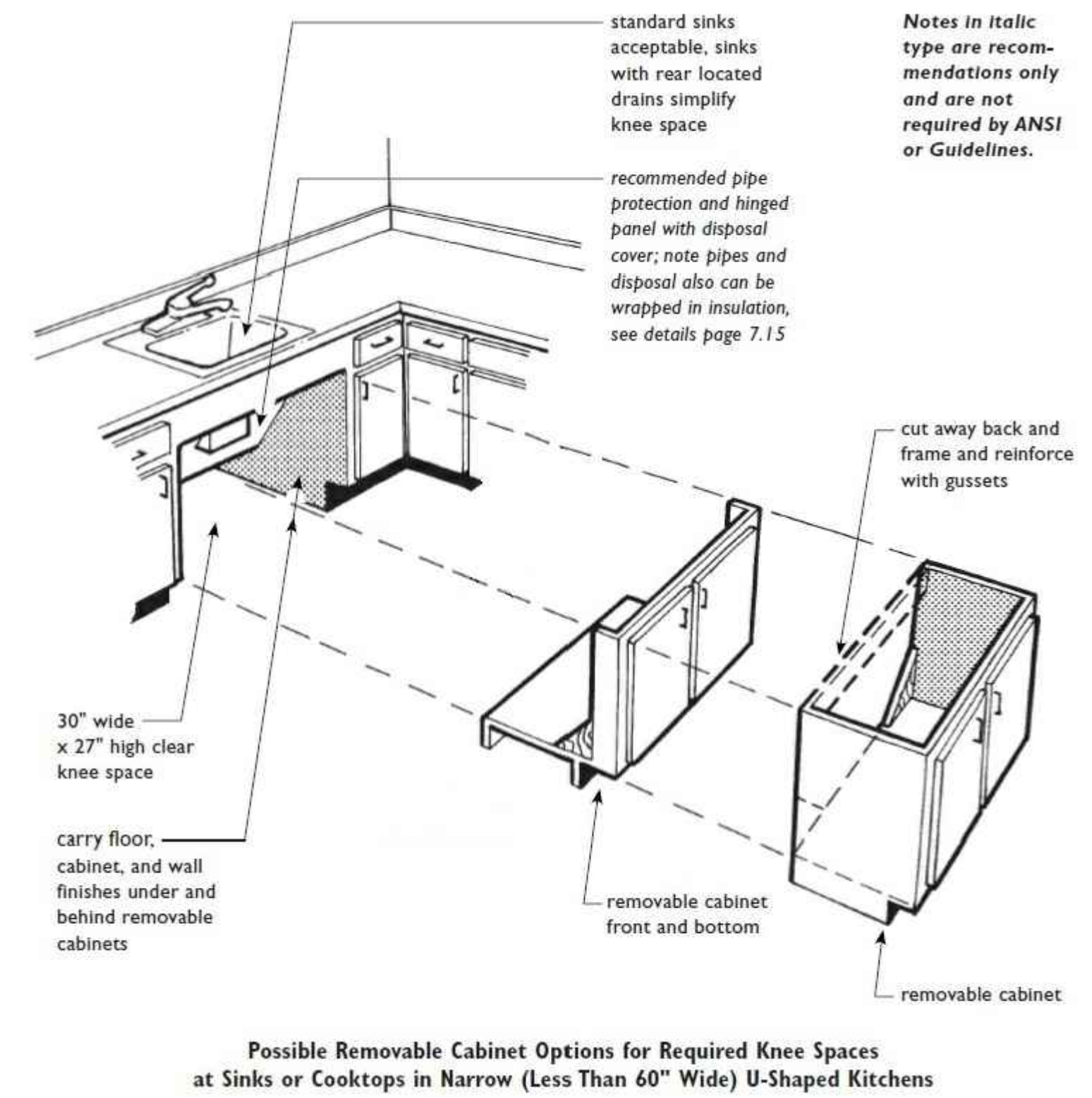
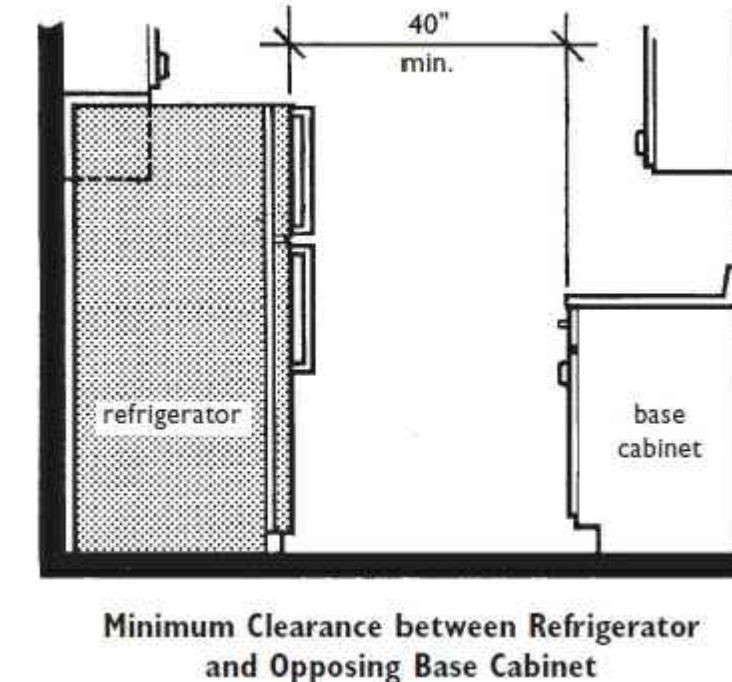
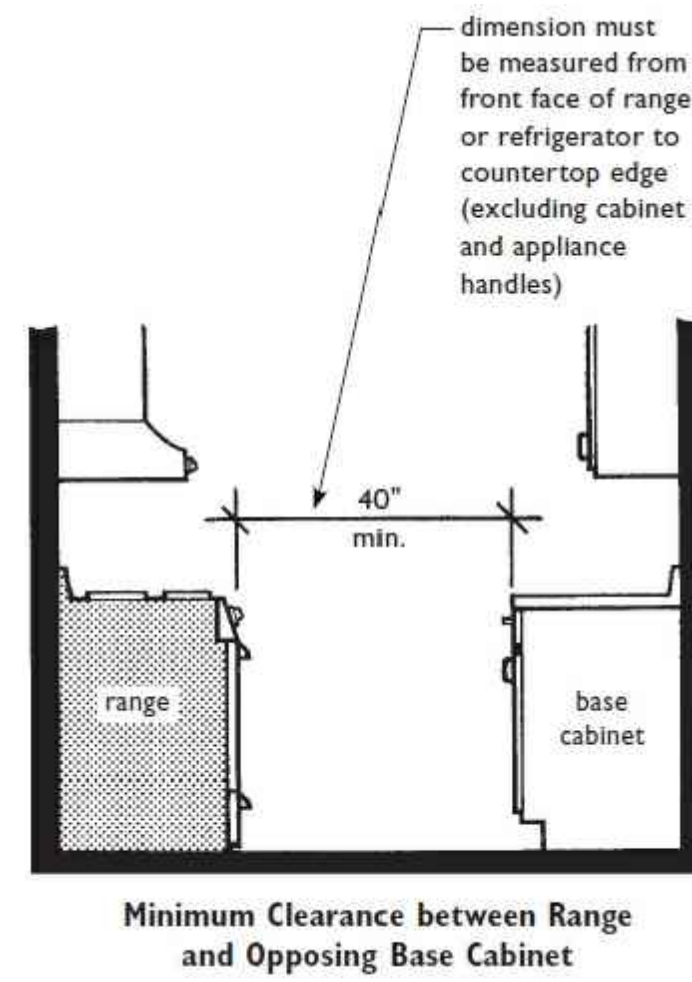
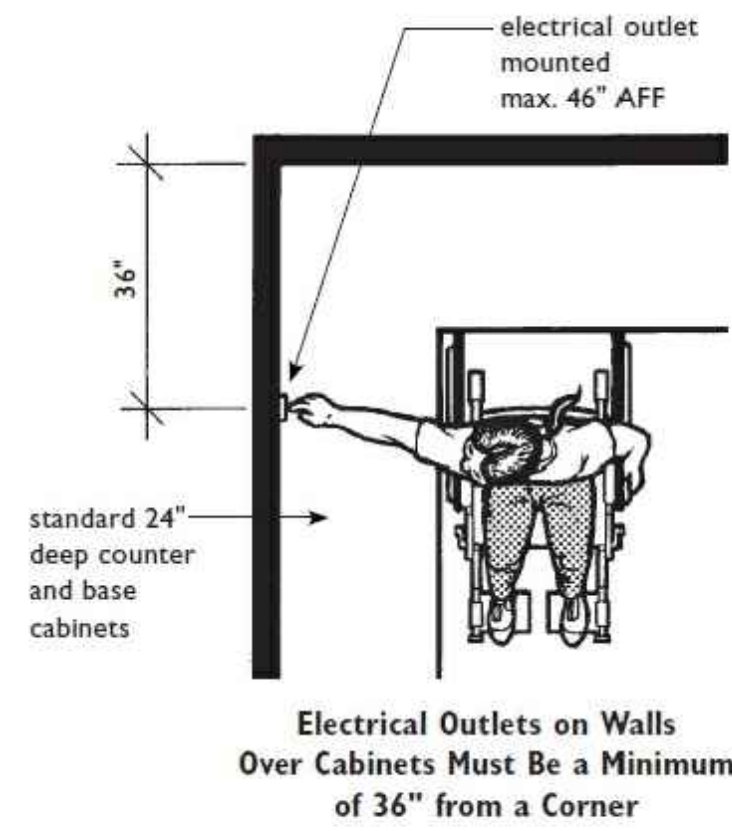
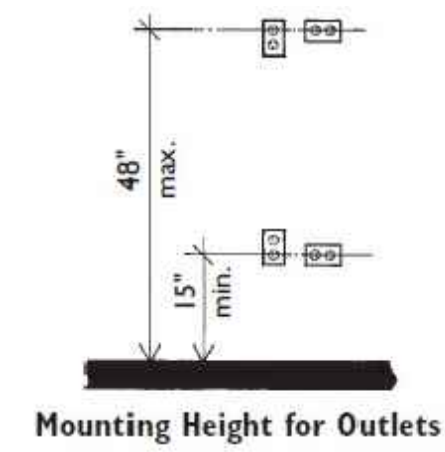


BP24-0000249
REVIEWED for code
compliance
4/15/2024

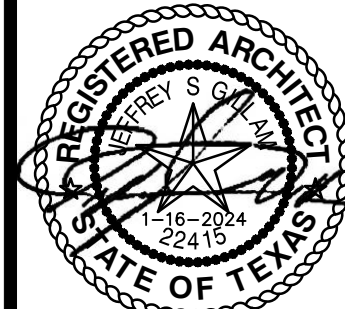
Sliding Secondary Door at Wood Deck
showing allowable changes in level at exterior sliding glass doors to balcony or patio where 1/2-inch maximum changes in level are permitted.



Stacked Washer/Dryer Unit with Dryer and All Controls Within Reach Range of Seated User



THIS FAIR HOUSING SHEET IS FOR INFORMATIONAL PURPOSES ONLY & CONTAINS KEY ILLUSTRATIONS THAT ARE NOT INDICATED ON ANSI-1, ANSI-2 & ANSI-3 (ICC A117.1-2017, ACCESSIBLE and USEABLE BUILDINGS and FACILITIES)

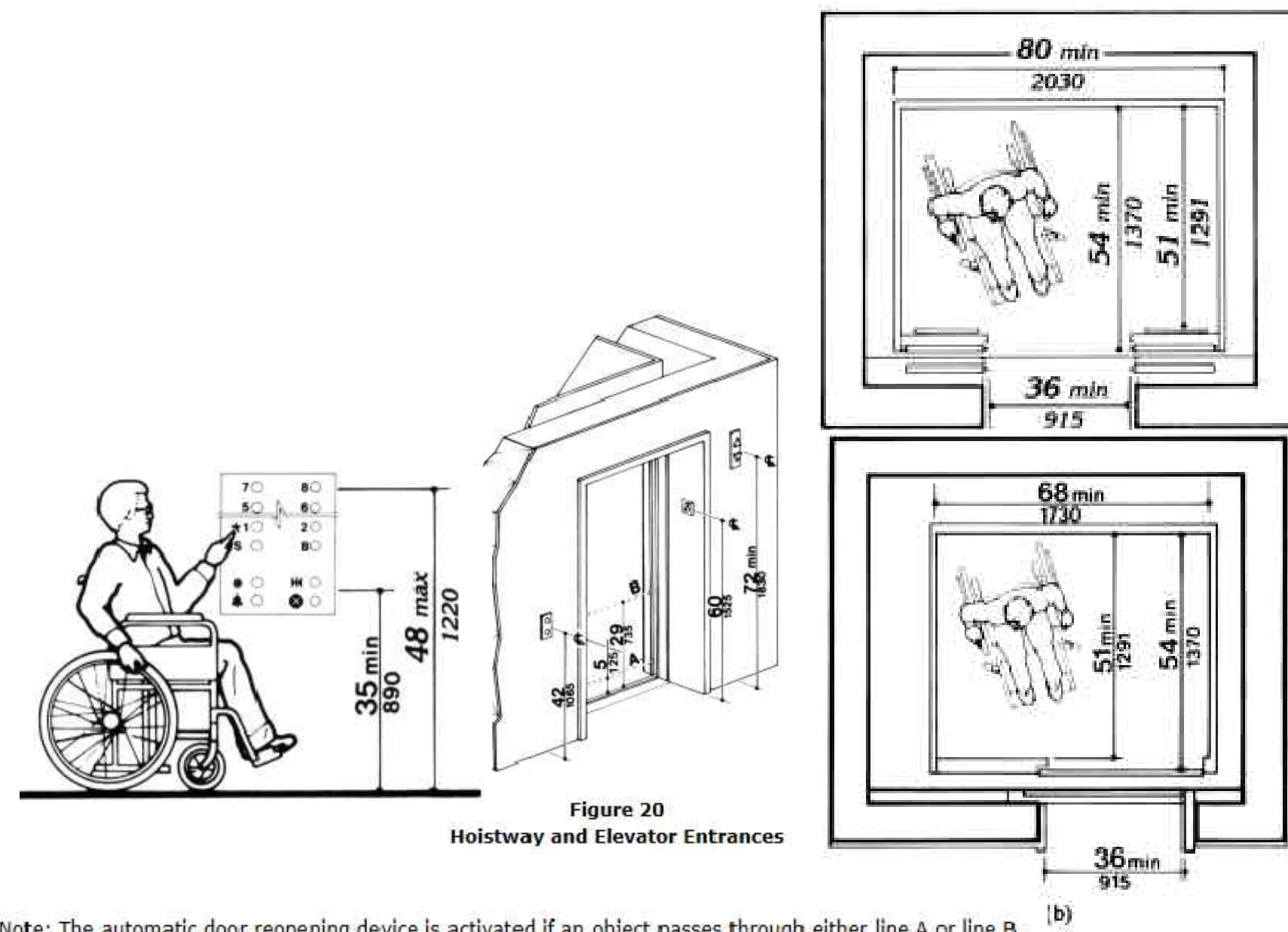
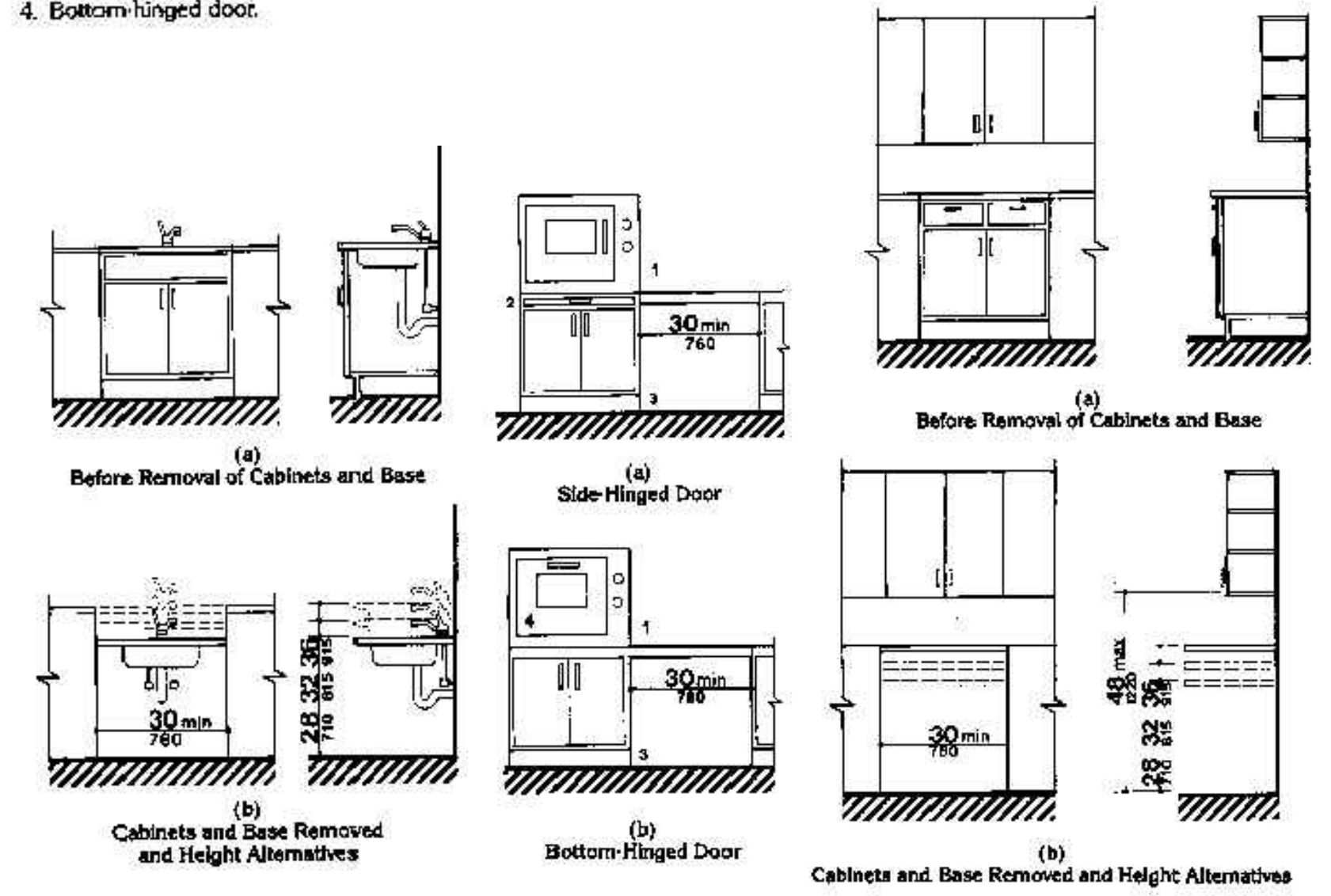


REVISION:
DATE: 1-16-2024
JOB: 22-3281
SHEET NO.:



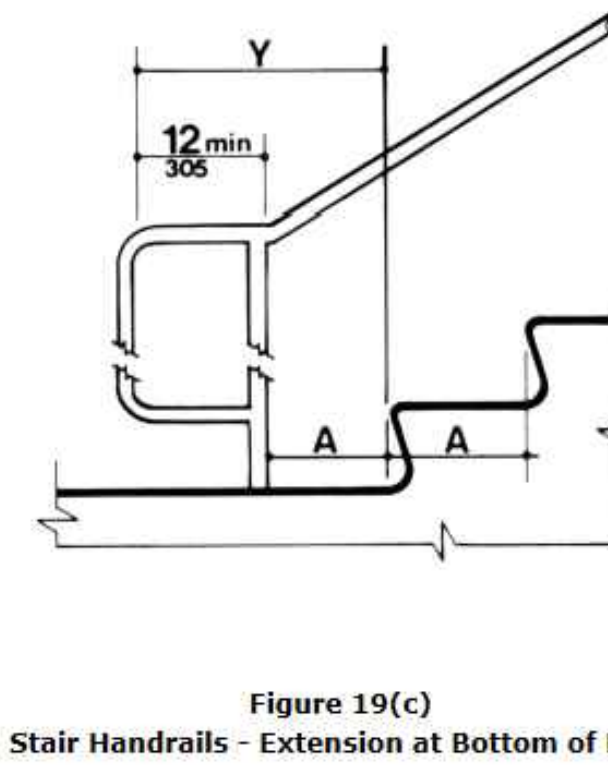
BP24-0000249
 REVIEWED for code
 compliance
 4/15/2024

- SYMBOL KEY:
1. Countertop or wall-mounted oven.
 2. Pull out board preferred with side-opening door.
 3. Clear open space.
 4. Bottom-hinged door.



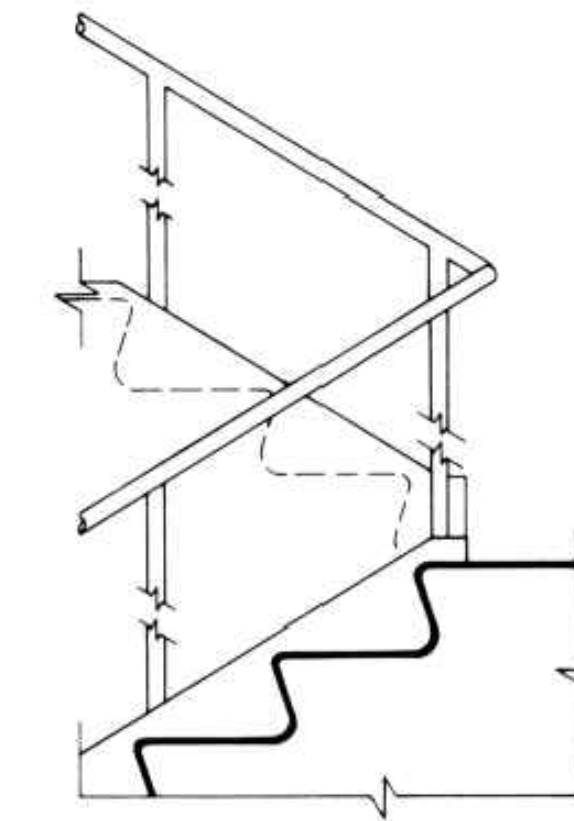
Note: The automatic door reopening device is activated if an object passes through either line A or line B. Line A and line B represent the vertical locations of the door reopening device not requiring contact.

F STANDARD UFAS ELEVATOR DETAILS
 NO SCALE

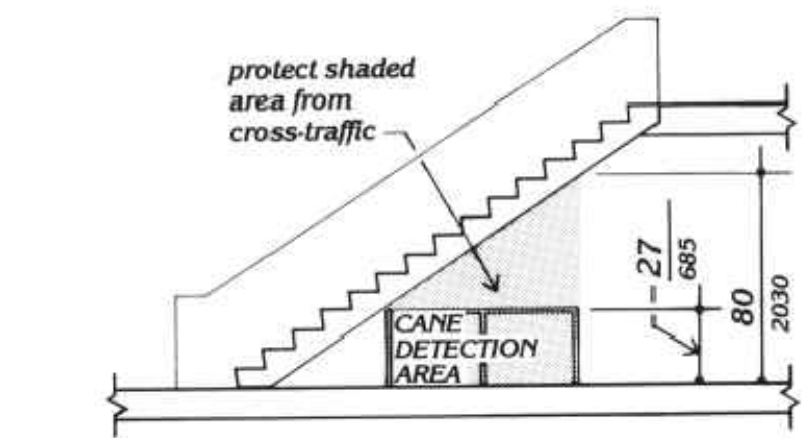


Note: X is the 12 in minimum handrail extension required at each top riser. Y is the minimum handrail extension of 12 in plus the width of one tread that is required at each bottom riser.

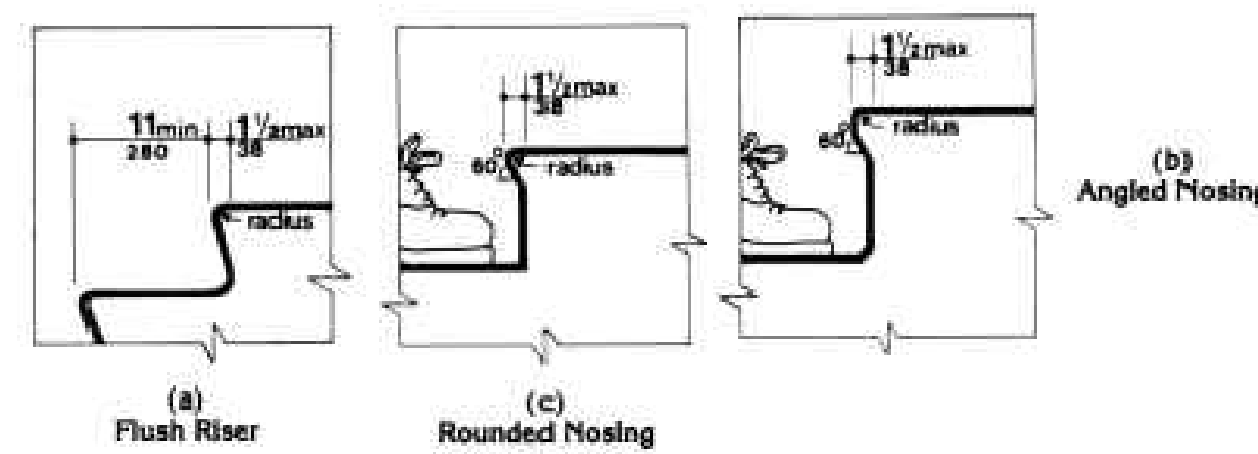
E STANDARD UFAS HANDRAILS
 NO SCALE



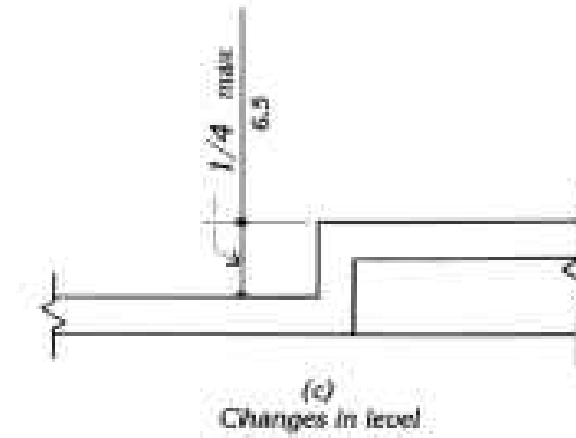
Note: X is the 12 in minimum handrail extension required at each top riser. Y is the minimum handrail extension of 12 in plus the width of one tread that is required at each bottom riser.



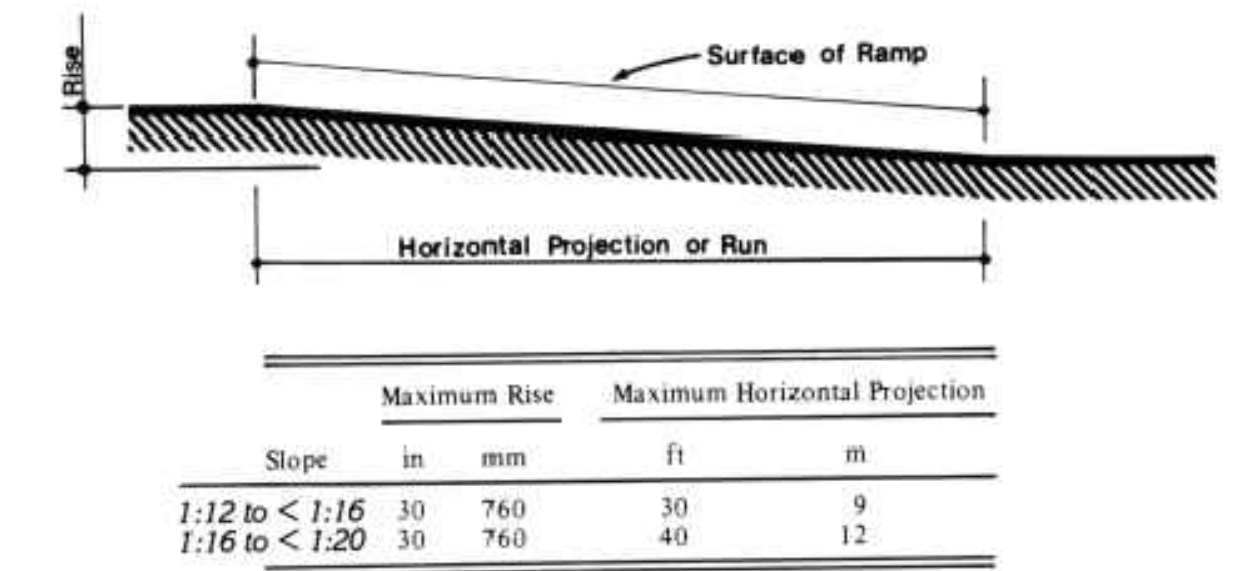
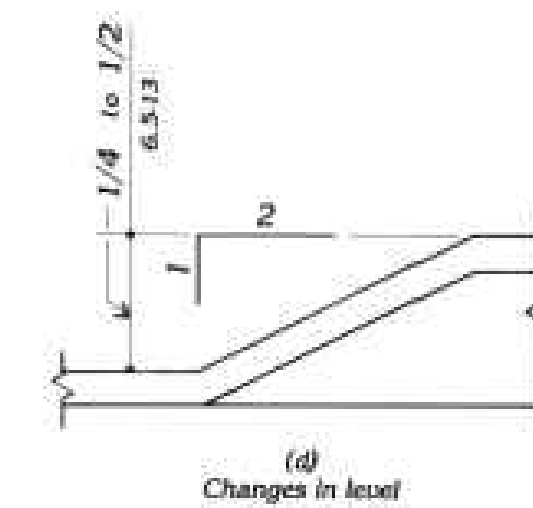
D GENERAL UFAS DIAGRAM
 NO SCALE



C STAIR NOSINGS
 NO SCALE

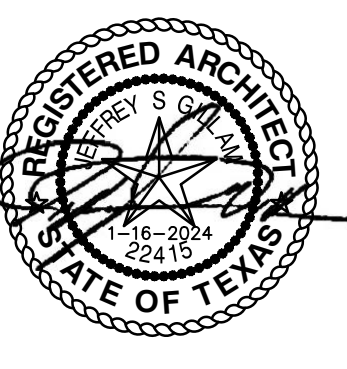


B UFAS CHANGE IN LEVEL DIAGRAM
 NO SCALE



A SLOPE AND RISE
 NO SCALE

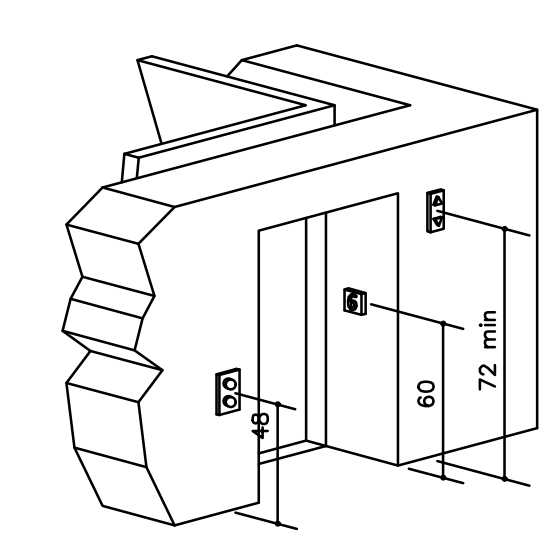
THIS UNIFORM FEDERAL ACCESSIBILITY STANDARD SHEET IS FOR INFORMATIONAL PURPOSES ONLY & CONTAINS KEY ILLUSTRATIONS THAT ARE NOT INDICATED ON ANSI-1, ANSI-2 & ANSI-3 (ICC A117.1-2017, ACCESSIBLE and USEABLE BUILDINGS and FACILITIES)



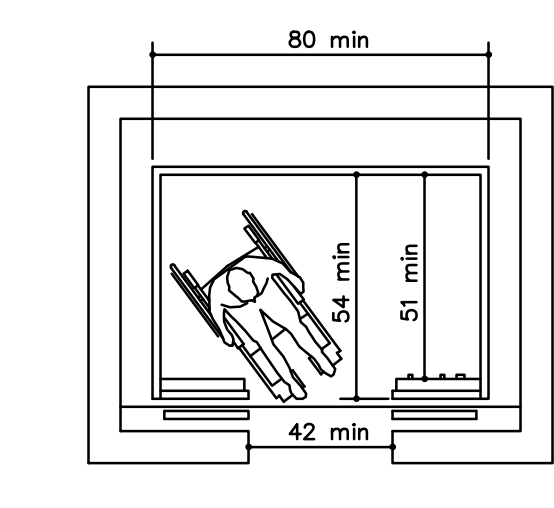
REVISION:
 DATE: 1-16-2024
 JOB: 22-3281
 SHEET NO.:



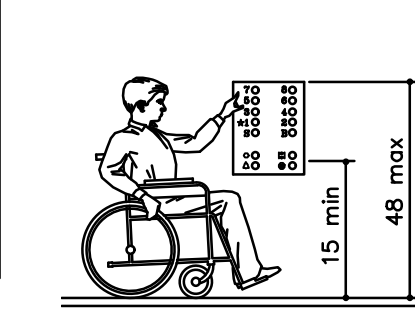
PERMITS & INSPECTIONS
BP24-0000249
REVIEWED for code compliance
4/15/2024



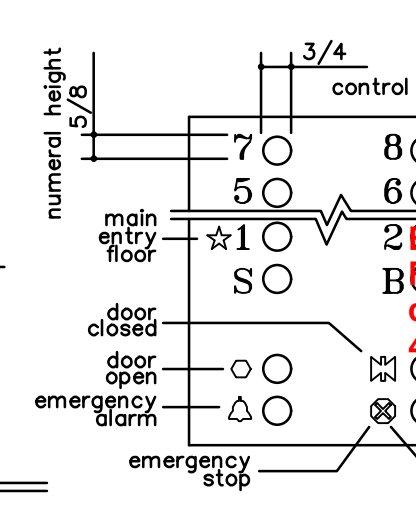
Hoistway and Elevator Entrances



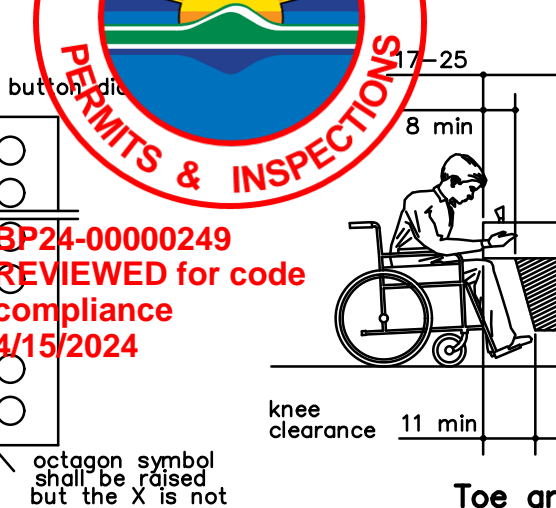
Minimum Dimensions for Elevator Car



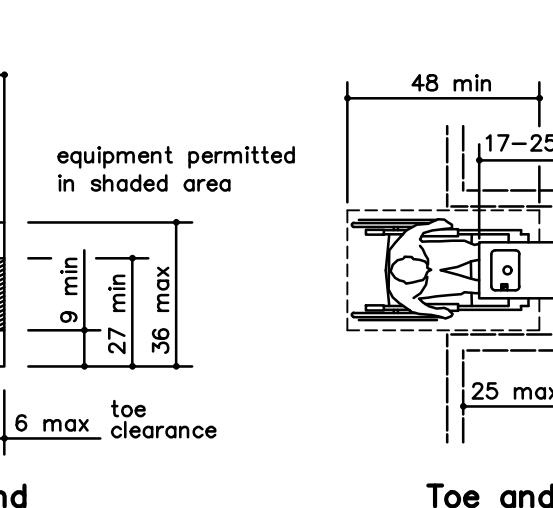
Car Control Height



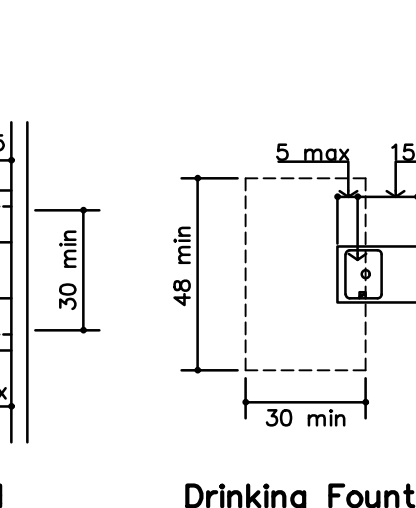
Panel Detail



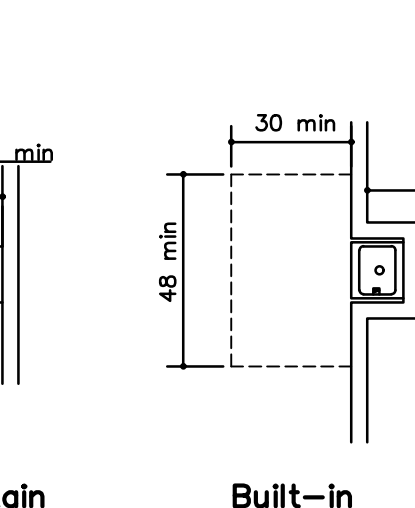
Toe and Knee Clearance Elevation



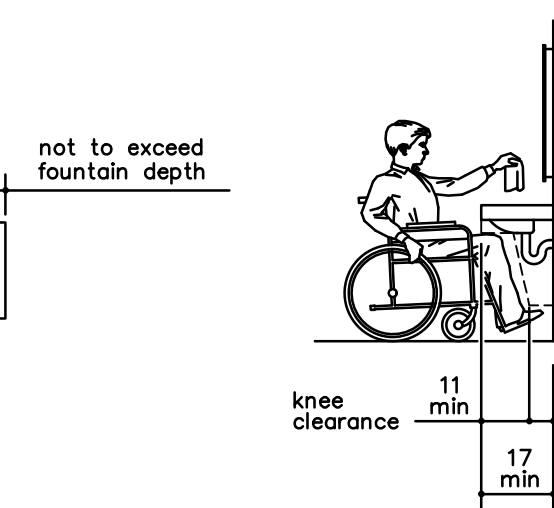
Toe and Knee Clearance Plan



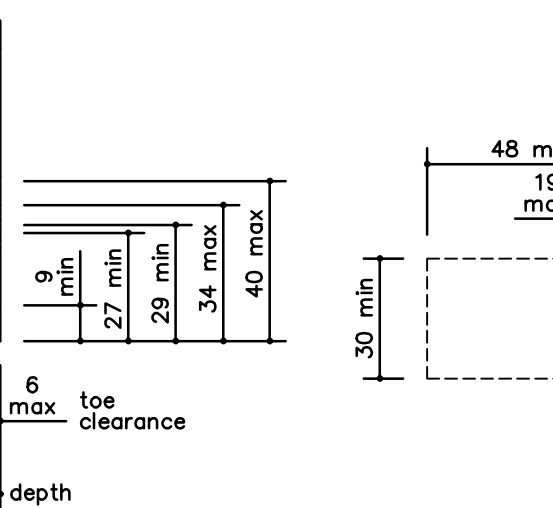
Drinking Fountain Spout Location



Built-in Fountain or Cooler



Lavatory Clearances at Lavatories

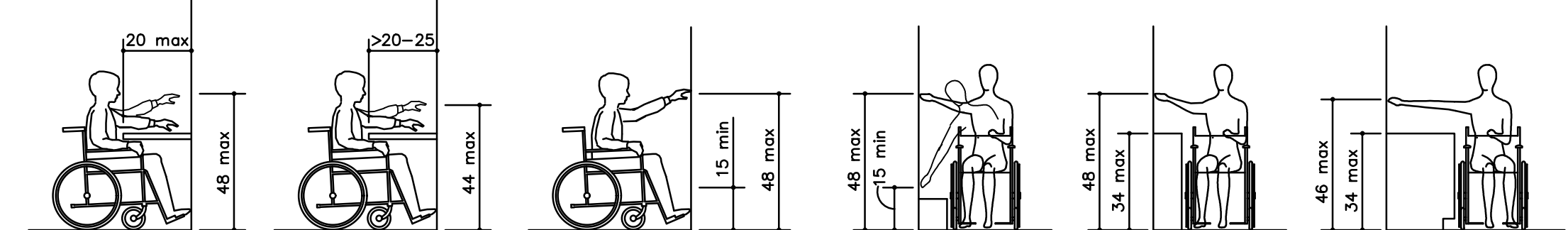


Clear Floor Space at Lavatories

M STANDARD ELEVATOR DIAGRAMS

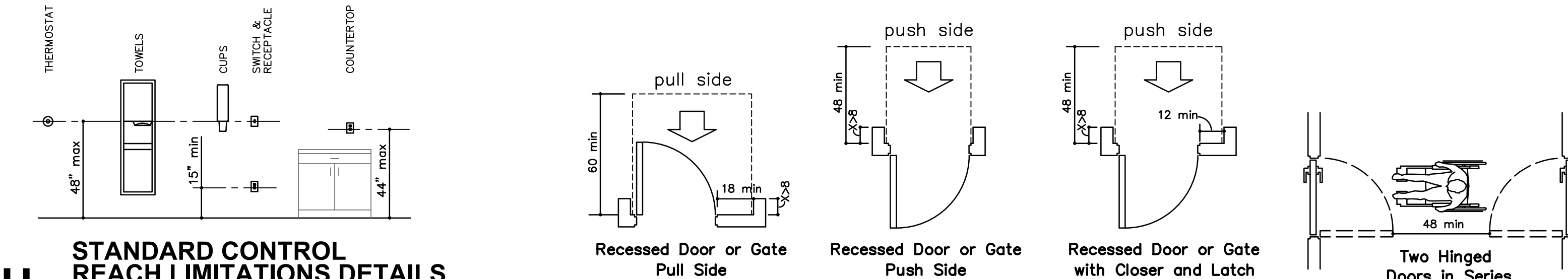
L STANDARD DRINKING FOUNTAIN DETAILS

K STANDARD LAVATORY DETAILS



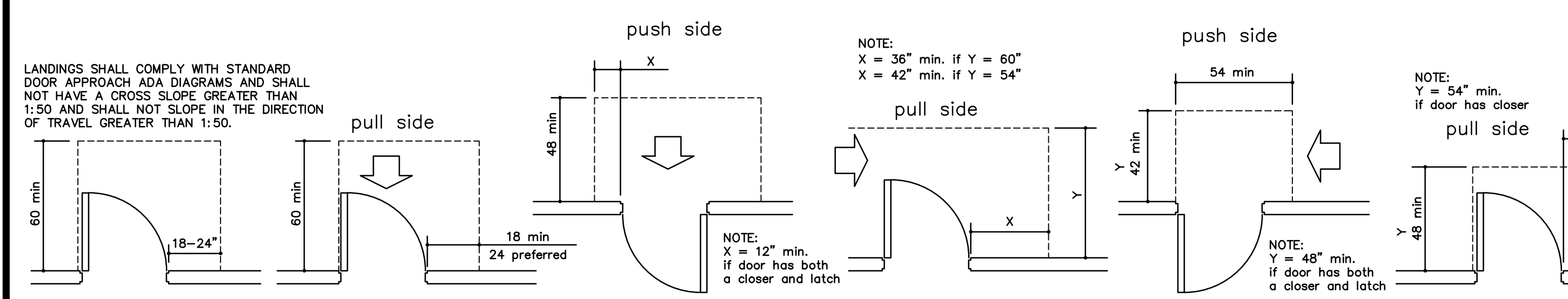
Obstructed High Forward Reach, Unobstructed Forward Reach, Unobstructed Side Reach, Obstructed High Side Reach

J STANDARD REACH TSA DIAGRAMS



Recessed Door or Gate Pull Side, Recessed Door or Gate Push Side, Recessed Door or Gate with Closer and Latch, Two Hinged Doors in Series

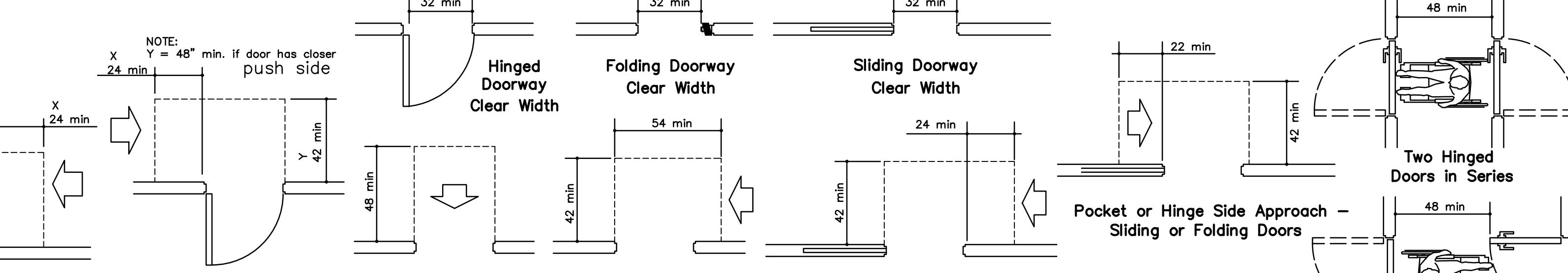
H STANDARD CONTROL REACH LIMITATIONS DETAILS



Exterior Landing, Front Approach - Swinging Door, Hinge Side Approach - Swinging Door, Side Approach - Swinging Door, Latch Side Approach - Swinging Door, Latch Side Approach - Sliding or Folding Doors, Front Approach - Sliding or Folding Doors, Side Approach - Sliding or Folding Doors, Stop or Latch Side Approach - Sliding or Folding Doors

G STANDARD DOOR APPROACH DIAGRAMS

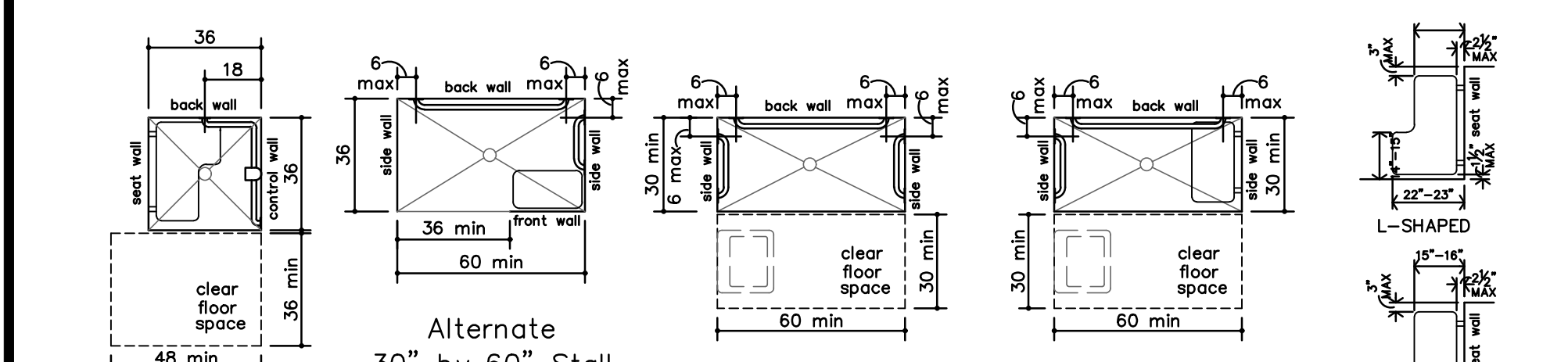
LANDINGS SHALL COMPLY WITH STANDARD DOOR APPROACH ADA DIAGRAMS AND SHALL NOT HAVE A CROSS SLOPE GREATER THAN 1:50 AND SHALL NOT SLOPE IN THE DIRECTION OF TRAVEL GREATER THAN 1:50.



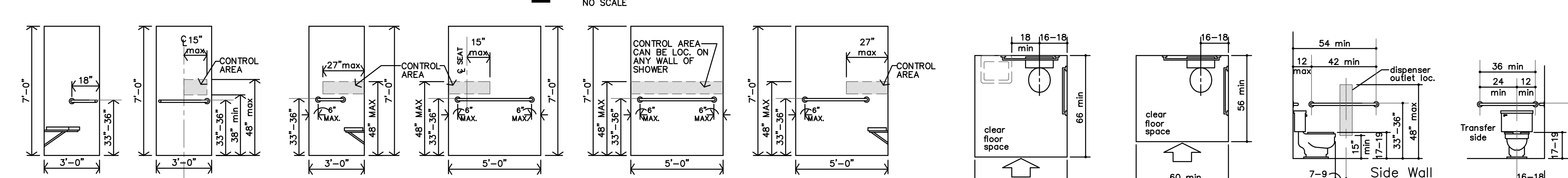
Clear Floor Space at Urinal, Heights at Urinal, Wall hung type, Stall type, Controls Location, Grab Bars at Removable Seat, Grab Bars at Permanent Seat, Clear Floor Space at Bathtub With Removable Seat, Clear Floor Space at Bathtub With Permanent Seat

F STANDARD URINAL DIAGRAMS

E STANDARD BATHROOM/TUB DIAGRAMS

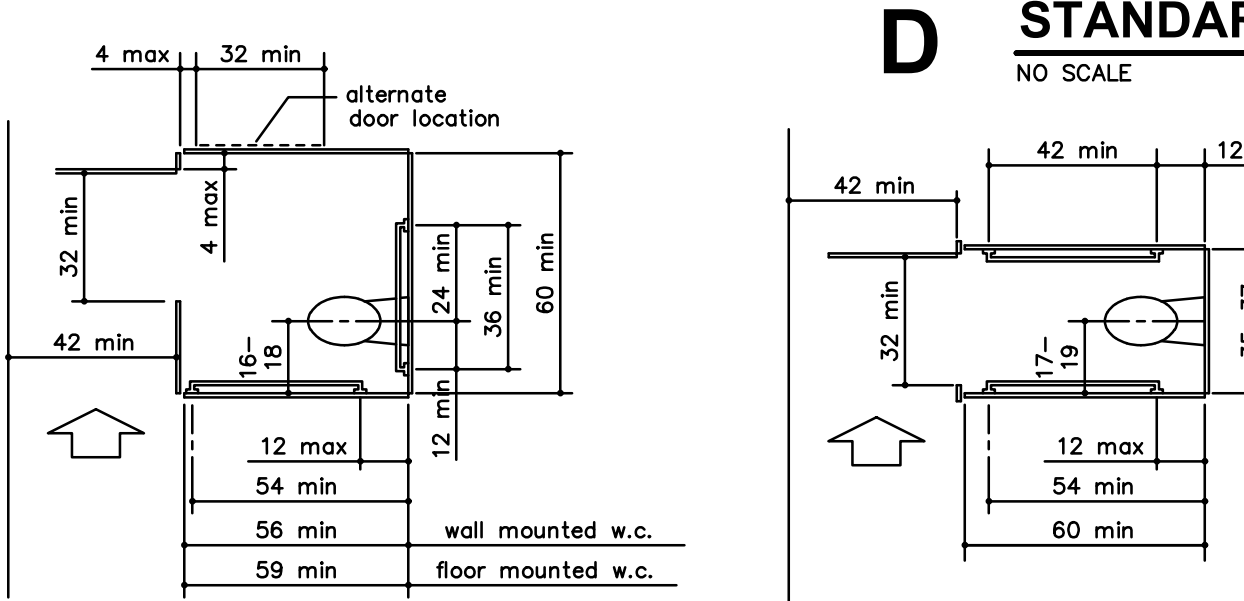


36" by 36" Stall Shower Size and Clearances, Alternate Roll in Type Shower Compartment Size and Clearance Type, Standard Roll in 30" by 60" Stall Without Seat, Standard Roll in 30" by 60" Stall With Seat



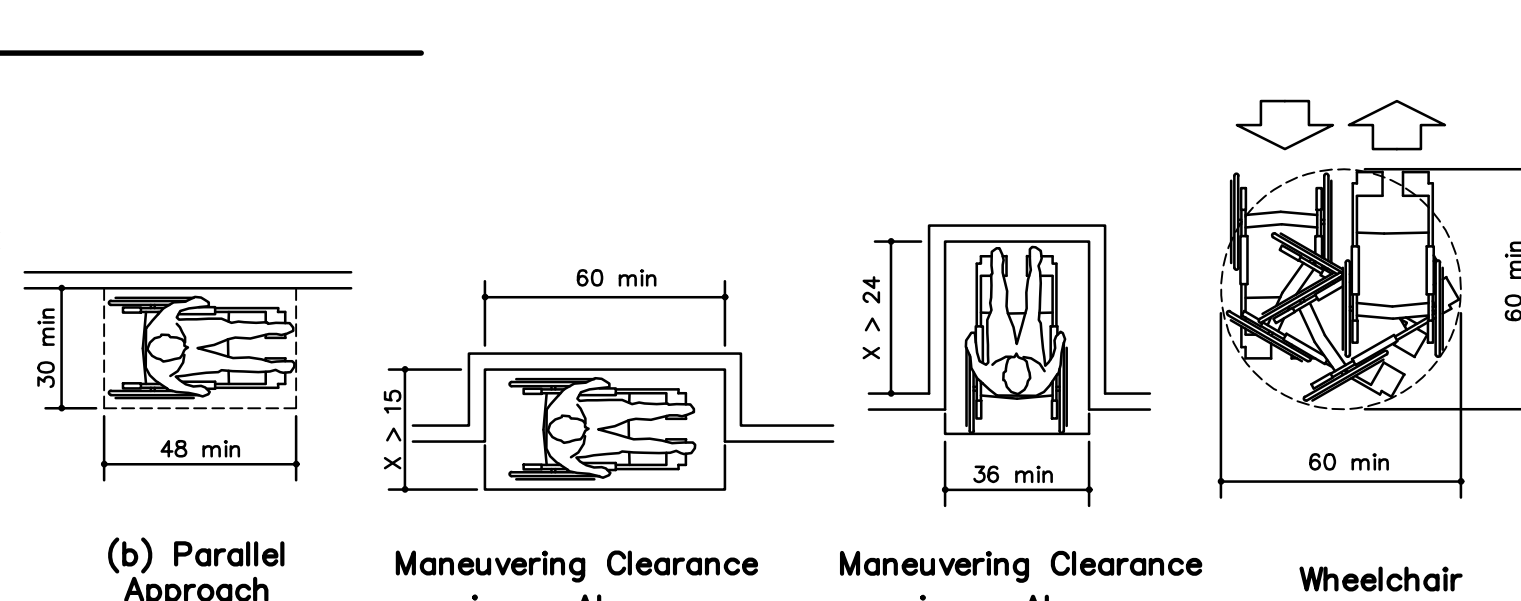
36" by 36" Stall Grab bars at Shower Stall, Alternate 30" by 60" Stall Grab bars at Shower Stall, 30" by 60" Stall Grab bars at Shower Stall, 30" by 60" Stall Grab bars at Shower Stall, Overlap of Water Closet Clearance in Residential Dwelling Units (Exception), Clear Floor Space at Water Closet, Grab Bars at Water Closets, Back Wall of Standard Stall

C STANDARD TOILET DIAGRAMS



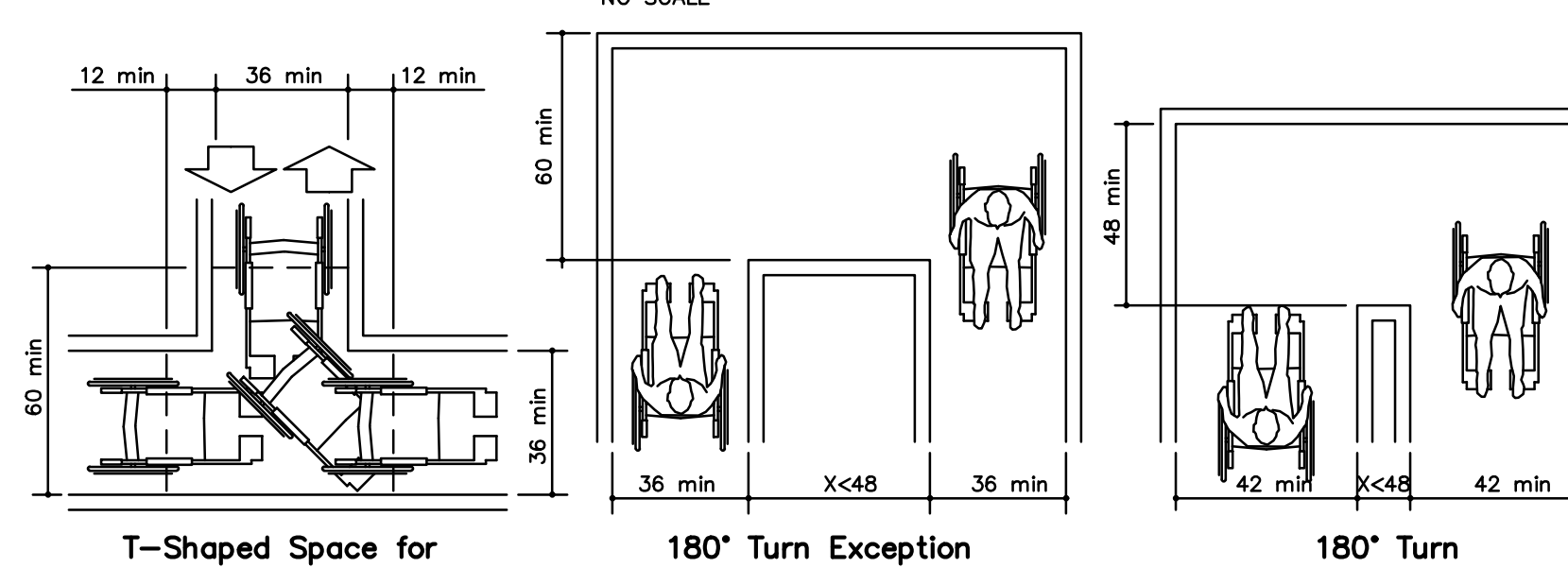
Wheelchair Accessible Toilet Compartment, Ambulatory Accessible Toilet Compartment

D STANDARD SHOWER DIAGRAMS



Clear Floor or Ground Space, Forward Approach, Parallel Approach, Maneuvering Clearance in an Alcove, Parallel Approach, Maneuvering Clearance in an Alcove, Forward Approach, Wheelchair Turning Space

A STANDARD DIAGRAMS



T-Shaped Space for 180° Turns, 180° Turn Exception, 180° Turn

FOR REFERENCE ONLY



REVISION:
DATE: 1-16-2024
JOB: 22-3281
SHEET NO.:

TAS1

JonesGillamRenz
1881 Main Street, Suite 301
Salina, KS 67401
785.827.0386
jgr@jgarchitects.com

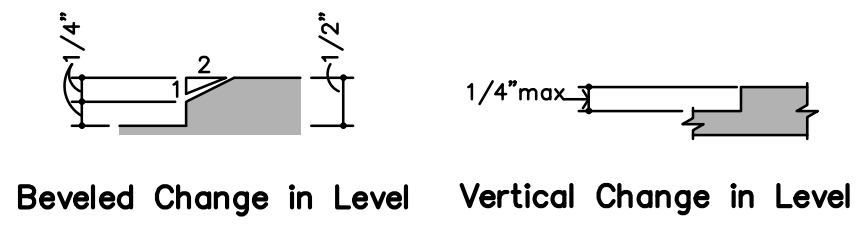


ROOSEVELT LOFTS
HISTORIC REHABILITATION - APARTMENTS
SAN ANGELO, TEXAS

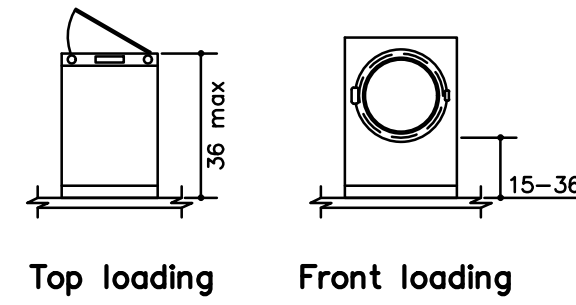
COPYRIGHTED



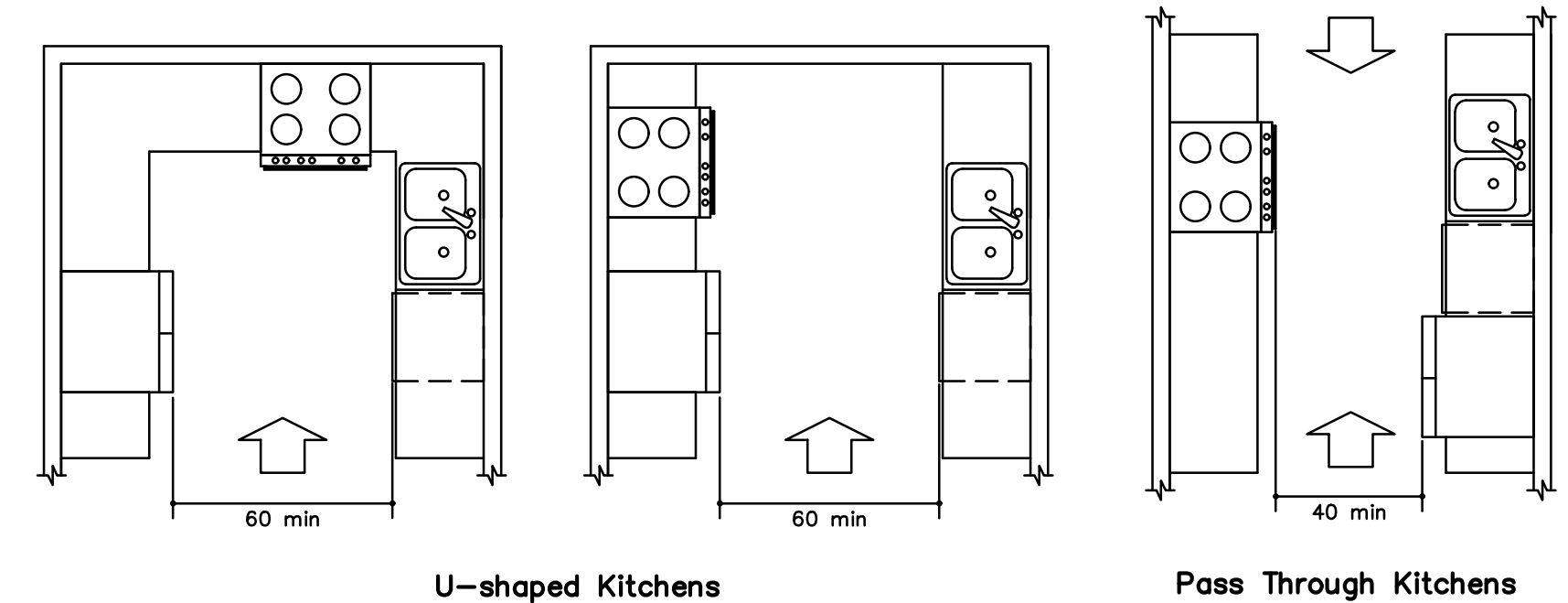
BP24-00000249
REVIEWED for code
compliance
4/15/2024



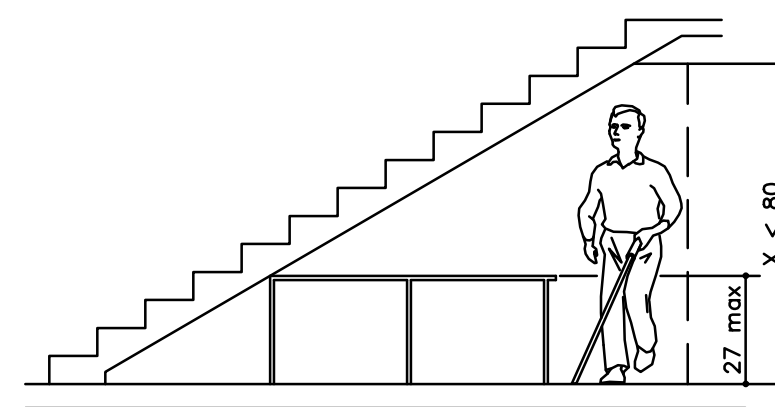
K THRESHOLD DIAGRAMS
NO SCALE



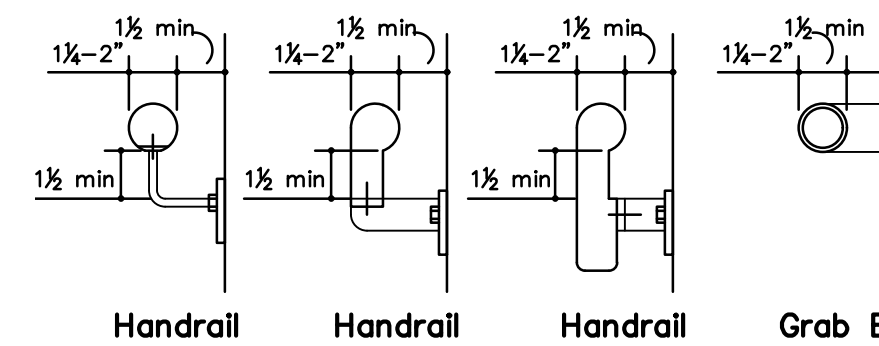
J LAUNDRY
NO SCALE



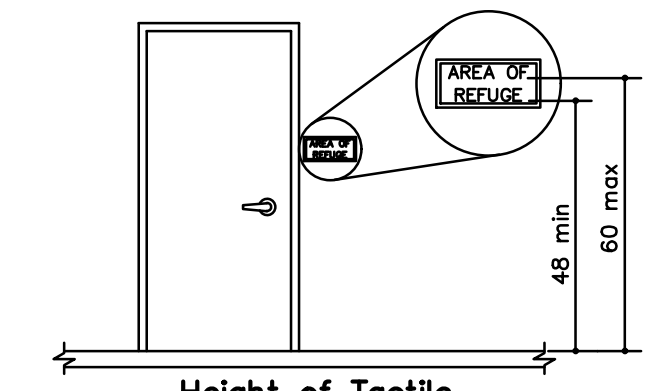
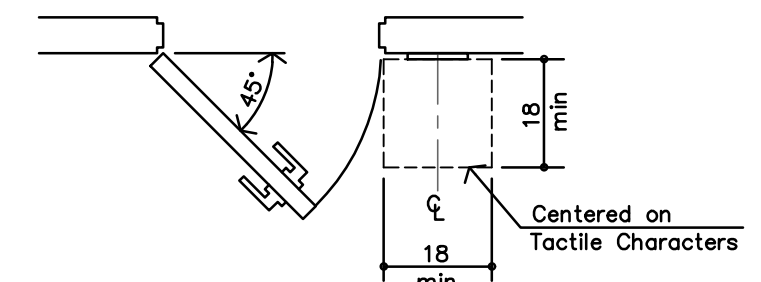
H KITCHENS
NO SCALE



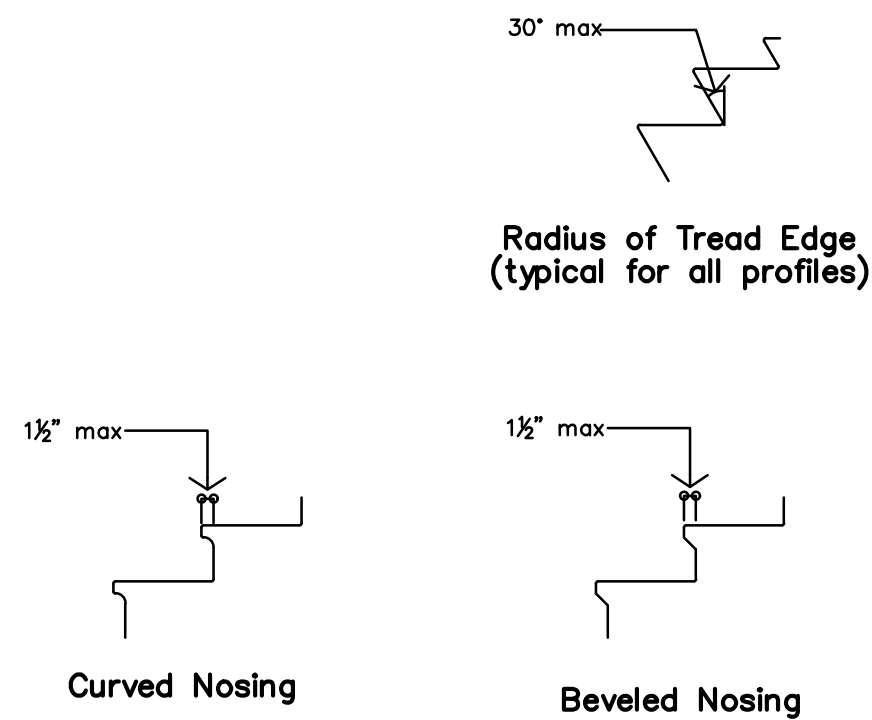
G STANDARD VERTICAL CLEARANCE
NO SCALE



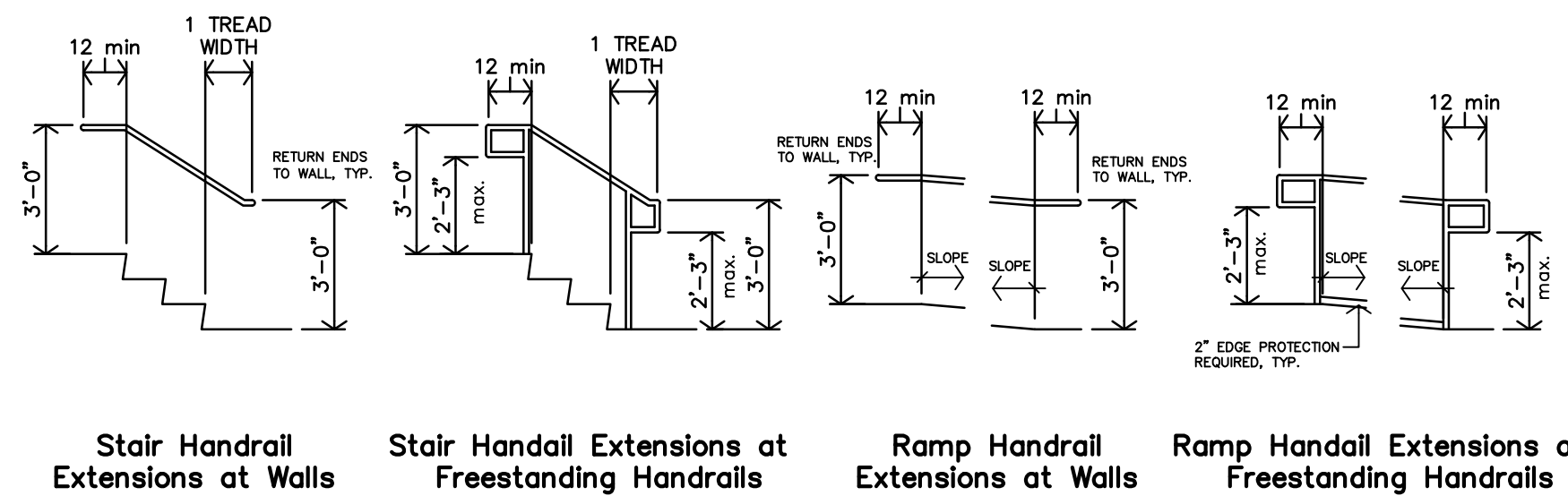
F STANDARD HANDRAIL/GRAB BAR DETAILS
NO SCALE



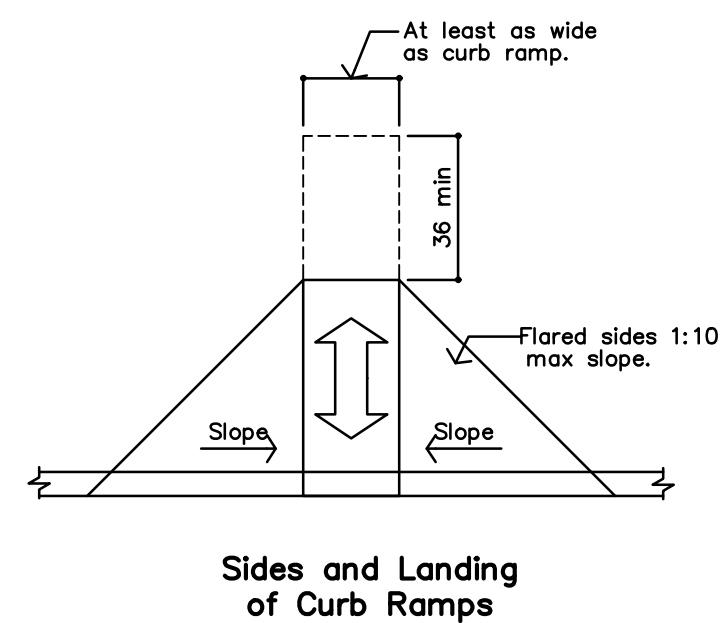
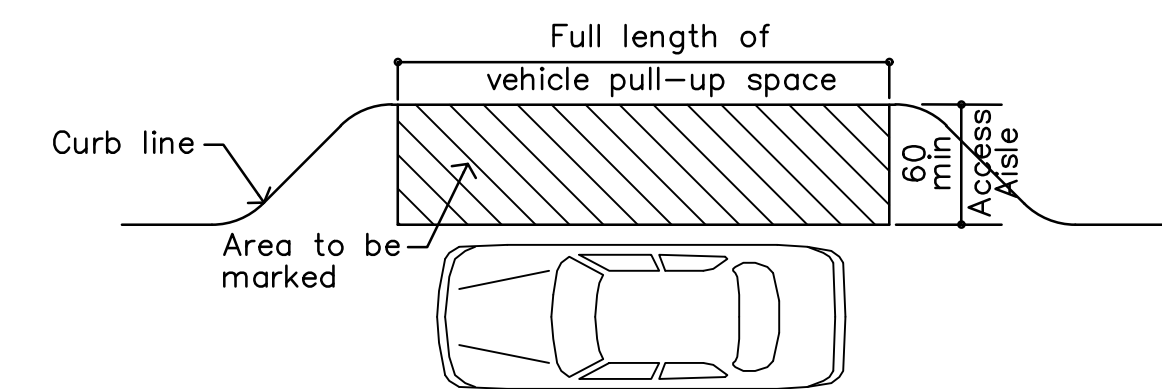
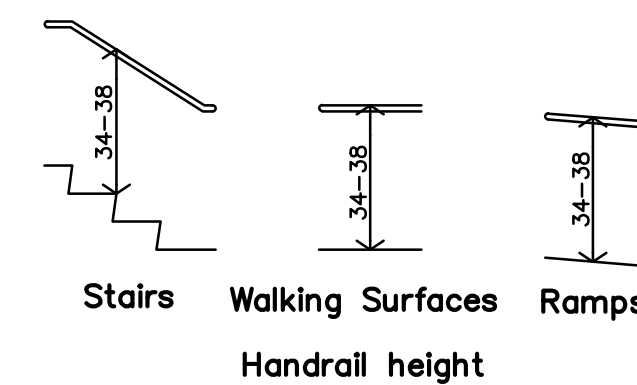
E TACTILE SIGN DIAGRAM
NO SCALE



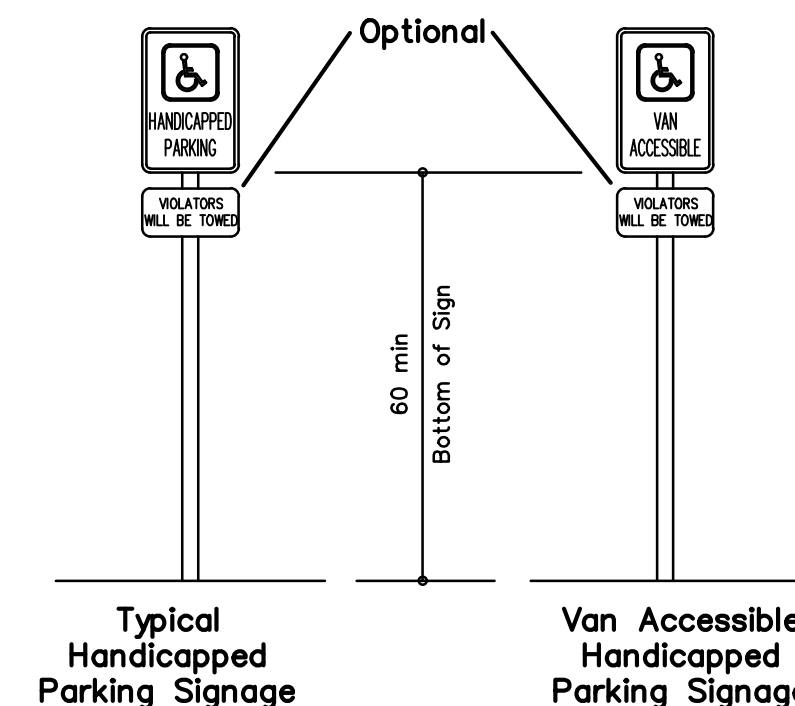
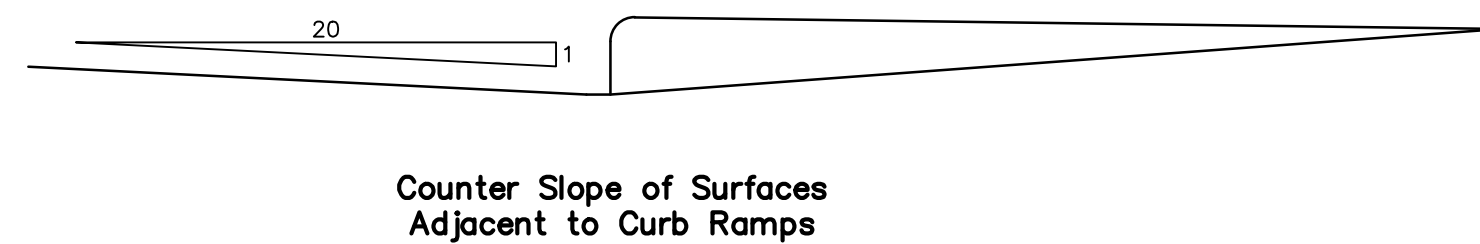
D STANDARD STAIR NOSING DETAILS
NO SCALE



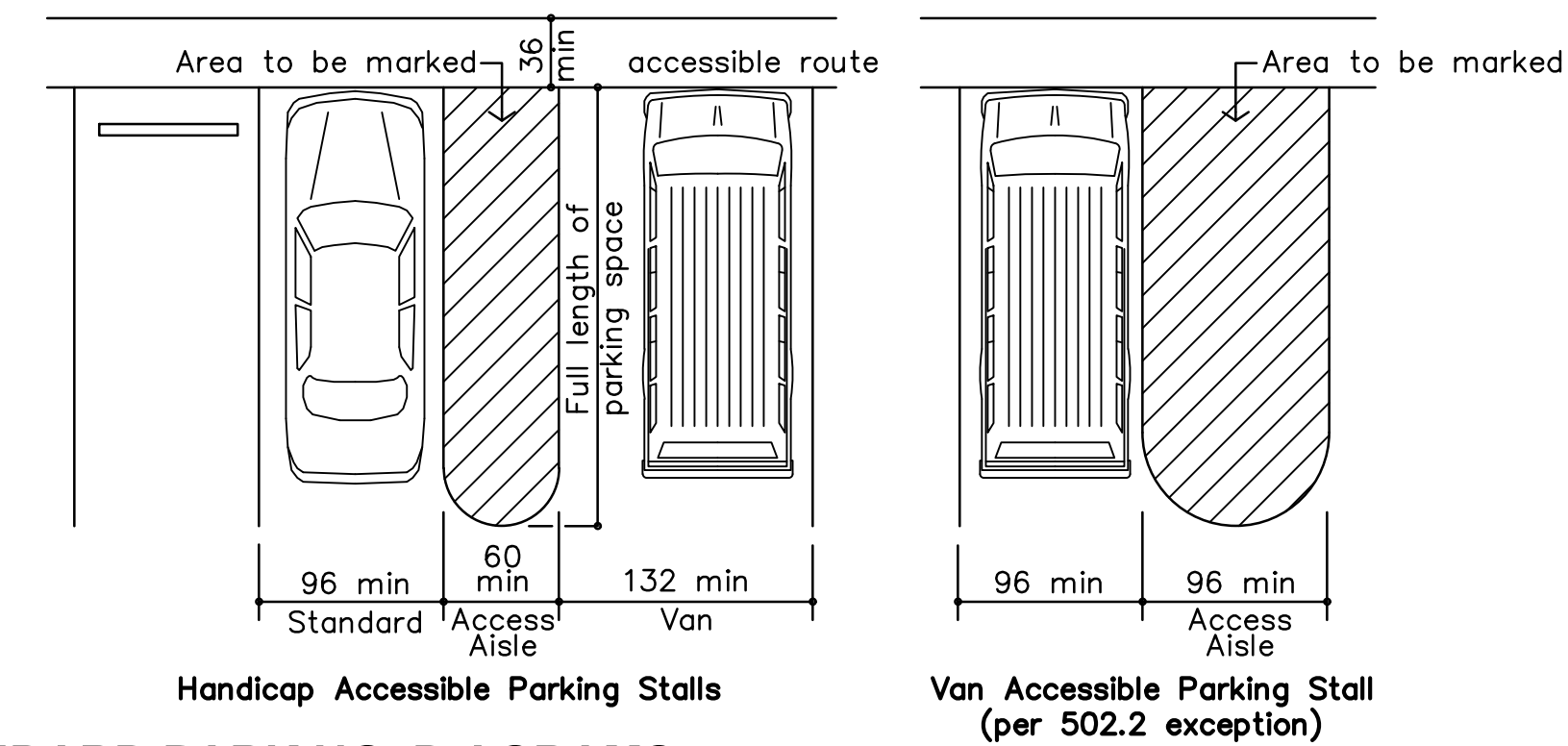
C STANDARD RAMP/STAIR HANDRAIL EXTENSIONS
NO SCALE



B STANDARD CURB RAMPS DIAGRAMS
NO SCALE



A STANDARD PARKING DIAGRAMS
NO SCALE



JonesGillamRenz
1881 Main Street, Suite 301
Kansas City, MO 64108
jgr@jgarchitects.com



ROOSEVELT LOFTS
HISTORIC REHABILITATION - APARTMENTS
SAN ANGELO, TEXAS



REVISION:
DATE: 1-16-2024
JOB: 22-3281
SHEET NO.:

FOR REFERENCE ONLY

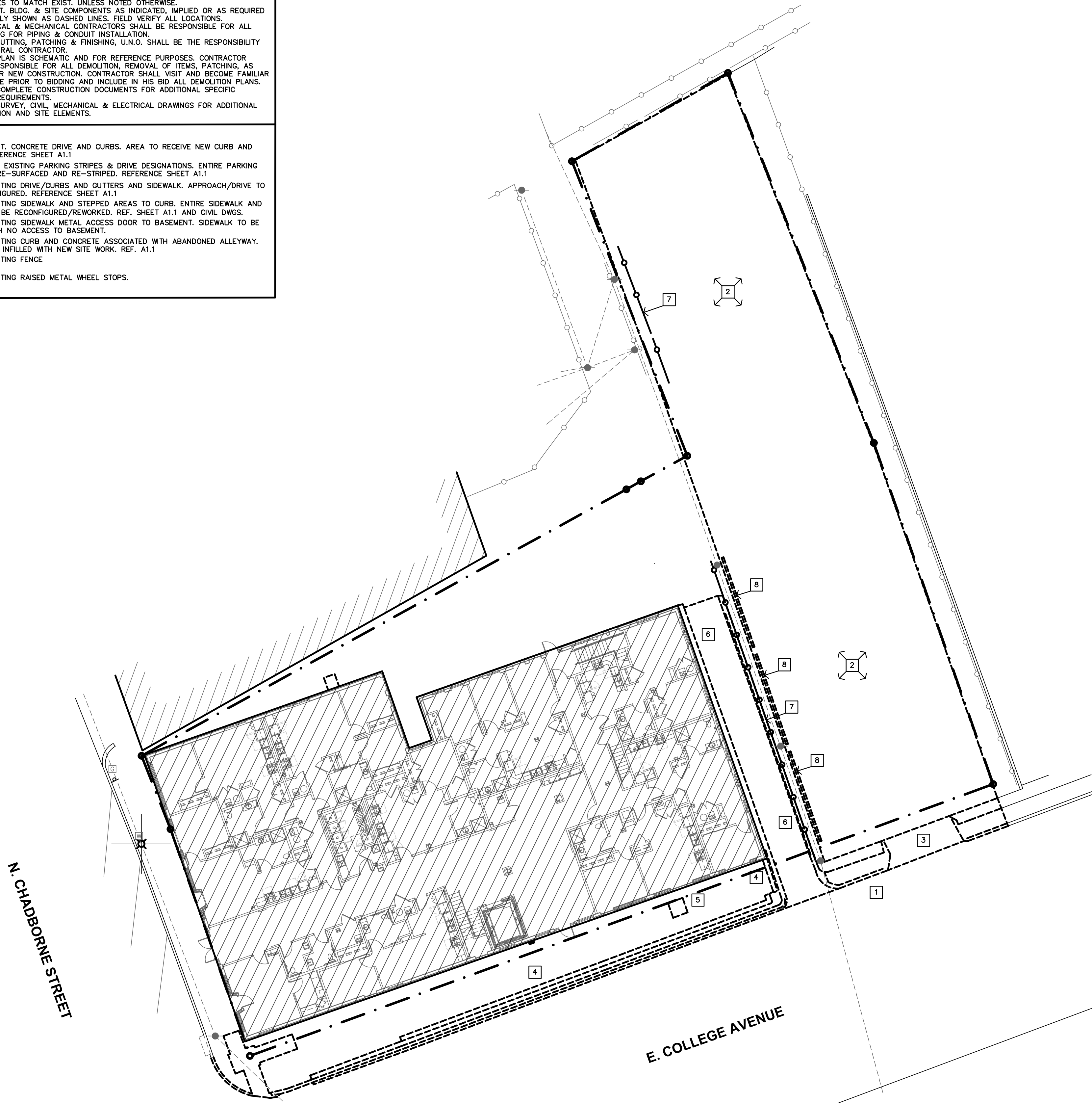
TAS2

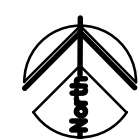
COPYRIGHTED



BP24-0000249
REVIEWED for code
PLANNING NOTES
4/13/2024

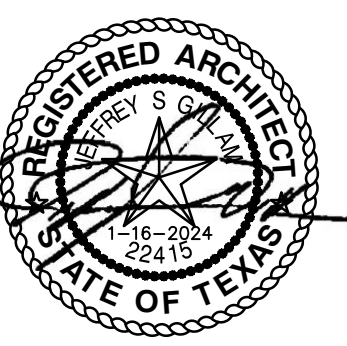
DEMOLITION SITE PLANNING NOTES	
GENERAL	
1.	GENERAL CONTRACTOR SHALL FIELD VERIFY ALL EXISTING CONDITIONS & DIMENSIONS.
2.	CONTRACTOR SHALL COORDINATE ALL WORK WITH THE REQUIREMENTS OF THE UTILITY COMPANIES AND THE CITY OF CONROE, TEXAS.
3.	WHERE EXISTING BLDG. & SITE COMPONENTS ARE TO BE REMOVED; PATCH & REPAIR THE SURFACES TO MATCH EXIST, UNLESS NOTED OTHERWISE.
4.	REMOVE EXIST. BLDG. & SITE COMPONENTS AS INDICATED, IMPLIED OR AS REQUIRED SCHEMATICALLY SHOWN AS DASHED LINES. FIELD VERIFY ALL LOCATIONS.
5.	THE ELECTRICAL & MECHANICAL CONTRACTORS SHALL BE RESPONSIBLE FOR ALL CORE DRILLING FOR PIPING & CONDUIT INSTALLATION.
6.	ALL OTHER CUTTING, PATCHING & FINISHING, U.N.O. SHALL BE THE RESPONSIBILITY OF THE GENERAL CONTRACTOR.
7.	DEMOLITION PLAN IS SCHEMATIC AND FOR REFERENCE PURPOSES. CONTRACTOR SHALL BE RESPONSIBLE FOR ALL DEMOLITION, REMOVAL OF ITEMS, PATCHING, AS REQUIRED FOR NEW CONSTRUCTION. CONTRACTOR SHALL VISIT AND BECOME FAMILIAR WITH THE SITE PRIOR TO BIDDING AND INCLUDE IN HIS BID ALL DEMOLITION PLANS.
8.	REFERENCE COMPLETE CONSTRUCTION DOCUMENTS FOR ADDITIONAL SPECIFIC DEMOLITION REQUIREMENTS.
9.	REFERENCE SURVEY, CIVIL, MECHANICAL & ELECTRICAL DRAWINGS FOR ADDITIONAL SITE DEMOLITION AND SITE ELEMENTS.
SPECIFIC	
1	REMOVE EXIST. CONCRETE DRIVE AND CURBS. AREA TO RECEIVE NEW CURB AND GUTTER. REFERENCE SHEET A1.1
2	REMOVE ANY EXISTING PARKING STRIPES & DRIVE DESIGNATIONS. ENTIRE PARKING LOT TO BE RE-SURFACED AND RE-STRIPED. REFERENCE SHEET A1.1
3	REMOVE EXISTING DRIVE/CURBS AND GUTTERS AND SIDEWALK. APPROACH/DRIVE TO BE RE-CONFIGURED. REFERENCE SHEET A1.1
4	REMOVE EXISTING SIDEWALK AND STEPPED AREAS TO CURB. ENTIRE SIDEWALK AND GRADING TO BE RECONFIGURED/REWORKED. REF. SHEET A1.1 AND CIVIL DWGS.
5	REMOVE EXISTING SIDEWALK METAL ACCESS DOOR TO BASEMENT. SIDEWALK TO BE INFILLED WITH NO ACCESS TO BASEMENT.
6	REMOVE EXISTING CURB AND CONCRETE ASSOCIATED WITH ABANDONED ALLEYWAY. AREA TO BE INFILLED WITH NEW SITE WORK. REF. A1.1
7	REMOVE EXISTING FENCE
8	REMOVE EXISTING RAISED METAL WHEEL STOPS.



 **A** **SITE DEMOLITION PLAN**
1/16"=1'-0"

JGR
Jones Gillam Renz
1881 Main Street, Suite 301
Salina, KS 67401
785.827.0386
jgr@jgarchitects.com

ROOSEVELT LOFTS
HISTORIC REHABILITATION - APARTMENTS
SAN ANGELO, TEXAS



REVISION: _____
DATE: 1-16-2024
JOB: 22-3281
SHEET NO.:

D1.1

COPYRIGHTED ©



DEMOLITION NOTES

GENERAL NOTES

- WHERE EXISTING BLDG. COMPONENTS ARE TO BE REMOVED; PATCH & REPAIR THE SURFACES TO MATCH EXISTING FINISH, UNLESS NEW FINISHES ARE CALLED FOR IN THE FINISH SCHEDULE.
- REMOVE EXISTING BLDG. COMPONENTS AS INDICATED, IMPLIED OR AS REQUIRED SCHEMATICALLY SHOWN AS DASHED LINES. FIELD VERIFY ALL LOCATIONS.
- THE ELECTRICAL & MECHANICAL CONTRACTORS SHALL BE RESPONSIBLE FOR ALL CORE DRILLING FOR PIPING & CONDUIT INSTALLATION.
- ALL OTHER CUTTING, PATCHING & FINISHING, U.N.O. SHALL BE THE RESPONSIBILITY OF THE GENERAL CONTRACTOR.
- SHORING OF EXISTING STRUCTURE SHALL BE THE RESPONSIBILITY OF THE GENERAL CONTRACTOR.
- NOTIFY ARCHITECT IMMEDIATELY IF ASBESTOS IS SUSPECTED ON SITE. DO NOT DISTURB UNLESS DIRECTED.
- IT SHALL BE THE RESPONSIBILITY OF THE GENERAL CONTRACTOR TO COORDINATE THE DEMOLITION BY DIFFERING TRADES.
- CONTRACTOR COORDINATE SCHEDULE & LOCATION OF ANY OR ALL EXISTING RECEPABLES, SWITCHES, DEVICES, ETC. PRIOR TO DEMOLITION, RELOCATE OR ABANDON ACCORDINGLY.
- EXISTING SALVAGED BRICK TO BE STOCK PILED FOR RE-USE.
- COORDINATE & REFERENCE MECHANICAL & ELECTRICAL DRAWINGS FOR ADDITIONAL DEMOLITION ITEMS AND DETAILS.
- REMOVE ALL EXISTING EQUIPMENT, LIGHTS, CONDUIT, DEBRIS, PIPING, DUCTWORK, ETC. THAT REMAINS IN THE BUILDING, ROOF AND EXTERIOR WALLS.
- MEDIA BLAST (PER PRESERVATION BRIEFS) ALL GRAFFITI FROM EXTERIOR AND INTERIOR WALLS.
- REBUILD EXISTING HEAD/SILL/JAMBS AT WINDOW AND DOOR OPENINGS AS NEEDED TO PREP FOR THE INSTALLATION OF NEW DOORS/WINDOWS.

GENERAL & BASEMENT

- REMOVE ALL EQUIPMENT, LIGHTS, CONDUIT, DEBRIS, PIPING, DUCTWORK, ETC.
- MEDIA BLAST GRAFFITI (PER PRESERVATION BRIEFS) OFF ALL WALLS.
- REMOVE ALL EXISTING EQUIPMENT, DEBRIS, ETC. IN BASEMENT. MAKE REPAIRS AT JOISTS, BEAMS, COLUMNS, FOUNDATION WALLS AS NEEDED. CLEAN UP FLOOR, WALLS, ETC.
- REPAIR EXISTING STAIRS TO BASEMENT AS NEEDED FOR SAFE ACCESS.

ROOF, STAIRS, ELEVATOR, EQUIPMENT

- REMOVE EXISTING ROOFING, VENTS, PIPING, FLASHING, ETC. TO DECK. REPAIR ANY DAMAGE, VOIDS, HOLES, ETC. IN DECK & MAKE WATER TIGHT. PREP FOR NEW FLASHING, INSULATION & ROOFING SYSTEM.
- REMOVE EXISTING MTL GUTTER & DOWNSPOUT. PREP FOR NEW.
- REMOVE EXISTING MTL SCUPPER & DOWNSPOUT. PREP FOR NEW.
- REMOVE EXISTING FIRE ESCAPE, ASSOCIATED BRACKETS, ANCHORS, AND ATTACHMENTS, TUCKPOINT.
- REMOVE EXISTING STEEL STAIR, STRINGERS, PANS, ETC. BETWEEN FLOOR 1 & 2. PREP EXISTING OPENING FOR NEW STAIR & RAILING.
- EXISTING STAIR & RAILING TO REMAIN.
- REMOVE EXISTING SKYLIGHTS. REPAIR OPENING TO MATCH ADJACENT STRUCTURE & MAKE WATER TIGHT. REF. STRUCT.
- REMOVE & SALVAGE PORTION OF EXISTING RAILING FOR NEW STAIR.

WALLS

- SAWCUT & REMOVE PORTION OF EXISTING BRICK, MASONRY, AND PLASTER WALL BELOW THE WINDOW OPENING FOR NEW DOOR OPENING TO NEW ROOF-TOP PATIO.
- SAWCUT & REMOVE PORTION OF EXISTING BRICK, MASONRY, PLASTER WALL FOR NEW WINDOW OPENING.
- SAWCUT & REMOVE SMALL PORTION OF BRICK ALONG SIDE OF WINDOW OPENING TO PREP WINDOW FOR NEW 3'-4" WIDE FRAME AND 3'-0" WIDE EXIT DOOR.

WINDOWS

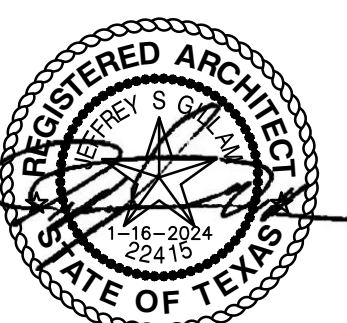
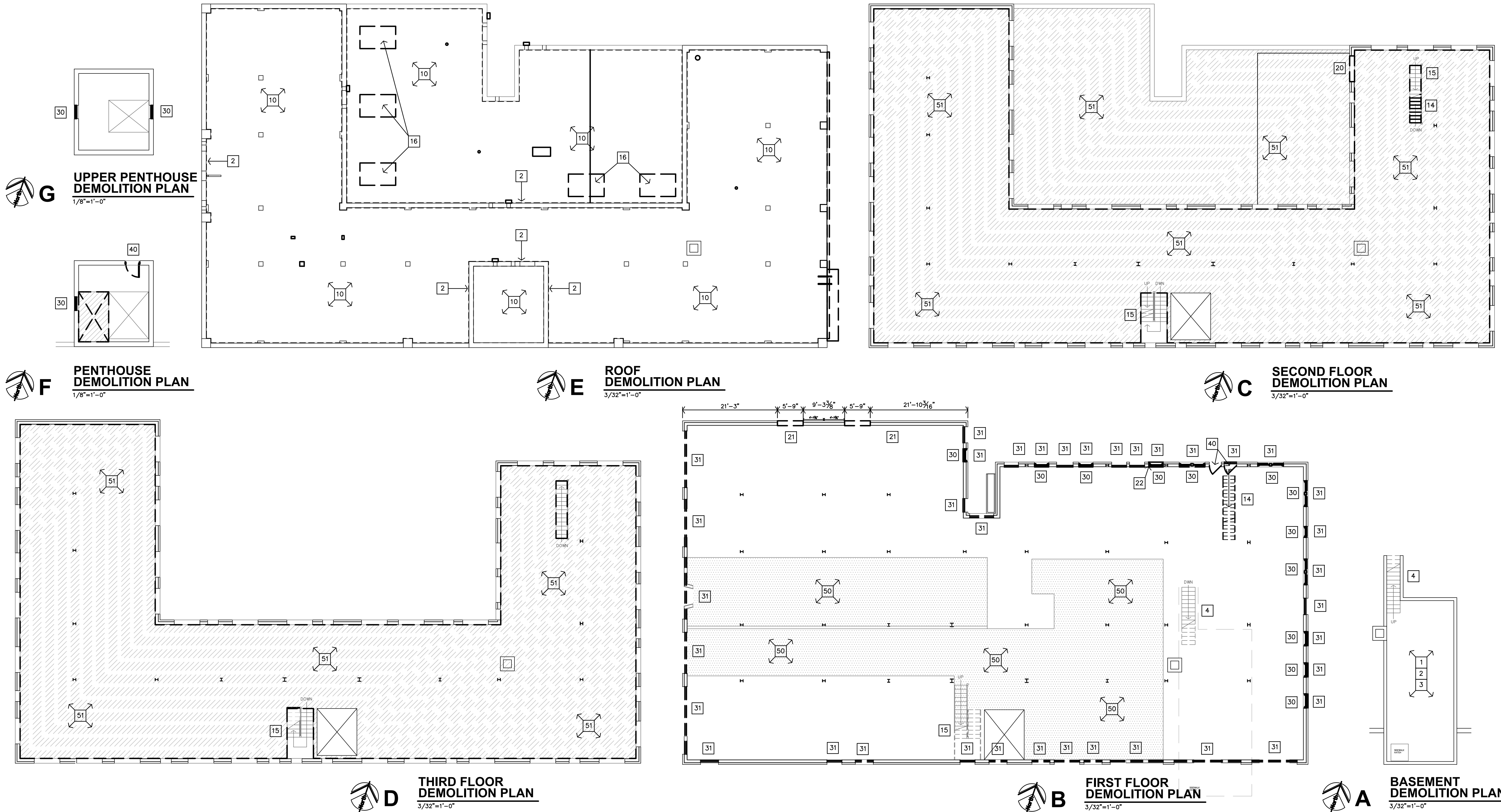
- REMOVE EXISTING WINDOW UNIT, OR REMNANTS OF WINDOW FRAME. CLEAN & PREP MASONRY FOR NEW WINDOW/DOOR INSTALLATION.
- REMOVE EXISTING PLYWOOD/METAL INFILL, CLEAN & PREP ORIGINAL MASONRY OPENING. PREP MASONRY OPENING FOR NEW STOREFRONT, DOOR, WINDOW, ETC.

DOORS

- REMOVE EXISTING DOOR, COMPLETE WITH ATTACHMENTS, HARDWARE, ANCHORS, ETC. FILL HOLES CLEAN & PREP MASONRY FOR NEW WINDOW/DOOR INSTALLATION.

FLOORS

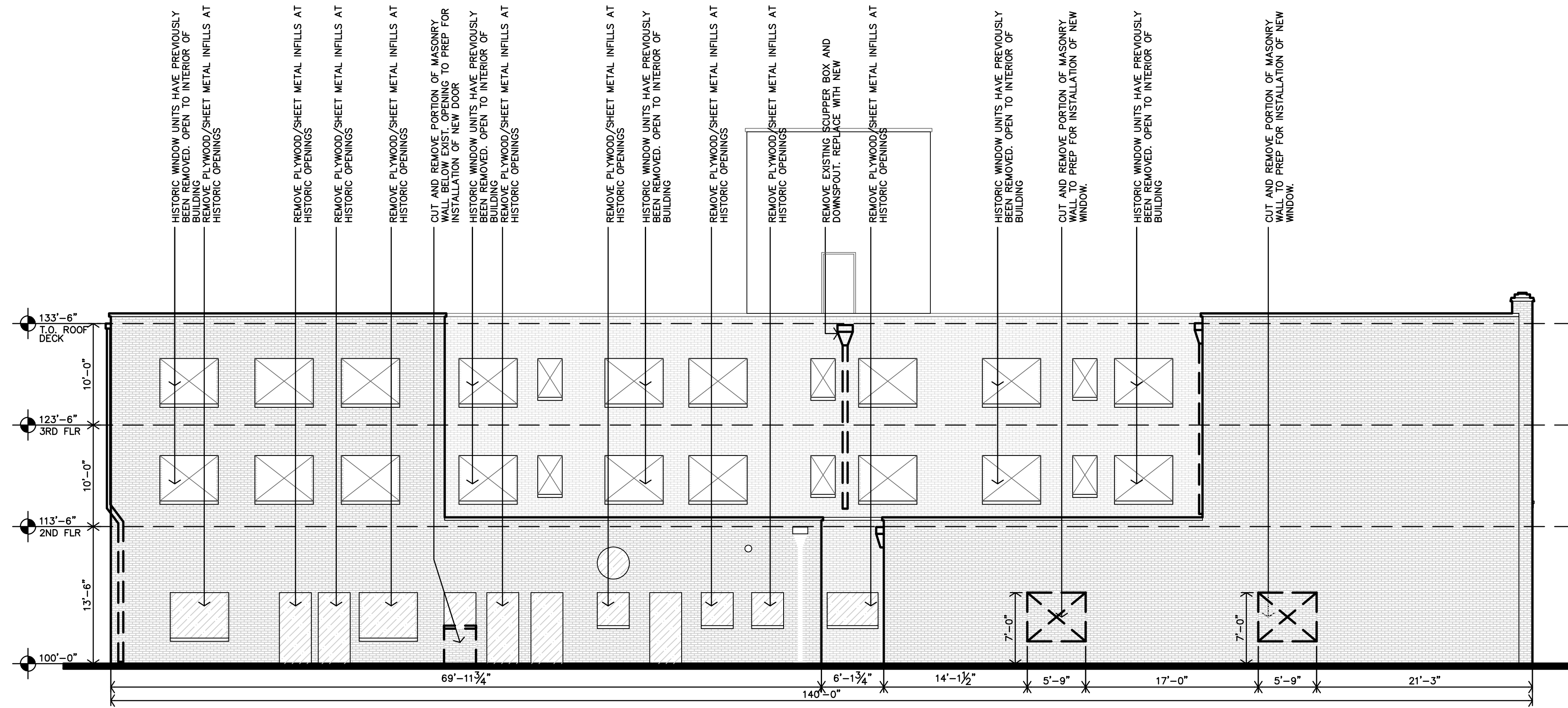
- EXISTING TERRAZZO FLOORING (SHOWN AS DOTTED HATCH) TO BE PROTECTED DURING CONSTRUCTION. SAWCUT/GRIND ANY RAISED AREAS AT REMOVED WALLS. PROTECT, CLEAN, PATCH AND REPAIR AS NEEDED. REMOVE ANY EXISTING FLOORING, GLUE, ETC. TO ORIGINAL TERRAZZO FLOOR. PROTECT, CLEAN & REPAIR AS NEEDED ORIGINAL TERRAZZO FLOOR. REFERENCE TERRAZZO PRESERVATION NOTES ON SHEET A2.0
- REMOVE ENTIRETY OF CONCRETE FLOOR/ROOF SLAB AND MESH REINFORCING AT THE 2ND & 3RD LEVELS (SHOWN AS ANGLED HATCH). PROTECT ADJACENT WALLS, PLASTER FINISH, AND BEAMS/COLUMNS DURING REMOVAL/CONSTRUCTION.



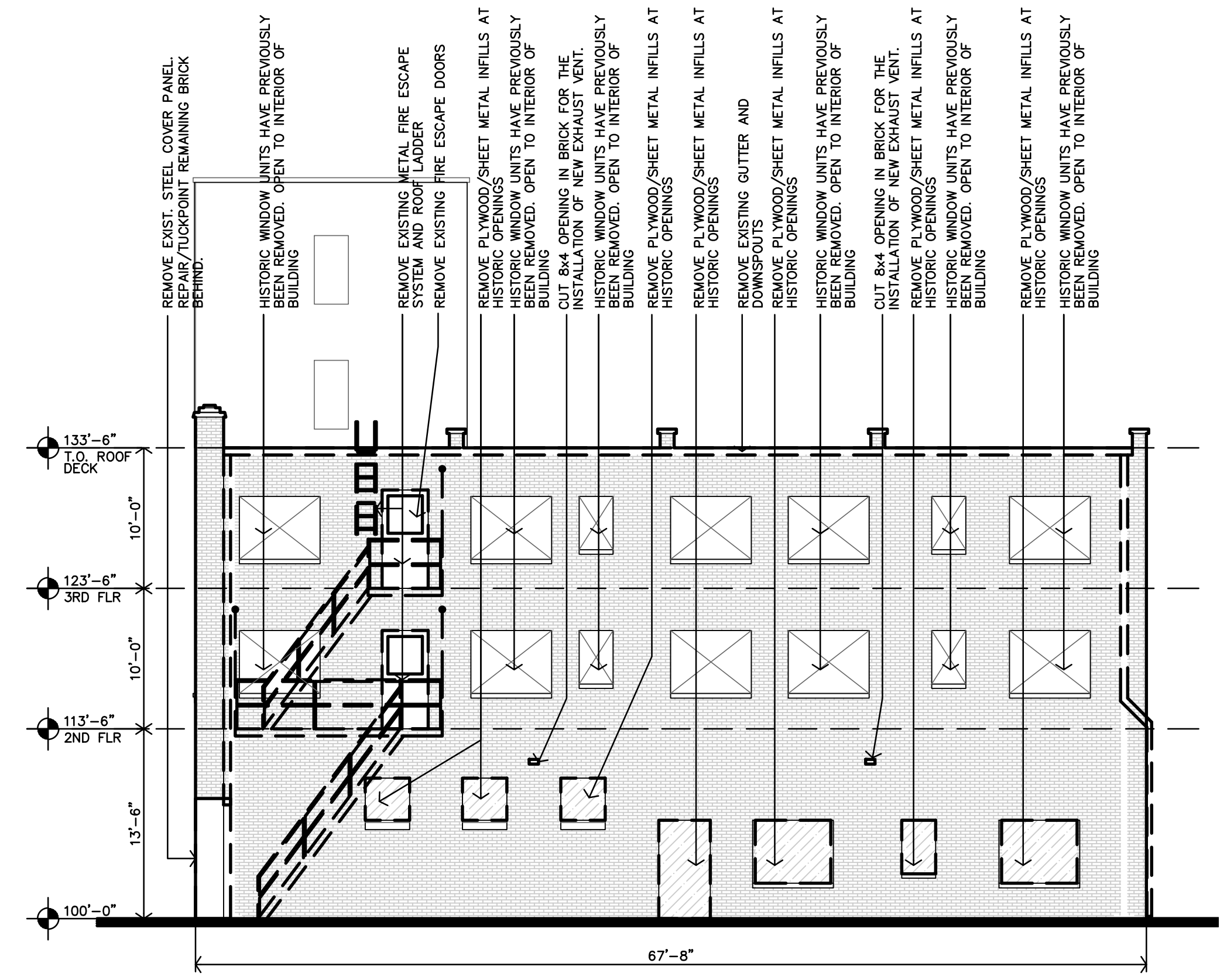
REVISION:	
DATE:	1-16-2024
JOB:	22-3281
SHEET NO.:	



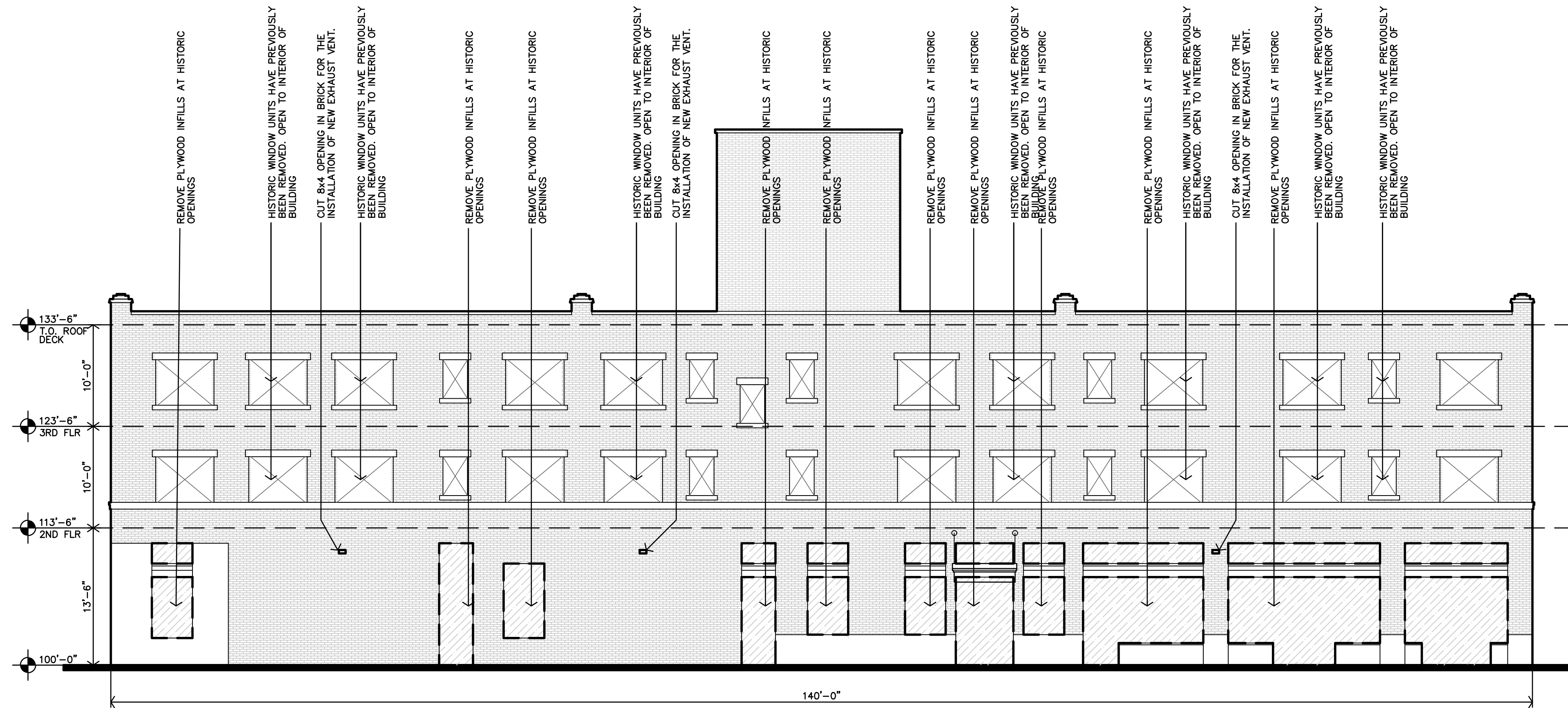
BP24-0000249
REVIEWED for code
compliance
4/15/2024



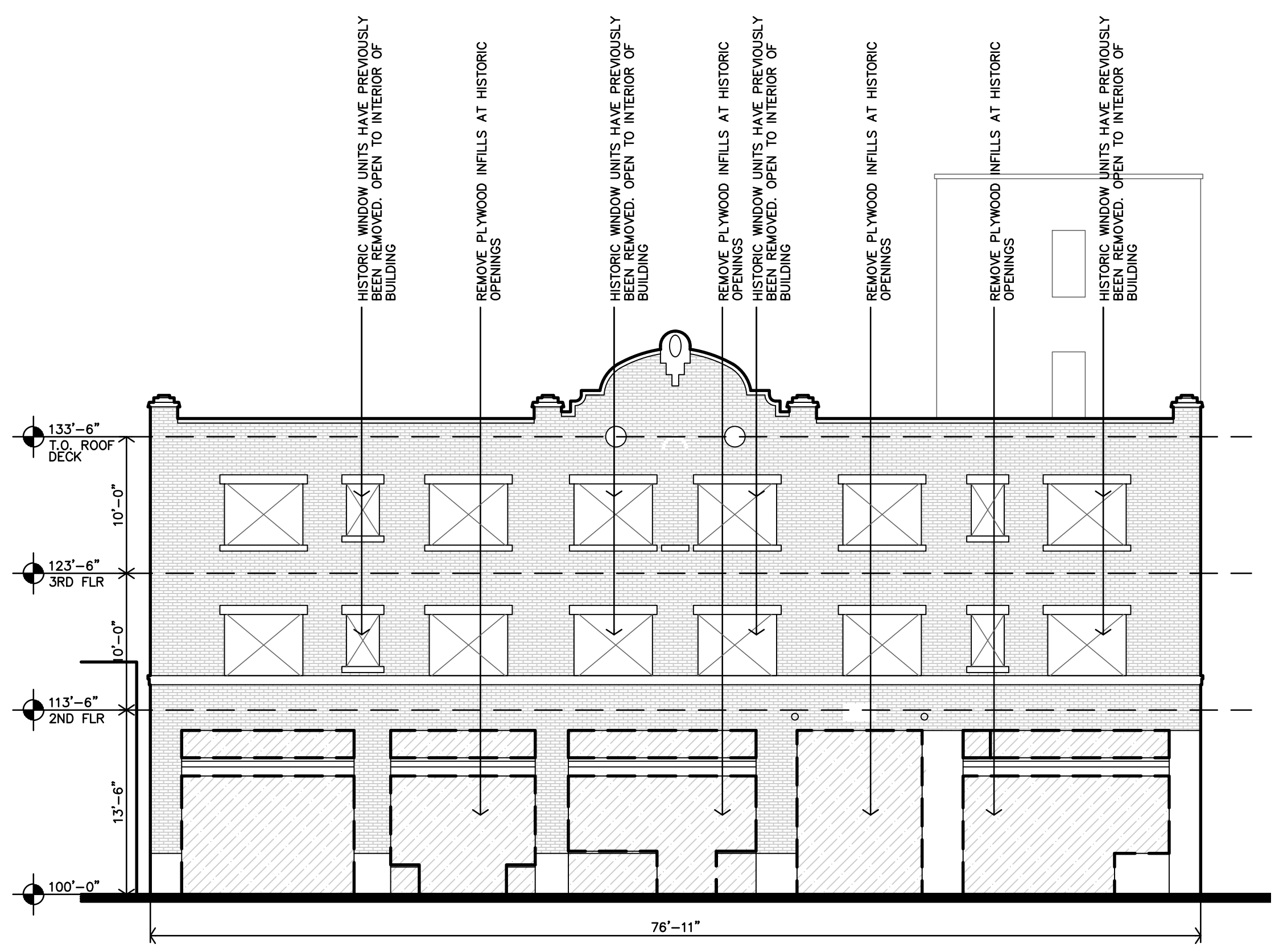
D DEMOLITION NORTH ELEVATION
1/8"=1'-0"



C DEMOLITION EAST ELEVATION
1/8"=1'-0"

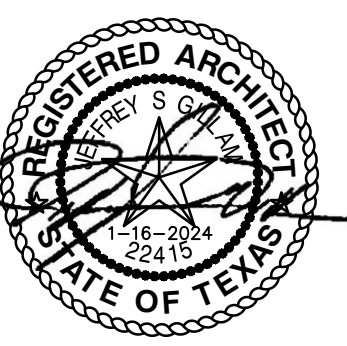


B DEMOLITION SOUTH ELEVATION
1/8"=1'-0"



A DEMOLITION WEST ELEVATION
1/8"=1'-0"

ROOSEVELT LOFTS
HISTORIC REHABILITATION - APARTMENTS
SAN ANGELO, TEXAS



REVISION: _____
DATE: 1-16-2024
JOB: 22-3281
SHEET NO.:

D3.1

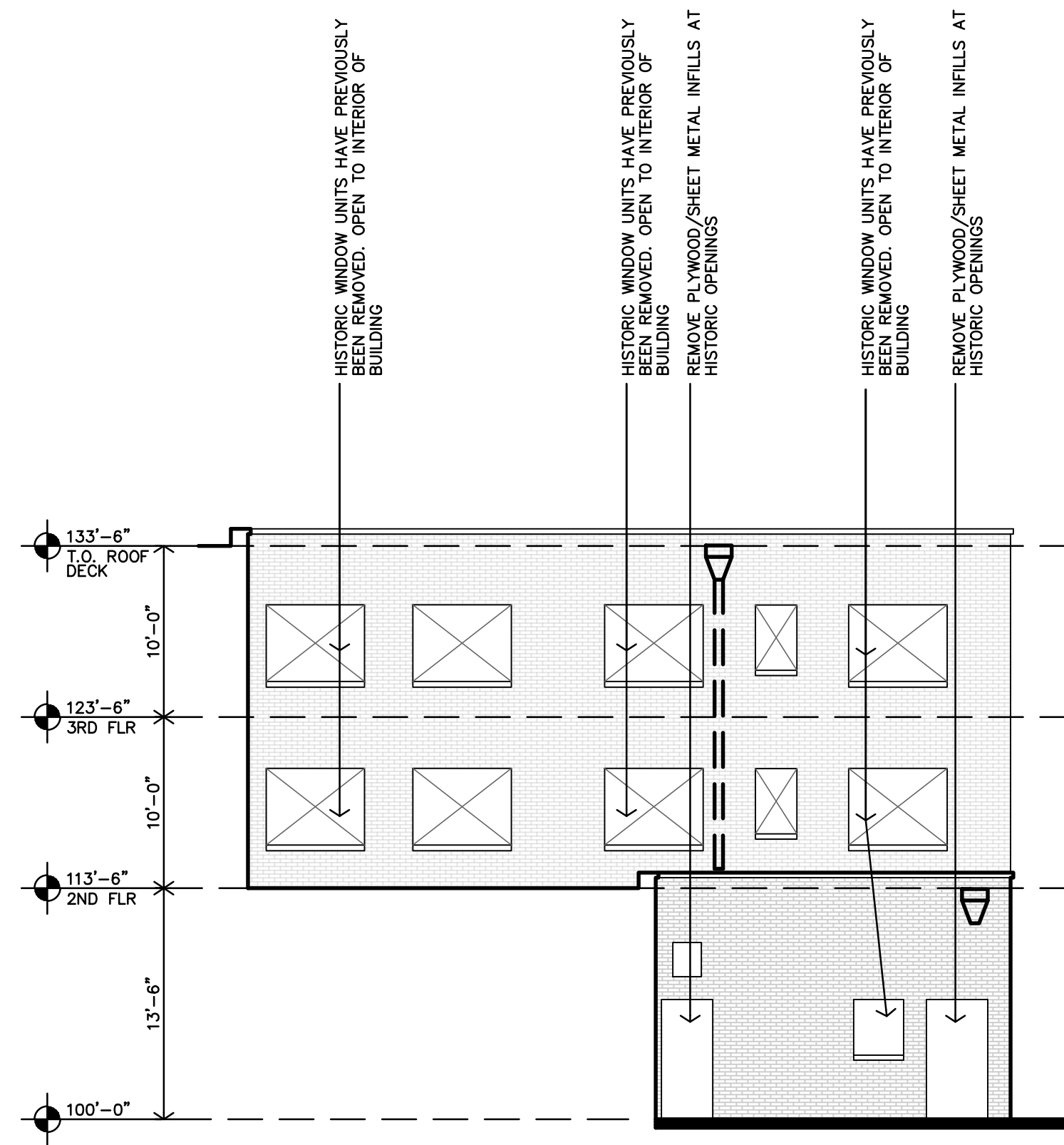
Jones Gillam Renz
1881 Main Street, Suite 301
Salina, KS 67401
785.827.0386
jgr@jgarchitects.com



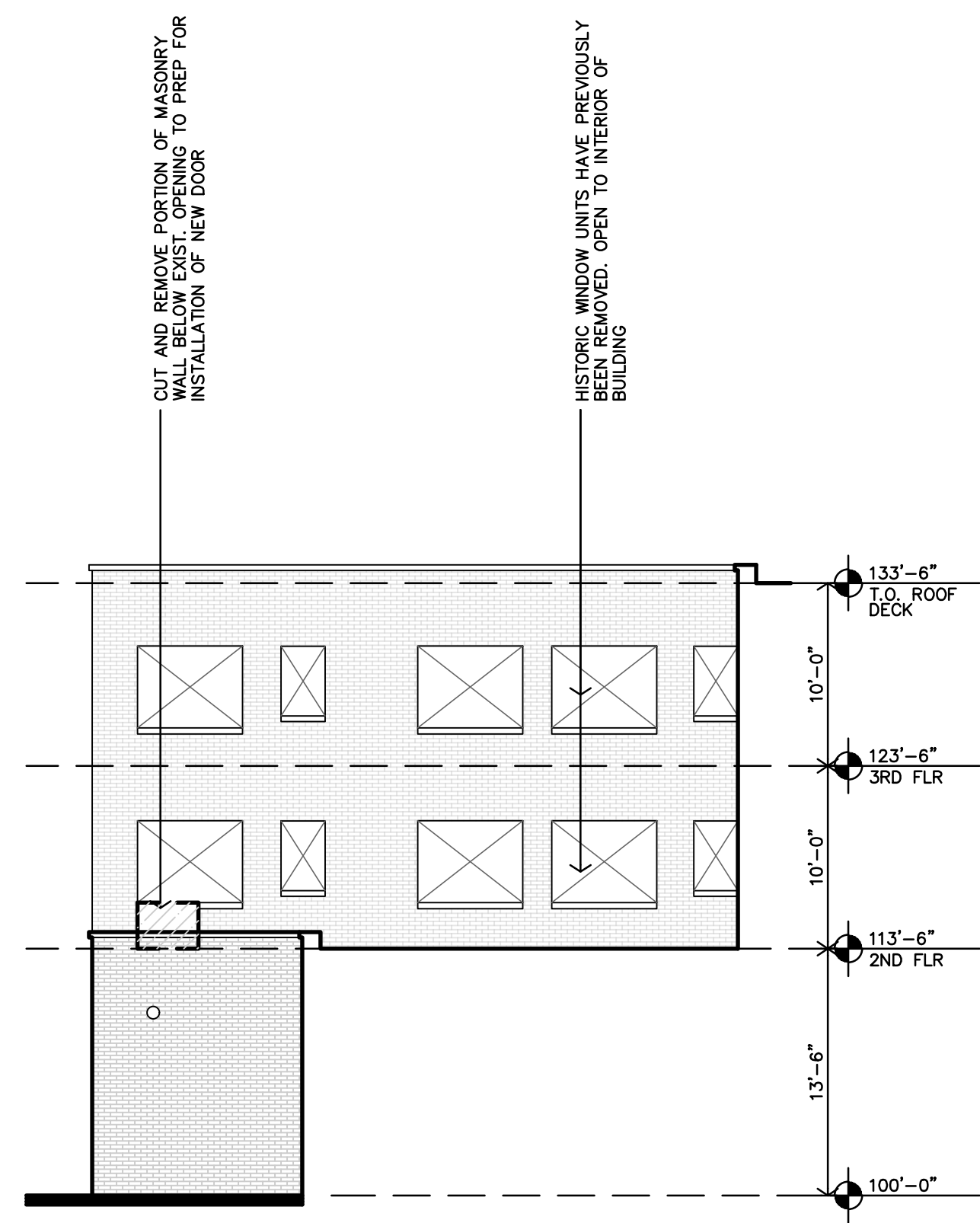
COPYRIGHTED



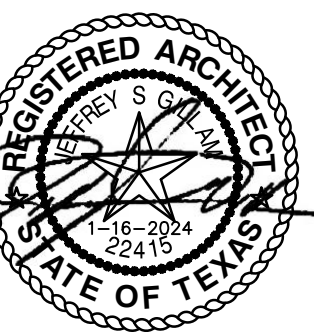
BP24-00000249
 REVIEWED for code
 compliance
 4/15/2024



B DEMOLITION EAST ELEVATION
 1/8"=1'-0"



A DEMOLITION WEST ELEVATION
 1/8"=1'-0"



REVISION:

DATE: 1-16-2024

JOB: 22-3281

SHEET NO.:

D3.2

ROOSEVELT LOFTS
 HISTORIC REHABILITATION - APARTMENTS
 SAN ANGELO, TEXAS

JGR
 JonesGillamRenz
 730 N. Ninth
 Salina, KS 67401
 785.827.0386
 jgr@jgarchitects.com

GENERAL SITE PLAN NOTES

- GENERAL CONTRACTOR SHALL FIELD VERIFY ALL EXISTING CONDITIONS & DIMENSIONS.
- INSTALL MATERIALS AND FINISHES AS INDICATED, IMPLIED OR AS REQUIRED FOR FINISH INSTALLATION.
- WHERE NEW CONCRETE ABUTS THE BUILDING, PROVIDE 1/2" EXPANSION JOINT & SEAL TOP WITH EPOXY SEALER.
- INSTALL EXPANSION JOINTS IN CONCRETE SIDEWALK PAVING AT ±60" O.C. PROVIDE FILLER MATERIAL AND SEALANT. COORDINATE WITH ARCHITECT FOR FINAL LOCATIONS OF EXPANSION JOINTS.
- INSTALL CONTROL JOINTS IN CONCRETE ROUGHLY SQUARE AND AREAS NOT TO EXCEED 100 S.F.
- EXTERIOR DOOR LANDINGS SHALL BE WITHIN 1/2" OF INTERIOR FINISH FLOOR ELEVATION. MAXIMUM SLOPE IN ANY DIRECTION SHALL BE 1:50.
- FINISH FLOOR ELEVATION SHALL BE VERIFIED BY GENERAL CONTRACTOR AND CONFIRMED W/ PROPOSED GRADING TO PROVIDE DRAINAGE AWAY FROM THE BUILDING.
- LANDSCAPING, SEEDING, PLANTINGS, ETC. TO BE BY OTHERS. ALL AREAS AROUND THE SITE AND AS INDICATED ON THE SITE PLAN SHALL BE FINE GRADED WITH MIN. 2" TOP SOIL AREAS SHALL BE FREE OF ROCKS AND CLUMPS AS SUITABLE FOR SEEDING OR SOODING.
- NEW PEDESTRIAN SIDEWALKS SHALL NOT HAVE A CROSS SLOPE GREATER THAN 1:50 AND SHALL NOT SLOPE IN THE DIRECTION OF TRAVEL GREATER THAN 1:20.
- CONTRACTOR SHALL COORDINATE ALL WORK WITH THE REQUIREMENTS OF THE UTILITY COMPANIES AND THE CITY OF CONROE.
- ALL DAMAGED PAVING AND LANDSCAPING CAUSED BY CONSTRUCTION ACTIVITIES SHALL BE REPAIRED OR REPLACED AT CONTRACTOR'S EXPENSE.
- DO NOT CONSTRUCT ANY PART OF THE TRASH PAD, ENCLOSURE AND/OR ACCESS TO, TILL AFTER CONFIRMATION AND COORDINATION OF LOCAL TRASH SERVICE. DUE TO DIFFERENT TRASH COMPANIES, TRUCKS AND PICK-UP PROCESSES, CONFIRMATION OF THE TRASH SERVICE AND COORDINATION OF THE DESIGN AND LAYOUT OF THE PAD, ENCLOSURE AND ACCESS MUST BE COMPLETED.
- AT ALL AREAS OF CONCRETE/ASPHALT SIDEWALK, PATIO, PARKING, ETC. THAT ARE EXISTING TO REMAIN:
 - CONTRACTOR TO MAKE REPAIRS AND CORRECTIONS AS REQUIRED TO MAINTAIN THE ADA ACCESSIBLE ROUTE AND MEET ALL ADA STANDARDS FOR PARKING AND ACCESSIBLE ROUTES.
 - CONTRACTOR TO CLEAN-UP AND REPAIR CRACKS, DE-WEED, AND TIDY-UP ALL EXISTING CONCRETE/ASPHALT.
- REF. SHEETS A2.1 - A2.8 FOR LOCATION OF ACCESSIBLE UNITS & HEARING IMPAIRED UNITS.
- EXISTING PLANTER AREAS/BED - CLEAN OUT ALL WEEDS, DEBRIS, OLD MULCH, ETC. ADD NEW LANDSCAPE FABRIC WHERE MISSING & 2" BLACK MULCH (OR OTHER AS SPECIFIED BY OWNER). COORDINATE WITH LOCATION OF NEW PLANTINGS. REF. L1.1

ZONING NOTES

THIS PROPERTY IS LOCATED IN THE DOWNTOWN DEVELOPMENT DISTRICT AND IS ZONED CBD (CENTRAL BUSINESS DISTRICT). HOUSEHOLD LIVING (RESIDENTIAL OCCUPANCY OF A DWELLING BY A "HOUSEHOLD") IS AN ALLOWED USE WITHIN THE CBD ZONING REGULATIONS. THIS IS AN EXISTING, HISTORIC STRUCTURE.

SAN ANGELO, TX, CODE OF ORDINANCES, ZONING ORDINANCE:

SECTION 304.E.
THE CBD (CENTRAL BUSINESS DISTRICT) IS INTENDED TO PROVIDE OPPORTUNITIES TO PROMOTE THE TRADITIONAL DOWNTOWN OF SAN ANGELO AS A MARKETPLACE WHICH SERVES A VARIETY OF NEEDED IN A RELATIVELY CONFINED AREA. THE CENTRAL BUSINESS DISTRICT IS INTENDED TO INCLUDE OFFICE, RETAIL SALES, REPAIR AND SERVICE BUSINESSES, COMMERCIAL RECREATION AND ENTERTAINMENT, AS WELL AS RESIDENTIAL USES. DEVELOPMENT SHOULD COMPLEMENT NEIGHBORING ACTIVITIES IN THE AREA AND PROMOTE A VARIETY MARKETPLACE CONCEPT.

SECTION 313.E - USE TABLE
HOUSEHOLD LIVING (RESIDENTIAL OCCUPANCY OF A DWELLING BY A "HOUSEHOLD") IS AN ALLOWED USE WITHIN THE CBD ZONING REGULATIONS.

SECTION 316.B - RESIDENTIAL USE CATEGORIES
HOUSEHOLD LIVING
1) CHARACTERISTICS: HOUSEHOLD LIVING IS CHARACTERIZED BY THE RESIDENTIAL OCCUPANCY OF A DWELLING UNIT BY A HOUSEHOLD. TENANCY IS ARRANGED ON A MONTH TO MONTH OR LONGER BASIS. USES WHERE TENANCY MAY BE ARRANGED FOR A SHORTER PERIOD ARE NOT CONSIDERED RESIDENTIAL.

SECTION 502.A. - RESIDENTIAL USES IN NONRESIDENTIAL DISTRICT
EXCEPTION - WHEREVER A RESIDENTIAL USE IS LOCATED IN A CBD DISTRICT, THAT RESIDENTIAL USE SHALL CONFORM TO DEVELOPMENT STANDARDS OF THE CBD DISTRICT.

SECTION 502.B - NON RESIDENTIAL DISTRICT BULK REGULATIONS
MAXIMUM FLOOR AREA RATIO = 3.20
MAXIMUM HEIGHT = N/A
MINIMUM LOT AREA = 6,000 SF
MINIMUM LOT WIDTH = 50 FT
MINIMUM LOT DEPTH = 80 FT
MINIMUM FRONT YARD = EXEMPT
MINIMUM SIDE/REAR YARD = NONE REQ'D UNLESS ABUTTING RESIDENTIAL DISTRICT OR USE, WHERE MIN. OF 10 FT IS REQ'D.

SITE PLAN KEY NOTES

(A)	TRASH ENCLOSURE REF. A1.3
(B)	KNOX BOX COORD. W/ FIRE DEPT. (TYP)
(C)	NEW BENCH, REF. INFORMATION A1.3
(D)	POLE MOUNTED H.C. "VAN" PARKING SIGN MOUNT BTM. OF SIGN @ 60"A.F.F. (TYP)
(E)	POLE MOUNTED H.C. PARKING SIGN MOUNT BTM. OF SIGN @ 60"A.F.F. (TYP)
(F)	DASHED LINE INDICATES ACCESSIBLE PATH
(G)	PAINTED STRIPPING @ ACCESSIBLE ROUTE
(H)	BUILDING METER CENTER REF. ELECT. DWGS
(J)	6'-0" TALL WOOD PRIVACY FENCE
(K)	S-WAVE BIKE RACK, (1 TOTAL), REF. INFORMATION A1.3
(M)	GRASS/SOD (SHOWN AS HATCHED)
(N)	LANDSCAPED AREA
(O)	ELECTRICAL VEHICLE CHARGE STATION
(P)	POLE MOUNTED "ELECTRIC VEHICLE PARKING ONLY" SIGN MOUNT BTM. OF SIGN @ 60"A.F.F. (TYP)
(Q)	DOG WASTE STATION (1) REF. F-A1.3
(R)	6" BOLLARDS, REF. G-A1.3

LOT COVERAGE

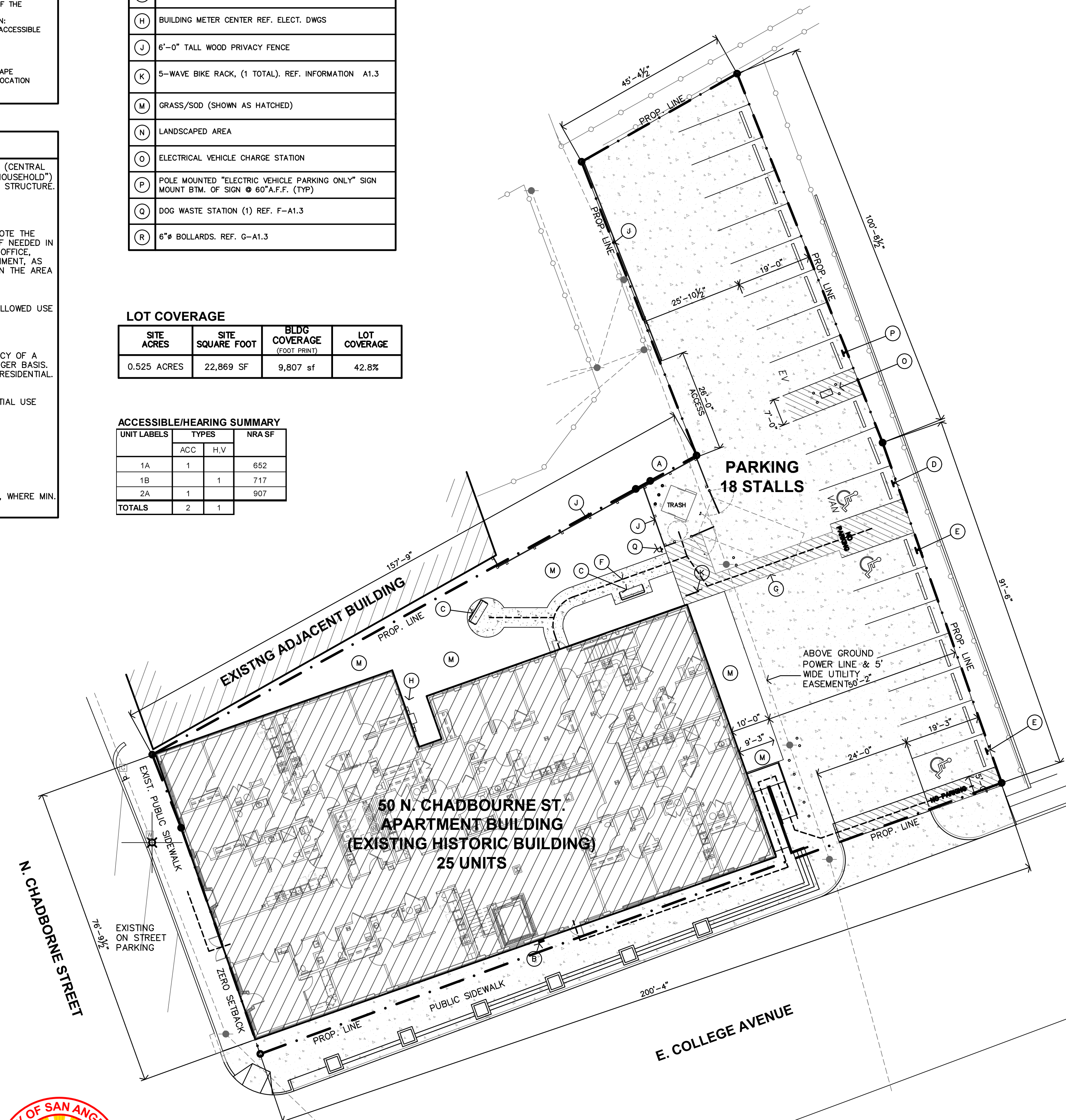
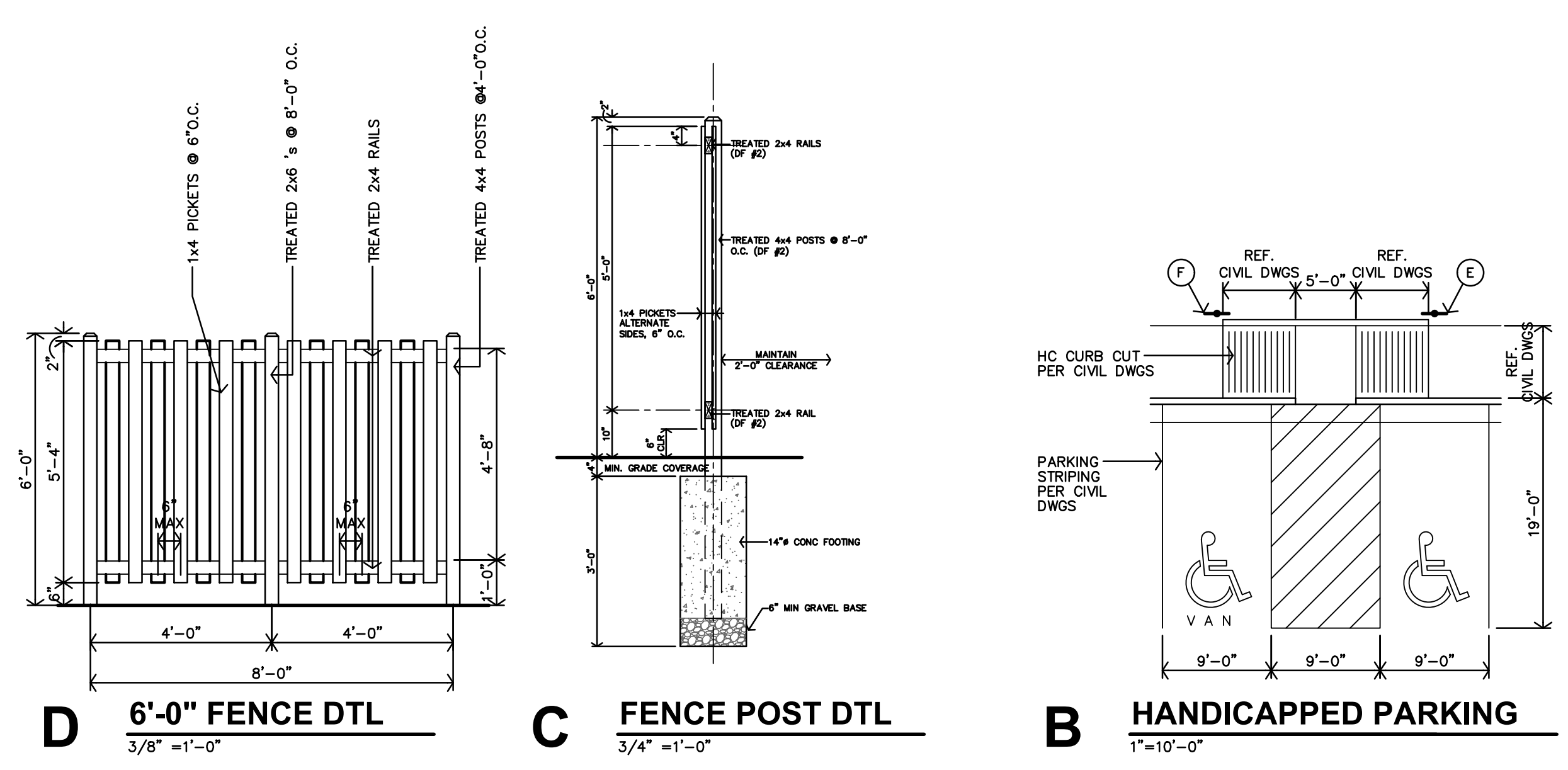
SITE ACRES	SITE SQUARE FOOT	BLDG COVERAGE (FOOT PRINT)	LOT COVERAGE
0.525 ACRES	22,869 SF	9,807 sf	42.8%

ACCESSIBLE/HEARING SUMMARY

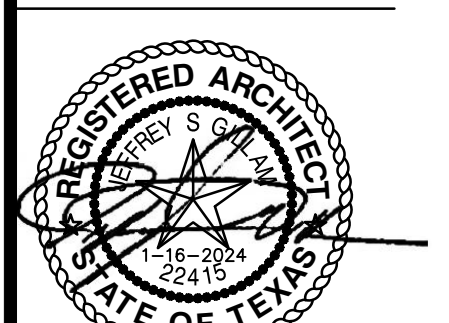
UNIT LABELS	TYPES		NRA SF
	ACC	H.V	
1A	1		652
1B		1	717
2A	1		907
TOTALS	2	1	

PARKING SUMMARY

ACCESSIBLE PARKING STALLS	STANDARD	2	LOCAL PARKING REQUIREMENTS
	VAN	1	SECTION 511.B.4 - EXCEPTIONS: PARKING IN THE CENTRAL BUSINESS DISTRICT. NO OFF-STREET PARKING SHALL BE REQUIRED IN THE CENTRAL BUSINESS DISTRICT. HOWEVER, SHOULD OFF-STREET PARKING BE PROVIDED, IT SHALL COMPLY WITH THE MINIMUM OFF-STREET PARKING & LOADING STANDARDS REQUIRED UNDER SECTIONS 511 & 512.
STANDARD PARKING STALLS UNCOVERED		15	
TOTAL PROVIDED PARKING STALLS		18	
PARKING RATIO (STALLS/UNITS)		0.64	

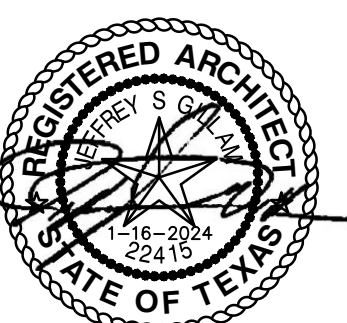


A OVERALL SITE PLAN
1/16" = 1'-0"



REVISION:
DATE: 1-16-2024
JOB: 22-3281
SHEET NO.:

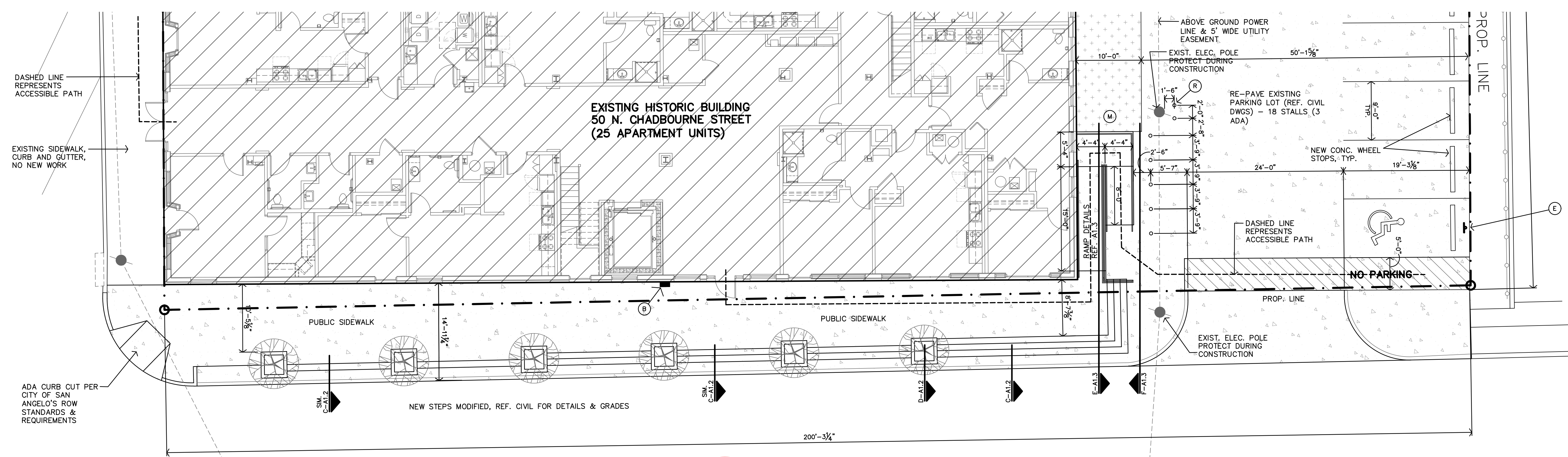
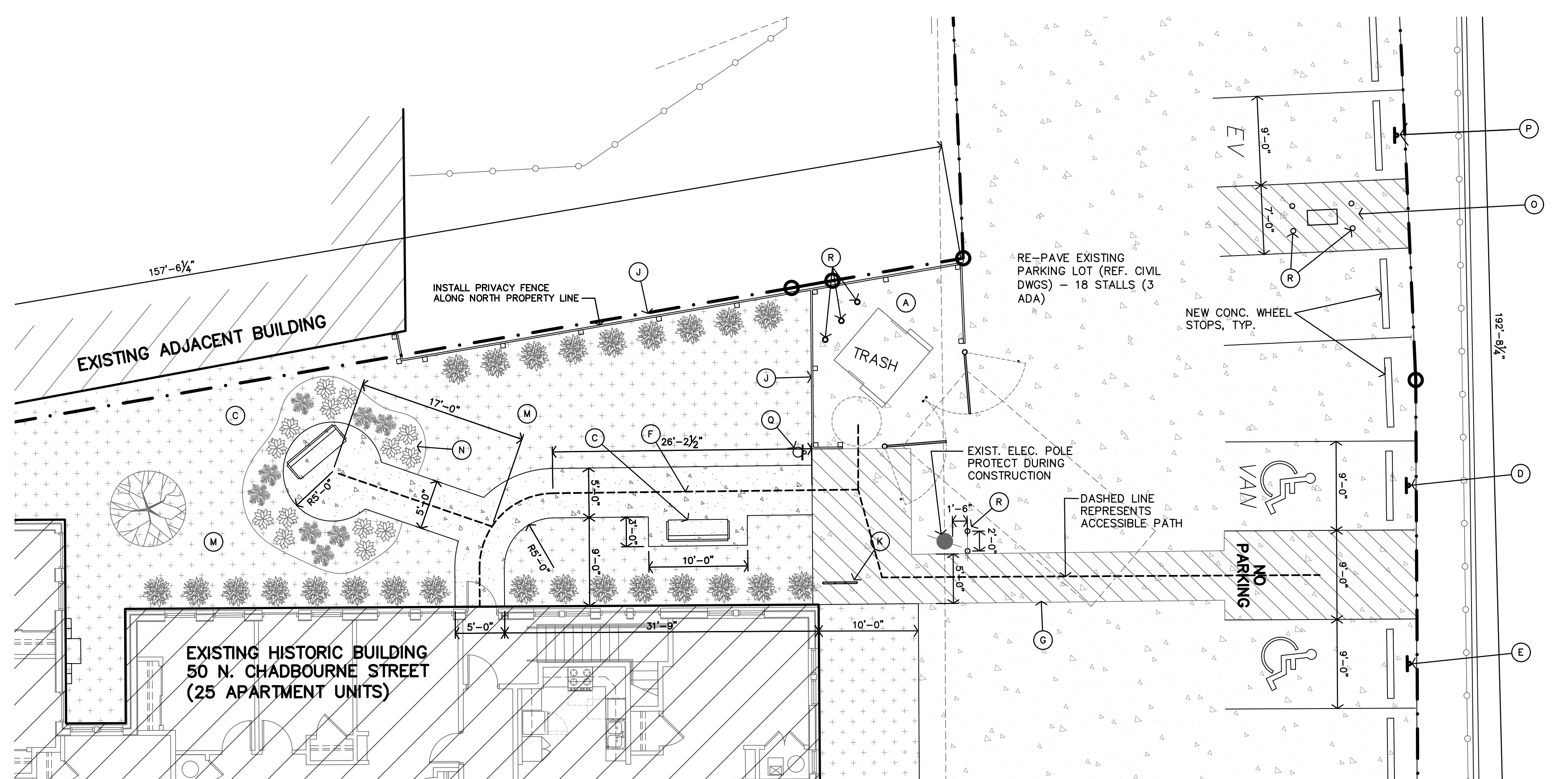
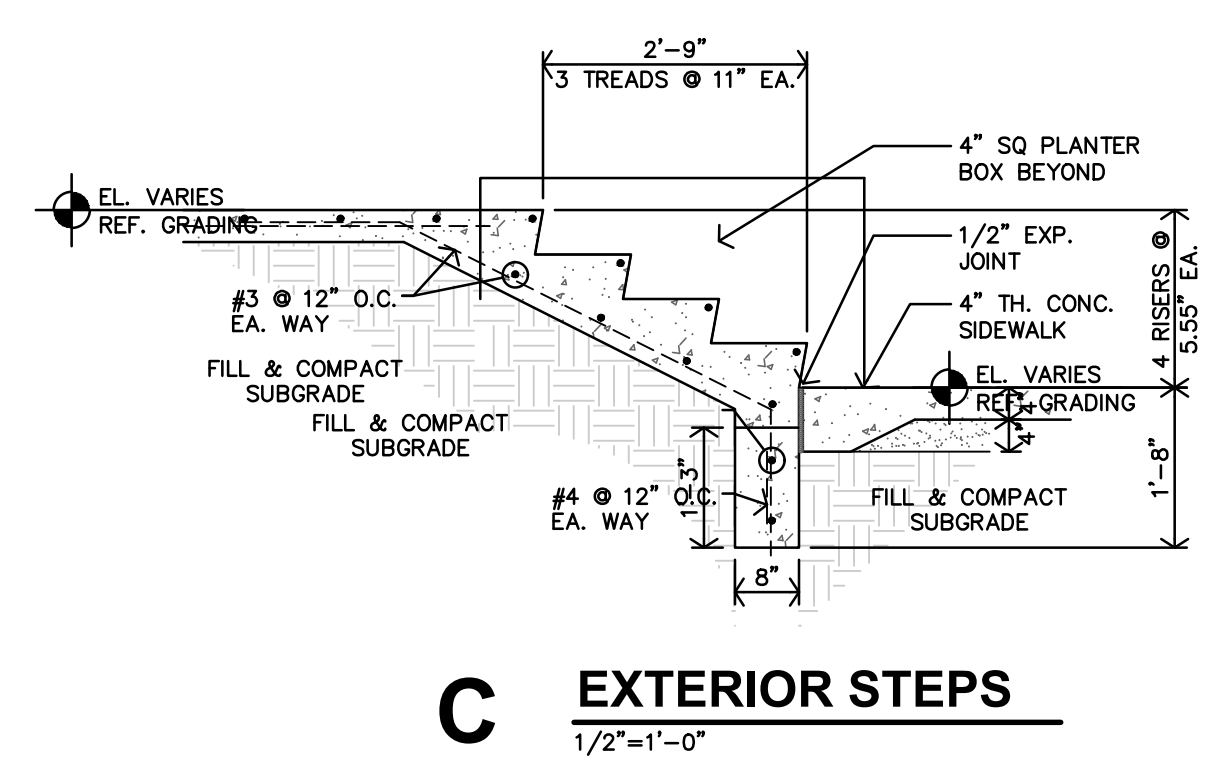
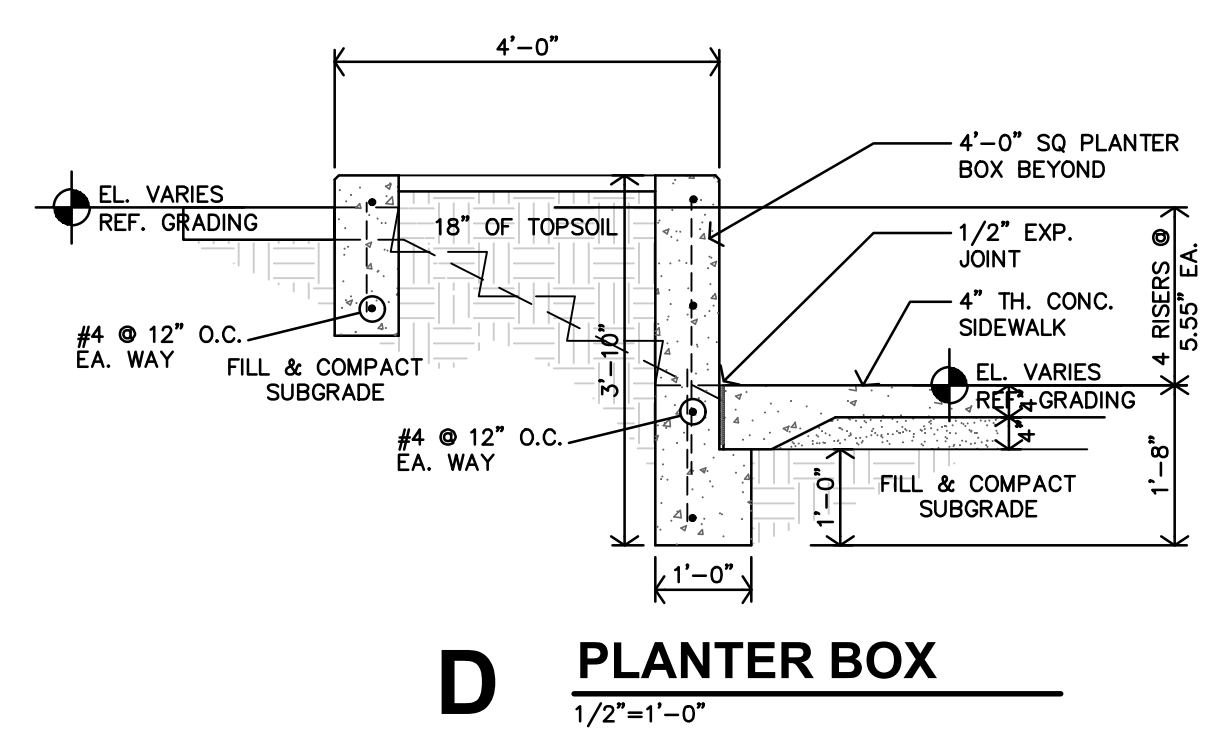
COPYRIGHTED



REVISION:

DATE:	1-16-2024
JOB:	22-3281
SHEET NO.:	

COPYRIGHTED



CITY OF SAN ANGELO
 DEPARTMENT OF PUBLIC WORKS

- ACCEPTED
- ACCEPTED AS NOTED

Drawing as to design only. Dimensions and location are not verified, contractor to verify as to plans and/or installation requirements.

DATE 2/2/2024

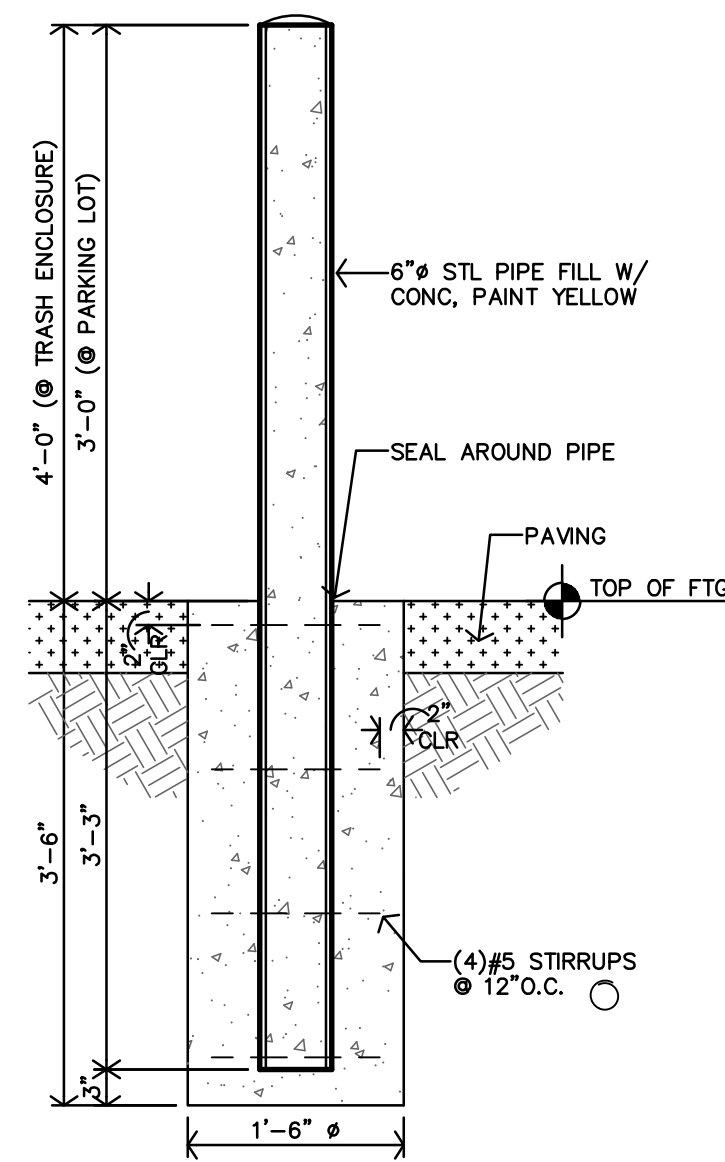
ACCEPTED
ACCEPTED AS NOTED

Drawing as to design only. Dimensions and location are not verified, contractor to verify as to plans and/or installation requirements.

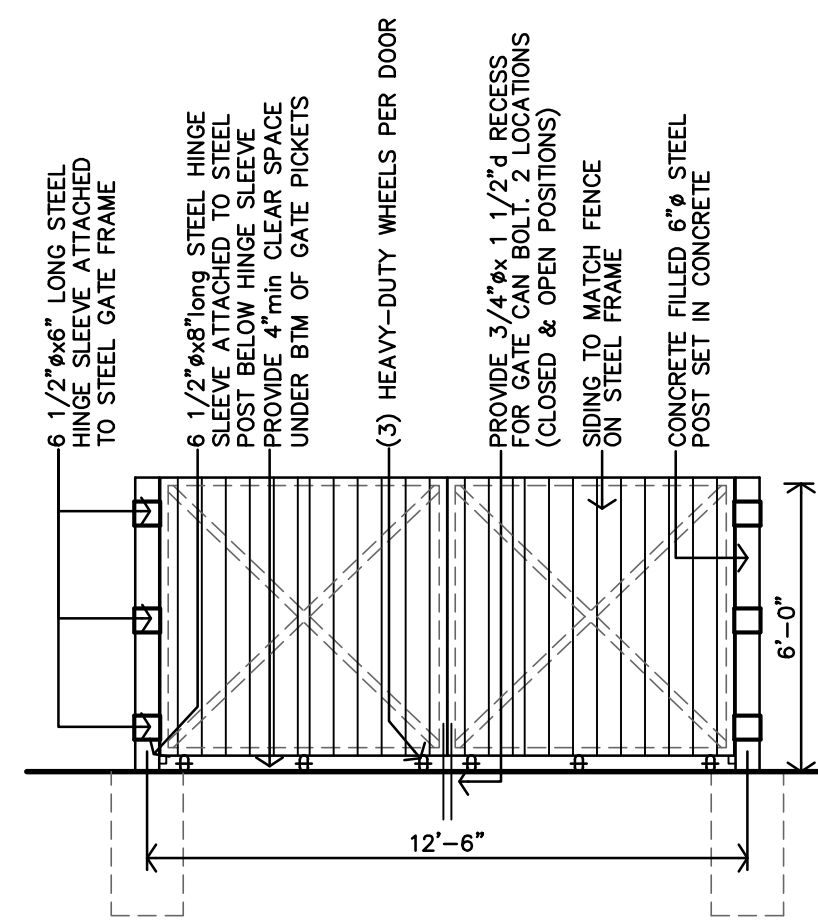
DATE 2/2/2024



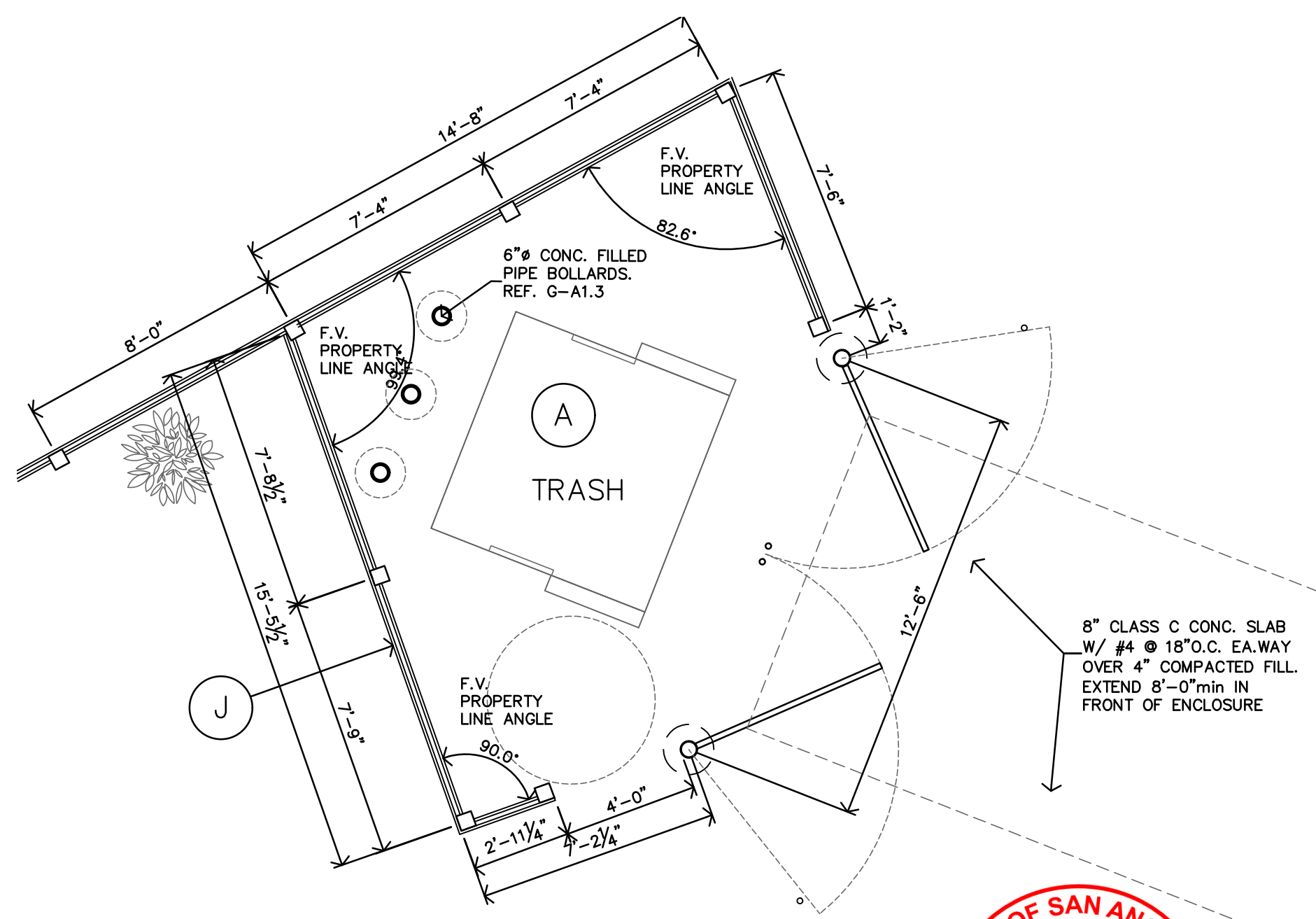
H DOG WASTE STATION
NO SCALE



G BOLLARD DETAIL
3/4" = 1'-0"



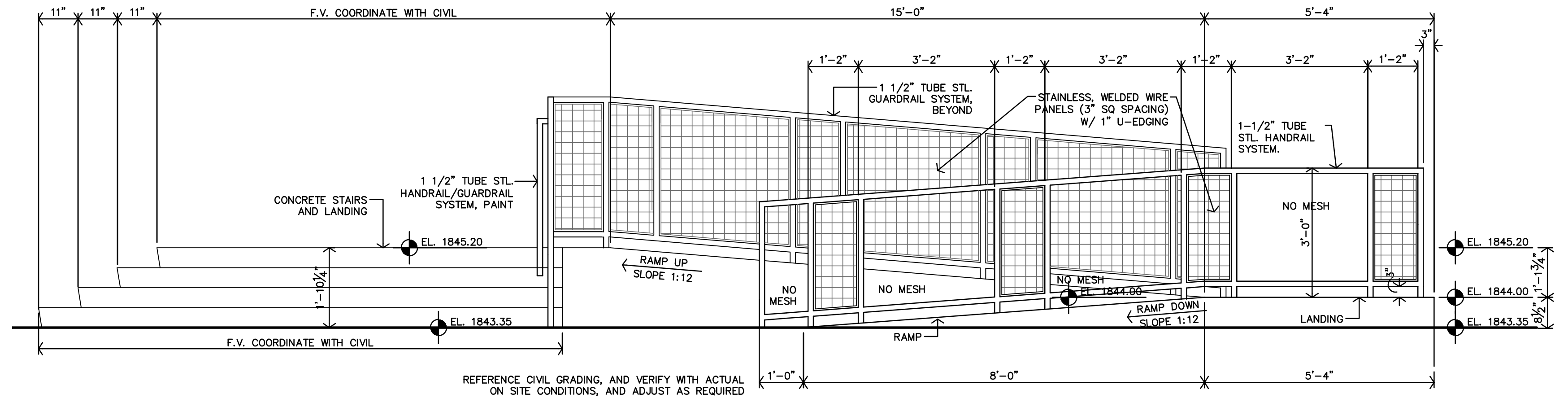
D TRASH GATE DTL
1/4" = 1'-0"



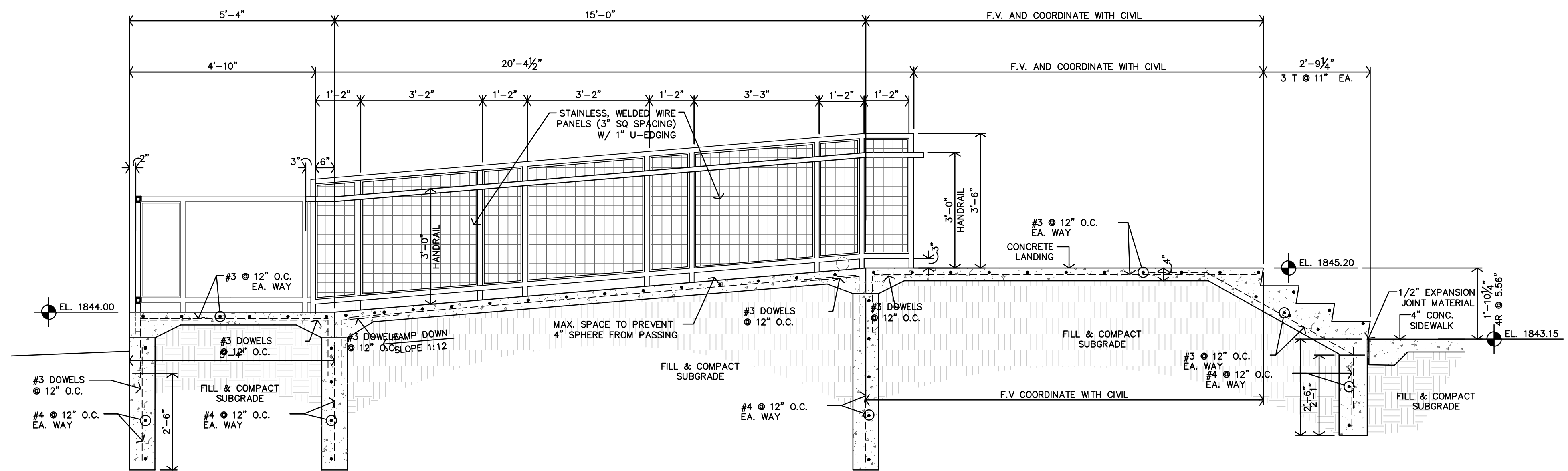
C TRASH ENCLOSURE
1/4" = 1'-0"



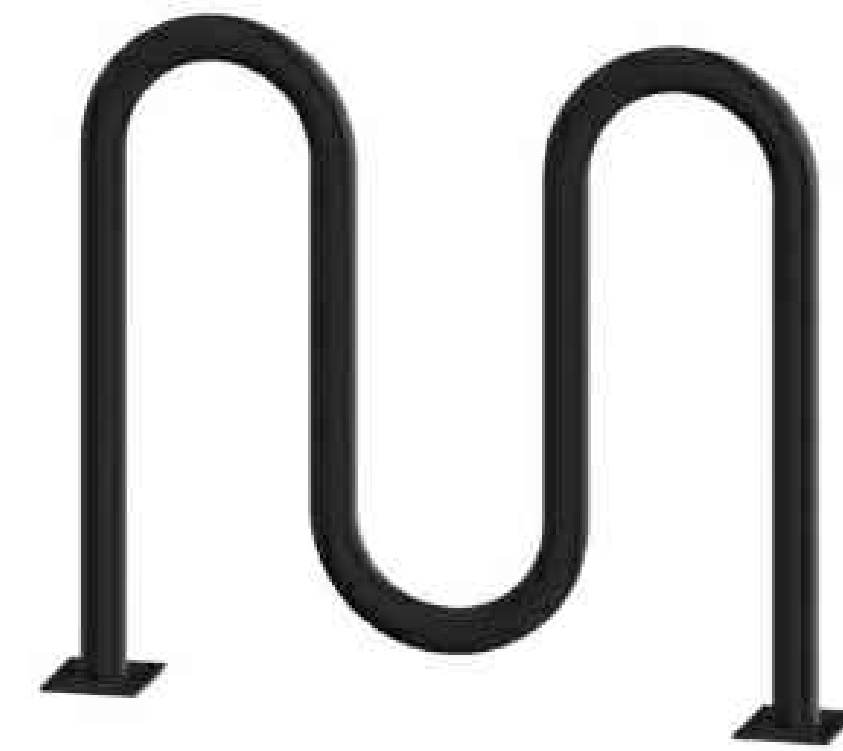
EN23-50000066
2/2/2024



F RAMP ELEVATION & SECTION
1/4" = 1'-0"



E RAMP ELEVATION & SECTION
1/4" = 1'-0"



B BIKE RACK (5)
NO SCALE



A OUTDOOR BENCH
NO SCALE



REVISION:

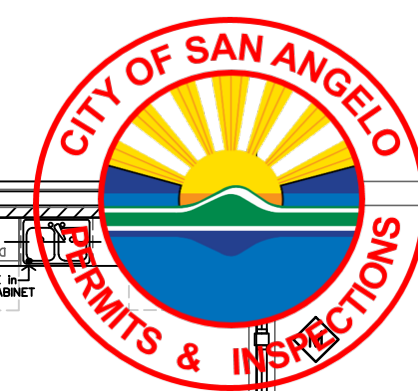
DATE: 1-16-2024

JOB: 22-3281

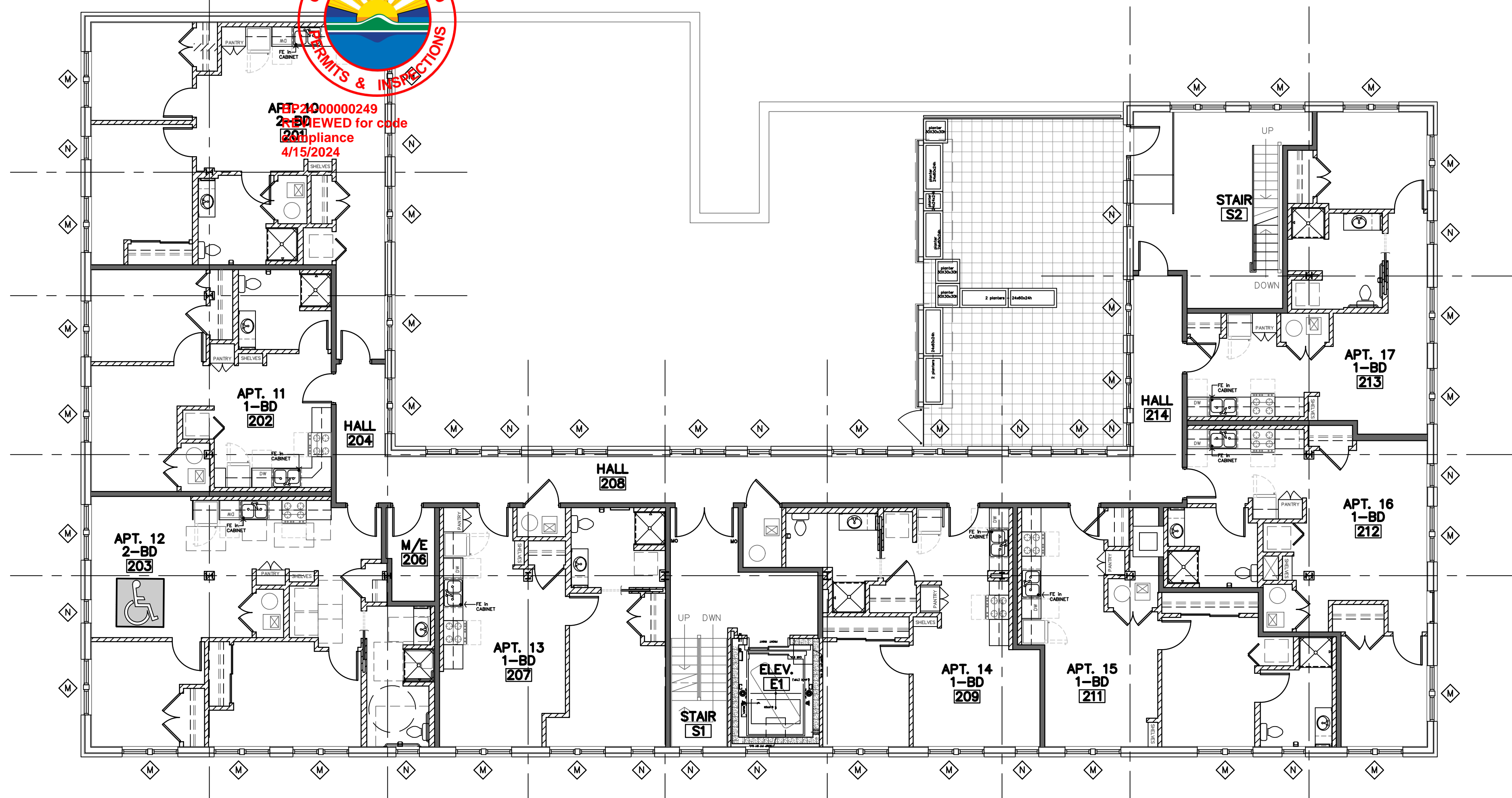
SHEET NO.:

A1.3

COSA ES
ARC # M-1035-2

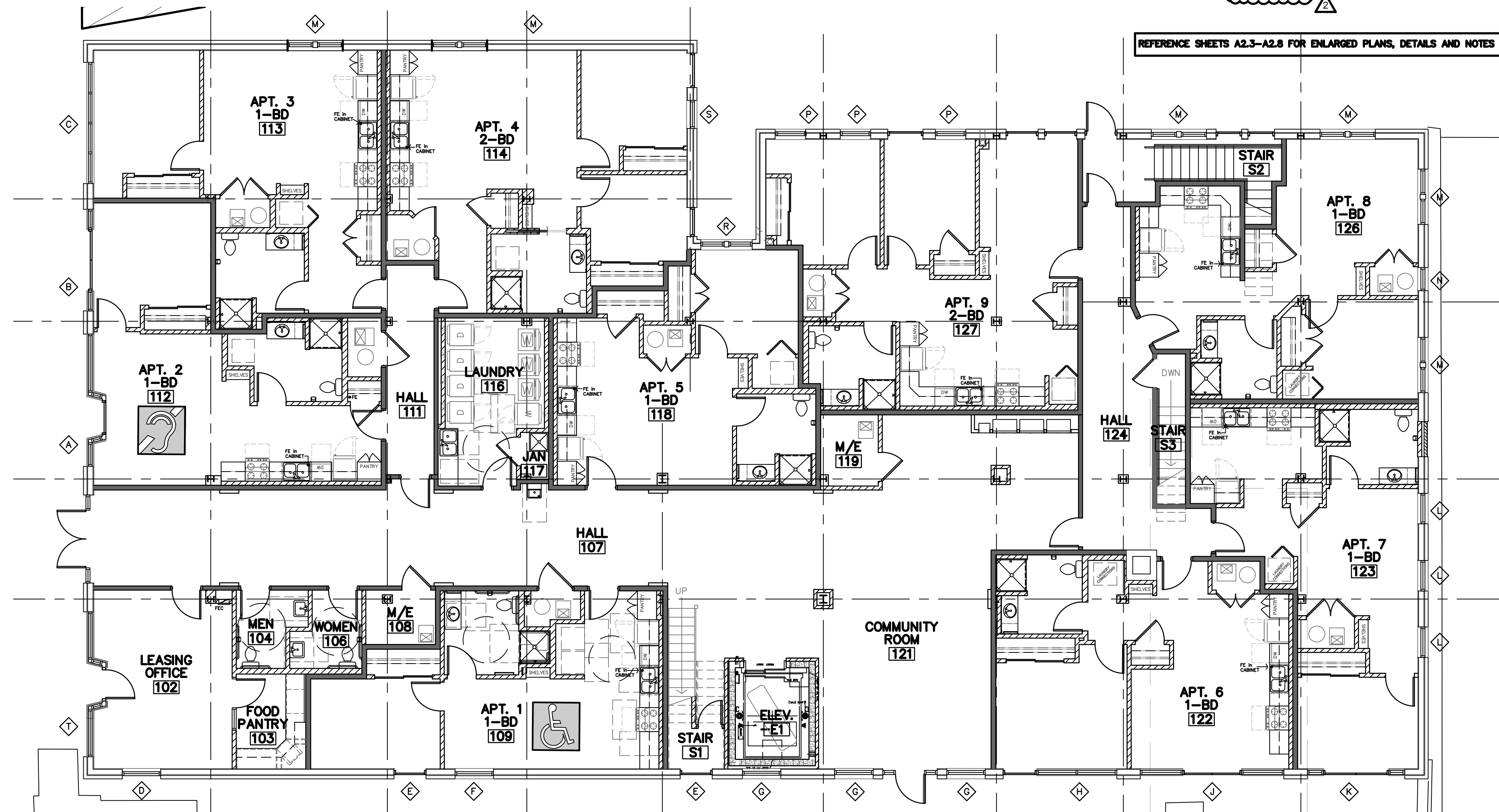


APR 2000000249
2-BD REWED for code
201 compliance
4/15/2024



B SECOND FLOOR PLAN
1/8"=1'-0"

REFERENCE SHEETS A2.3-A2.6 FOR ENLARGED PLANS, DETAILS AND NOTES

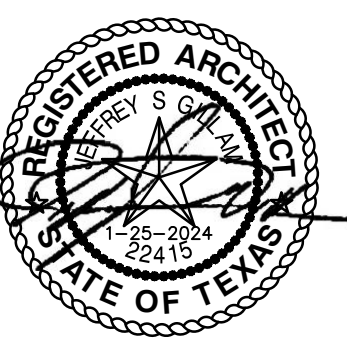


A FIRST FLOOR PLAN
1/8"=1'-0"

JonesGillamRenz
1881 Main Street, Suite 301
Salina, KS 67401
785.827.0386
jgr@jgarchitects.com



ROOSEVELT LOFTS
HISTORIC REHABILITATION - APARTMENTS
SAN ANGELO, TEXAS



REVISION:	
	2-23-2024
DATE:	1-16-2024
JOB:	22-3281
SHEET NO.:	

A2.1

COPYRIGHTED



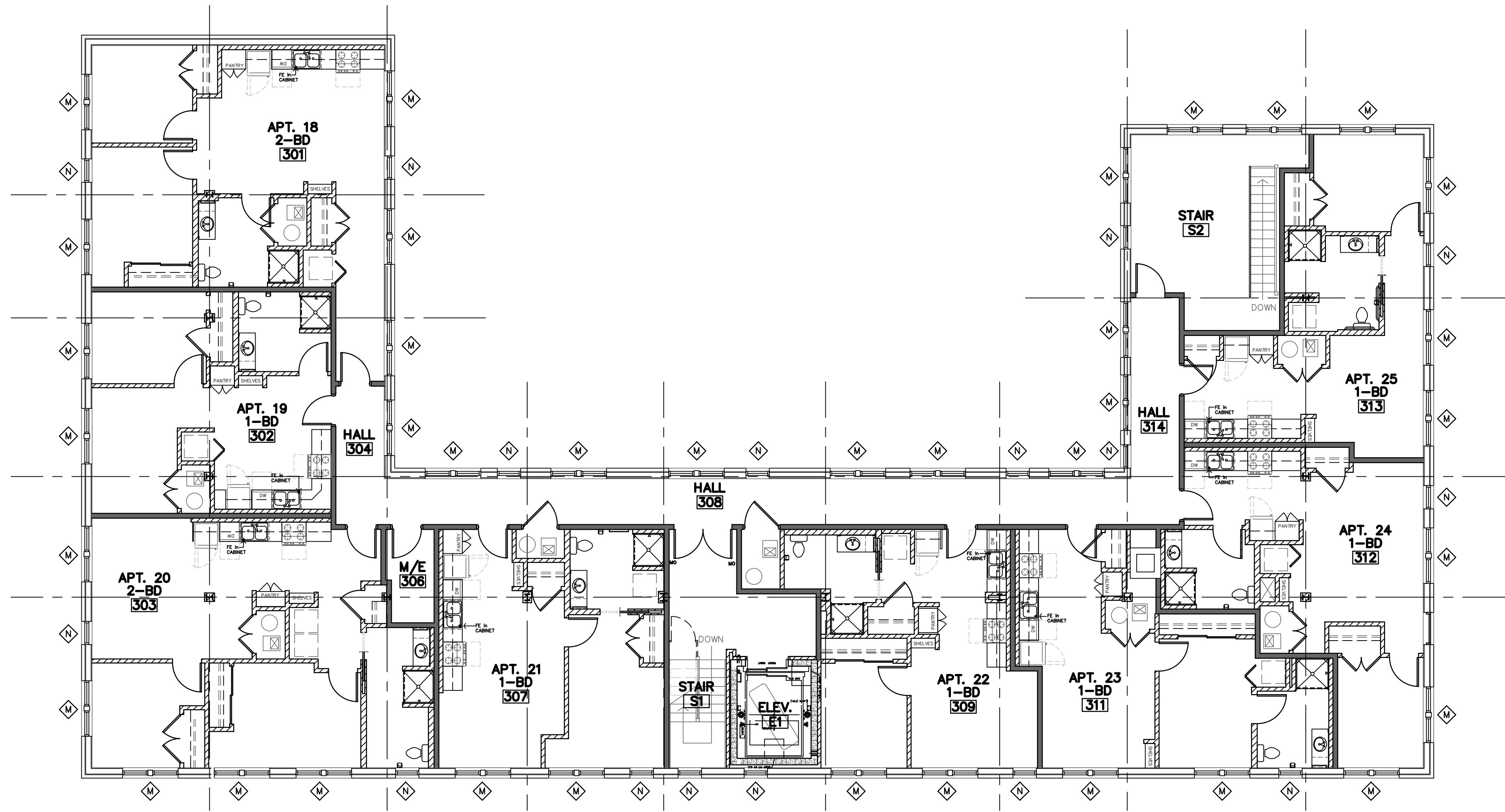
BP24-00000249
REVIEWED for code
compliance
4/15/2024

JonesGillamRenz
1881 Main Street, Suite 301
Kansas City, MO 64108
jgr@jgarchitects.com

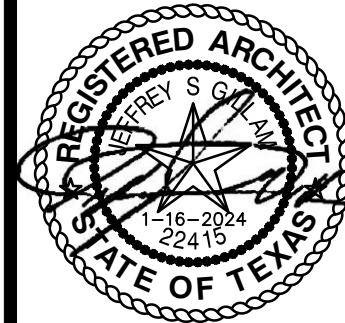


ROOSEVELT LOFTS
HISTORIC REHABILITATION - APARTMENTS
SAN ANGELO,
TEXAS

REFERENCE SHEETS A2.3-A2.6 FOR ENLARGED PLANS, DETAILS AND NOTES



A **THIRD FLOOR PLAN**
1/8"=1'-0"



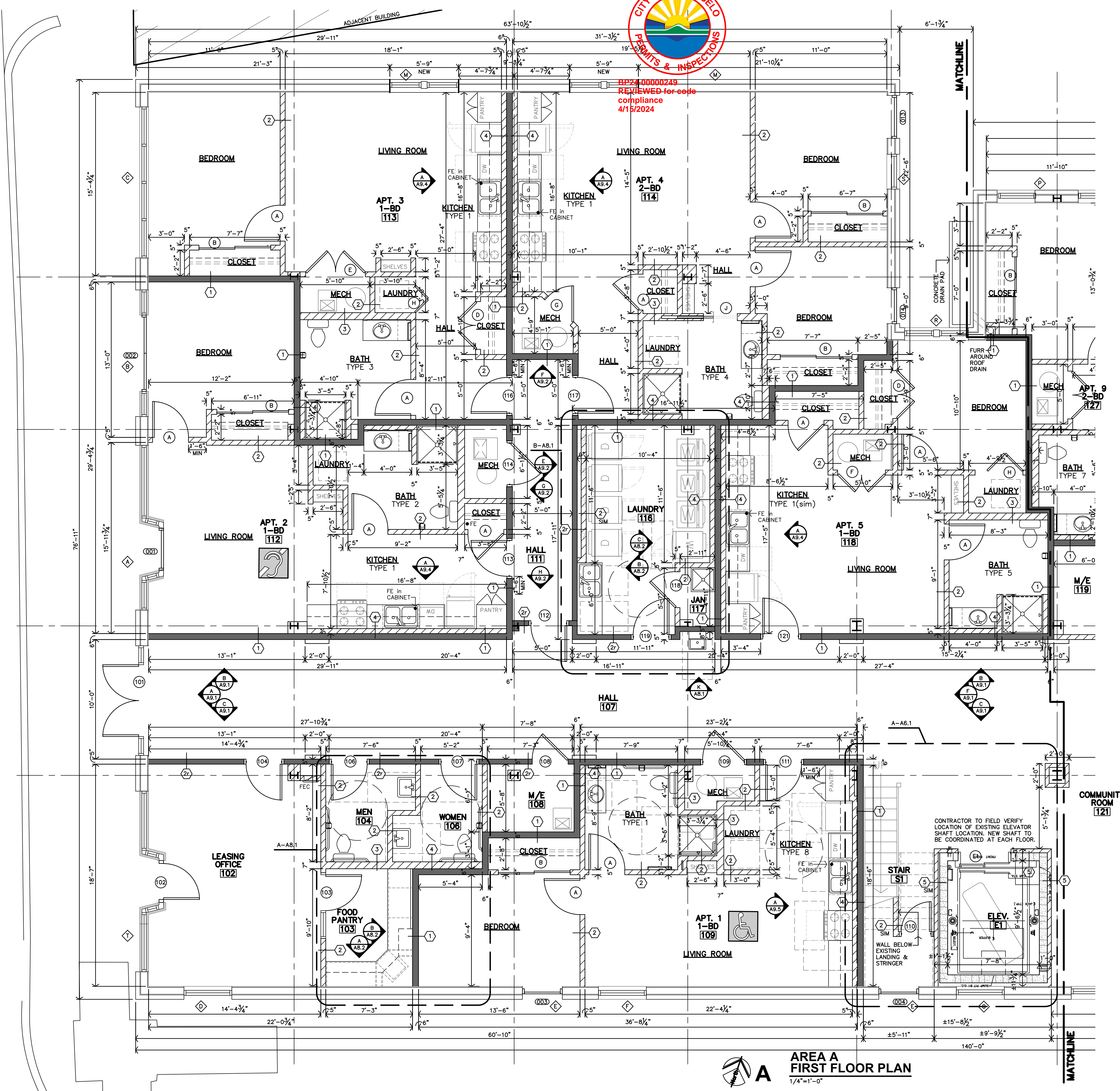
REVISION:
DATE: 1-16-2024
JOB: 22-3281
SHEET NO.:

A2.2

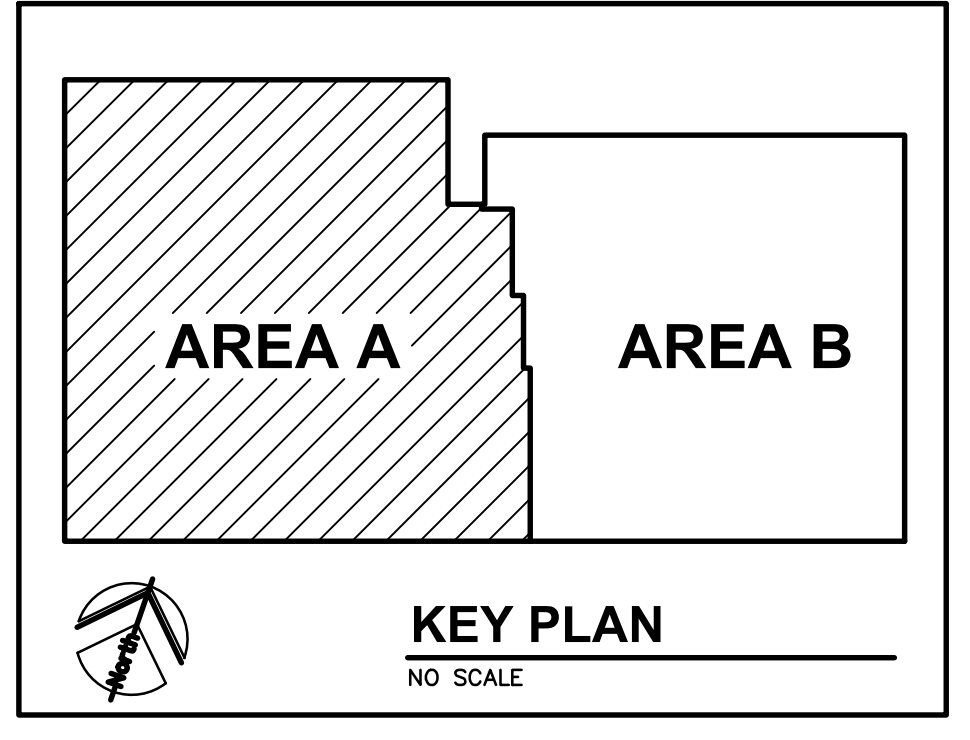
COPYRIGHTED ©



BP24-00000249
 REVIEWED for code
 compliance
 4/15/2024



**AREA A
 FIRST FLOOR PLAN**
 1/4"=1'-0"

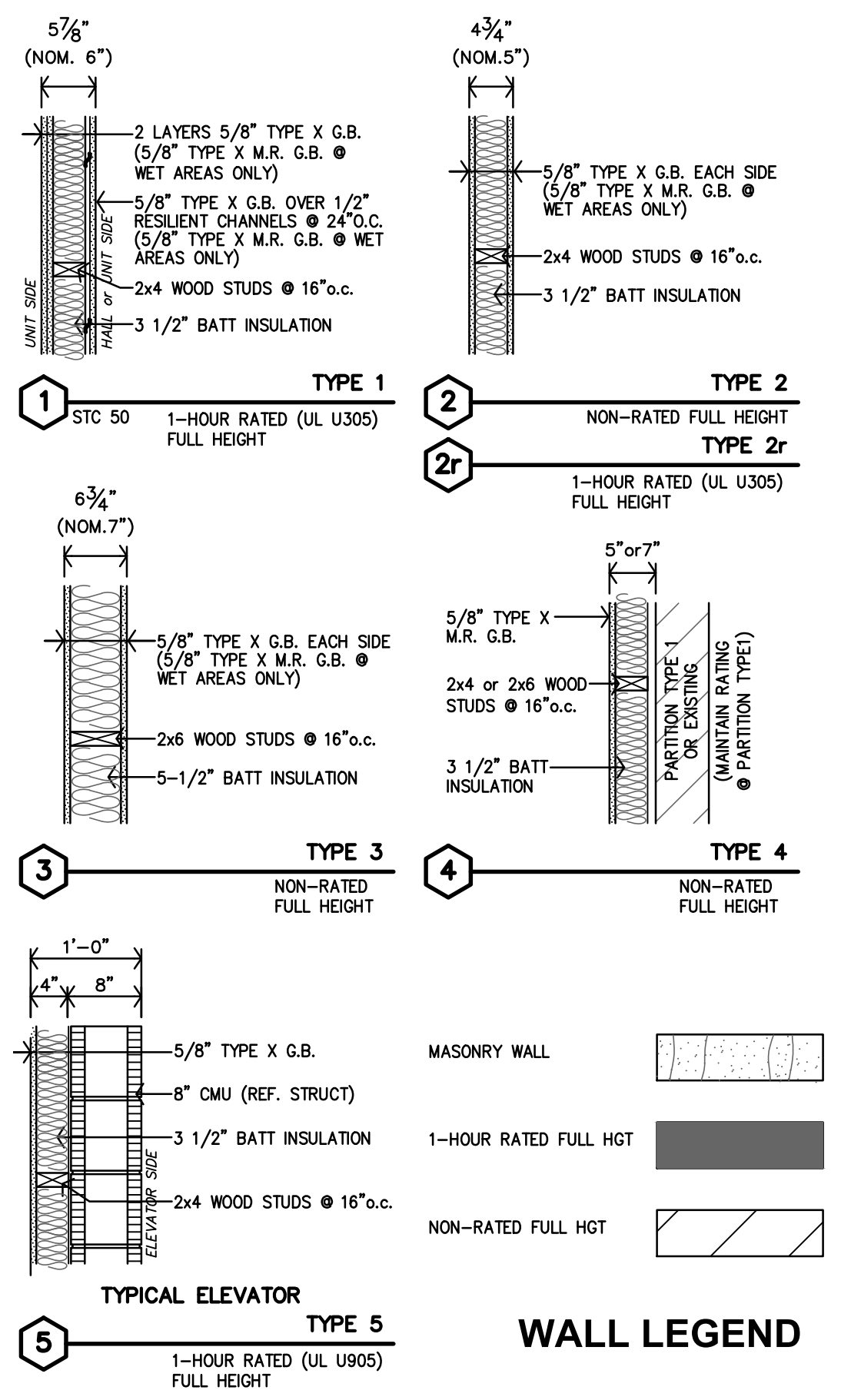


PLAN NOTES

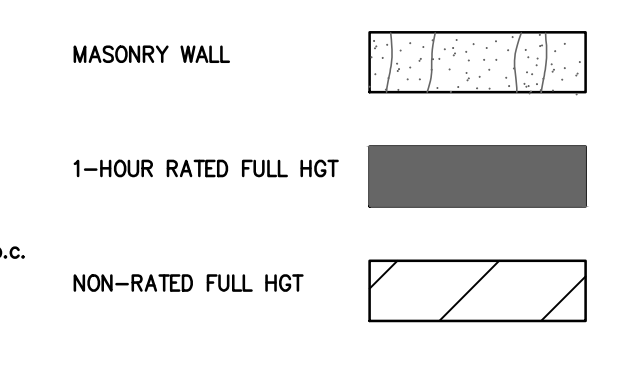
- REF. SHEET A2.0 FOR UNIT GENERAL NOTES PARTITION SCHEDULE, KITCHEN/BATH MATRIX AND STANDARD DETAILS.

PARTITION SCHEDULE

- ALL WALLS TO BE EXTEND TO STRUCTURE, UNLESS NOTED OR DETAILED OTHERWISE
- LOAD BEARING WALLS & FIRE PARTITIONS SHALL EXTEND TO DECK, SEALED SMOKE TIGHT.
- REF. SHEETS CFP, A7.1 & A7.2 FOR RATED WALLS, LOCATIONS & CODE INFORMATION



WALL LEGEND



Jones Gillam Renz
 1881 Main Street, Suite 301
 Salina, KS 67401
 785.827.0386
 jgr@jgarchitects.com



ROOSEVELT LOFTS
 HISTORIC REHABILITATION - APARTMENTS
 SAN ANGELO, TEXAS



REVISION:

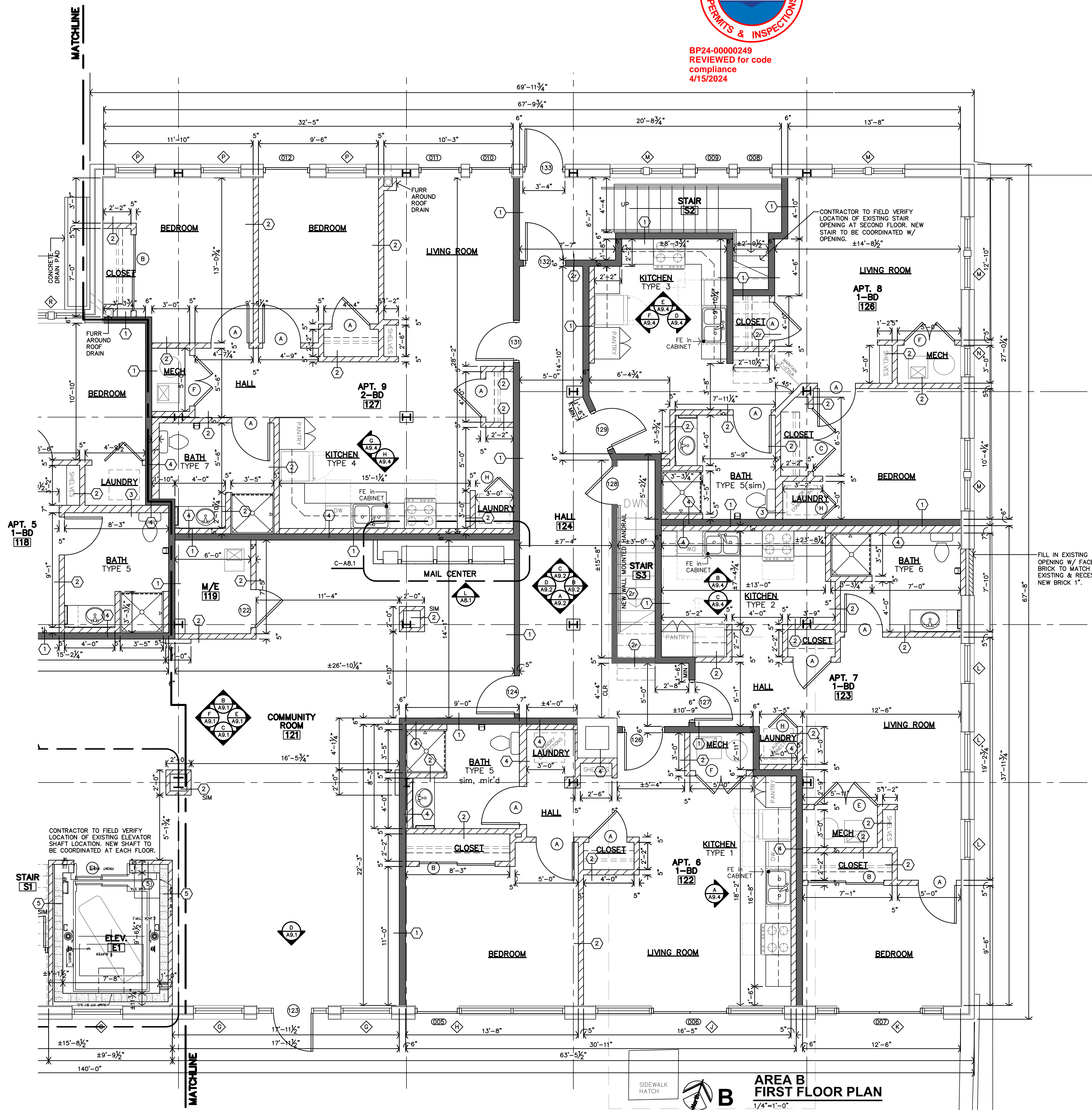
DATE: 1-16-2024
 JOB: 22-3281
 SHEET NO.:

A2.3

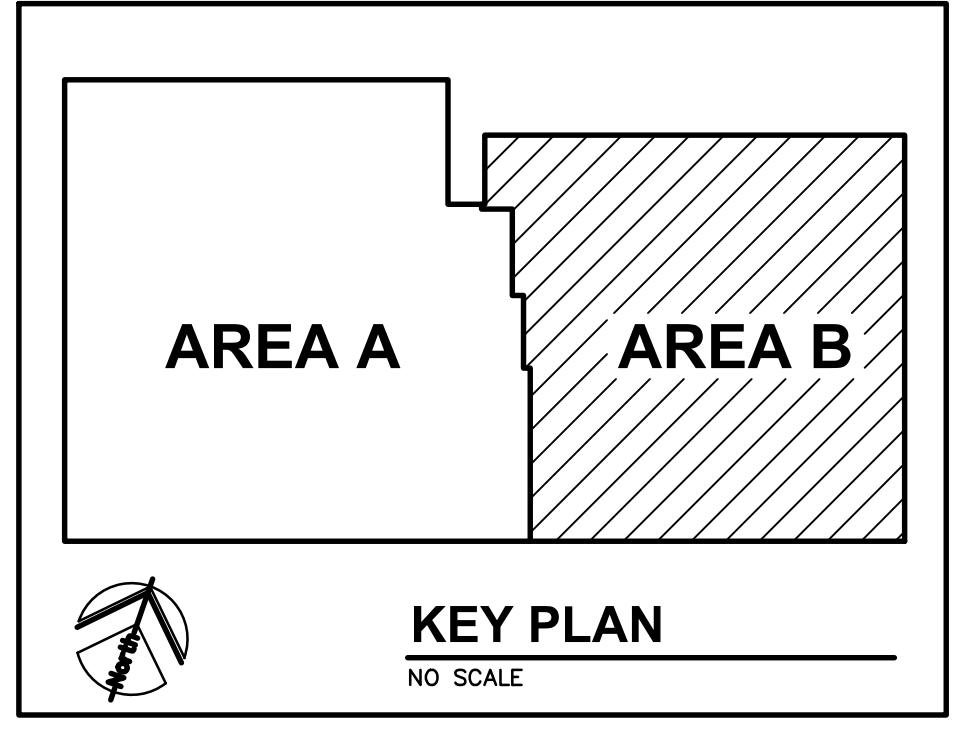
COPYRIGHTED



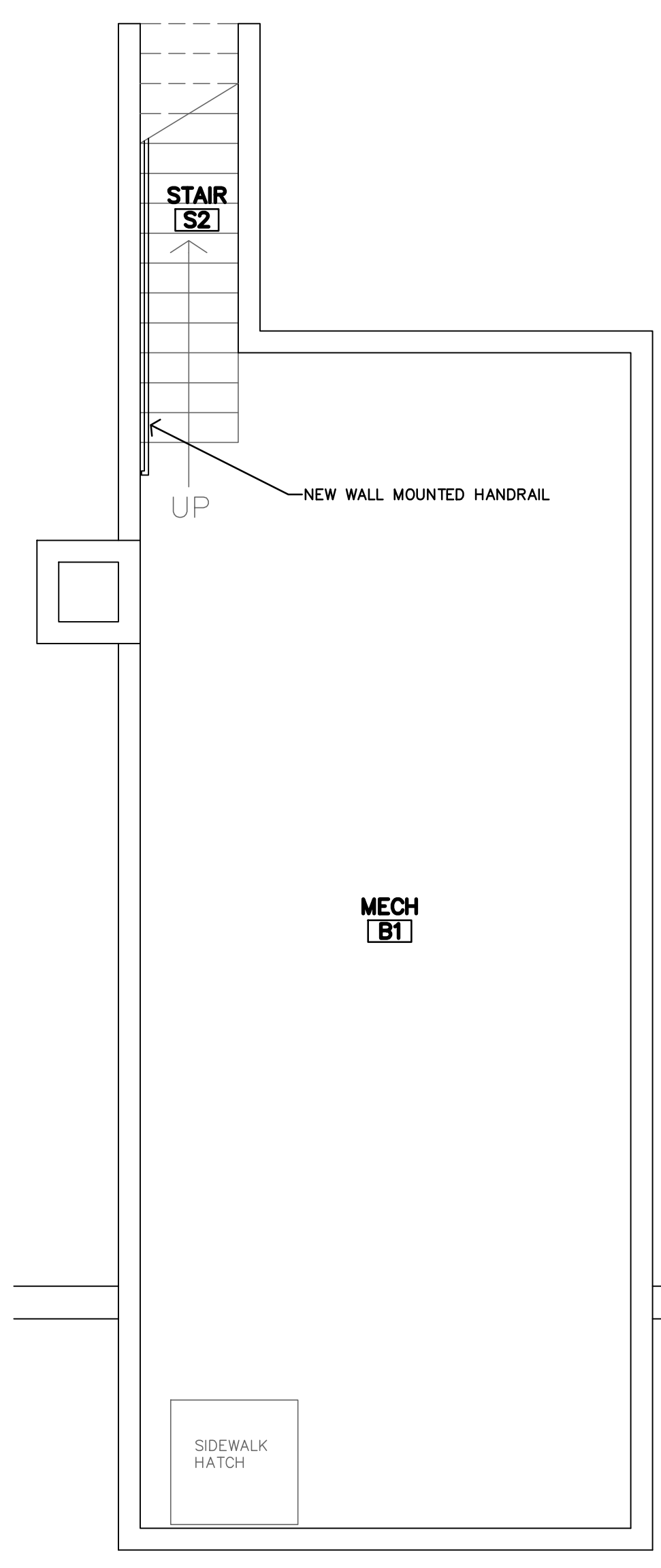
BP24-0000249
 REVIEWED for code
 compliance
 4/15/2024



**AREA B
 FIRST FLOOR PLAN**
 1/4"=1'-0"



PLAN NOTES
 1. REF SHEET A2.0 FOR UNIT GENERAL NOTES PARTITION SCHEDULE, KITCHEN/BATH MATRIX AND STANDARD DETAILS.

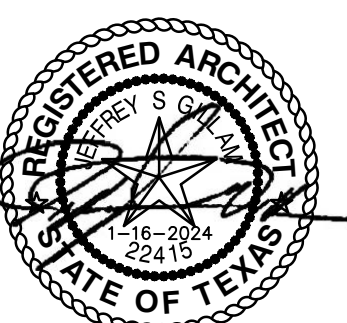


BASEMENT PLAN
 1/8"=1'-0"

Jones Gillam Renz
 1881 Main Street, Suite 301
 Salina, KS 67401
 785.827.0386
 jgr@jgarchitects.com



ROOSEVELT LOFTS
 HISTORIC REHABILITATION - APARTMENTS
 SAN ANGELO, TEXAS



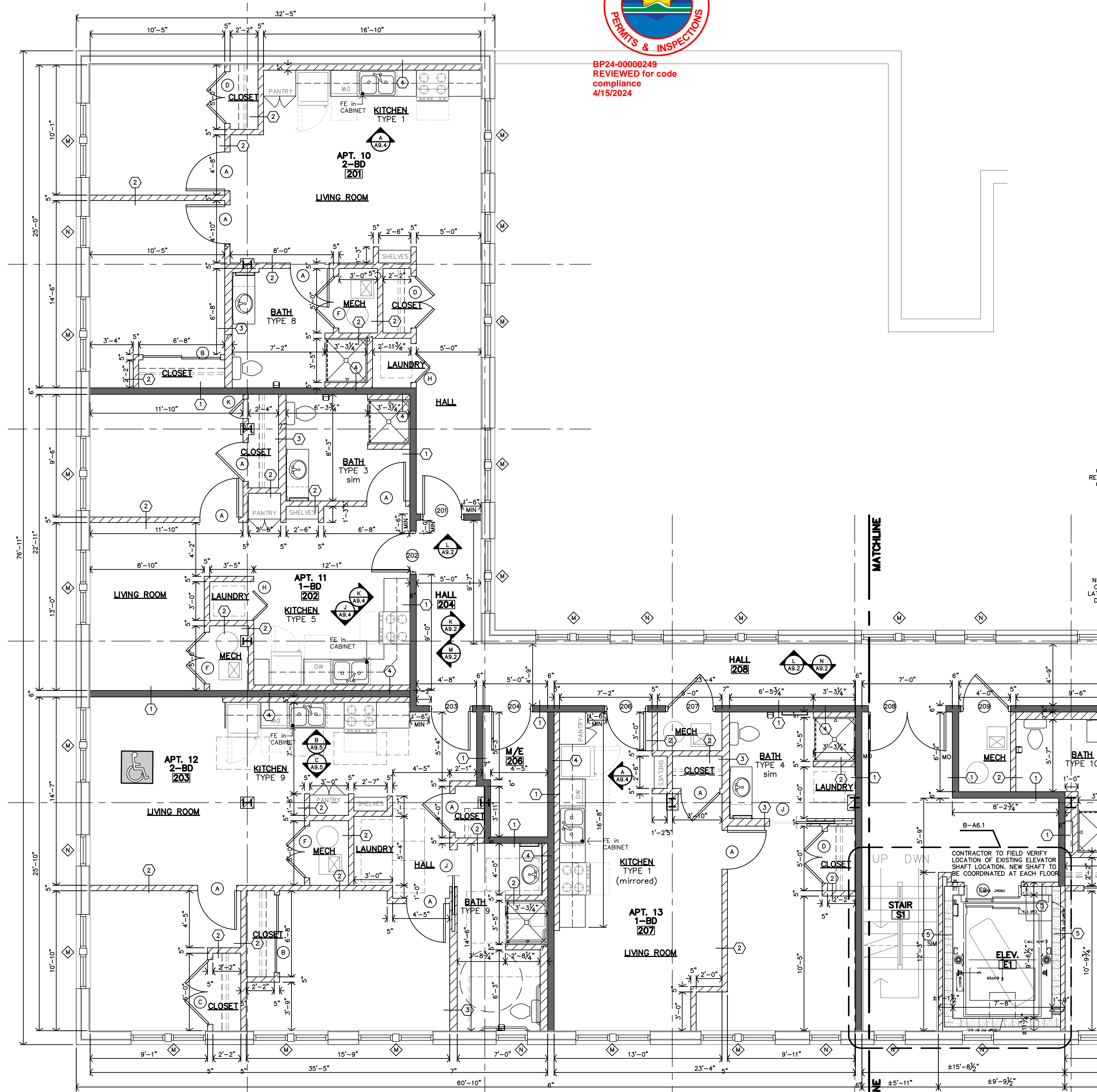
REVISION:
 DATE: 1-16-2024
 JOB: 22-3281
 SHEET NO.:

A2.4

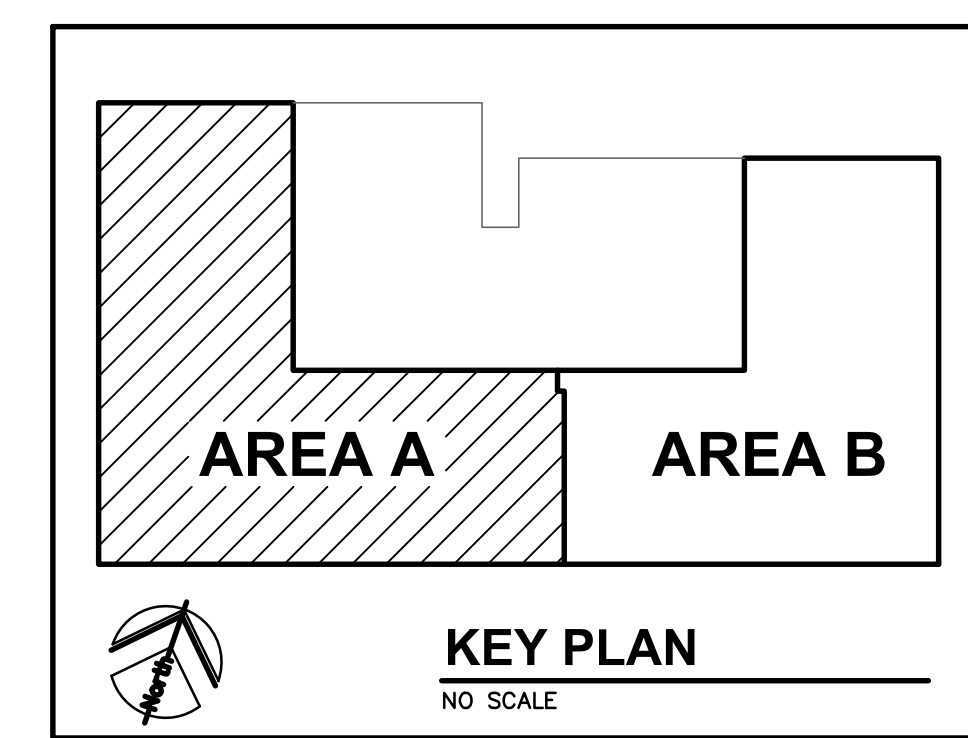
COPYRIGHTED



BP24-0000249
 REVIEWED for code
 compliance
 4/15/2024



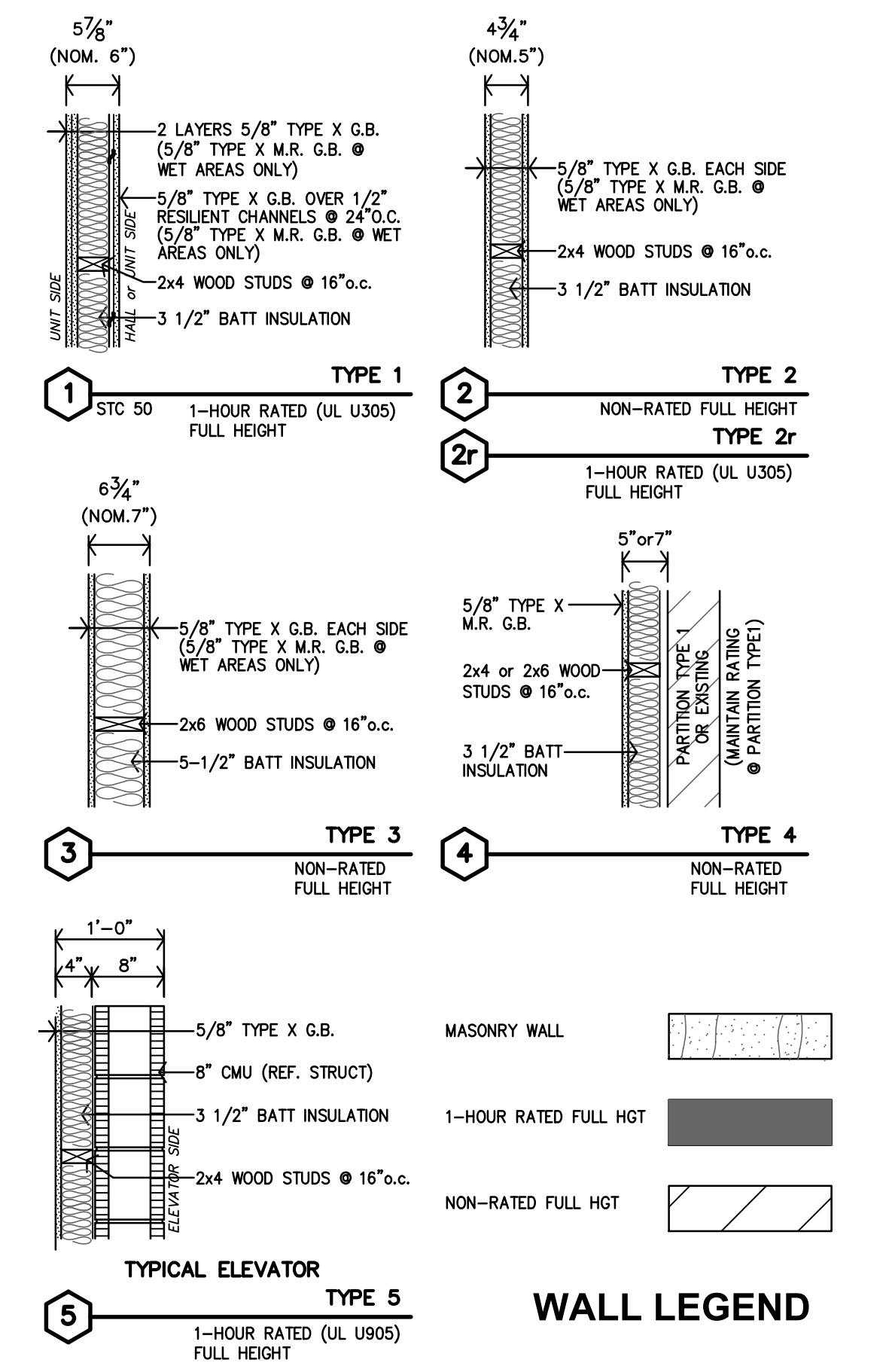
**AREA A
 SECOND FLOOR PLAN**
 1/4"=1'-0"



PLAN NOTES
 1. REF SHEET A2.0 FOR UNIT GENERAL NOTES
 PARTITION SCHEDULE, KITCHEN/BATH
 MATRIX AND STANDARD DETAILS.

PARTITION SCHEDULE

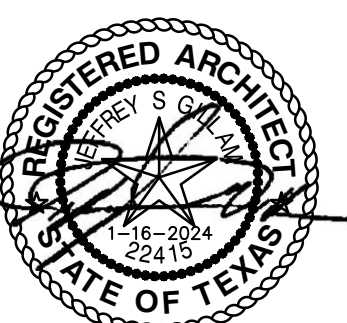
- ALL WALLS TO BE EXTEND TO STRUCTURE, UNLESS NOTED OR DETAILED OTHERWISE
- LOAD BEARING WALLS & FIRE PARTITIONS SHALL EXTEND TO DECK, SEALED SMOKE TIGHT.
- REF. SHEETS CFP, A7.1 & A7.2 FOR RATED WALLS, LOCATIONS & CODE INFORMATION



JonesGillamRenz
 1881 Main Street, Suite 301
 Salina, KS 67401
 Kansas City, MO 64108
 jgr@jgarchitects.com
 785.827.0386



ROOSEVELT LOFTS
 HISTORIC REHABILITATION - APARTMENTS
 SAN ANGELO, TEXAS



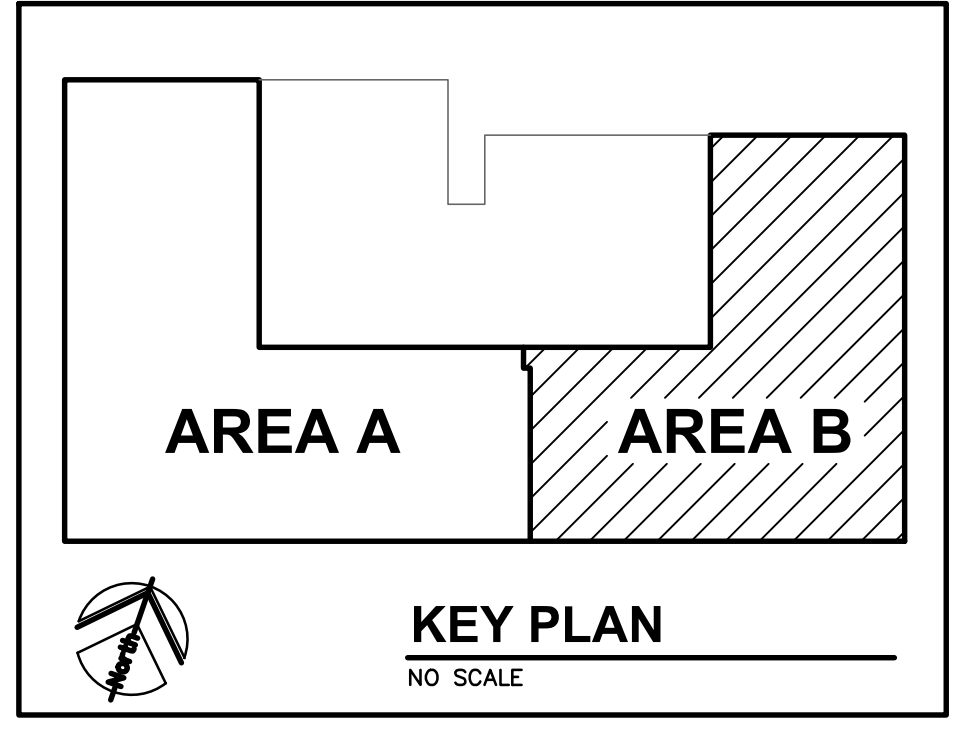
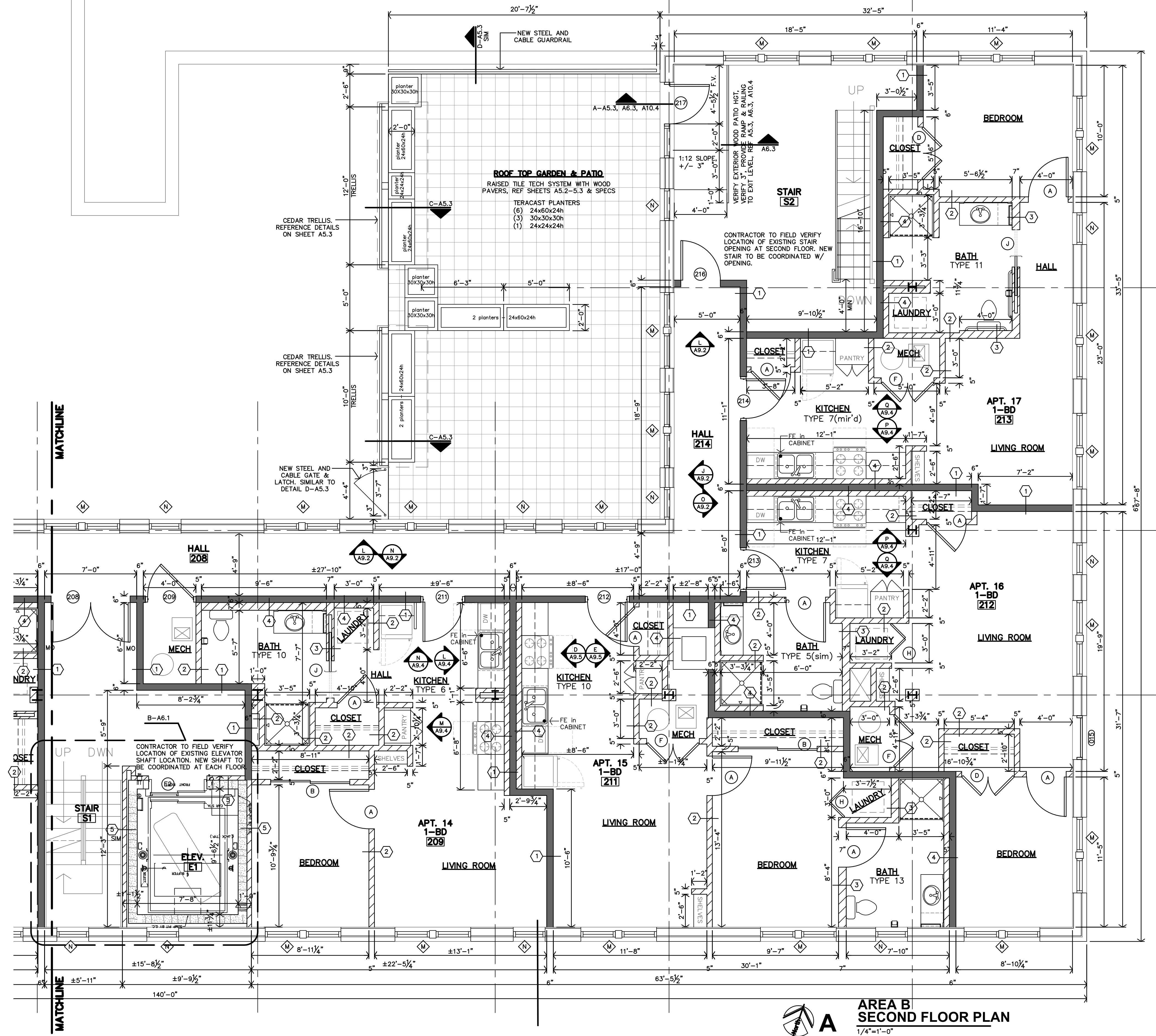
REVISION:
 DATE: 1-16-2024
 JOB: 22-3281
 SHEET NO.:

A2.5

COPYRIGHTED



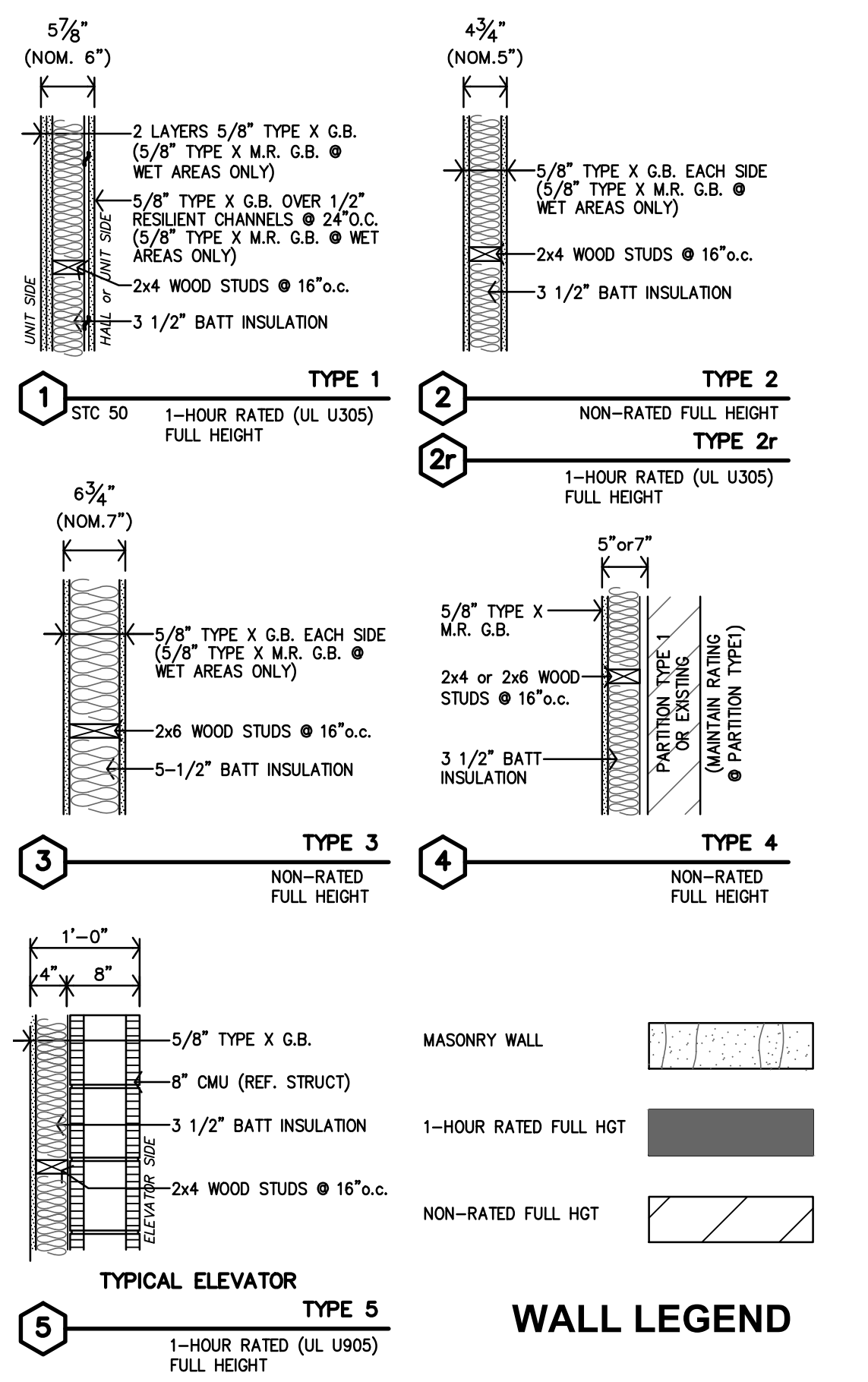
BP24-0000249
 REVIEWED for code
 compliance
 4/15/2024



PLAN NOTES
 1. REF SHEET A2.0 FOR UNIT GENERAL NOTES PARTITION SCHEDULE, KITCHEN/BATH MATRIX AND STANDARD DETAILS.

PARTITION SCHEDULE

- ALL WALLS TO BE EXTEND TO STRUCTURE, UNLESS NOTED OR DETAILED OTHERWISE
- LOAD BEARING WALLS & FIRE PARTITIONS SHALL EXTEND TO DECK, SEALED SMOKE TIGHT.
- REF. SHEETS CFP, A7.1 & A7.2 FOR RATED WALLS, LOCATIONS & CODE INFORMATION

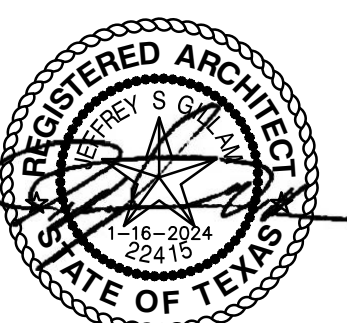


AREA B SECOND FLOOR PLAN
 1/4"=1'-0"

Jones Gillam Renz
 1881 Main Street, Suite 301
 Salina, KS 67401
 785.827.0386
 jgr@jgarchitects.com



ROOSEVELT LOFTS
 HISTORIC REHABILITATION - APARTMENTS
 SAN ANGELO, TEXAS



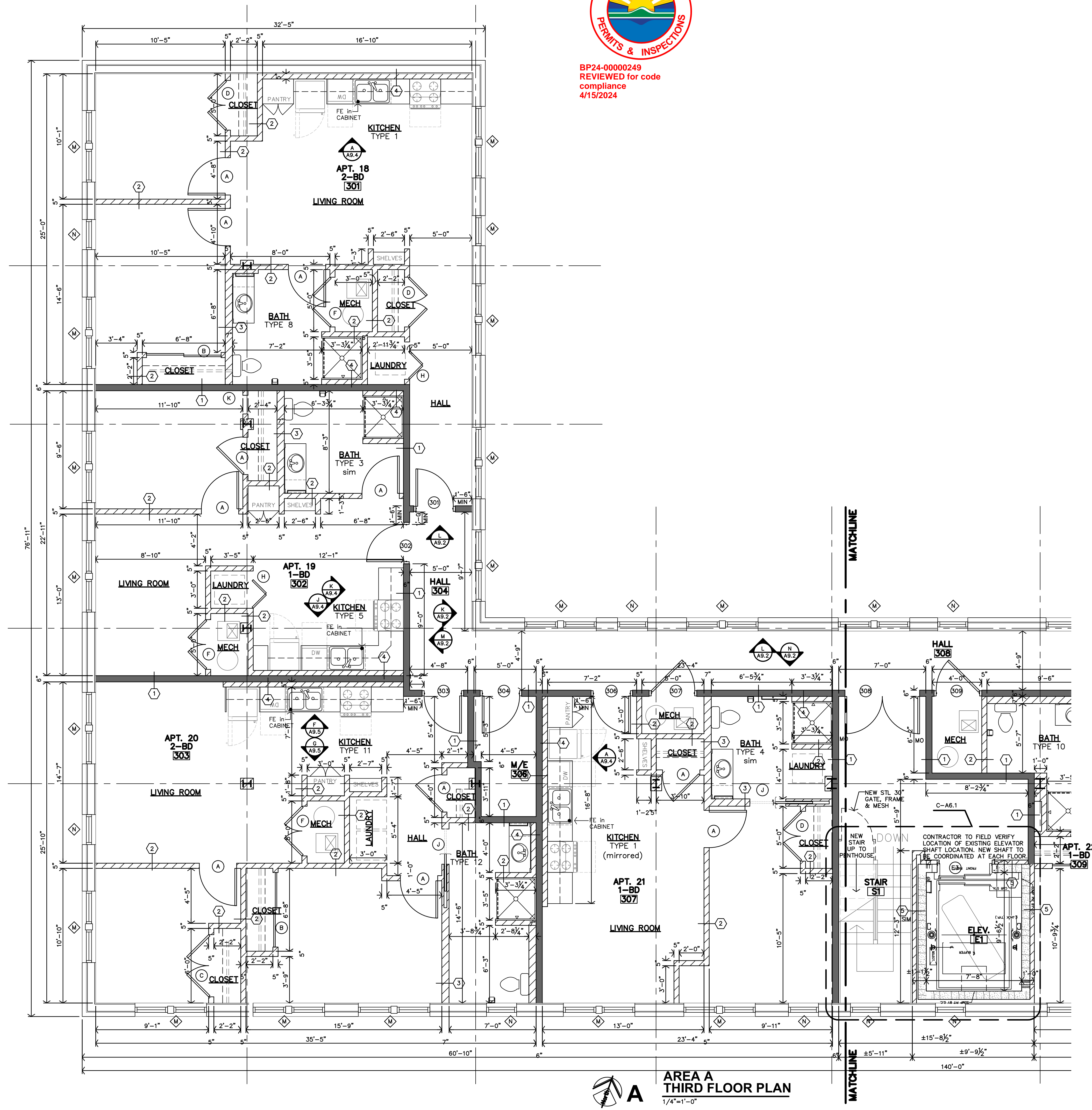
REVISION:
 DATE: 1-16-2024
 JOB: 22-3281
 SHEET NO.:

A2.6

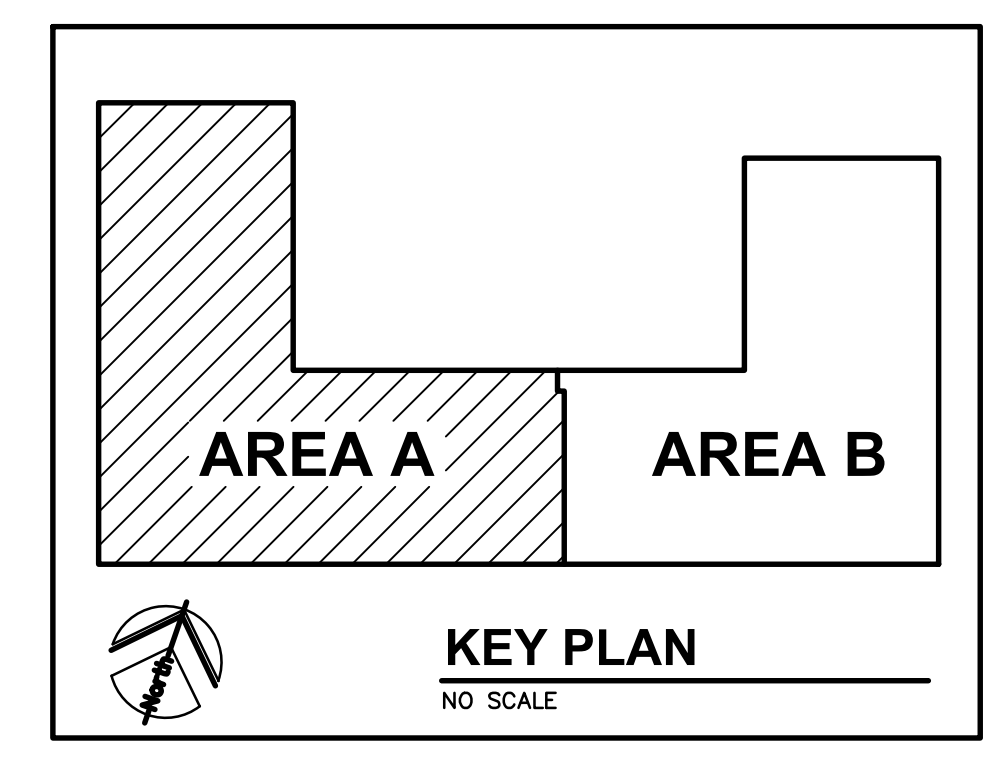
COPYRIGHTED



BP24-0000249
 REVIEWED for code
 compliance
 4/15/2024



AREA A
THIRD FLOOR PLAN
 1/4"=1'-0"

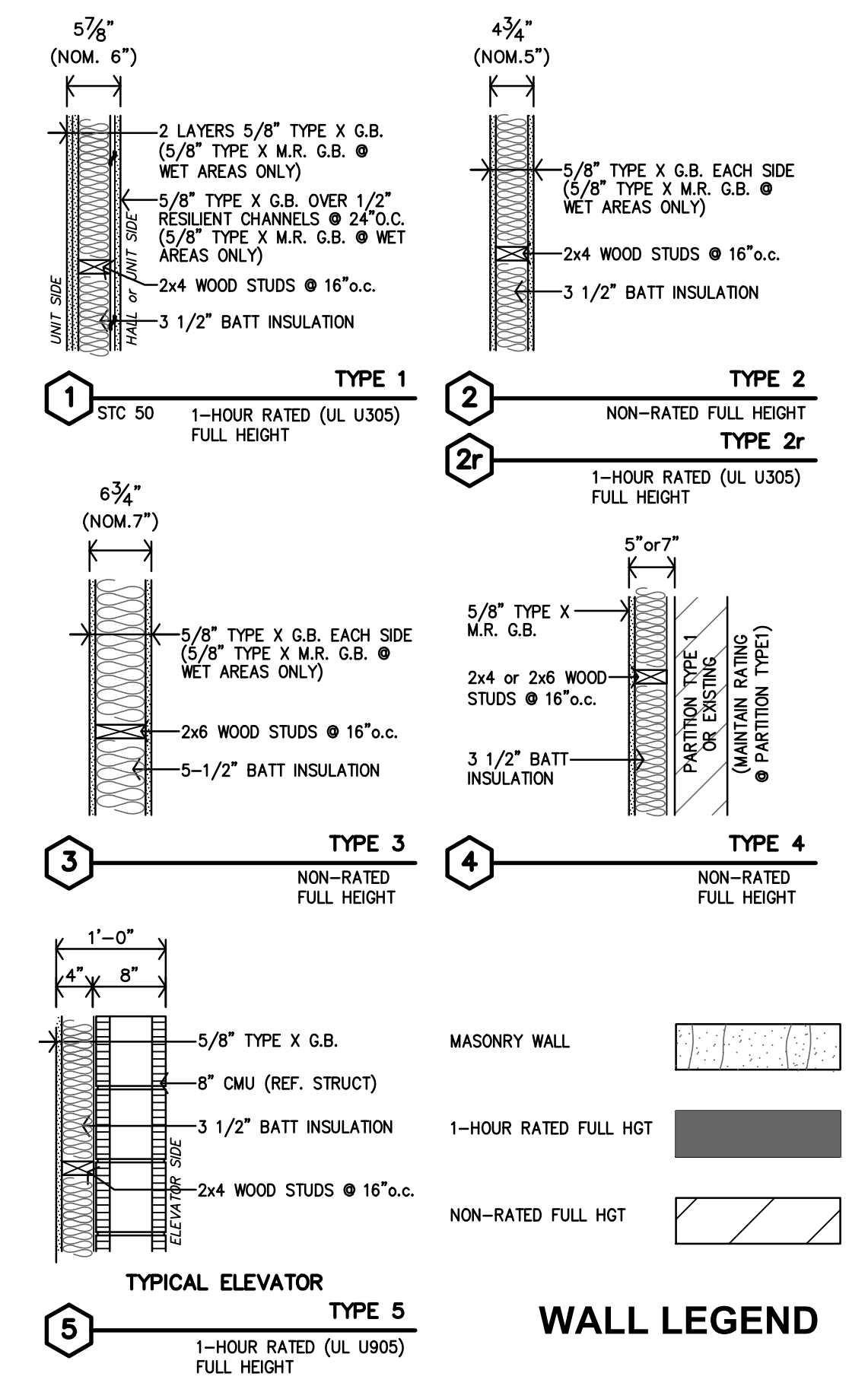


PLAN NOTES

- REF SHEET A2.0 FOR UNIT GENERAL NOTES PARTITION SCHEDULE, KITCHEN/BATH MATRIX AND STANDARD DETAILS.

PARTITION SCHEDULE

- ALL WALLS TO BE EXTEND TO STRUCTURE, UNLESS NOTED OR DETAILED OTHERWISE
- LOAD BEARING WALLS & FIRE PARTITIONS SHALL EXTEND TO DECK, SEALED SMOKE TIGHT.
- REF. SHEETS CFP, A7.1 & A7.2 FOR RATED WALLS, LOCATIONS & CODE INFORMATION



JonesGillamRenz
 1881 Main Street, Suite 301
 Salina, KS 67401
 785.827.0386
 jgr@jgarchitects.com



ROOSEVELT LOFTS
 HISTORIC REHABILITATION - APARTMENTS
 SAN ANGELO, TEXAS



REVISION:

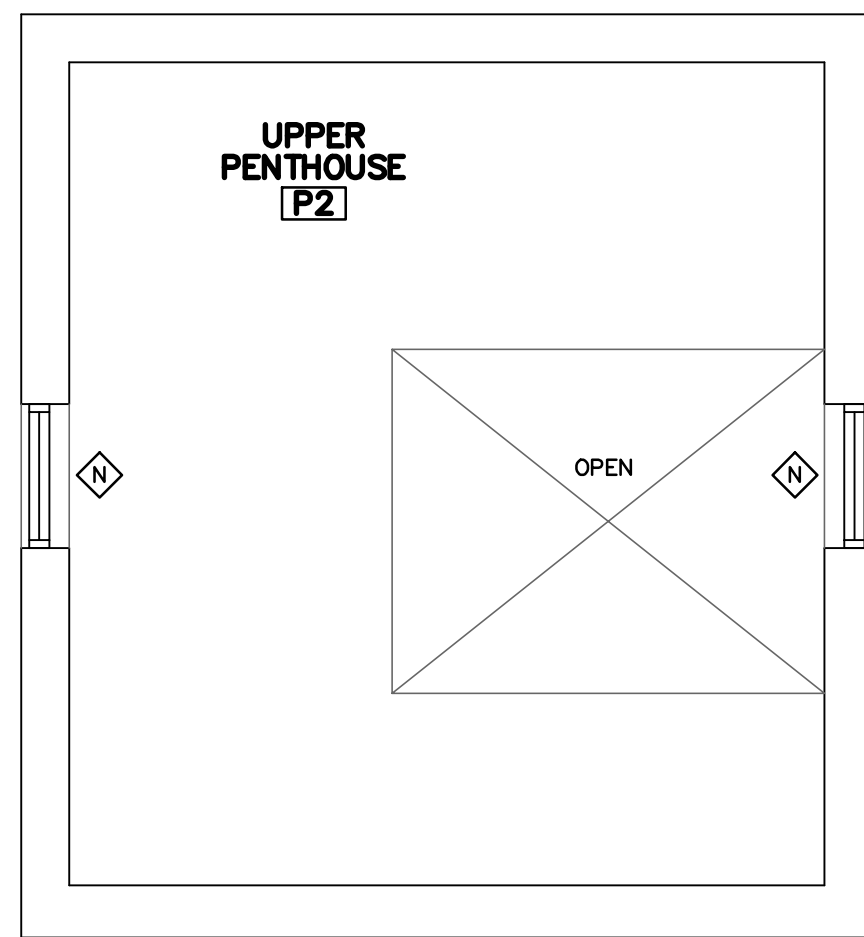
DATE: 1-16-2024
 JOB: 22-3281
 SHEET NO.:

A2.7

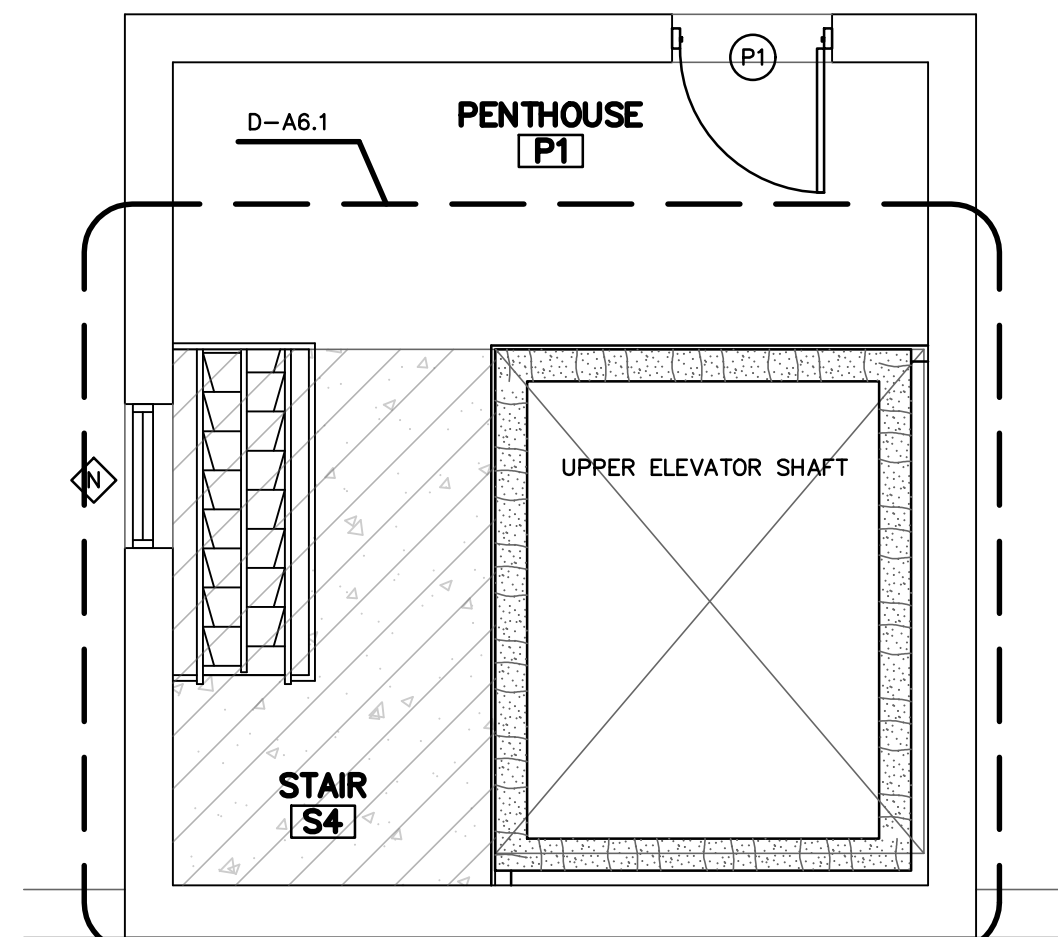
COPYRIGHTED



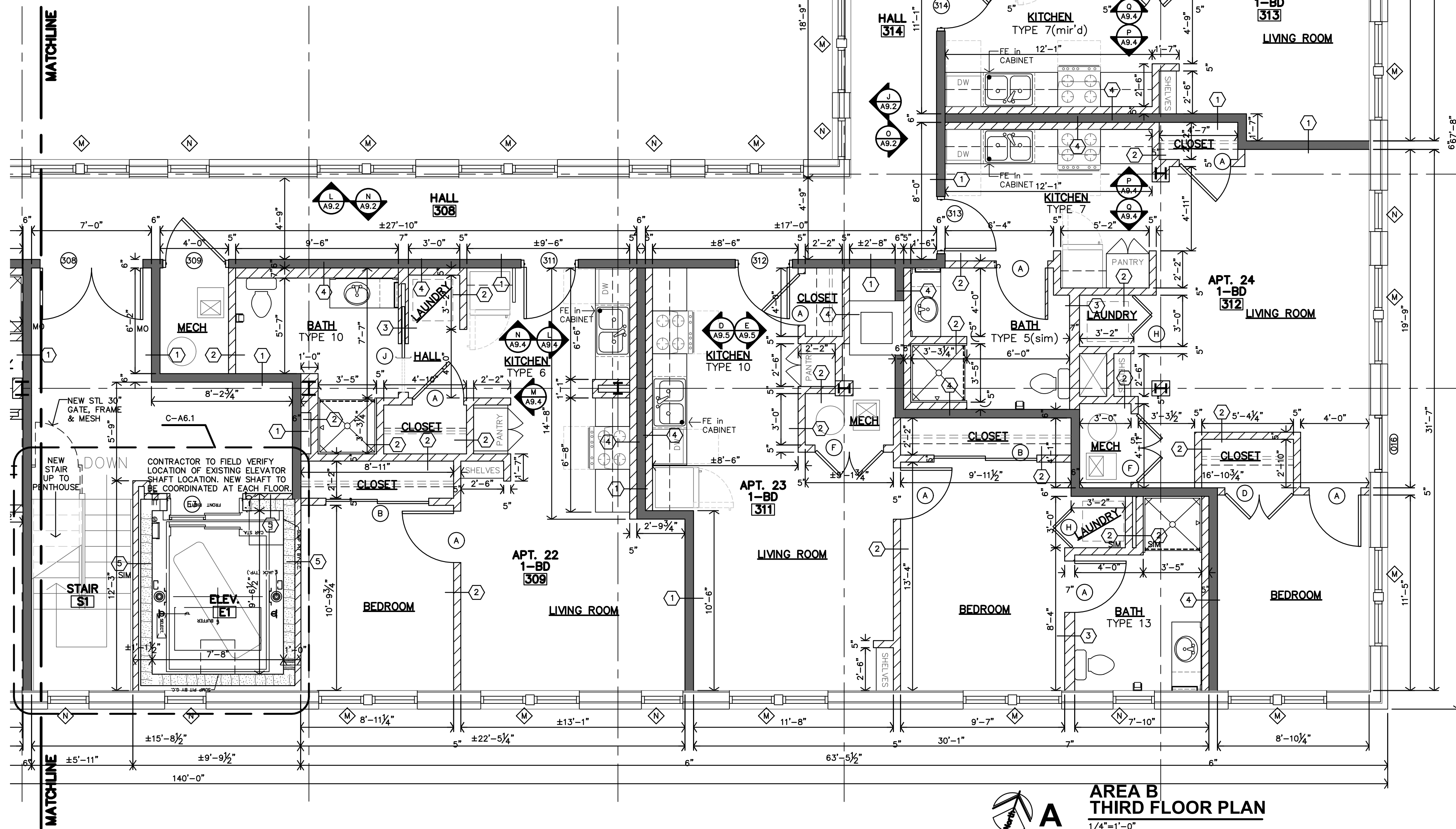
BP24-0000249
 REVIEWED for code
 compliance
 4/15/2024



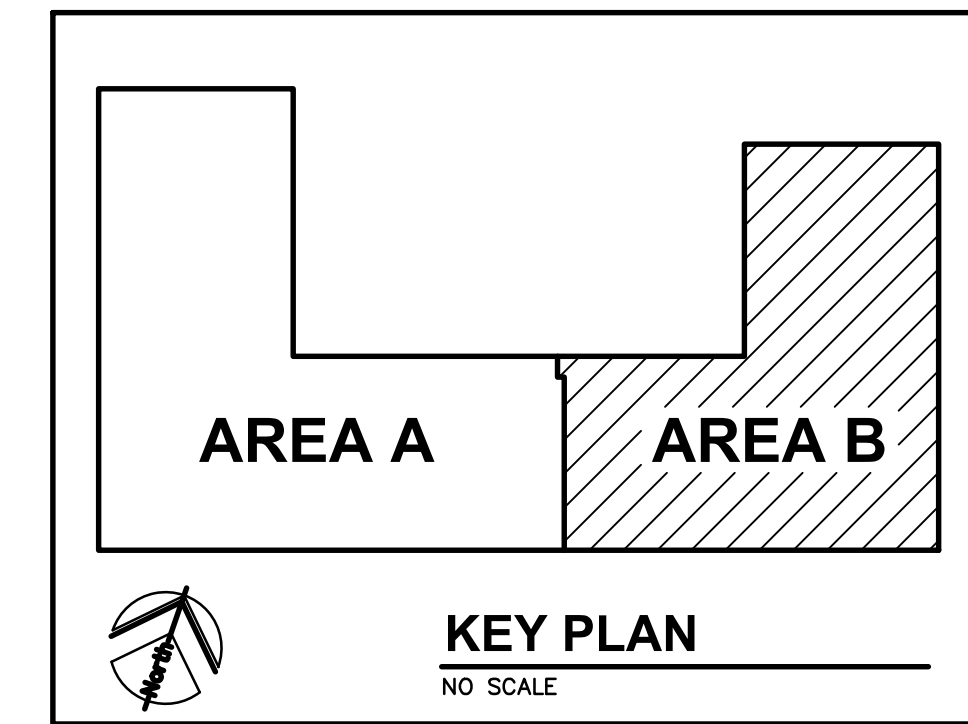
C UPPER PENTHOUSE PLAN
 1/4"=1'-0"



B PENTHOUSE PLAN
 1/4"=1'-0"



A AREA B
 THIRD FLOOR PLAN
 1/4"=1'-0"



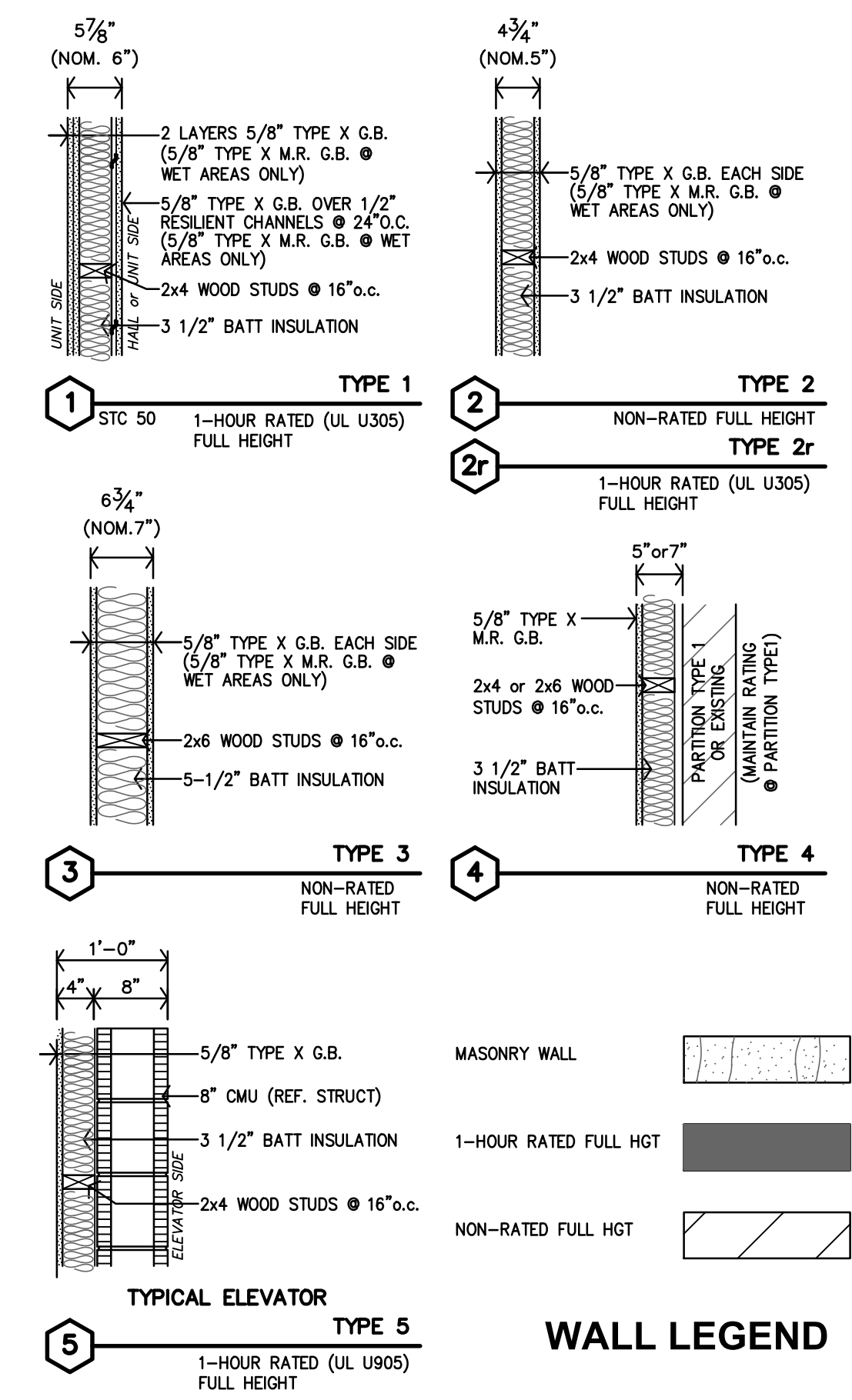
KEY PLAN
 NO SCALE

PLAN NOTES

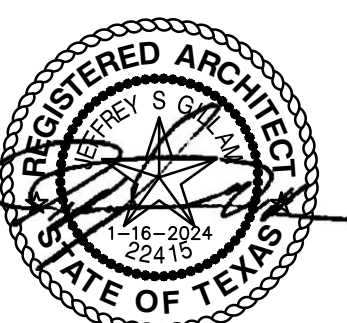
- REF SHEET A2.0 FOR UNIT GENERAL NOTES PARTITION SCHEDULE, KITCHEN/BATH MATRIX AND STANDARD DETAILS.

PARTITION SCHEDULE

- ALL WALLS TO BE EXTEND TO STRUCTURE, UNLESS NOTED OR DETAILED OTHERWISE
- LOAD BEARING WALLS & FIRE PARTITIONS SHALL EXTEND TO DECK, SEALED SMOKE TIGHT.
- REF. SHEETS CFP, A7.1 & A7.2 FOR RATED WALLS, LOCATIONS & CODE INFORMATION



ROOSEVELT LOFTS
 HISTORIC REHABILITATION - APARTMENTS
 SAN ANGELO, TEXAS

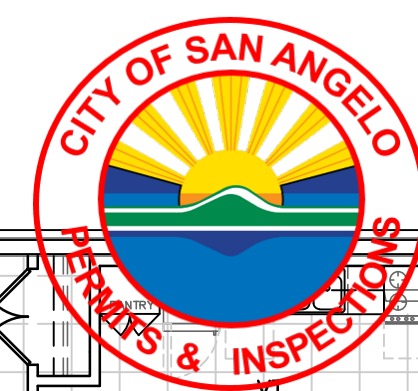


REVISION:
 DATE: 1-16-2024
 JOB: 22-3281
 SHEET NO.:

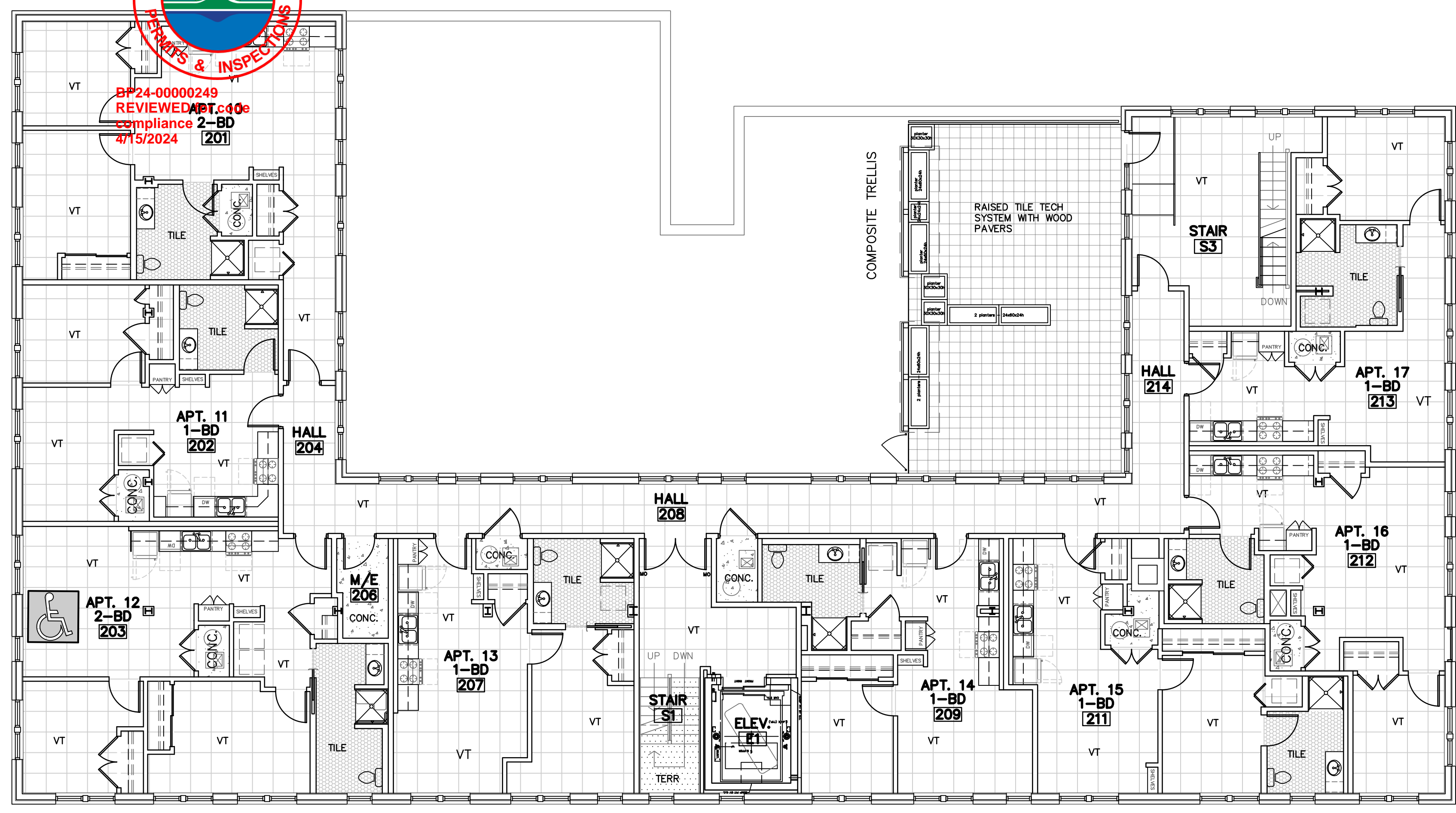
A2.8

COPYRIGHTED

Jones Gillam Renz
 1881 Main Street, Suite 301
 Salina, KS 67401
 785.827.0386
 jgr@jgarchitects.com



BP24-0000249
 REVIEWED APT. 100
 COMPLIANCE 2-BD
 7/15/2024



B SECOND FLOOR FLOOR FINISH PLAN
 3/32"=1'-0" THIRD FLOOR SIMILAR

FLOORING GENERAL NOTES

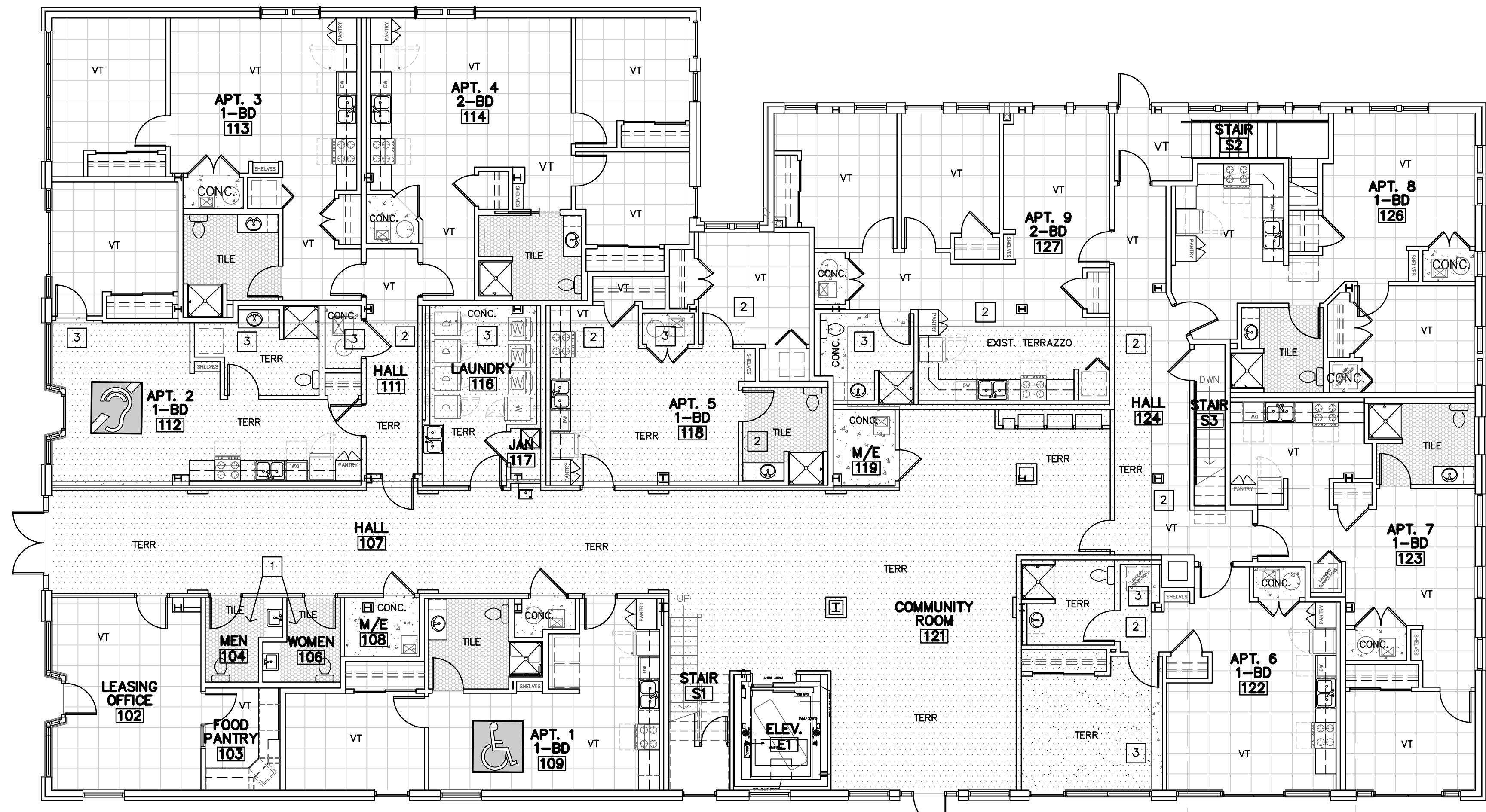
- FLOORING CONTRACTOR SHALL VERIFY THAT SUBFLOOR IS LEVEL AND PROPERLY PREPPED PRIOR TO INSTALLATION OF ANY FLOORING MATERIALS.
- CONTRACTOR SHALL VERIFY THAT FLOORS ARE PREPPED/"FLOORSTONED" FOR LEVEL TRANSITION BETWEEN DIFFERING MATERIALS.
- CONTRACTOR SHALL COORDINATE WITH INTERIOR ELEVATIONS, FLOOR PLANS AND MISCELLANEOUS DETAILS TO VERIFY ALL AESTHETIC ACCENTS AND DETAILS.
- CUT TILE TIGHT AROUND DOOR FRAMES, AT VT FLOORS INSTALL CLEAR SILICONE SEALANT AT THE FLOOR/FRAME TRANSITION.
- INSTALL METAL SCHLUTER TRANSITION BETWEEN FLOOR & WALL MATERIAL TRANSITIONS UNLESS BULLNOSE OR WOOD TRIM IS INDICATED.
- ADD REDUCER STRIP AT ALL FLOORING TRANSITIONS.
- UNIT KITCHEN & BATH: AT REMOVABLE CABINET FRONTS, WALLS TO BE FINISHED & FLOORING CONTINUOUS UNDERNEATH. NO PLUMBING MODIFICATIONS ALLOWED AFTER CABINET FRONT IS REMOVED.
- VINYL TILE: PATCH, FILL VOIDS AND ENSURE FLOOR IS LEVEL & READY FOR NEW INSTALLATION APPROVED BY THE FLOOR MANUFACTURER.
- CARPET: PATCH, FILL VOIDS, SAND AND LEVEL, BEFORE INSTALLING

SPECIFIC NOTES

- AT MEN'S #104 AND WOMEN'S #106 - MOSAIC FLOORING PATTERN, REFERENCE DETAIL U-AB.1
- VINYL & CERAMIC TILE TO TERRAZZO TRANSITIONS: CUT/TRIM TERRAZZO SO THAT A STRAIGHT CLEAN LINE IS CREATED. USE A STAINLESS STEEL SCHLUTER SCHIENE TRIM (OR EQUIVALENT) BETWEEN THE TERRAZZO AND VINYL TILE.
- AT AREAS WHERE TERRAZZO DOESN'T MEET WALLS, AND SMALL PORTION OF SUB FLOORING IS EXPOSED. INSTALL SEALED CONCRETE. CONCRETE TO HAVE SIMILAR TEXTURE AND COLOR AS ORIGINAL TERRAZZO FLOOR. INSTALL NEW CONCRETE IN A SIMILAR FASHION TO REPLACEMENT TERRAZZO. REFERENCE SHEET A10.1 FOR ADDITIONAL DETAILS.

FLOORING LEGEND

VT	NEW VINYL TILE	TERR	EXISTING TERRAZZO
TILE	NEW MOSAIC TILE	CONC.	SEALED CONCRETE



A FIRST FLOOR FLOOR FINISH PLAN
 1/8"=1'-0"

JonesGillamRenz
 1881 Main Street, Suite 301
 Salina, KS 67401
 785.827.0386
 jgr@jgarchitects.com



ROOSEVELT LOFTS
 HISTORIC REHABILITATION - APARTMENTS
 SAN ANGELO, TEXAS



REVISION: _____
 DATE: 1-16-2024
 JOB: 22-3281
 SHEET NO.:

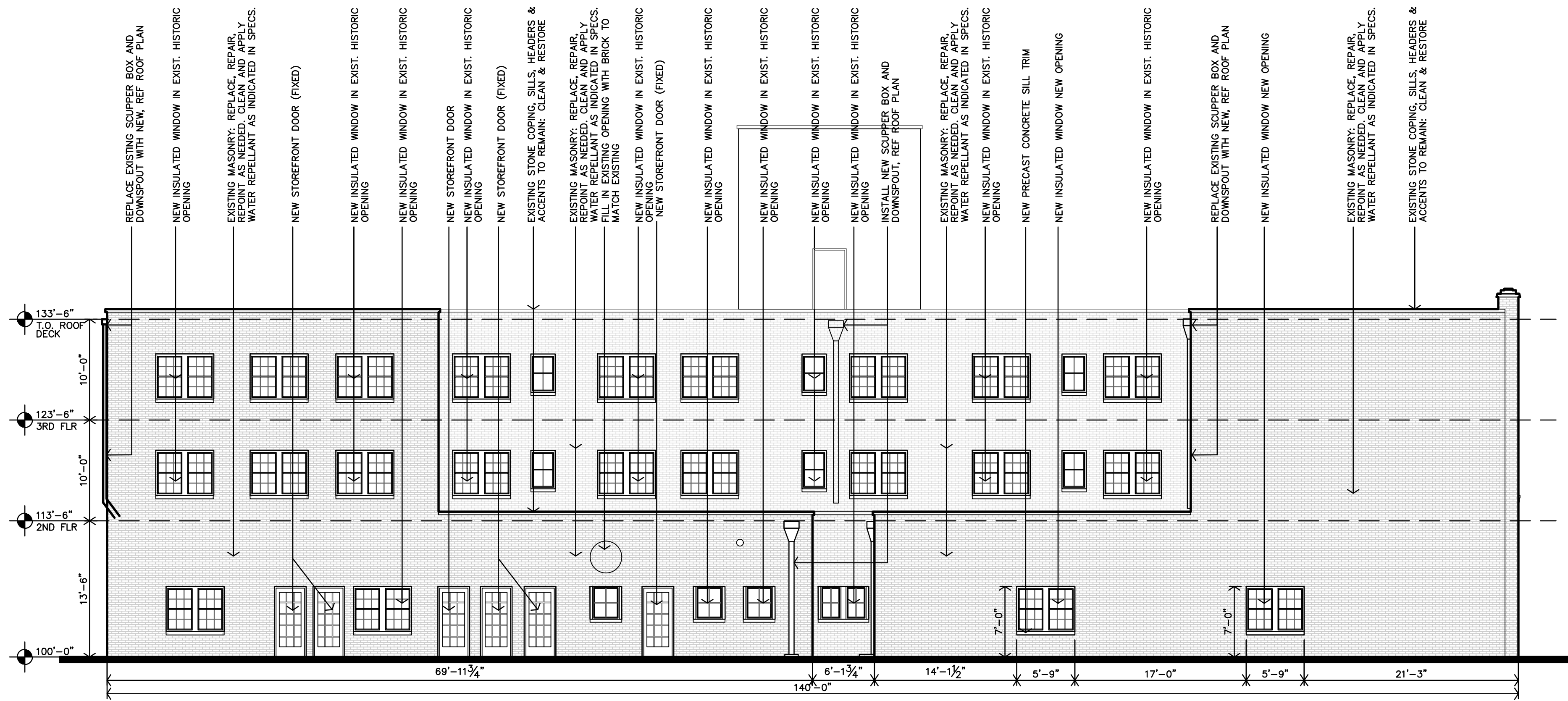
A2.9

COPYRIGHTED

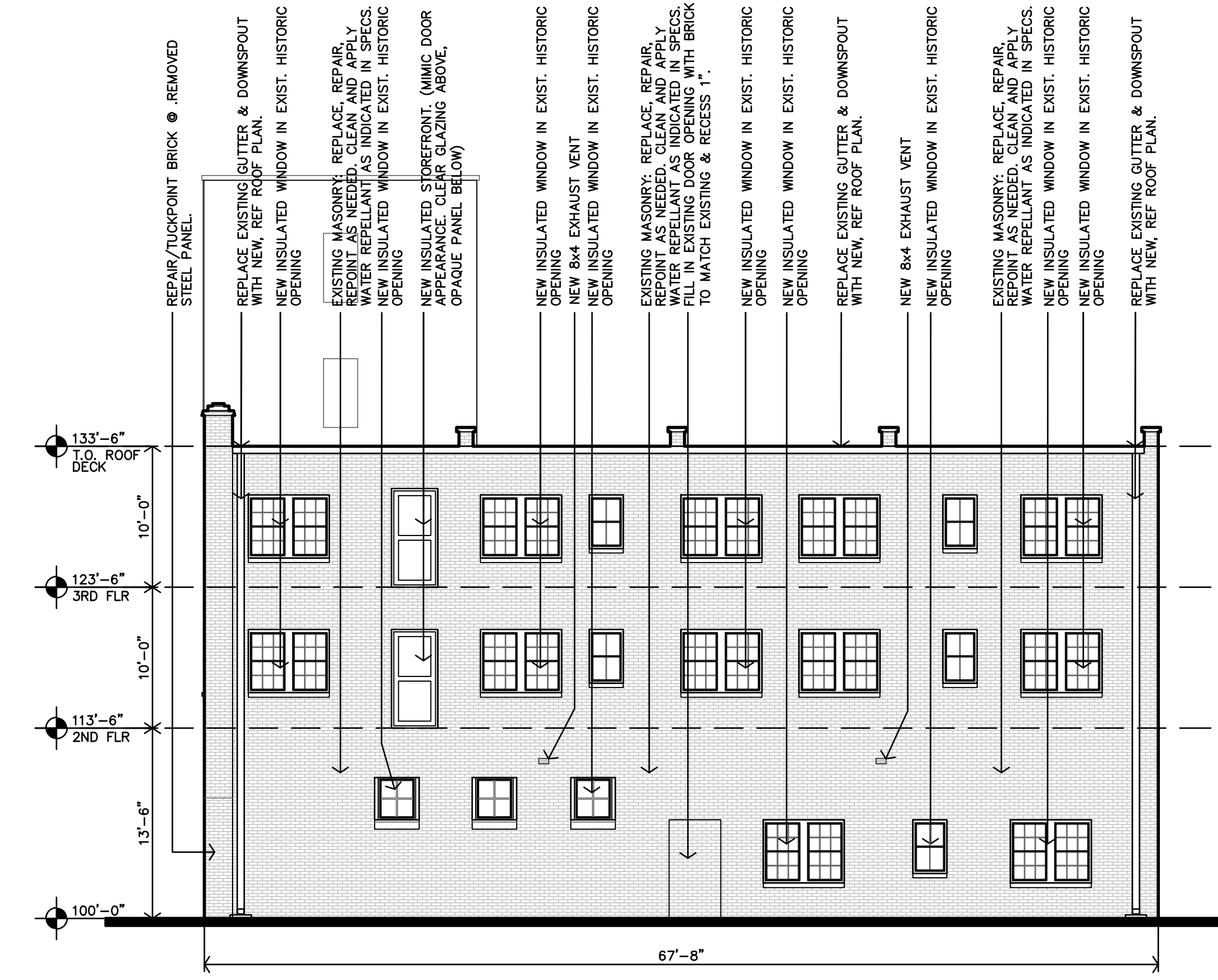


BP24-0000249
 REVIEWED for code
 compliance
 4/15/2024

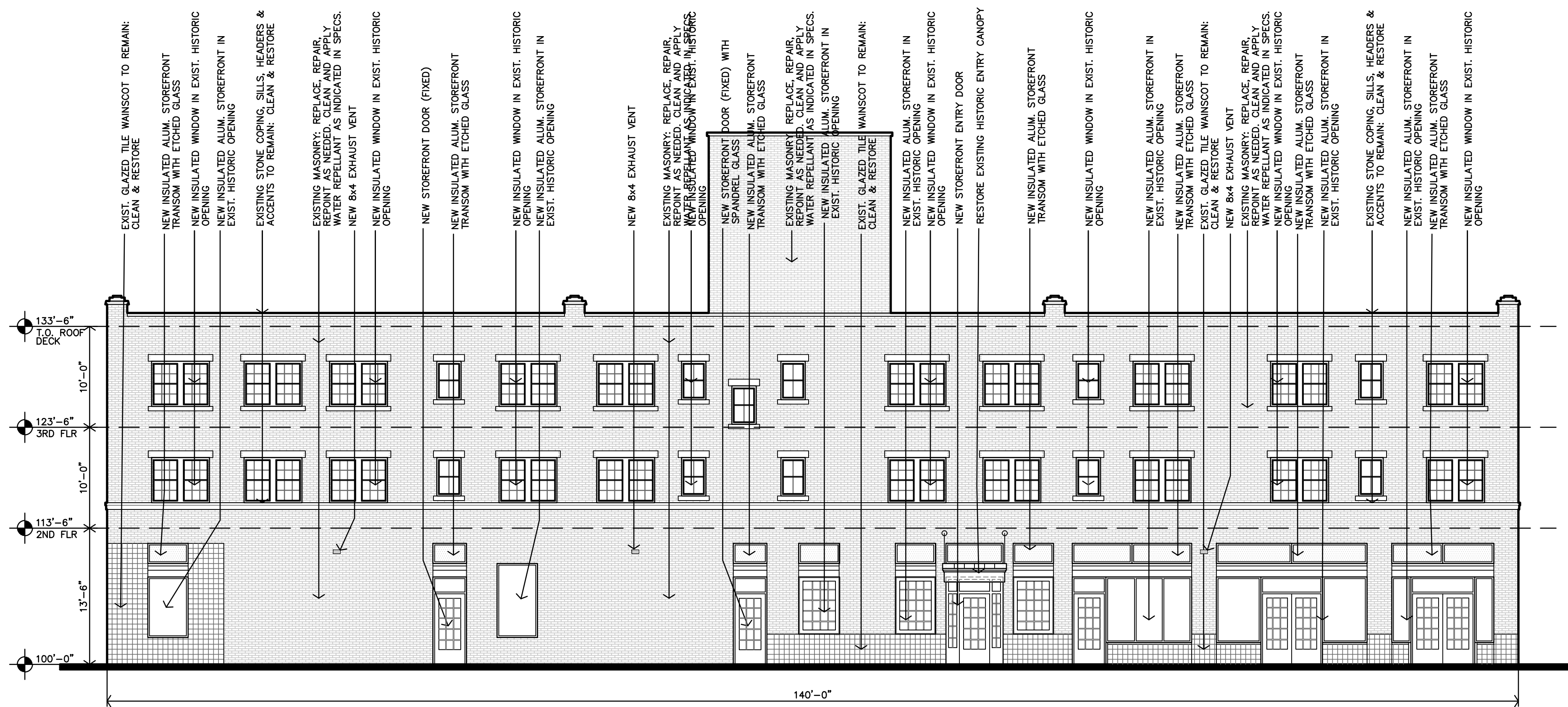
HISTORIC PRESERVATION AND
 RESTORATION NOTES CAN BE
 FOUND ON SHEET A3.2



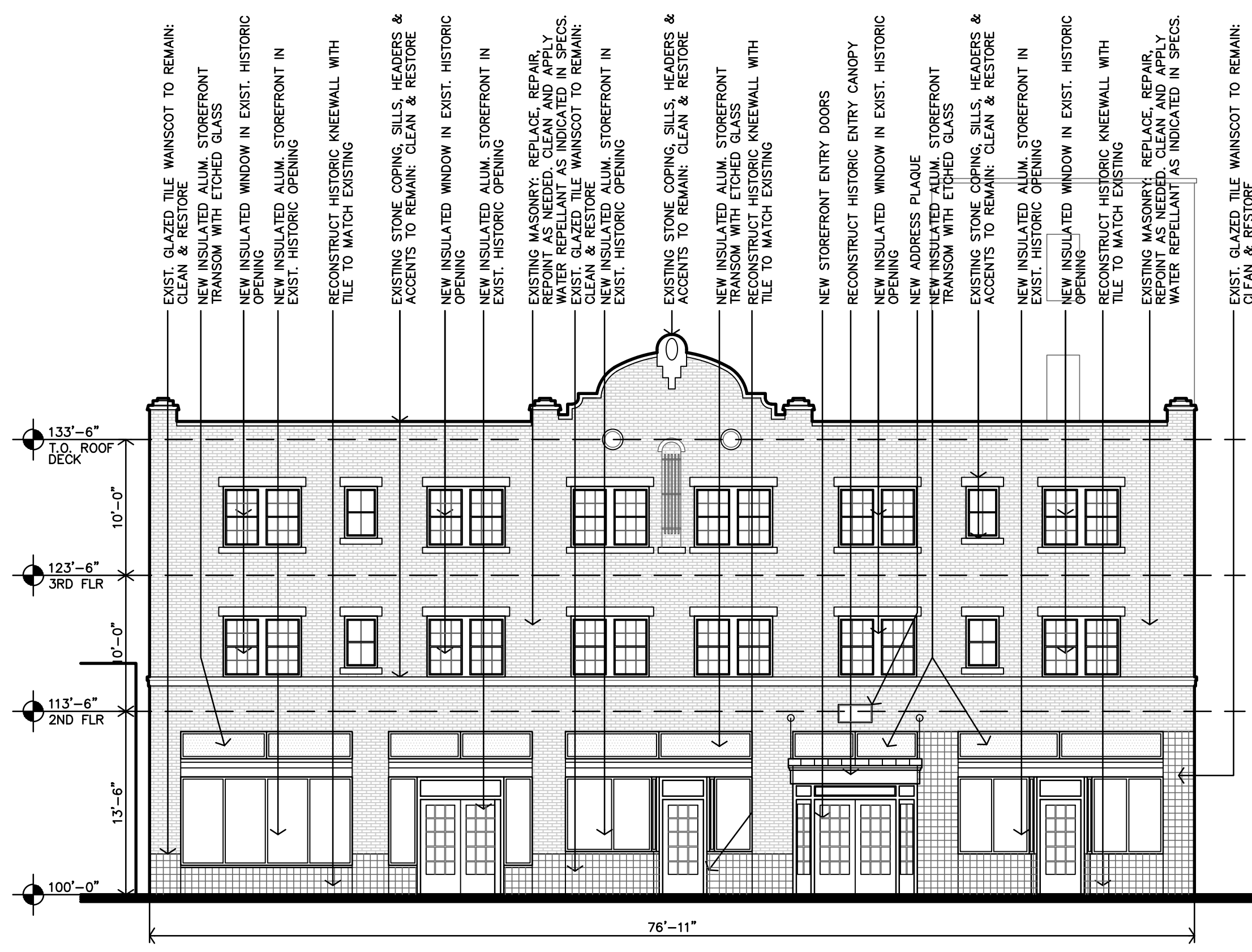
C PROPOSED NORTH ELEVATION
 1/8"=1'-0"



A PROPOSED EAST ELEVATION
 1/8"=1'-0"



C PROPOSED SOUTH ELEVATION
 1/8"=1'-0"



A PROPOSED WEST ELEVATION
 1/8"=1'-0"



REVISION: _____
 DATE: 1-16-2024
 JOB: 22-3281
 SHEET NO.:

A3.1

JGR
 Jones Gillam Renz
 730 N. Ninth
 Salina, KS 67401
 785.827.0386
 1881 Main Street, Suite 301
 Kansas City, MO 64108
 jgr@jgarchitects.com

ROOSEVELT LOFTS
 HISTORIC REHABILITATION - APARTMENTS
 SAN ANGELO, TEXAS

COPYRIGHTED



BP24-0000249
 REVIEWED for code
 compliance
 4/15/2024

GENERAL NOTES, REGARDING TUCKPOINTING
 Reference Specifications & Preservation Briefs

PROTECTION

Remove gutters and downspouts and associated hardware adjacent to masonry and prepare for replacement. Install new after tuckpointing is complete.

- Provide temporary rain drainage during work to direct water away from building.
- Protect windows, stairs, utilities, etc. during work.

REPOINTING MASONRY

Rake out and repoint joints to the following extent:
 All joints in areas indicated, Joints indicated to receive sealant-filled. Seal these joints according to Section 079200 "Joint Sealants."

Joints at locations of the following defects:

- Holes and missing mortar.
- Cracks that can be penetrated 1/4 inch (6 mm) or more by a knife blade 0.027 inch (0.7 mm) thick.
- Cracks 1/16 inch (1.6 mm) or more in width and of any depth.
- Hollow-sounding joints when tapped by metal object.
- Eroded surfaces 1/4 inch (6 mm) or more deep.
- Deterioration to point that mortar can be easily removed by hand, without tools.
- Joints filled with substances other than mortar.

Do not rake out and repoint joints where not indicated, required or instructed. Rake out joints as follows, according to procedures demonstrated in approved mockup:

- Remove mortar from joints to 2 times joint width, but not less than 3/4 inch (20 mm) or not less than that required to expose sound, unweathered mortar. Do not remove unsound mortar more than 2 inches (50 mm) deep; consult Architect or Engineer for direction.
- Remove mortar from masonry surfaces within raked-out joints to provide reveals with square backs and to expose masonry for contact with pointing mortar. Brush, vacuum, or flush joints to remove dirt and loose debris.
- Do not spall edges of masonry units or widen joints. Replace or patch damaged masonry units as directed by Architect.

Notify Architect of unforeseen detrimental conditions including voids in mortar joints, cracks, loose masonry units, rotted wood, rusted metal, and other deteriorated items.

POINTING WITH MORTAR

- Rinse joint surfaces with water to remove dust and mortar particles. Time rinsing application so, at time of pointing, joint surfaces are damp but free of standing water. If rinse water dries, dampen joint surfaces before pointing.
- Apply pointing mortar first to areas where existing mortar was removed to depths greater than surrounding areas. Apply in layers not greater than 3/8 inch (9 mm) until a uniform depth is formed. Fully compact each layer, and allow it to become thumbprint hard before applying next layer.
- After deep areas have been filled to same depth as remaining joints, point joints by placing mortar in layers not greater than 3/8 inch (9 mm). Fully compact each layer and allow to become thumbprint hard before applying next layer. Where existing masonry units have worn or rounded edges, slightly recess finished mortar surface below face of masonry to avoid widened joint faces. Take care not to spread mortar beyond joint edges onto exposed masonry surfaces or to feather edge the mortar.
- When mortar is thumbprint hard, tool joints to match original appearance of joints as demonstrated in approved mockup. Remove excess mortar from edge of joint by brushing.
- Cure mortar by maintaining in thoroughly damp condition for at least 72 consecutive hours, including weekends and holidays.

Hairline cracking within mortar or mortar separation at edge of a joint is unacceptable. Completely remove such mortar and repoint.

Where repointing work precedes cleaning of existing masonry, allow mortar to harden at least 30 days before beginning cleaning work.

FINAL CLEANING

After mortar has fully hardened, thoroughly clean exposed masonry surfaces of excess mortar and foreign matter; use wood scrapers, stiff-nylon or -fiber brushes, and clean water, applied by low pressure spray.

- Do not use metal scrapers or brushes.
- Do not use acidic or alkaline cleaners.

GENERAL NOTES, REGARDING CLEANING, ASSESSING MASONRY
 Reference Specifications & Preservation Briefs

IDENTIFY WHAT IS TO BE REMOVED

The general nature and source of dirt or soiling material on a building must be identified to remove it in the gentlest means possible—that is, in the most effective, yet least harmful, manner. Soot and smoke, for example, require a different cleaning agent to remove than oil stains or metallic stains. Other common cleaning problems include biological growth such as mold or mildew, and organic matter such as the tendrils left on masonry after removal of ivy.

CONSIDER THE PRACTICALITIES OF CLEANING OR PAINT REMOVAL

Some gypsum or sulfate crusts may have become integral with the stone and, if cleaning could result in removing some of the stone surface, it may be preferable not to clean. Even where unpainted masonry is appropriate, the retention of the paint may be more practical than removal in terms of long range preservation of the masonry. In some cases, however, removal of the paint may be desirable. For example, the old paint layers may have built up to such an extent that removal is necessary to ensure a sound surface to which the new paint will adhere.

STUDY THE MASONRY

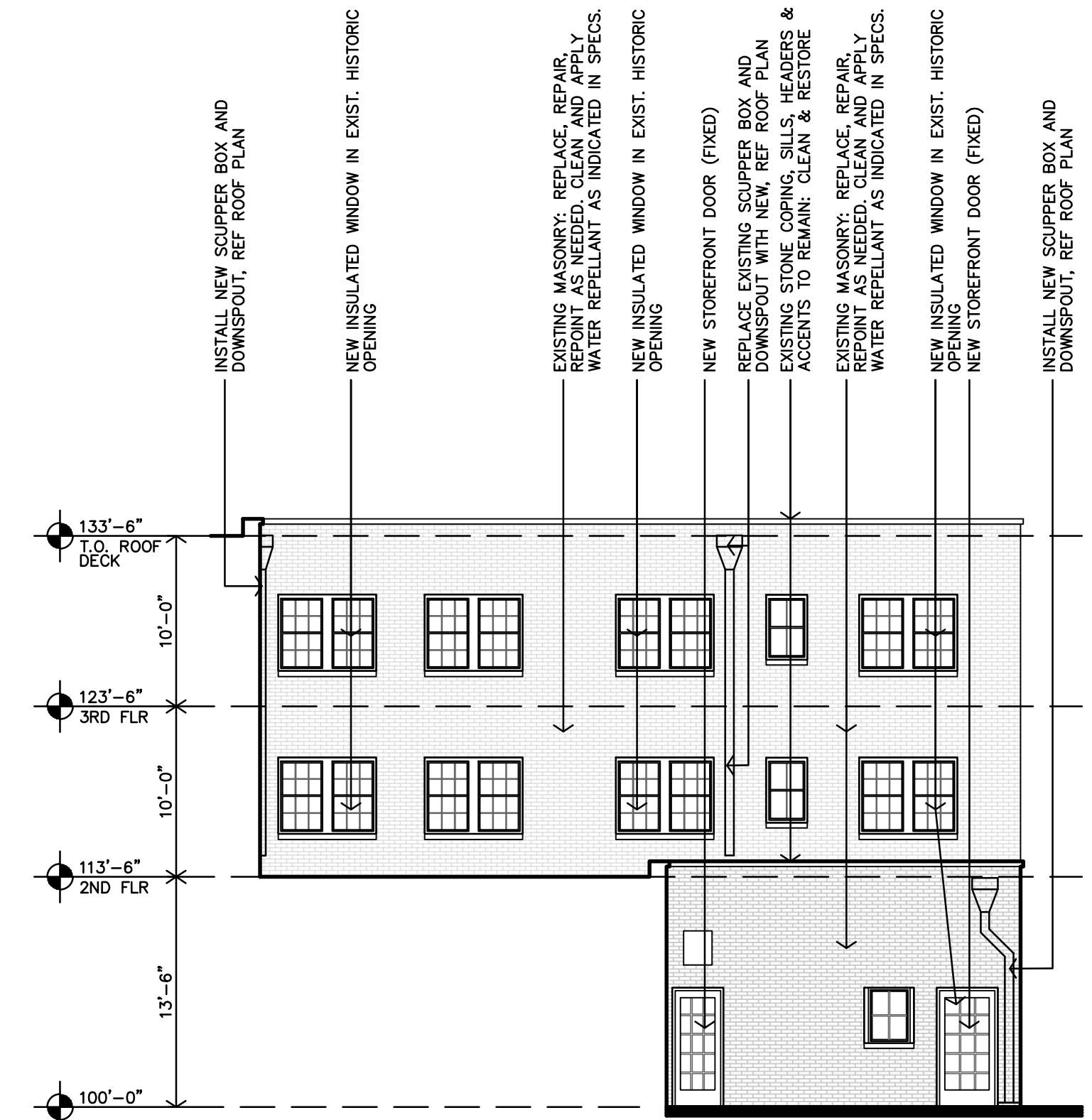
Although not always necessary, in some instances it can be beneficial to have the coating or paint type, color, and layering on the masonry researched before attempting its removal. Analysis of the nature of the soiling or of the paint to be removed from the masonry, as well as guidance on the appropriate cleaning method, may be provided by professional consultants, including architectural conservators, conservation scientists, and preservation architects. The State Historic Preservation Office (SHPO), local historic district commissions, architectural review boards, and preservation-oriented websites may also be able to supply useful information on masonry cleaning techniques.

IDENTIFY PRIOR TREATMENTS

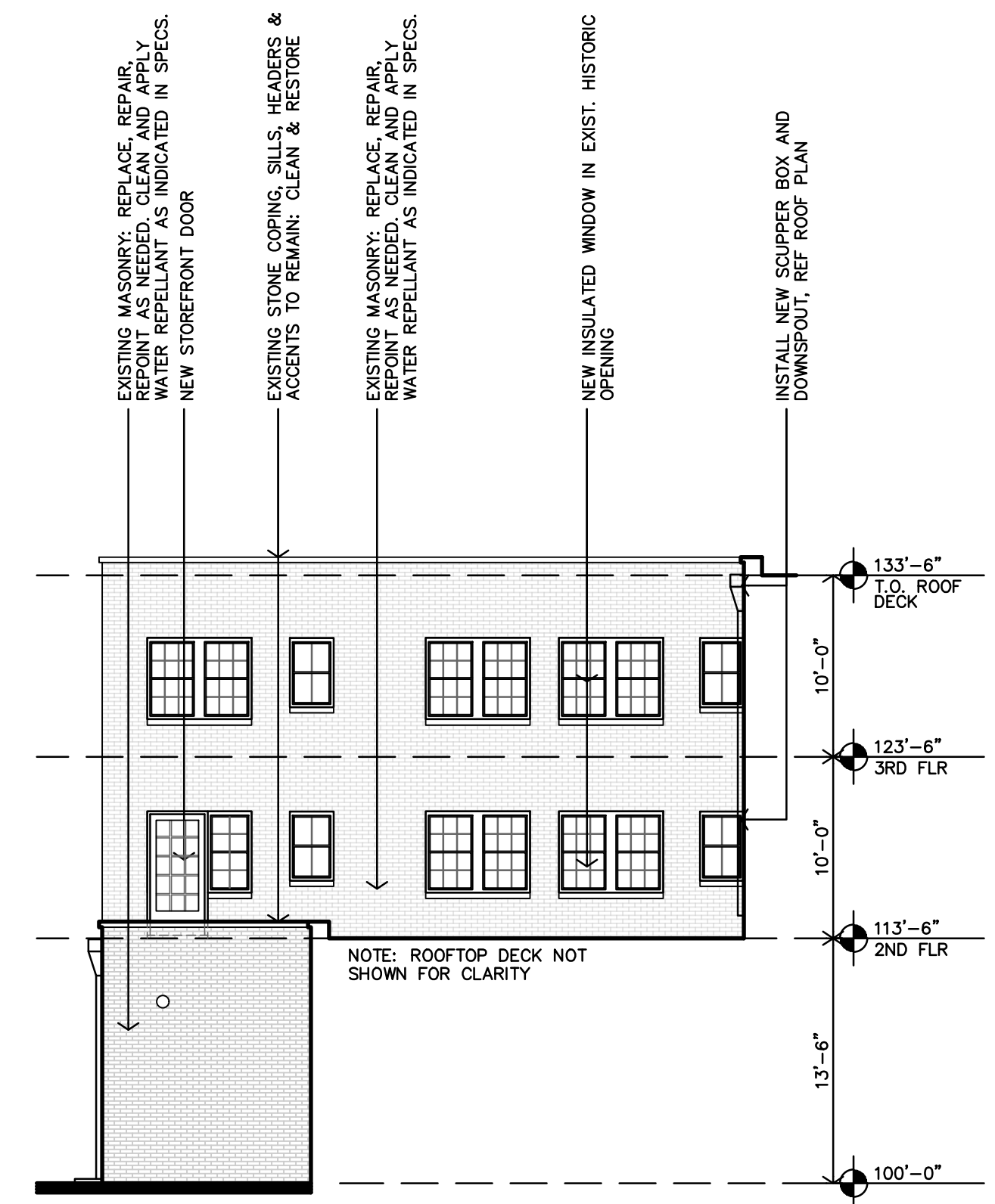
Previous treatments of the building and its surroundings should be researched and building maintenance records should be obtained, if available. Sometimes if streaked or spotty areas do not seem to get cleaner following an initial cleaning, closer inspection and analysis may be warranted. The discoloration may turn out not to be dirt but the remnant of a water-repellent coating applied long ago which has darkened the surface of the masonry over time. Successful removal may require testing several cleaning agents to find something that will dissolve and remove the coating. Complete removal may not always be possible. Repairs may have been stained to match a dirty building, and cleaning may make these differences apparent. De-icing salts used near the building that have dissolved can migrate into the masonry. Cleaning may draw the salts to the surface, where they will appear as efflorescence (a powdery, white substance), which may require a second treatment to be removed. Allowances for dealing with such unknown factors, any of which can be a potential problem, should be included when investigating cleaning methods and materials. Just as more than one kind of masonry on a historic building may necessitate multiple cleaning approaches, unknown conditions that are encountered may also require additional cleaning treatments.

CHOOSE THE APPROPRIATE CLEANER

The importance of testing cleaning methods and materials cannot be over emphasized. Applying the wrong cleaning agents to historic masonry can have disastrous results. Acidic cleaners can be extremely damaging to acid-sensitive stones, such as marble and limestone, resulting in etching and dissolution of these stones. Other kinds of masonry can also be damaged by incompatible cleaning agents, or even by cleaning agents that are usually compatible. There are also numerous kinds of sandstone, each with a considerably different geological composition. While an acid-based cleaner may be safely used on some sandstones, others are acid-sensitive and can be severely etched or dissolved by an acid cleaner. Some sandstones contain water-soluble minerals and can be eroded by water cleaning. And, even if the stone type is correctly identified, stones, as well as some bricks, may contain unexpected impurities, such as iron particles, that may react negatively with a particular cleaning agent and result in staining. Thorough understanding of the physical and chemical properties of the masonry will help avoid the inadvertent selection of damaging cleaning agents. Other building materials also may be affected by the cleaning process. Some chemicals, for example, may have a corrosive effect on paint or glass. The portions of building elements most vulnerable to deterioration may not be visible, such as embedded ends of iron window bars. Other totally unseen items, such as iron cramps or ties which hold the masonry to the structural frame, also may be subject to corrosion from the use of chemicals or even from plain water. The only way to prevent problems in these cases is to study the building construction in detail and evaluate proposed cleaning methods with this information in mind. However, due to the very likely possibility of encountering unknown factors, any cleaning project involving historic masonry should be viewed as unique to that particular building.



B PROPOSED EAST ELEVATION
 1/8"=1'-0"

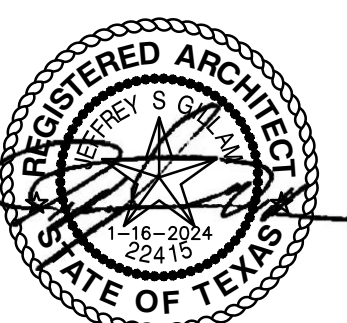


A PROPOSED WEST ELEVATION
 1/8"=1'-0"

JonesGillamRenz
 1881 Main Street, Suite 301
 Salina, KS 67401
 785.827.0386
 jgr@jgarchitects.com



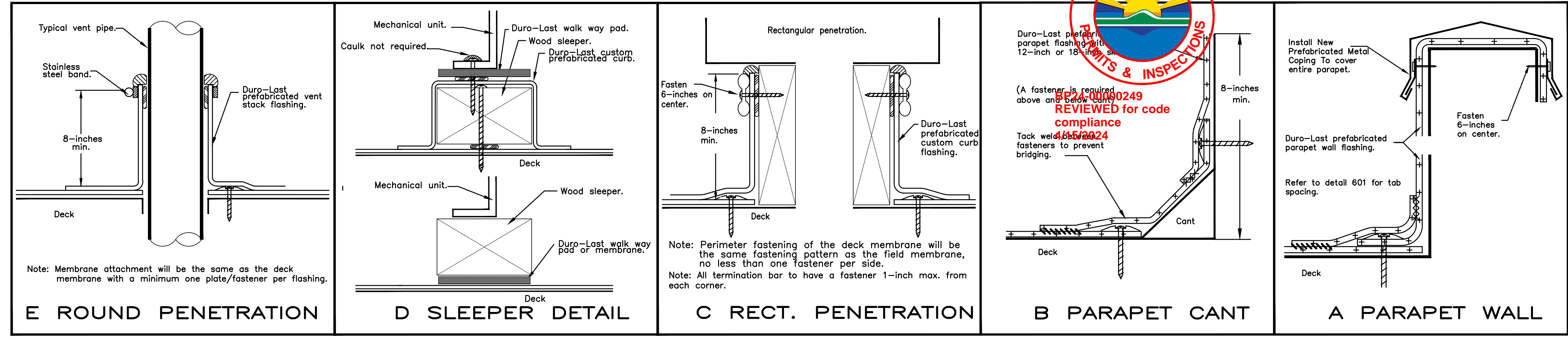
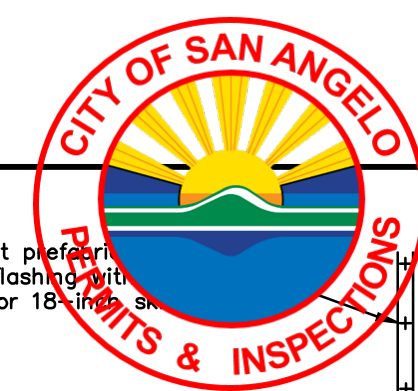
ROOSEVELT LOFTS
 HISTORIC REHABILITATION - APARTMENTS
 SAN ANGELO, TEXAS



REVISION:
 DATE: 1-16-2024
 JOB: 22-3281
 SHEET NO.:

A3.2

COPYRIGHTED



GENERAL NOTES

1. CONTRACTOR SHALL FIELD VERIFY ALL CONDITIONS PRIOR TO BIDDING. CONTACT ARCHITECT IMMEDIATELY W/ ANY DISCREPANCIES.
2. ROOFING INSTALLATION: MANUFACTURER'S DETAILS ARE GENERIC/GENERAL. CONTRACTOR SHALL COMPLY TO SPECIFICATIONS, MANUFACTURER'S DETAILS & RECOMMENDATIONS & THOSE RECOMMENDED BY NRCA'S "THE ROOFING & WATERPROOFING MANUAL."
3. CONTRACTOR MUST COMPLY W/ ALL STATE & LOCAL CODES & REGULATIONS.
4. CONTRACTOR TO REPLACE ALL EXISTING VENT BOOTS EXISTING VENTS & FLASHINGS TO REMAIN. PROTECT DURING CONSTRUCTION.
5. CAULK & SEAL WATER TIGHT ALL JOINTS & TRANSITIONS.
6. DIMENSIONS ON ROOF PLAN REFLECT DIMENSIONS PARALLEL WITH FLOOR PLANE. ACTUAL ROOF AREA IS LARGER DUE TO ROOF SLOPE.
7. ALL METAL MATERIALS (I.E. FLASHINGS, ETC...) SHALL BE .0217" (26 GA.) THICK PREFINISHED GALVANIZED OR ALUM. ZINC ALLOY. ALL FASTENERS MUST BE COMPATIBLE WITH ASSOCIATED METALS/MATERIALS. METALS MUST BE INSTALLED PER SMACNA'S "ARCHITECTURAL SHEET METAL MANUAL."
8. EXISTING ROOFING MUST BE REMOVED, INSPECT AND REPAIR DAMAGED DECKING PRIOR TO PROCEEDING WITH NEW ROOF ASSEMBLY.

LEGEND

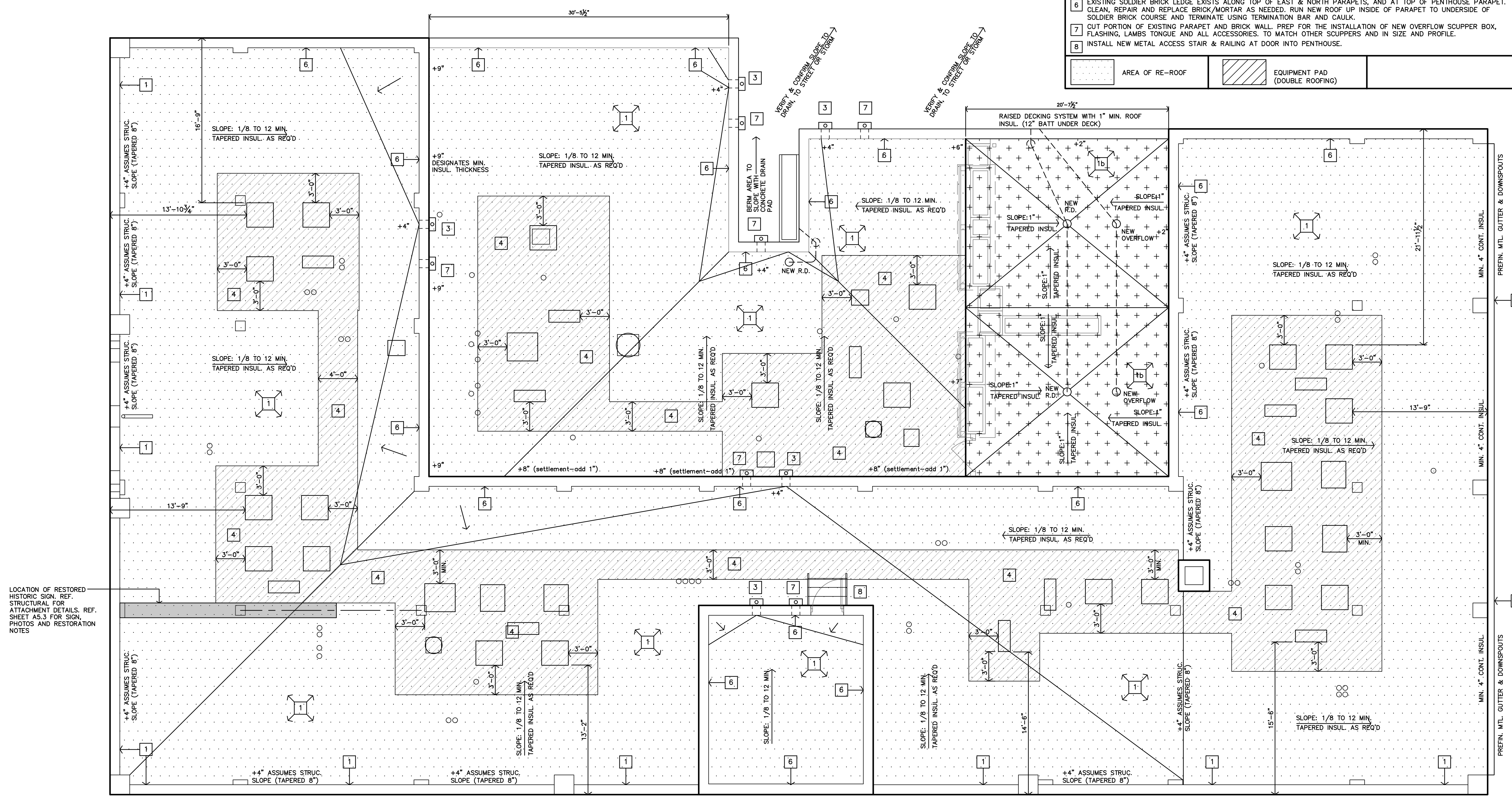
- 1 REMOVE EXISTING ROOFING ASSEMBLY, COVER BOARDS, INSULATION, RELATED ITEMS & MATERIALS. MECHANICALLY ATTACH NEW 60-MIL PVC ROOF MEMBRANE OVER 5/8" DENS DECK, 4.0" MIN. POLYSTYRENE RIGID INSULATION (MIN. R-25ci PER 2021 IECC), & TAPERED INSULATION WHERE REQ'D FOR 1/8" PER FT SLOPE, OVER VAPOR BARRIER, 1/2" COVER BOARD. PROVIDE ALL NEW TERMINATION BARS, FLASHINGS, SEALANT, & CAULKING. ENTIRE ROOF ASSEMBLY SHALL BE PROVIDED AND INSTALLED AS REQUIRED & RECOMMENDED BY MANUFACTURER FOR A 20-YEAR, FULL COVERAGE WARRANTY.
- 1b NEW 60-MIL PVC ROOF MEMBRANE OVER 1/2" COVER BD., 1.0" MIN. POLYSTYRENE TAPERED INSULATION, FOR 1/8" PER FT SLOPE, OVER VAPOR BARRIER, PROVIDE ALL NEW TERMINATION BARS, FLASHINGS, SEALANT, & CAULKING. ENTIRE ROOF ASSEMBLY SHALL BE PROVIDED AND INSTALLED AS REQUIRED & RECOMMENDED BY MANUFACTURER FOR A 20-YEAR, FULL COVERAGE WARRANTY.
- 2 EXISTING GUTTERS, SCUPPERS & DOWNSPOUTS TO BE REMOVED & REPLACED WITH NEW, SAME SIZE & SHAPE
- 3 REMOVE EXISTING SCUPPERS, DOWNSPOUTS, PANS, THRU WALL FLASHING, ETC. REPLACE WITH NEW METAL SCUPPER BOX, DOWNSPOUT AND FLASHING PER ROOF MANUFACTURER
- 4 AT ALL ROOF TOP EQUIPMENT INSTALL WALK OR TRAFFIC MEMBRANE AROUND.
- 5 EXISTING DECORATIVE STONE COPING EXISTS ALONG TOP OF WEST & SOUTH PARAPET. CLEAN, REPAIR AND REPLACE AS NEEDED. RUN NEW ROOF UP INSIDE OF PARAPET TO UNDERSIDE OF COPING AND TERMINATE USING TERMINATION BAR AND CAULK.
- 6 EXISTING SOLDIER BRICK LEDGE EXISTS ALONG TOP OF EAST & NORTH PARAPETS, AND AT TOP OF PENTHOUSE PARAPET. CLEAN, REPAIR AND REPLACE BRICK/MORTAR AS NEEDED. RUN NEW ROOF UP INSIDE OF PARAPET TO UNDERSIDE OF SOLDIER BRICK COURSE, AND TERMINATE USING TERMINATION BAR AND CAULK.
- 7 CUT PORTION OF EXISTING PARAPET AND BRICK WALL. PREP FOR THE INSTALLATION OF NEW OVERFLOW SCUPPER BOX, FLASHING, LAMBS TONGUE AND ALL ACCESSORIES. TO MATCH OTHER SCUPPERS AND IN SIZE AND PROFILE.
- 8 INSTALL NEW METAL ACCESS STAIR & RAILING AT DOOR INTO PENTHOUSE.

MANUFACTURER'S-ROOFING DETAILS, CONDITIONS VARY

1. TYPICAL MANUFACTURER'S DETAILS ACTUAL CONDITIONS MAY VARY. REFER AND COORDINATE W/ BUILDING DETAILS PROVIDING THE MANUFACTURER'S MOST STRINGENT REQUIREMENTS, RECOMMENDATIONS, NECESSARY TO ACHIEVE COMPLETE WATER TIGHT WARRANTY.
2. A WOOD NAILER IS REQUIRED WHEN INSULATION IS GREATER THAN 1" COORDINATE WITH MANUFACTURER'S REQUIREMENTS TOP OF WOOD ATTACH WOOD NAILERS SHALL BE SPACED NO GREATER THAN 18" O.C.

B MANUFACTURES DETAILS

NO SCALE

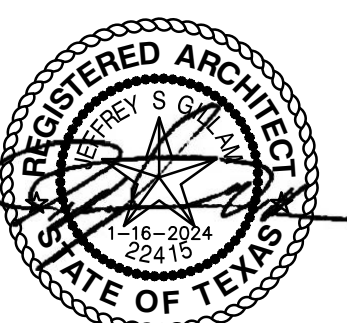


LOCATION OF RESTORED HISTORIC SIGN. REF. STRUCTURAL FOR ATTACHMENT DETAILS. REF. SHEET A5.3 FOR SIGN, PHOTOS AND RESTORATION NOTES

A ROOF PLAN
3/16"=1'-0"

JonesGillamRenz
1881 Main Street, Suite 301
Salina, KS 67401
785.827.0386
jgr@jgarchitects.com

ROOSEVELT LOFTS
HISTORIC REHABILITATION - APARTMENTS
SAN ANGELO, TEXAS



REVISION:
DATE: 1-16-2024
JOB: 22-3281
SHEET NO.:

A5.1

COPYRIGHTED



BP24-0000249
 REVIEWED for code
 compliance
 4/15/2024

Tile Tech Inc.
 PERIMETER EDGE RESTRAINT OPTIONS
 STEP-DOWN AND GREEN ROOF CONTAINMENT DETAILS

National Distribution Tel: 213-380-5560
 Toll Free: 888-380-5575 Fax: 213-380-5561

STEP-DOWN CONTAINMENT

GREEN ROOF CONTAINMENT

GENERAL NOTES: APPLY TO ALL OF THE ABOVE PRODUCTS
 1. INSTALLATION MUST BE COMPLETED IN ACCORDANCE WITH TILE TECH INC PRODUCT SPECIFICATIONS.
 2. DRAWING NOT TO SCALE.
 3. USE OF BUFFER PADS IS MANDATORY.
 4. CONTRACTOR'S NOTE: FOR PRODUCT AND COMPANY INFORMATION VISIT www.TILETECHPAVERS.com

8 PERIMETER EDGE RESTRAINT OPT. DETAIL NTS

Tile Tech Inc.
 1
 E
 LOW HEIGHT PEDESTAL APPLICATION
 ENLARGED PLAN VIEW & SECTION DETAILS

National Distribution Tel: 213-380-5560
 Toll Free: 888-380-5575 Fax: 213-380-5561

ENLARGED PLAN VIEW

LOW HEIGHT PEDESTAL APPLICATION - SECTION DETAILS

GENERAL NOTES: APPLY TO ALL OF THE ABOVE PRODUCTS
 1. INSTALLATION MUST BE COMPLETED IN ACCORDANCE WITH TILE TECH INC PRODUCT SPECIFICATIONS.
 2. DRAWING NOT TO SCALE.
 3. USE OF BUFFER PADS IS MANDATORY.
 4. CONTRACTOR'S NOTE: FOR PRODUCT AND COMPANY INFORMATION VISIT www.TILETECHPAVERS.com

6 LOW HEIGHT PEDESTAL APP. DETAIL NTS

Tile Tech Inc.
 1
 A
 THRESHOLD PEDESTAL APPLICATION
 ENLARGED PLAN VIEW & SECTION DETAILS

National Distribution Tel: 213-380-5560
 Toll Free: 888-380-5575 Fax: 213-380-5561

ENLARGED PLAN VIEW

THRESHOLD PEDESTAL APPLICATION - SECTION DETAILS

GENERAL NOTES: APPLY TO ALL OF THE ABOVE PRODUCTS
 1. INSTALLATION MUST BE COMPLETED IN ACCORDANCE WITH TILE TECH INC PRODUCT SPECIFICATIONS.
 2. DRAWING NOT TO SCALE.
 3. USE OF BUFFER PADS IS MANDATORY.
 4. CONTRACTOR'S NOTE: FOR PRODUCT AND COMPANY INFORMATION VISIT www.TILETECHPAVERS.com

4 THRESHOLD PEDESTAL APP. DETAIL NTS

Tile Tech Inc.
 1
 SAMPLE DECK LAYOUT
 OVERVIEW OF PEDESTAL PLACEMENT

National Distribution Tel: 213-380-5560
 Toll Free: 888-380-5575 Fax: 213-380-5561

SEE ENLARGED SECTION PLANS:

- DOOR THRESHOLD PEDESTAL PLACEMENT
- RADIUS PERIMETER PEDESTAL PLACEMENT
- CORNER PERIMETER PEDESTAL PLACEMENT
- DIAGONAL PERIMETER PEDESTAL PLACEMENT
- LOW THRESHOLD PEDESTAL PLACEMENT
- ROOF DRAIN PEDESTAL PLACEMENT

GENERAL NOTES: APPLY TO ALL OF THE ABOVE PRODUCTS
 1. INSTALLATION MUST BE COMPLETED IN ACCORDANCE WITH TILE TECH INC PRODUCT SPECIFICATIONS.
 2. DRAWING NOT TO SCALE.
 3. USE OF BUFFER PADS IS MANDATORY.
 4. CONTRACTOR'S NOTE: FOR PRODUCT AND COMPANY INFORMATION VISIT www.TILETECHPAVERS.com

2 SAMPLE DECK LAYOUT DETAIL NTS

Tile Tech Inc.
 2
 STEP-DOWN PEDESTAL APPLICATION
 STEP-DOWN PEDESTAL APPLICATION SECTION DETAILS

National Distribution Tel: 213-380-5560
 Toll Free: 888-380-5575 Fax: 213-380-5561

STEP-DOWN PEDESTAL APPLICATION - SECTION DETAILS

GENERAL NOTES: APPLY TO ALL OF THE ABOVE PRODUCTS
 1. INSTALLATION MUST BE COMPLETED IN ACCORDANCE WITH TILE TECH INC PRODUCT SPECIFICATIONS.
 2. DRAWING NOT TO SCALE.
 3. USE OF BUFFER PADS IS MANDATORY.
 4. CONTRACTOR'S NOTE: FOR PRODUCT AND COMPANY INFORMATION VISIT www.TILETECHPAVERS.com

9 STEP-DOWN PEDESTAL APP. DETAIL NTS

Tile Tech Inc.
 1
 F
 DRAIN PEDESTAL APPLICATION
 ENLARGED PLAN VIEW & SECTION DETAILS

National Distribution Tel: 213-380-5560
 Toll Free: 888-380-5575 Fax: 213-380-5561

ENLARGED PLAN VIEW

DRAIN PEDESTAL APPLICATION - SECTION DETAILS

GENERAL NOTES: APPLY TO ALL OF THE ABOVE PRODUCTS
 1. INSTALLATION MUST BE COMPLETED IN ACCORDANCE WITH TILE TECH INC PRODUCT SPECIFICATIONS.
 2. DRAWING NOT TO SCALE.
 3. USE OF BUFFER PADS IS MANDATORY.
 4. CONTRACTOR'S NOTE: FOR PRODUCT AND COMPANY INFORMATION VISIT www.TILETECHPAVERS.com

7 DRAIN PEDESTAL APP. DETAIL NTS

Tile Tech Inc.
 1
 C
 CORNER PEDESTAL APPLICATION
 ENLARGED PLAN VIEW & SECTION DETAILS

National Distribution Tel: 213-380-5560
 Toll Free: 888-380-5575 Fax: 213-380-5561

ENLARGED PLAN VIEW

CORNER PEDESTAL APPLICATION - SECTION DETAILS

GENERAL NOTES: APPLY TO ALL OF THE ABOVE PRODUCTS
 1. INSTALLATION MUST BE COMPLETED IN ACCORDANCE WITH TILE TECH INC PRODUCT SPECIFICATIONS.
 2. DRAWING NOT TO SCALE.
 3. USE OF BUFFER PADS IS MANDATORY.
 4. CONTRACTOR'S NOTE: FOR PRODUCT AND COMPANY INFORMATION VISIT www.TILETECHPAVERS.com

5 CORNER PEDESTAL APP. DETAIL NTS

Tile Tech Inc.
 2
 SAMPLE INITIAL INSTALLATION
 USING "T" SHAPED PATTERN

National Distribution Tel: 213-380-5560
 Toll Free: 888-380-5575 Fax: 213-380-5561

SAMPLE INITIAL INSTALLATION - SECTION DETAILS

DETERMINE CAVITY HEIGHT AT ALL THRESHOLDS, DRAINS AND HIGH POINTS. DEDUCT THE THICKNESS OF THE PAVERS FROM THE MEASURED DISTANCE BETWEEN THE TOP OF THE MEMBRANE AND THE TOP OF THE PAVERS TO DETERMINE THE PEDESTAL HEIGHT NEEDED FOR EACH LOCATION. USE A LASER LEVEL TO MARK THE TOP OF PEDESTAL ELEVATION AROUND THE DECK. PLAN PAVES & PEDESTAL LAYOUT PATTERN BEFORE STARTING. BY MARKING GUIDELINES ON THE ROOF IF NEEDED. USING THE GUIDELINES INSTALL A "T" SHAPED PORTION OF THE NEW DECK STARTING FROM THE THRESHOLD OR HIGH POINT. PAVERS ON BOTH ROWS OF THE "T" SHOULD BE ADJUSTED TO THE CORRECT HEIGHT AND LEVELLED BEFORE PROCEEDING. INSTALLATION ON ALL SIDES OF THE "T" CAN THEN PROCEED AT THE SAME TIME.

GENERAL NOTES: APPLY TO ALL OF THE ABOVE PRODUCTS
 1. INSTALLATION MUST BE COMPLETED IN ACCORDANCE WITH TILE TECH INC PRODUCT SPECIFICATIONS.
 2. DRAWING NOT TO SCALE.
 3. USE OF BUFFER PADS IS MANDATORY.
 4. CONTRACTOR'S NOTE: FOR PRODUCT AND COMPANY INFORMATION VISIT www.TILETECHPAVERS.com

3 SAMPLE INITIAL INST. DETAIL NTS

Tile Tech Inc.
 BASE SLOPE PLATE
 BASE SLOPE ADJUSTMENT FROM 0" TO 1" (0-8%) PER FOOT SLOPE.

National Distribution Tel: 213-380-5560
 Toll Free: 888-380-5575 Fax: 213-380-5561

BASE SLOPE PLATE APPLICATION - SECTION DETAILS

FOR BASE LEVELING, BASE SLOPE PLATES (BSP) CAN BE STACKED UNDER UNI-BASE AND EACH PLATE COMPENSATES FOR 1/4" PER FOOT (2%) SLOPE AND ADDS 3/8" TO THE OVERALL HEIGHT OF PEDESTAL. A MAXIMUM OF FOUR PLATES MAY BE STACKED BELOW A PEDESTAL IN ORDER TO COMPENSATE FOR UP TO 1" PER FOOT (8%) SLOPE. ALWAYS USE A BUFFER PAD UNDER COMPLETE PEDESTAL ASSEMBLY.

GENERAL NOTES: APPLY TO ALL OF THE ABOVE PRODUCTS
 1. INSTALLATION MUST BE COMPLETED IN ACCORDANCE WITH TILE TECH INC PRODUCT SPECIFICATIONS.
 2. DRAWING NOT TO SCALE.
 3. USE OF BUFFER PADS IS MANDATORY.
 4. CONTRACTOR'S NOTE: FOR PRODUCT AND COMPANY INFORMATION VISIT www.TILETECHPAVERS.com

1 BASE SLOPE PLATE DETAIL NTS

JGR
 JonesGillamRenz
 1881 Main Street, Suite 307
 Kansas City, MO 64108
 jgr@jgarchitects.com

ROOSEVELT LOFTS
 HISTORIC REHABILITATION - APARTMENTS
 SAN ANGELO, TEXAS



REVISION:
 DATE: 1-16-2024
 JOB: 22-3281
 SHEET NO.:

A5.2

COPYRIGHTED



PHOTO EXISTING SIGN CONDITION
N.T.S.



PHOTO EXISTING SIGN CONDITION
N.T.S.



PHOTO EXISTING SIGN CONDITION
N.T.S.



PHOTO EXISTING SIGN CONDITION
N.T.S.



PHOTO EXISTING SIGN CONDITION
N.T.S.



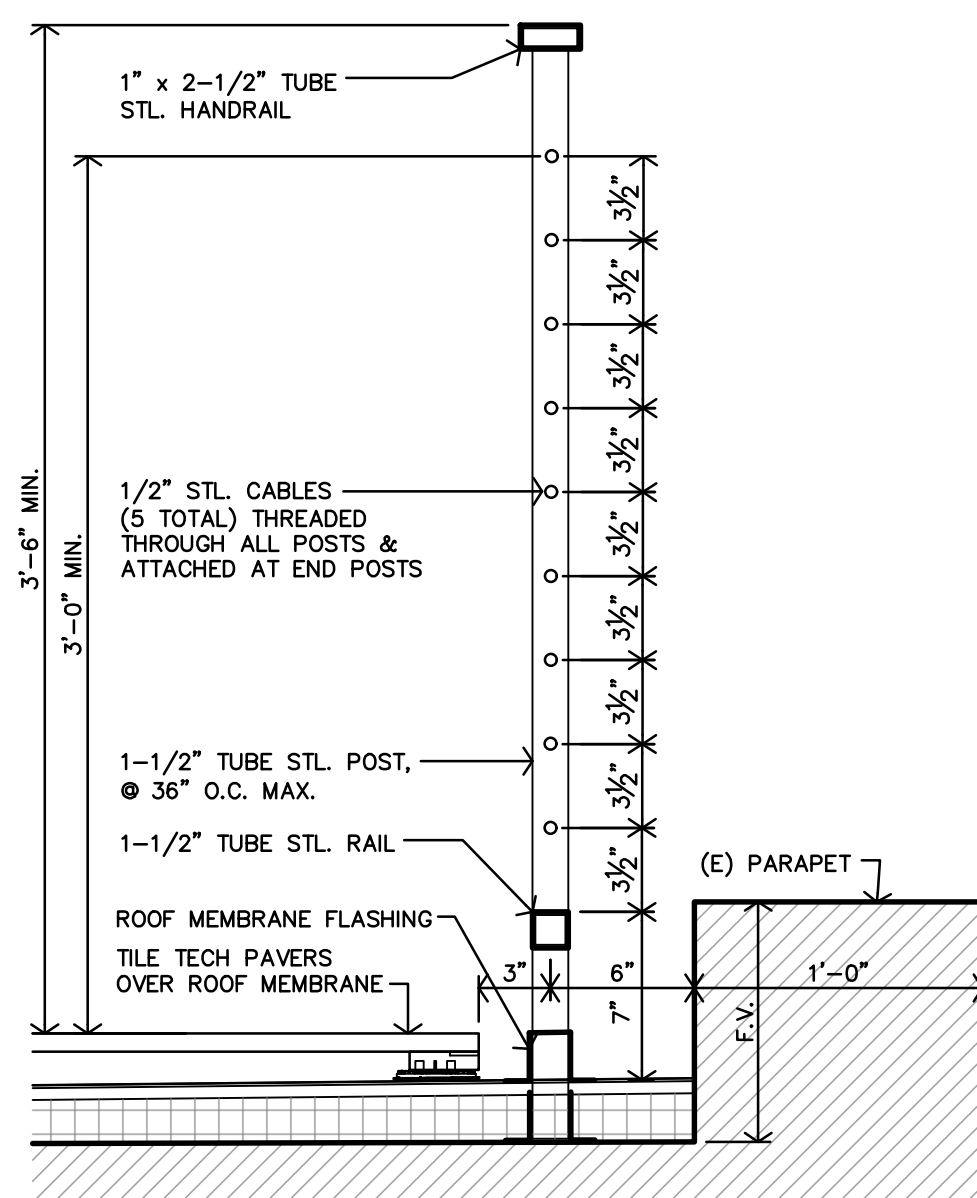
PHOTO EXISTING SIGN CONDITION
N.T.S.



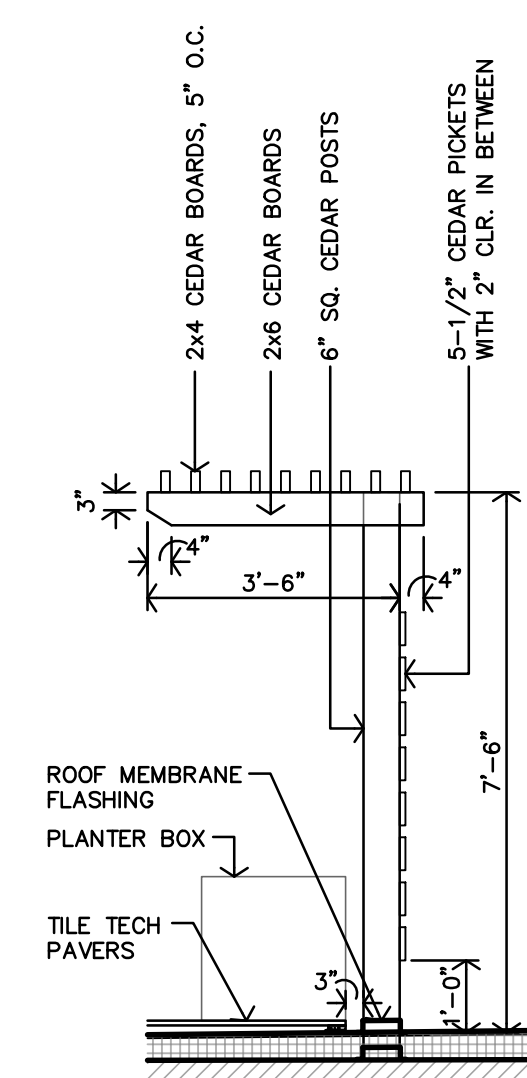
HISTORIC PHOTO ORIGINAL SIGN LOCATION
N.T.S.

HISTORIC ROOFTOP SIGN NOTES

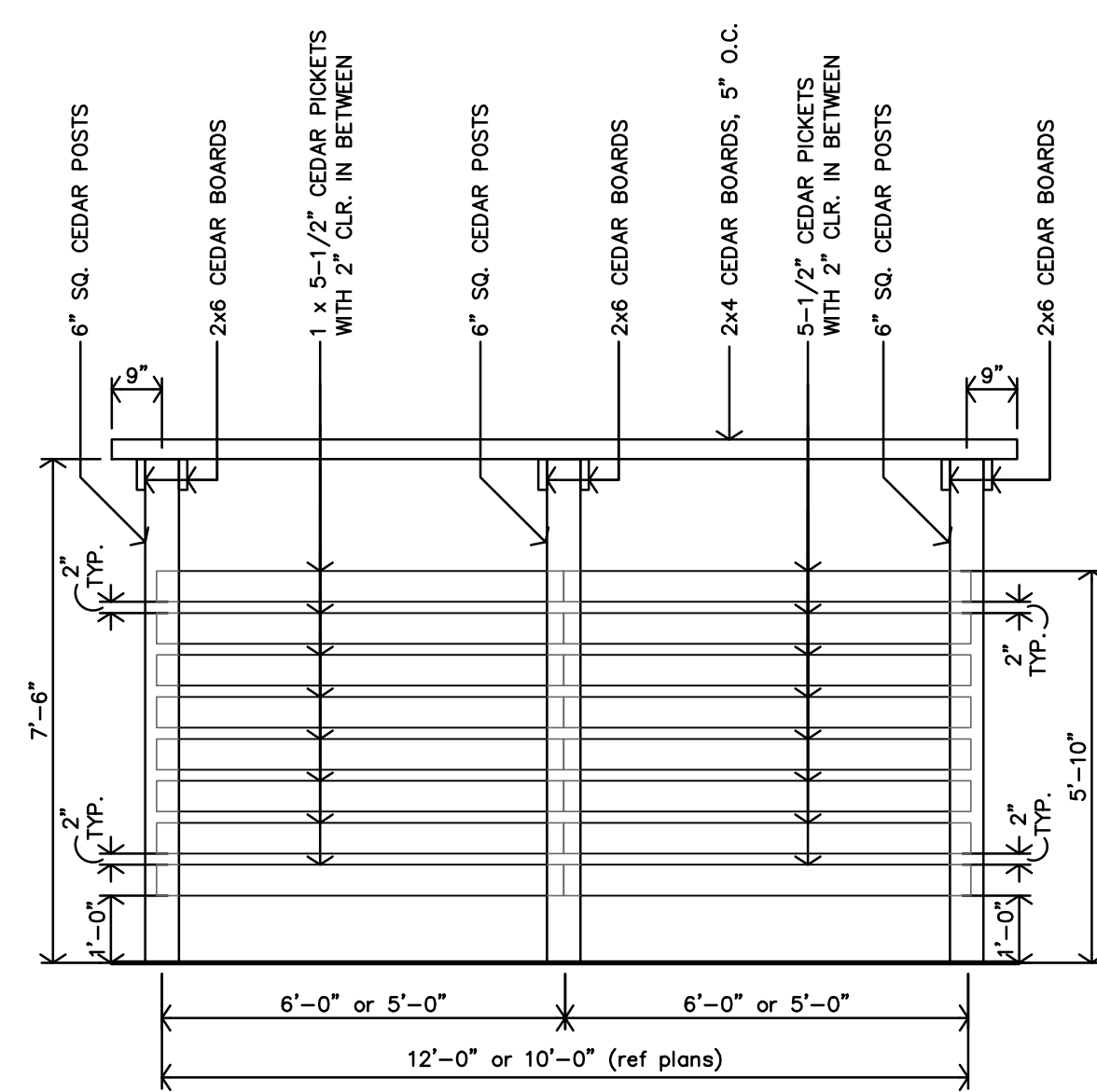
1. CONTRACTOR SHALL FIELD VERIFY ALL CONDITIONS PRIOR TO BIDDING. CONTACT ARCHITECT IMMEDIATELY W/ ANY DISCREPANCIES.
2. SIGN IS BEING STORED AT H&S RENTAL & SERVICES (ph: 325-245-7517), 818 LAKE VIEW HEROS DRIVE, SAN ANGELO, TEXAS, 76903.
3. SIGN IS APPROXIMATELY 16'-0" TALL BY 22'-0" WIDE AND MOST CONSTRUCTION CONSISTS OF ANGLE IRON AND SHEET METAL. CONTRACTOR TO FIELD VERIFY MEASUREMENTS, CONSTRUCTION AND CONDITION.
4. SIGN IS TO BE RELOCATED BACK TO SITE, RESTORED AND REINSTALLED ON TOP OF ROOF AS SHOWN ON SHEET A5.1.
5. SIGN COMPONENTS, ACCESSORIES, STRUCTURAL ELEMENTS, ETC. ARE TO BE REPLACED, REPAIRED AND RESTORED AS NECESSARY FOR STRUCTURAL STABILITY AND COMPLETE SIGN RESTORATION.
6. REMOVE ANY AND ALL EXISTING LIGHTING AND NEON COMPONENTS REMAINING ON THE SIGN.
7. REMOVE 'HOTEL' 3-D BOX LETTERS. STRUCTURAL STRUTS AND SUPPORTS TO REMAIN AND PREPARED FOR THE INSTALLATION OF NEW LETTERS.
8. INSTALL NEW 'LOFTS' STEEL PLATE LETTERS IN PLACE OF THE 'HOTEL' LETTERS. SIZE AND FONT OF LETTERS TO BE SIMILAR TO EXISTING.
9. ATTACHMENT DETAILS CAN BE FOUND ON STRUCTURAL DRAWINGS.
10. ENTIRE SIGN TO BE REPAINTED. PAINT COLORS ARE TO BE SIMILAR TO EXISTING.



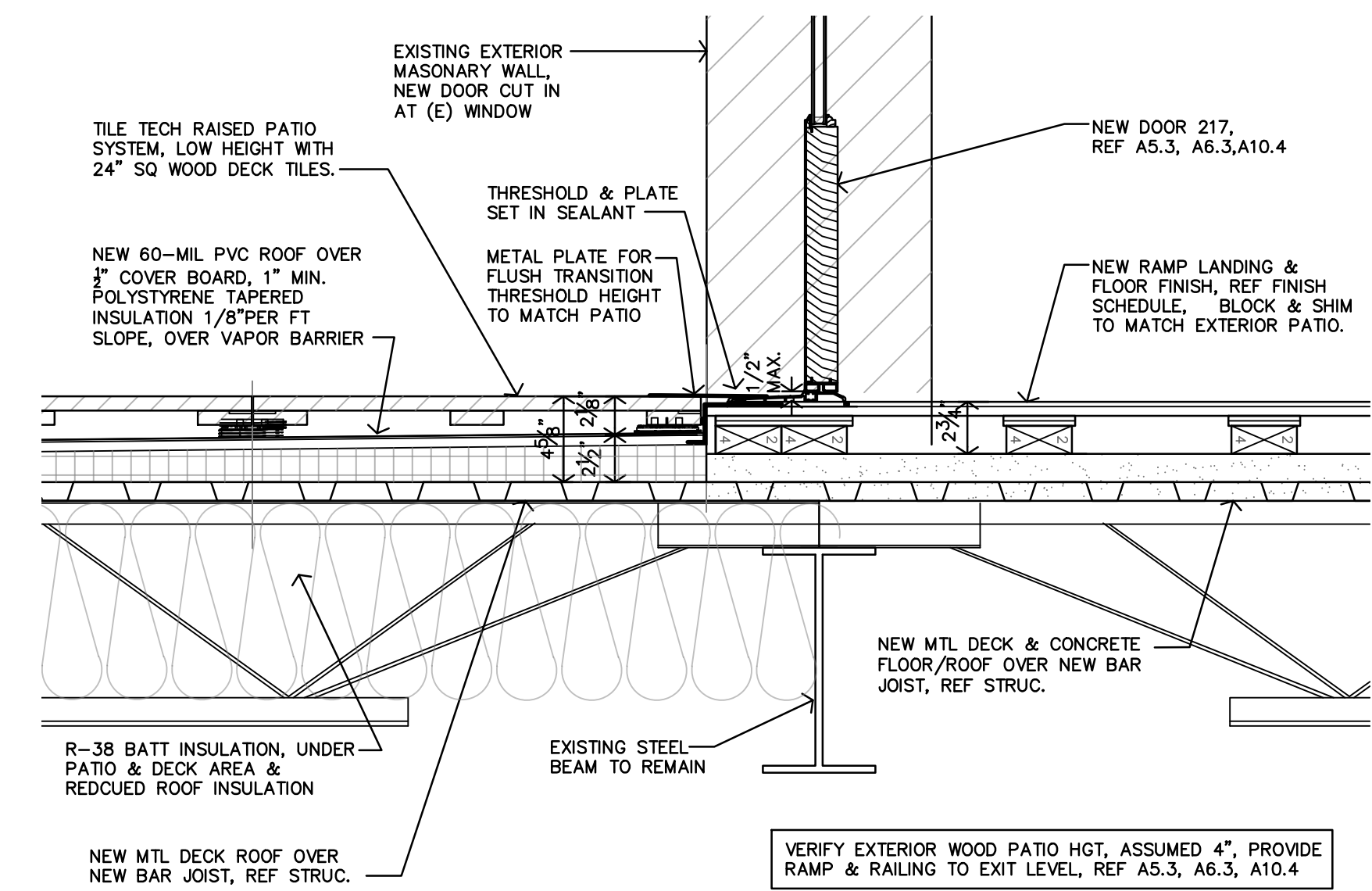
D ROOF TOP GUARDRAIL SECTION
3/8" = 1'-0"



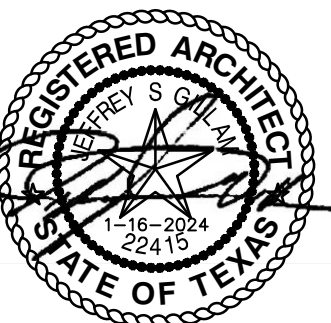
C ROOF TOP TRELLIS DETAIL
3/8" = 1'-0"



B ROOF TOP TRELLIS DETAIL
3/8" = 1'-0"



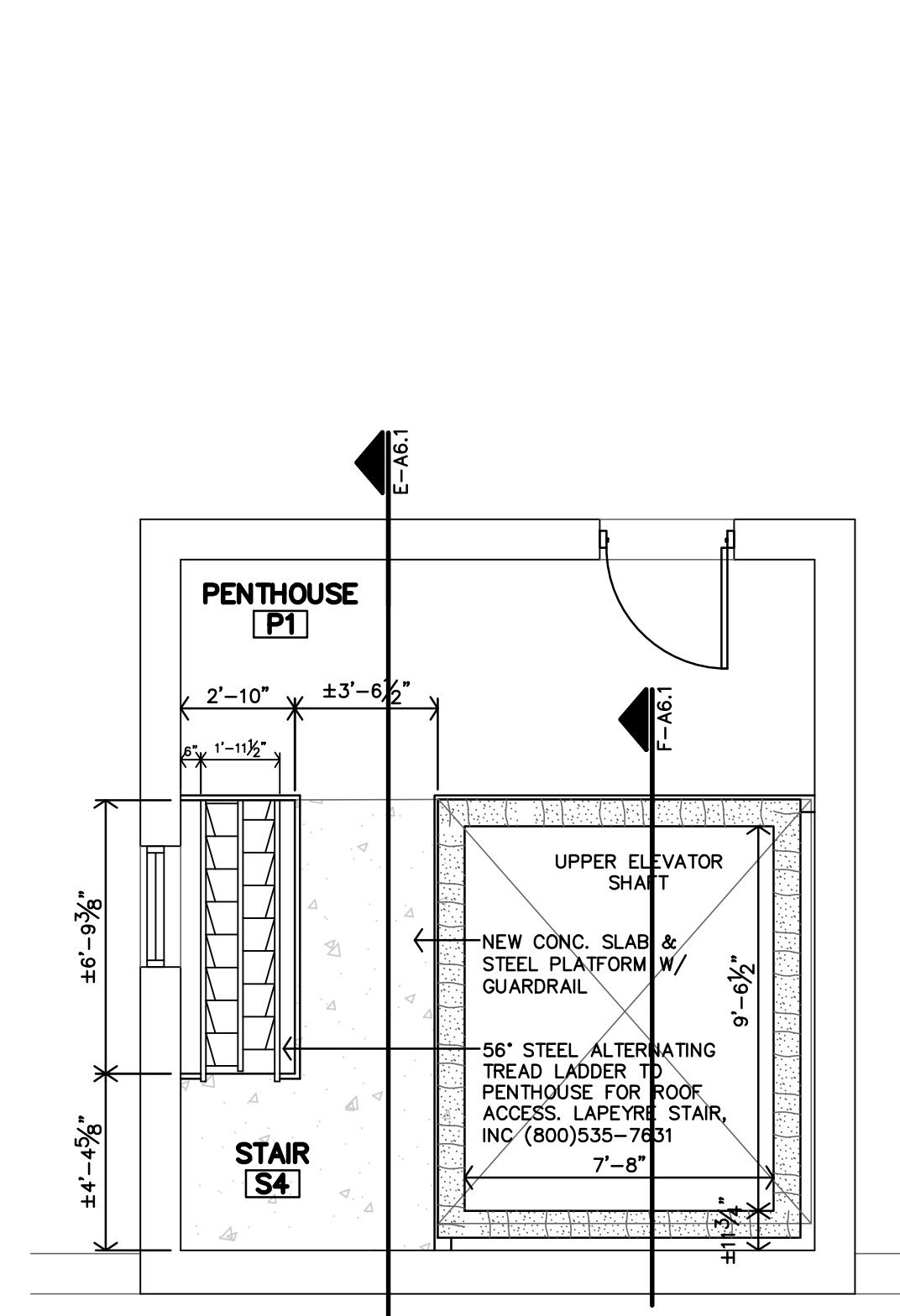
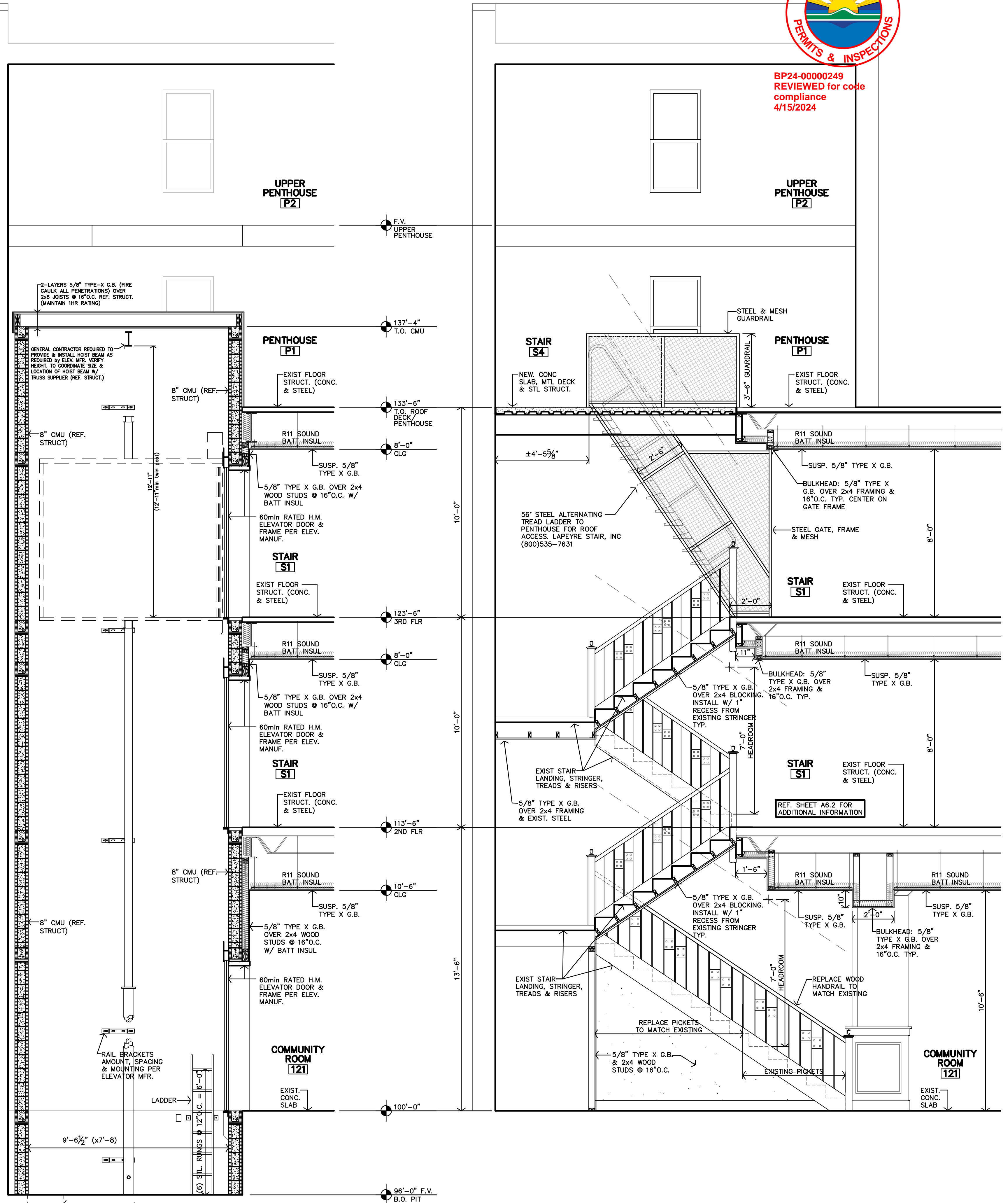
A AT DOOR 217 ROOF PATIO & TILE SYSTEM
1 1/2" = 1'-0"



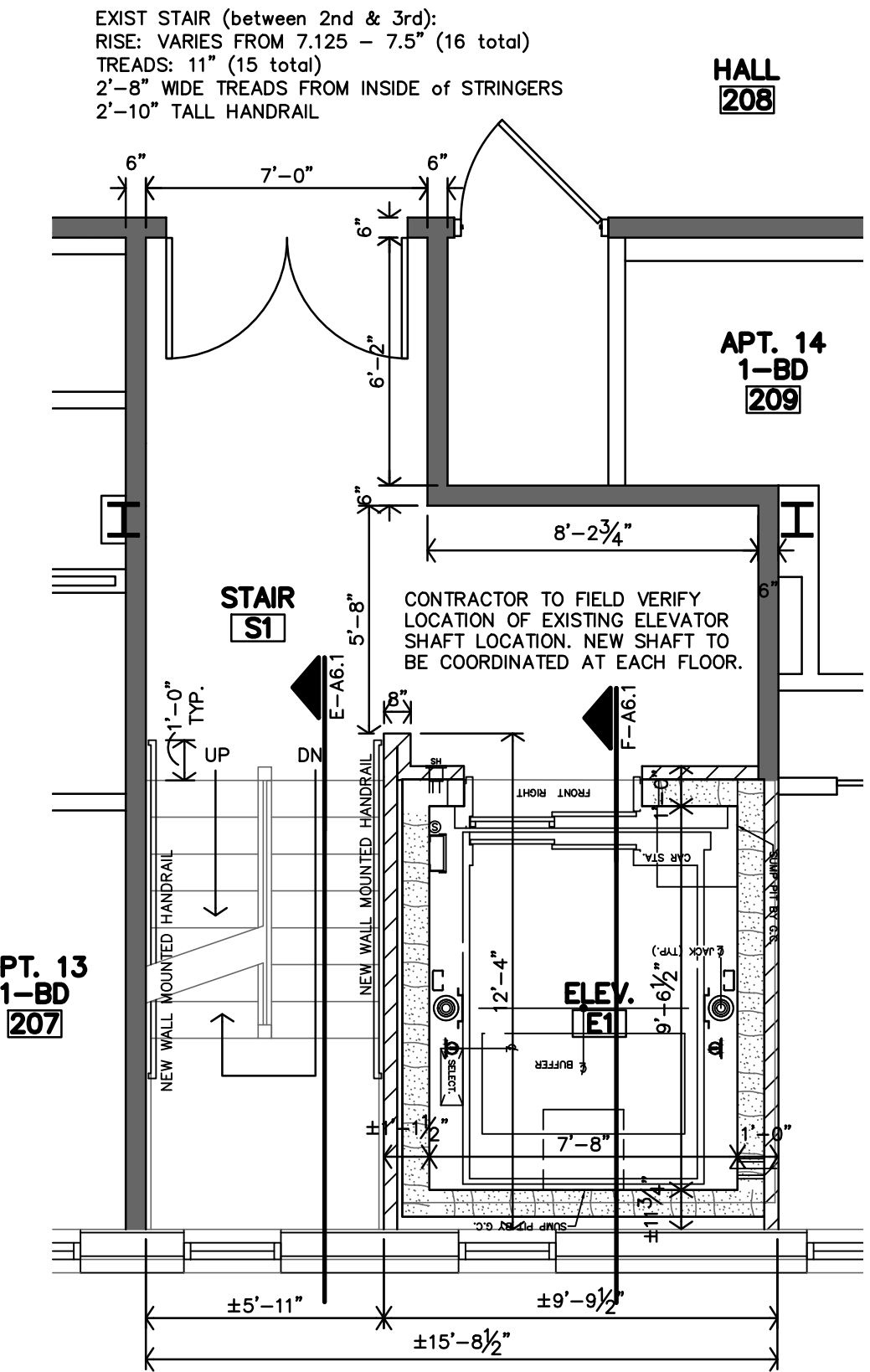
REVISION:
DATE: 1-16-2024
JOB: 22-3281
SHEET NO.:



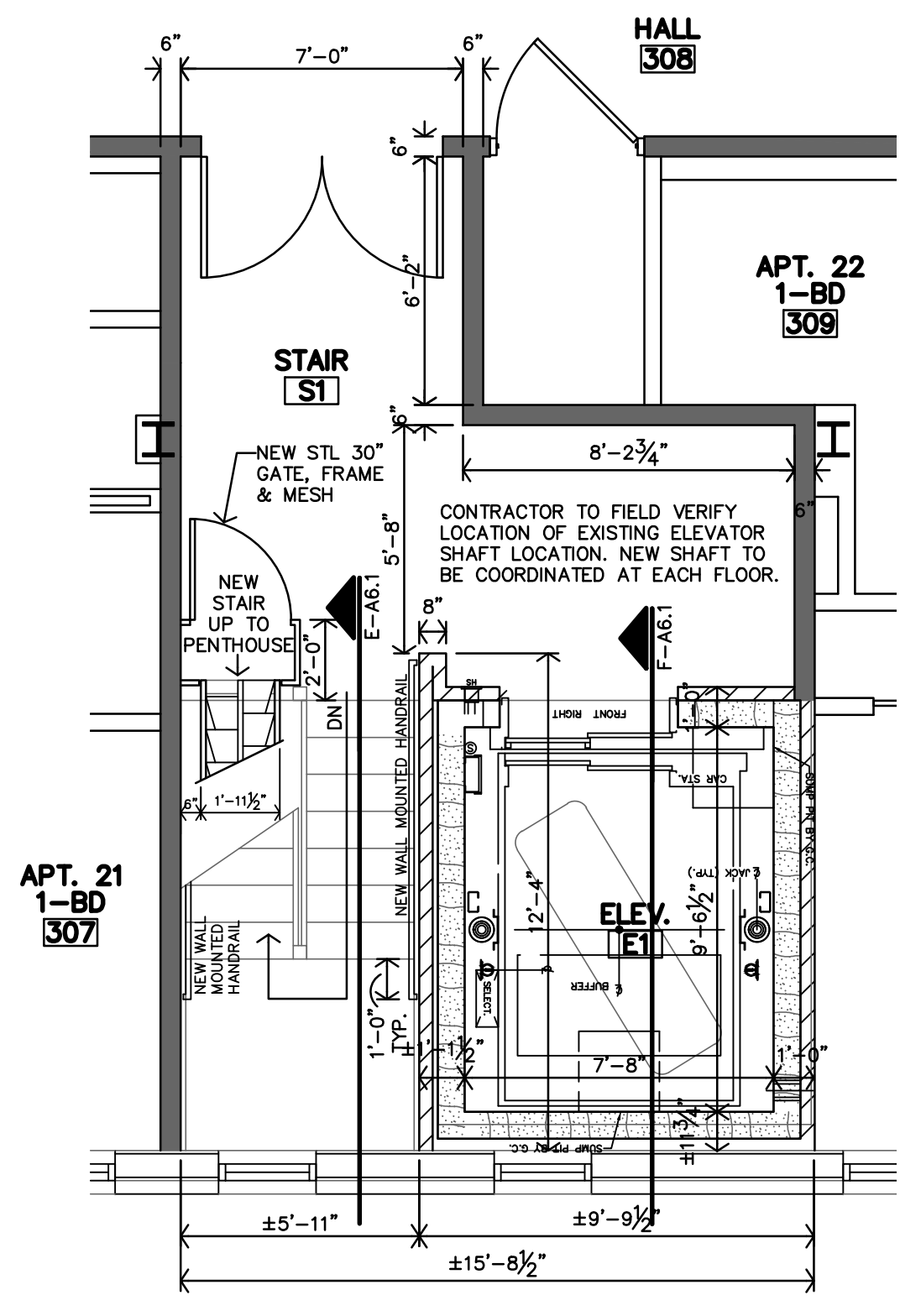
BP24-0000249
REVIEWED for code compliance
4/15/2024



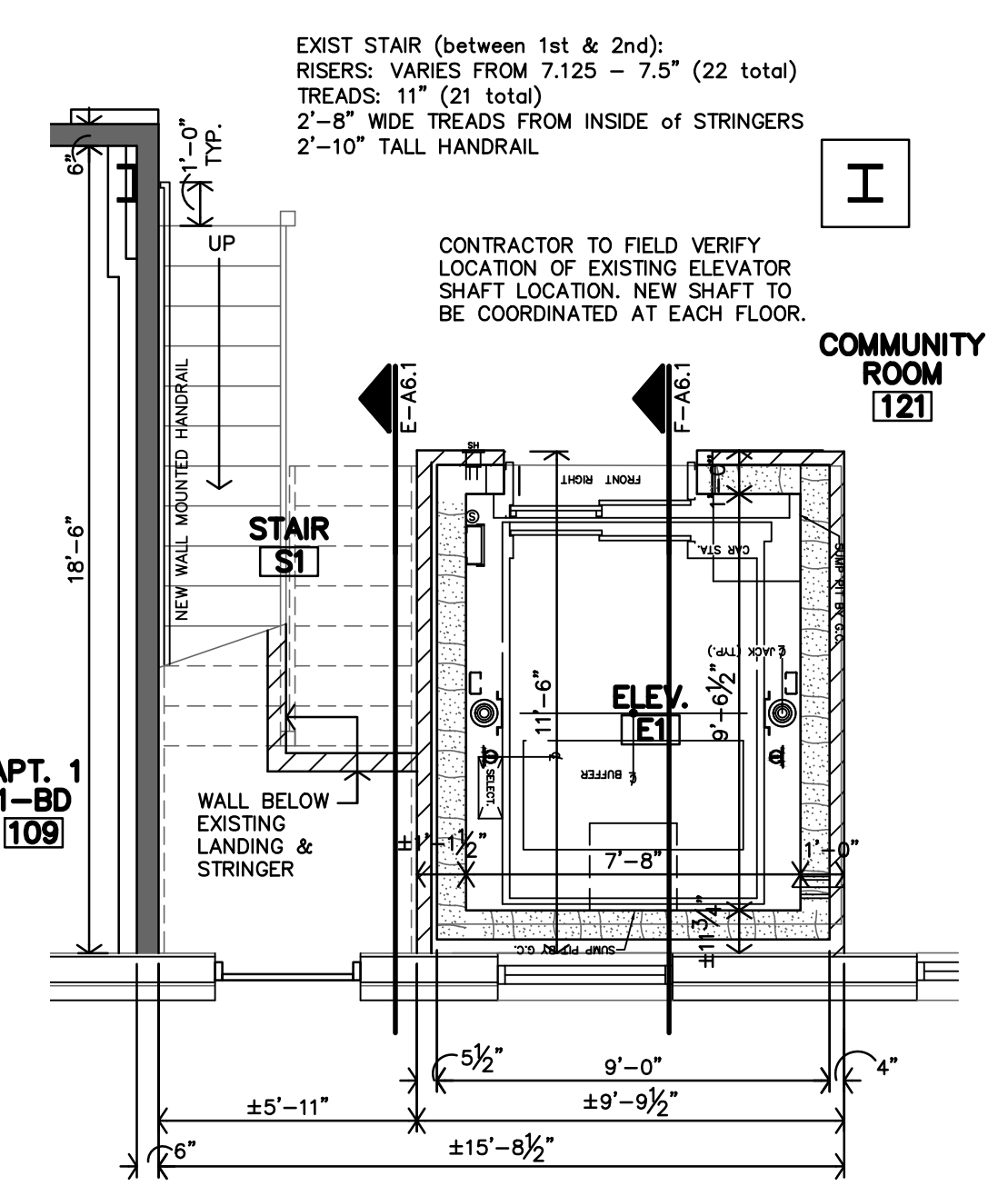
D STAIR S4 & ELEVATOR E1 ENLARGED PENTHOUSE PLAN
1/4"=1'-0"



B STAIR S1 & ELEVATOR E1 ENLARGED 2ND FLR. PLAN
1/4"=1'-0"



C STAIR S1/S4 & ELEVATOR E1 ENLARGED 3RD FLR. PLAN
1/4"=1'-0"



A STAIR S1 & ELEVATOR E1 ENLARGED FIRST FLR. PLAN
1/4"=1'-0"

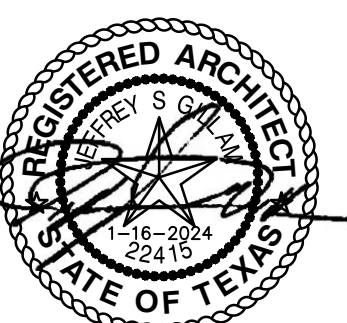
F ELEVATOR SECTION
3/8"=1'-0"

E STAIR S1 SECTION
3/8"=1'-0"

JonesGillamRenz
1881 Main Street, Suite 301
Salina, KS 67401
785.827.0386
jgr@jgarchitects.com



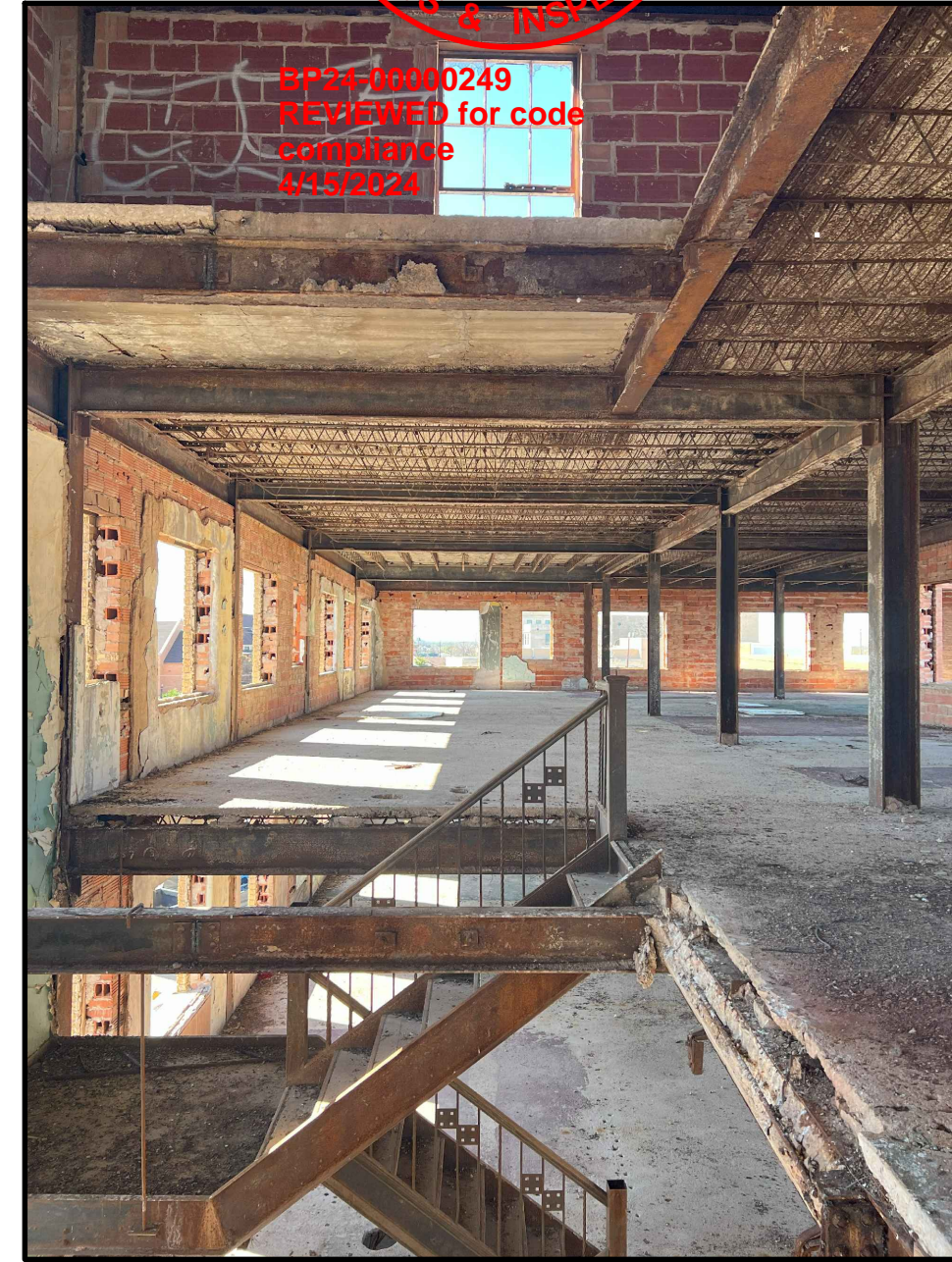
ROOSEVELT LOFTS
HISTORIC REHABILITATION - APARTMENTS
SAN ANGELO, TEXAS



REVISION:
DATE: 1-16-2024
JOB: 22-3281
SHEET NO.:

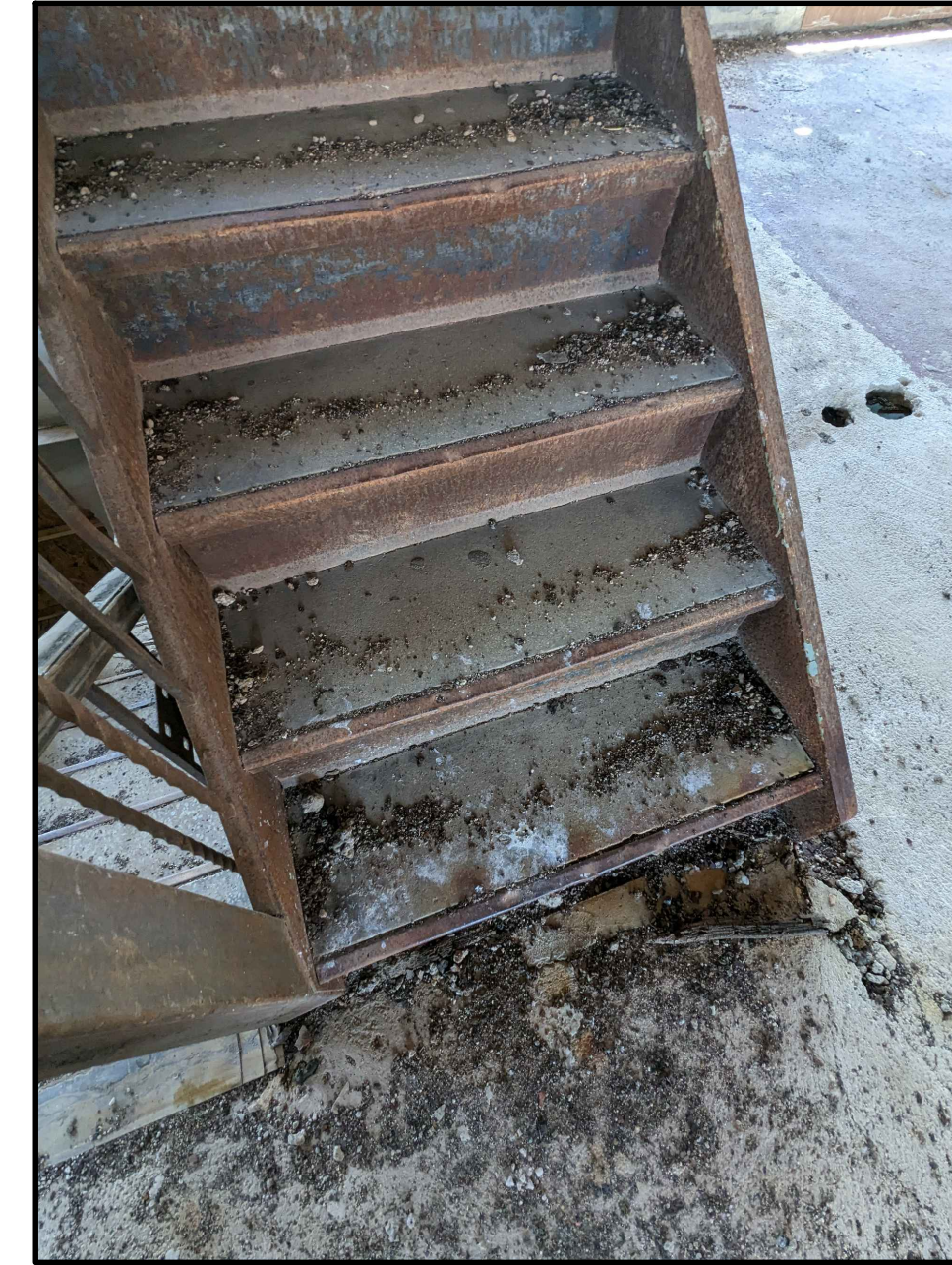
A6.1

COPYRIGHTED



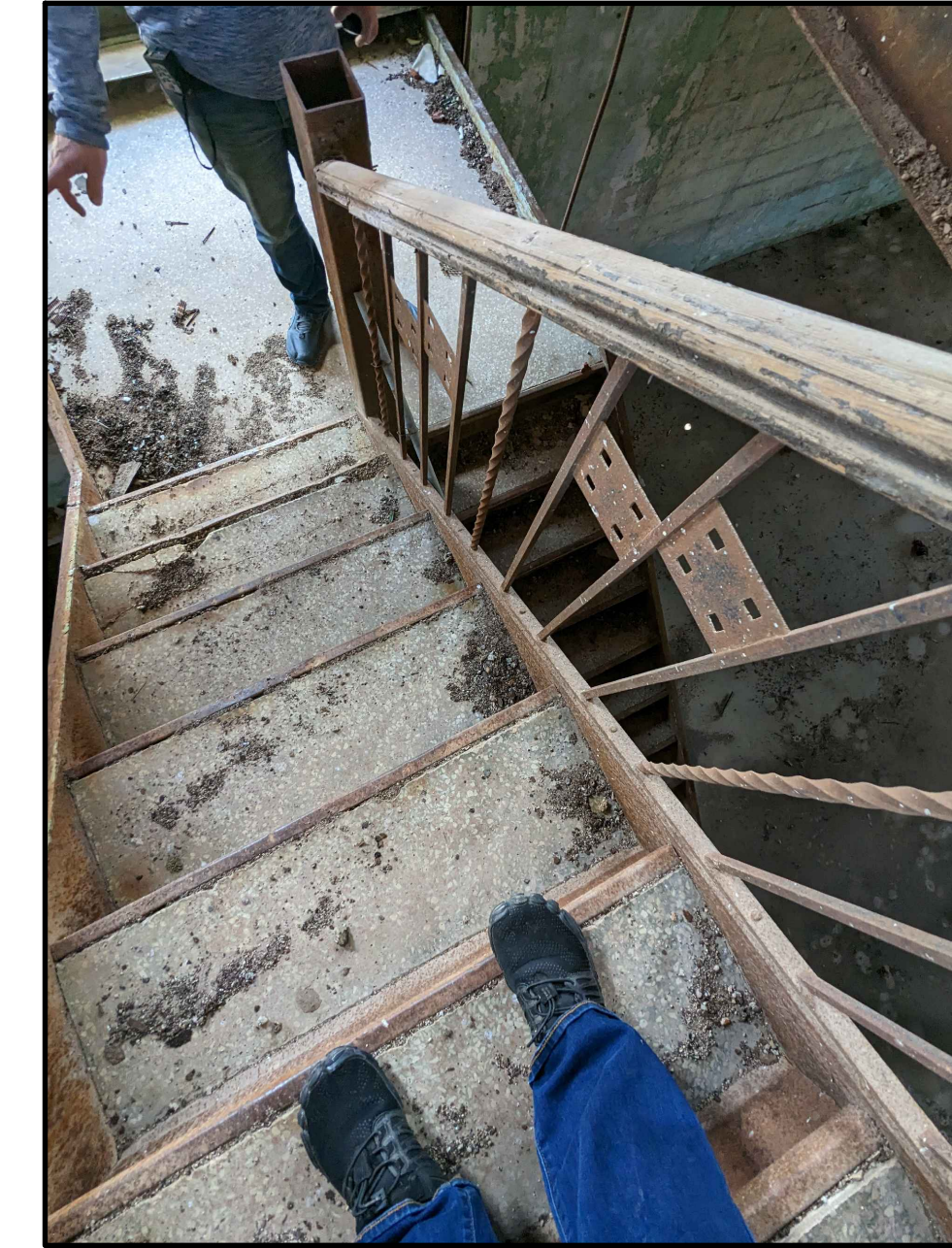
1. REPAIR EXISTING STEEL STRINGERS AND STAIR PANS AS NEEDED. CLEAN AND PAINT BLACK.
2. REPAIR EXISTING CONCRETE STAIR TREADS AND LANDING. FILL HOLES AND GAPS. CLEAN AND SEAL.
3. RAILINGS: REPAIR, STRAIGHTEN AND REPLACE RAILS AS NEEDED. STABILIZE & STRENGTHEN ENTIRE SYSTEM. CLEAN ALL RAILS, DECORATIVE PLATES, AND WOOD HANDRAIL. PAINT RAILS & DECORATIVE PLATES BLACK. STAIN WOOD HANDRAIL. STAIN COLOR TBD.
5. METAL POSTS AT LANDINGS: REPAIR AS NEEDED. CLEAN & PAINT BLACK.
6. REPLACE MISSING METAL POST TOPPERS (TO MATCH EXISTING). CLEAN AND REPAIR EXISTING POST TOPPERS. PAINT. COLOR TBD.
7. RAIL AT TOP OF STAIR: REMOVE, PREP FOR INSTALLATION NEW STAIR TO PENTHOUSE.

H PHOTO STAIR S1 - 3RD FLOOR
1/4"=1'-0"



1. REPAIR EXISTING STEEL STRINGERS AND STAIR PANS AS NEEDED. CLEAN AND PAINT BLACK.
2. REPAIR EXISTING TERRAZZO STAIR TREADS AND LANDING. FILL HOLES AND GAPS. CLEAN AND SEAL.
3. RAILINGS: REPAIR, STRAIGHTEN AND REPLACE RAILS AS NEEDED. STABILIZE & STRENGTHEN ENTIRE SYSTEM. CLEAN ALL RAILS, DECORATIVE PLATES, AND WOOD HANDRAIL. PAINT RAILS & DECORATIVE PLATES BLACK. STAIN WOOD HANDRAIL. STAIN COLOR TBD.
5. METAL POSTS AT LANDINGS: REPAIR AS NEEDED. CLEAN & PAINT BLACK.
6. REPLACE MISSING METAL POST TOPPERS (TO MATCH EXISTING). CLEAN AND REPAIR EXISTING POST TOPPERS. PAINT. COLOR TBD.
7. NEW FIRE-RATED WALLS TO BE INSTALLED ALONG WEST SIDE AND EAST SIDE OF STAIR. INSTALL NEW WALL MOUNTED HANDRAILS, WOOD STAIN TO MATCH EXISTING HANDRAIL.

G PHOTO STAIR S1 - 2ND FLOOR
1/4"=1'-0"



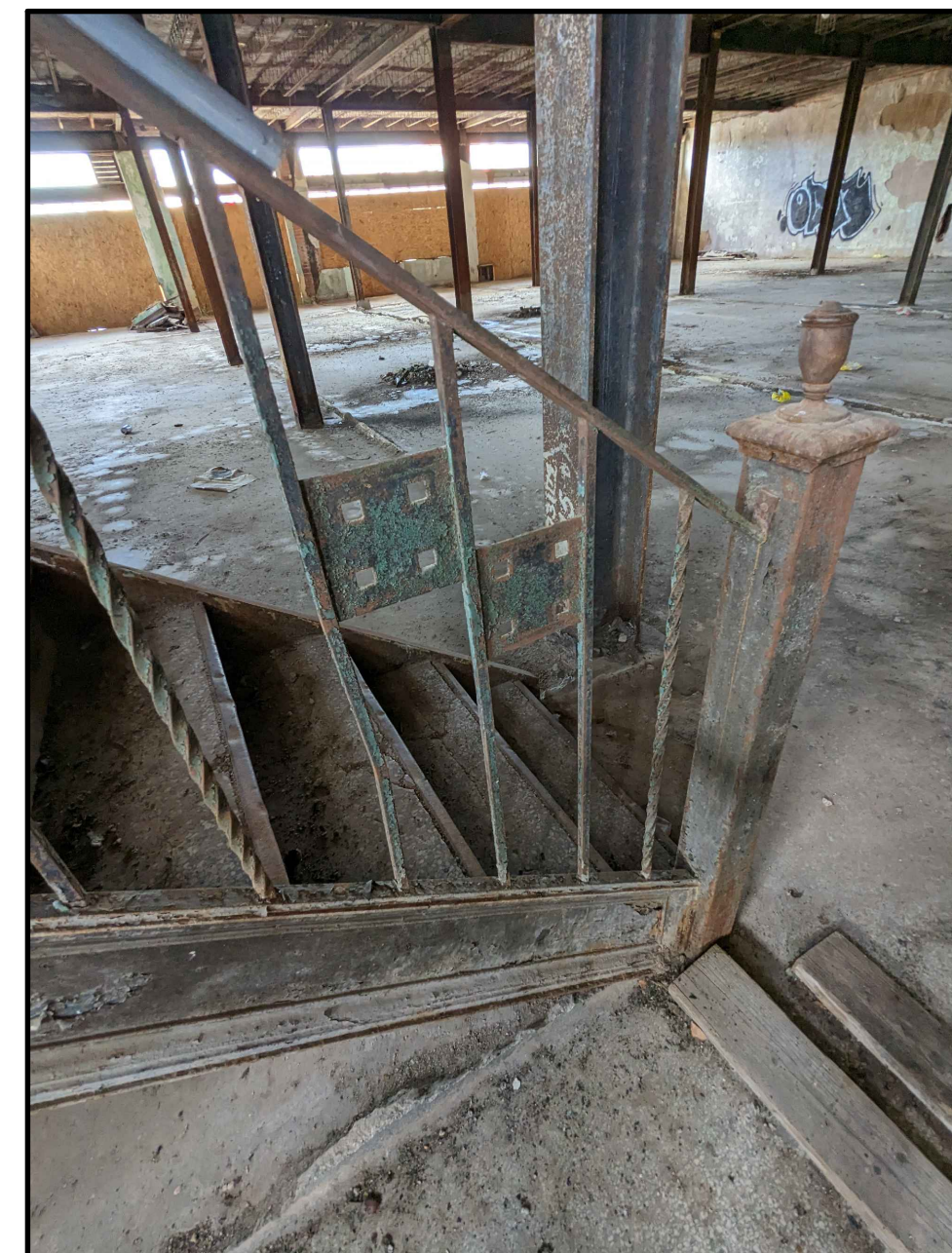
1. REPAIR EXISTING STEEL STRINGERS AND STAIR PANS AS NEEDED. CLEAN AND PAINT BLACK.
2. REPAIR EXISTING TERRAZZO STAIR TREADS AND LANDING. FILL HOLES AND GAPS WITH CONCRETE THAT MATCHES IN COLOR. CLEAN AND SEAL.
3. RAILING FROM LANDING TO 2ND FLOOR: REPAIR, STRAIGHTEN AND REPLACE RAILS AS NEEDED. STABILIZE & STRENGTHEN ENTIRE SYSTEM. CLEAN ALL RAILS, DECORATIVE PLATES, AND WOOD HANDRAIL. PAINT RAILS & DECORATE PLATES BLACK. STAIN WOOD HANDRAIL. STAIN COLOR TBD.
4. METAL POST AT LANDINGS: REPAIR AS NEEDED. CLEAN & PAINT BLACK.
5. REPLACE MISSING METAL POST TOPPERS (TO MATCH EXISTING). CLEAN AND REPAIR EXISTING POST TOPPERS. PAINT. COLOR TBD.
6. NEW FIRE-RATED WALLS TO BE INSTALLED ALONG WEST SIDE AND EAST SIDE OF STAIR. INSTALL NEW WALL MOUNTED HANDRAILS, WOOD STAIN TO MATCH EXISTING HANDRAIL.

F PHOTO STAIR S1 - 2ND FLOOR TO LANDING
1/4"=1'-0"



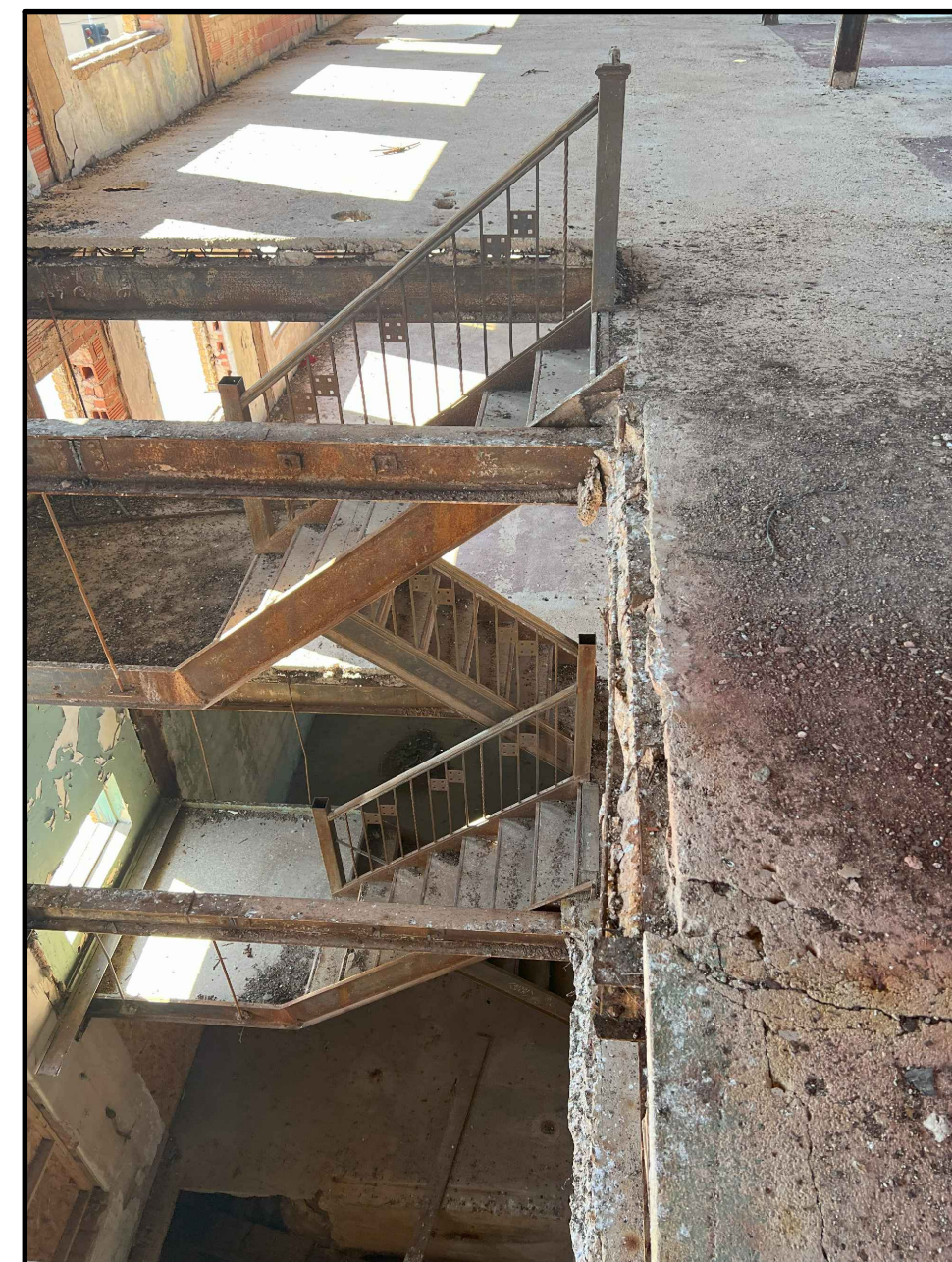
1. REPAIR EXISTING STEEL STRINGERS AND STAIR PANS AS NEEDED. CLEAN AND PAINT BLACK.
2. REPAIR EXISTING TERRAZZO STAIR TREADS AND LANDING. FILL HOLES AND GAPS WITH CONCRETE THAT MATCHES IN COLOR. CLEAN AND SEAL.
3. RAILING FROM 1ST FLOOR TO LANDING: REMOVE AND SALVAGE. PREP STRINGER FOR NEW RAILING, DESIGNED TO MATCH EXISTING.
4. RAILING FROM LANDING TO 2ND FLOOR: REPAIR, STRAIGHTEN AND REPLACE RAILS AS NEEDED. STABILIZE & STRENGTHEN ENTIRE SYSTEM. CLEAN ALL RAILS, DECORATIVE PLATES, AND WOOD HANDRAIL. PAINT RAILS & DECORATE PLATES BLACK. STAIN WOOD HANDRAIL. STAIN COLOR TBD.
5. METAL POST AT LANDINGS: REPAIR AS NEEDED. CLEAN & PAINT BLACK.
6. REPLACE MISSING METAL POST TOPPERS (TO MATCH EXISTING). CLEAN AND REPAIR EXISTING POST TOPPERS. PAINT. COLOR TBD.
7. NEW FIRE-RATED WALLS TO BE INSTALLED ALONG WEST SIDE AND EAST SIDE OF STAIR. INSTALL NEW WALL MOUNTED HANDRAILS, WOOD STAIN TO MATCH EXISTING HANDRAIL.

E PHOTO STAIR S1 - LANDING BTWN 1ST & 2ND
1/4"=1'-0"



1. REPAIR EXISTING STEEL STRINGERS AND STAIR PANS AS NEEDED. CLEAN AND PAINT BLACK.
2. REPAIR EXISTING TERRAZZO STAIR TREADS AND LANDING. FILL HOLES AND GAPS WITH CONCRETE THAT MATCHES IN COLOR. CLEAN AND SEAL.
3. RAILING FROM 1ST FLOOR TO LANDING: REMOVE AND SALVAGE. PREP STRINGER FOR NEW RAILING, DESIGNED TO MATCH EXISTING.
4. METAL POST AT BOTTOM OF STAIR: REPAIR AS NEEDED. CLEAN & PAINT BLACK.
5. CLEAN AND REPAIR EXISTING POST TOPPER. STAIN. COLOR TBD.
6. NEW FIRE-RATED WALLS TO BE INSTALLED ALONG WEST SIDE AND EAST SIDE OF STAIR. INSTALL NEW WALL MOUNTED HANDRAILS, WOOD STAIN TO MATCH EXISTING HANDRAIL.

D PHOTO STAIR S1 - 1ST FLOOR
1/4"=1'-0"



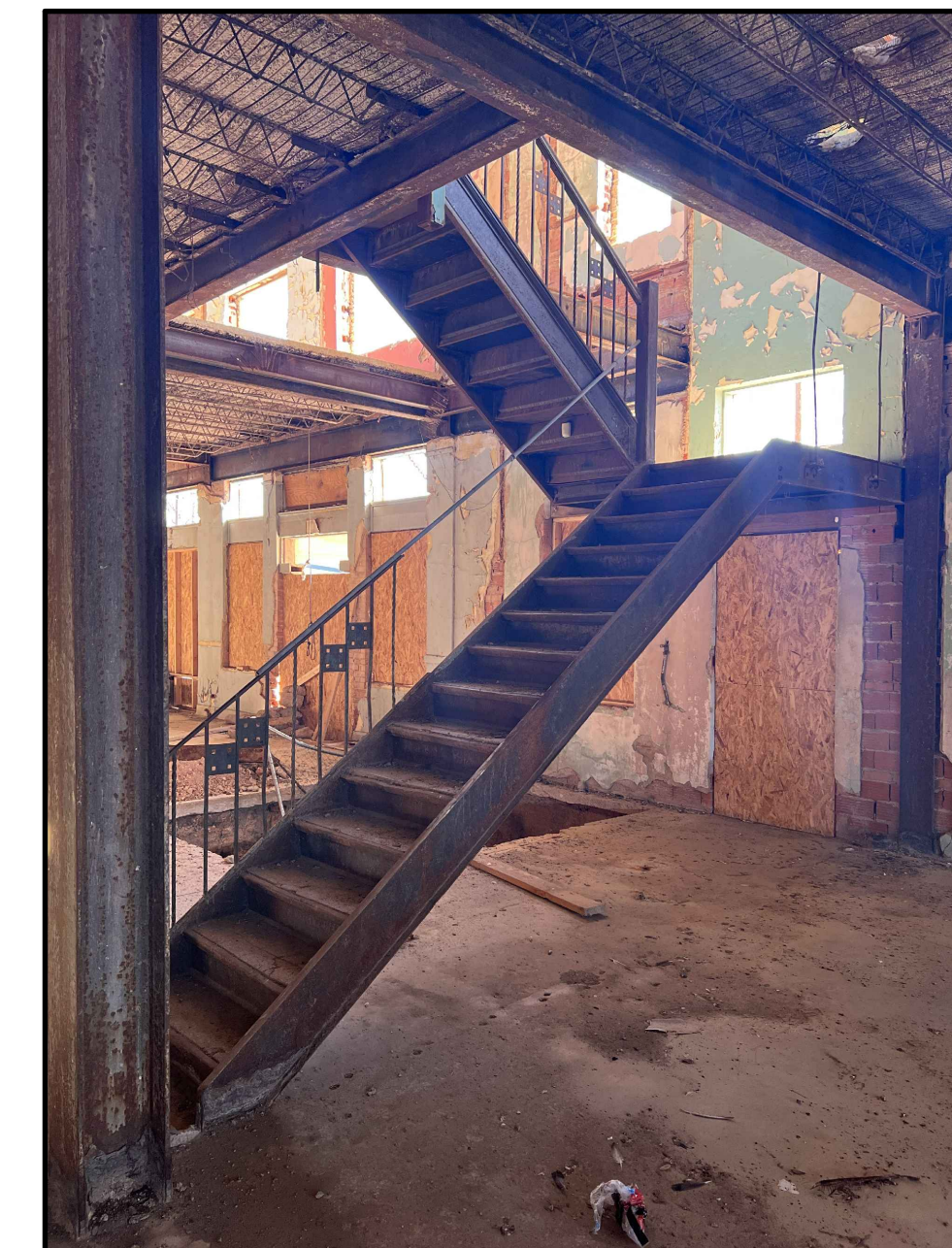
1. REPAIR EXISTING STEEL STRINGERS AND STAIR PANS AS NEEDED. CLEAN AND PAINT BLACK.
2. REPAIR EXISTING CONCRETE STAIR TREADS AND LANDING. FILL HOLES AND GAPS. CLEAN AND SEAL.
3. RAILINGS: REPAIR, STRAIGHTEN AND REPLACE RAILS AS NEEDED. STABILIZE & STRENGTHEN ENTIRE SYSTEM. CLEAN ALL RAILS, DECORATIVE PLATES, AND WOOD HANDRAIL. PAINT RAILS & DECORATIVE PLATES BLACK. STAIN WOOD HANDRAIL. STAIN COLOR TBD.
5. METAL POSTS AT LANDINGS: REPAIR AS NEEDED. CLEAN & PAINT BLACK.
6. REPLACE MISSING METAL POST TOPPERS (TO MATCH EXISTING). CLEAN AND REPAIR EXISTING POST TOPPERS. PAINT. COLOR TBD.
7. NEW FIRE-RATED WALLS TO BE INSTALLED ALONG WEST SIDE AND EAST SIDE OF STAIR. INSTALL NEW WALL MOUNTED HANDRAILS, WOOD STAIN TO MATCH EXISTING HANDRAIL.
8. RAIL AT TOP OF STAIR: REMOVE, PREP FOR INSTALLATION NEW STAIR TO PENTHOUSE.

C PHOTO STAIR S1 - 3RD FLOOR
1/4"=1'-0"



1. REPAIR EXISTING STEEL STRINGERS AND STAIR PANS AS NEEDED. CLEAN AND PAINT BLACK.
2. REPAIR EXISTING CONCRETE STAIR TREADS AND LANDING. FILL HOLES AND GAPS. CLEAN AND SEAL.
3. RAILINGS: REPAIR, STRAIGHTEN AND REPLACE RAILS AS NEEDED. STABILIZE & STRENGTHEN ENTIRE SYSTEM. CLEAN ALL RAILS, DECORATIVE PLATES, AND WOOD HANDRAIL. PAINT RAILS & DECORATIVE PLATES BLACK. STAIN WOOD HANDRAIL. STAIN COLOR TBD.
5. METAL POSTS AT LANDINGS: REPAIR AS NEEDED. CLEAN & PAINT BLACK.
6. REPLACE MISSING METAL POST TOPPERS (TO MATCH EXISTING). CLEAN AND REPAIR EXISTING POST TOPPERS. PAINT. COLOR TBD.
7. NEW FIRE-RATED WALLS TO BE INSTALLED ALONG WEST SIDE AND EAST SIDE OF STAIR. INSTALL NEW WALL MOUNTED HANDRAILS, WOOD STAIN TO MATCH EXISTING HANDRAIL.

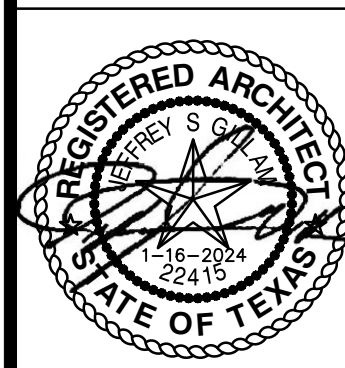
B PHOTO STAIR S1 - 2ND TO 3RD FLOOR
1/4"=1'-0"



1. REPAIR EXISTING STEEL STRINGERS AND STAIR PANS AS NEEDED. CLEAN AND PAINT BLACK.
2. REPAIR EXISTING TERRAZZO STAIR TREADS AND LANDING. FILL HOLES AND GAPS WITH CONCRETE THAT MATCHES IN COLOR. CLEAN AND SEAL.
3. RAILING FROM 1ST FLOOR TO LANDING: REMOVE AND SALVAGE. PREP STRINGER FOR NEW RAILING, DESIGNED TO MATCH EXISTING.
4. RAILING FROM LANDING TO 2ND FLOOR: REPAIR, STRAIGHTEN AND REPLACE RAILS AS NEEDED. STABILIZE & STRENGTHEN ENTIRE SYSTEM. CLEAN ALL RAILS, DECORATIVE PLATES, AND WOOD HANDRAIL. PAINT RAILS & DECORATE PLATES BLACK. STAIN WOOD HANDRAIL. STAIN COLOR TBD.
5. METAL POST AT LANDINGS: REPAIR AS NEEDED. CLEAN & PAINT BLACK.
6. REPLACE MISSING METAL POST TOPPERS (TO MATCH EXISTING). CLEAN AND REPAIR EXISTING POST TOPPERS. PAINT. COLOR TBD.
7. NEW FIRE-RATED WALLS TO BE INSTALLED ALONG WEST SIDE AND EAST SIDE OF STAIR. INSTALL NEW WALL MOUNTED HANDRAILS, WOOD STAIN TO MATCH EXISTING HANDRAIL.

A PHOTO STAIR S1 - 1ST TO 2ND FLOOR
1/4"=1'-0"

STAIR S1



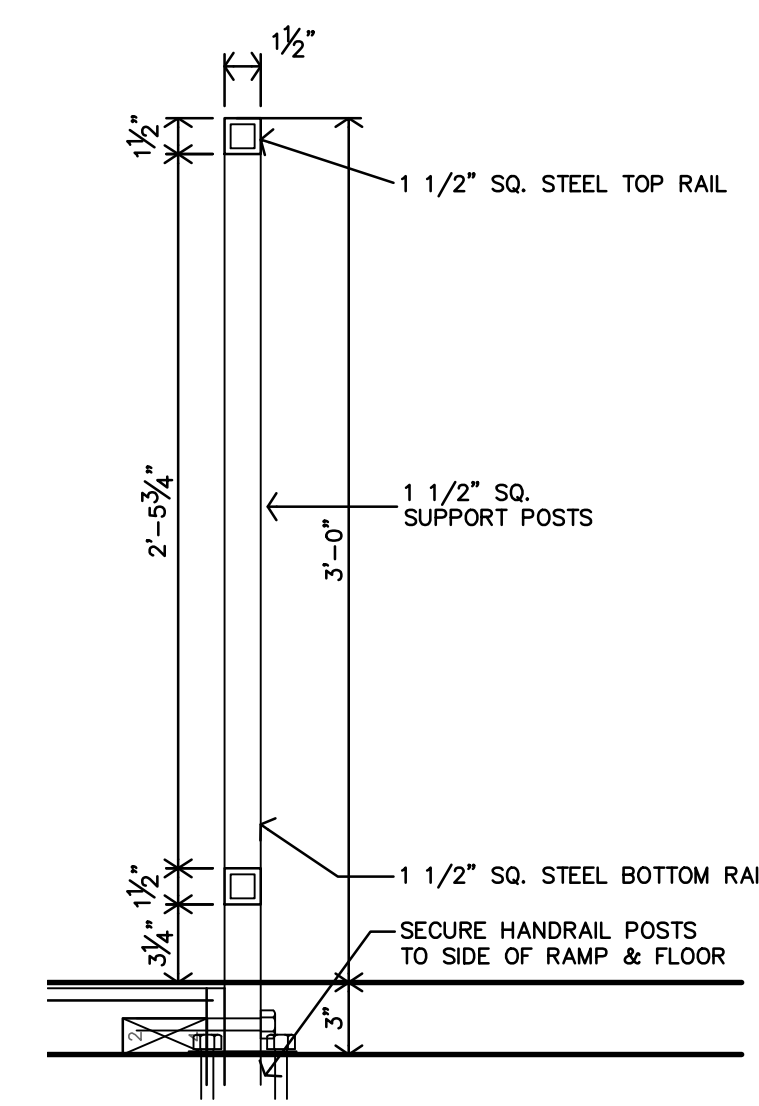
REVISION: _____
DATE: 1-16-2024
JOB: 22-3281
SHEET NO.:

JGR
Jones Gillam Renz
1881 Main Street, Suite 301
Salina, KS 67401
785.827.0386
jgr@jgarchitects.com

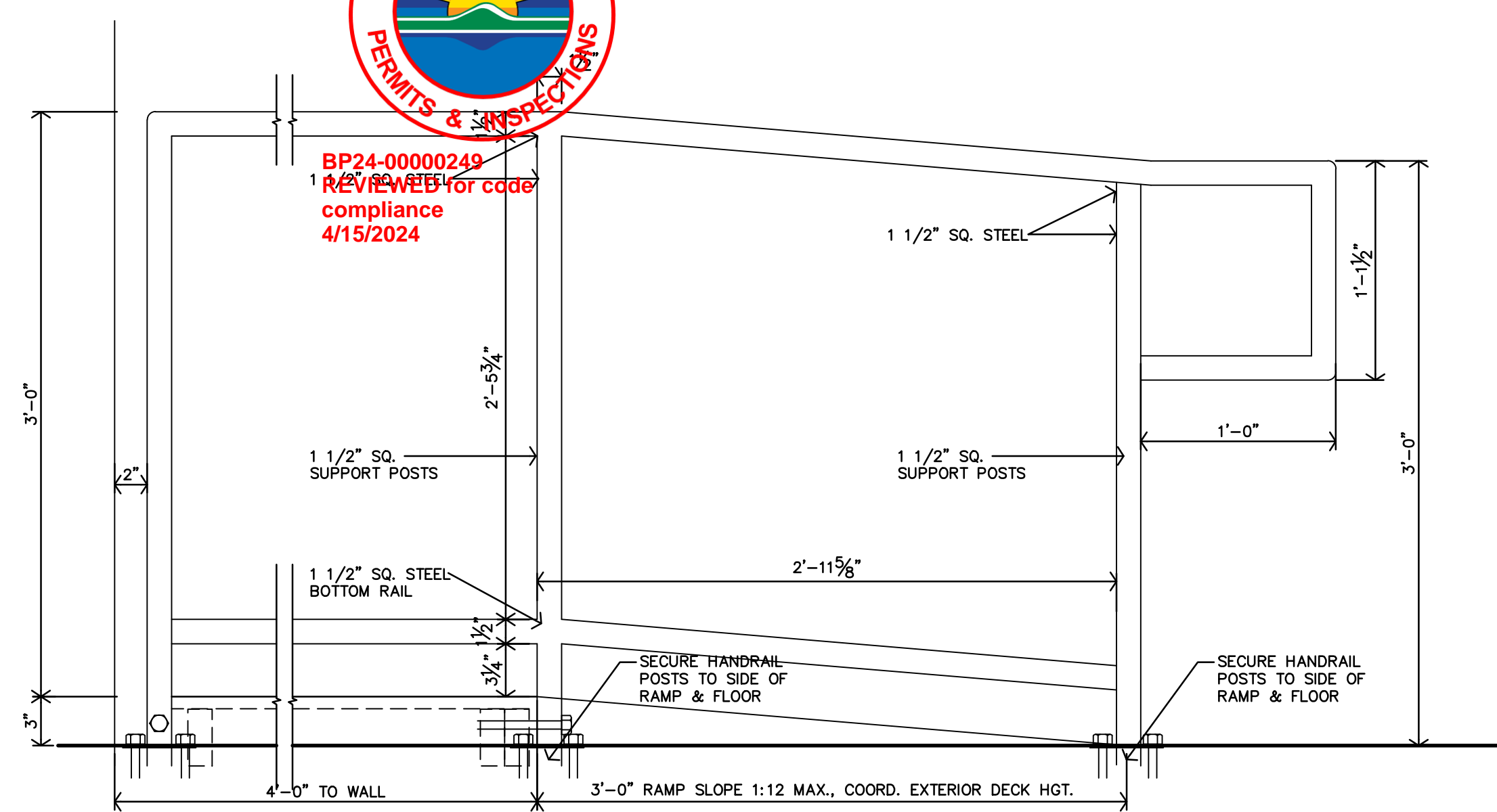
ROOSEVELT LOFTS
HISTORIC REHABILITATION - APARTMENTS
SAN ANGELO, TEXAS

A6.2

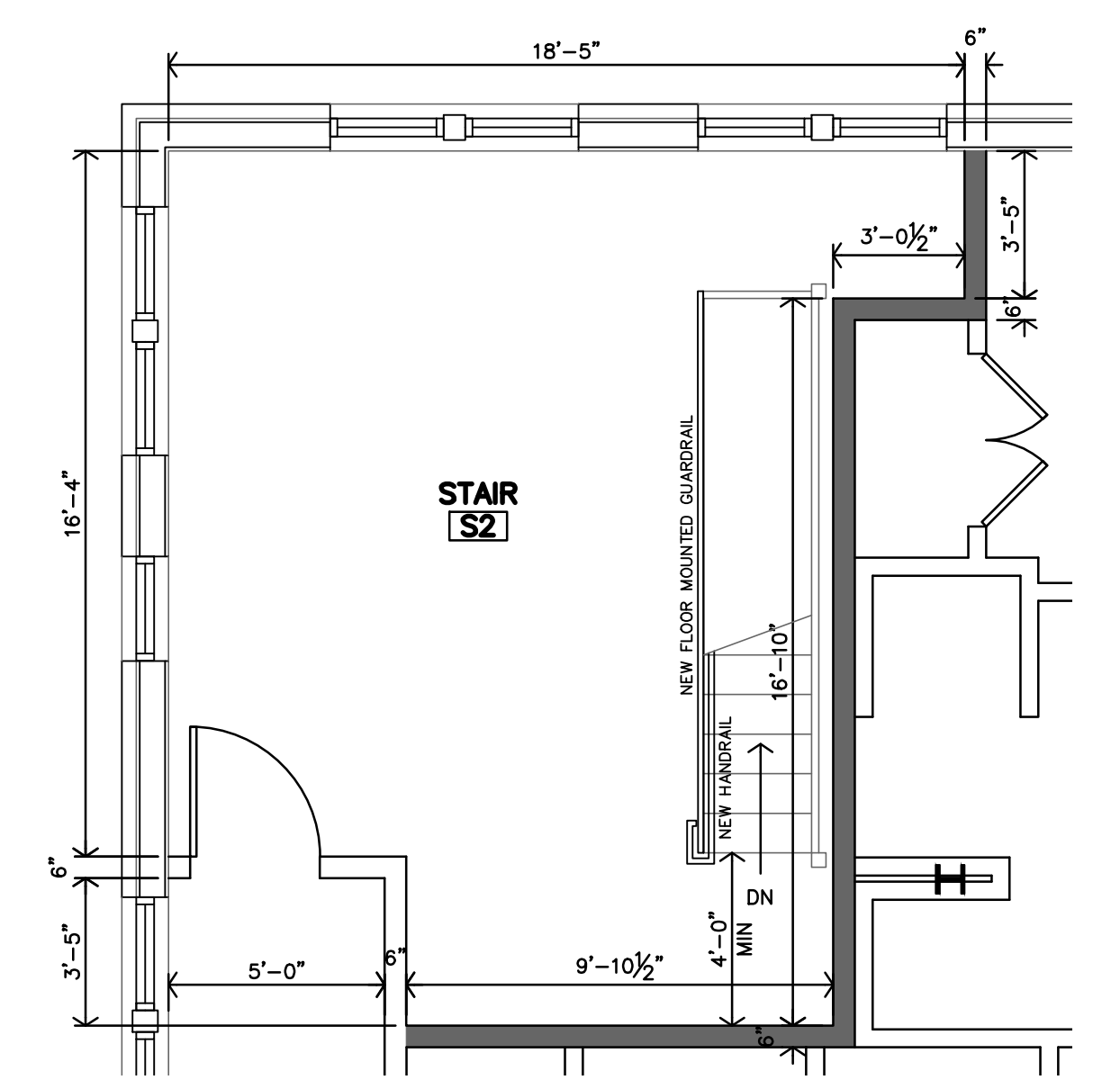
COPYRIGHTED ©



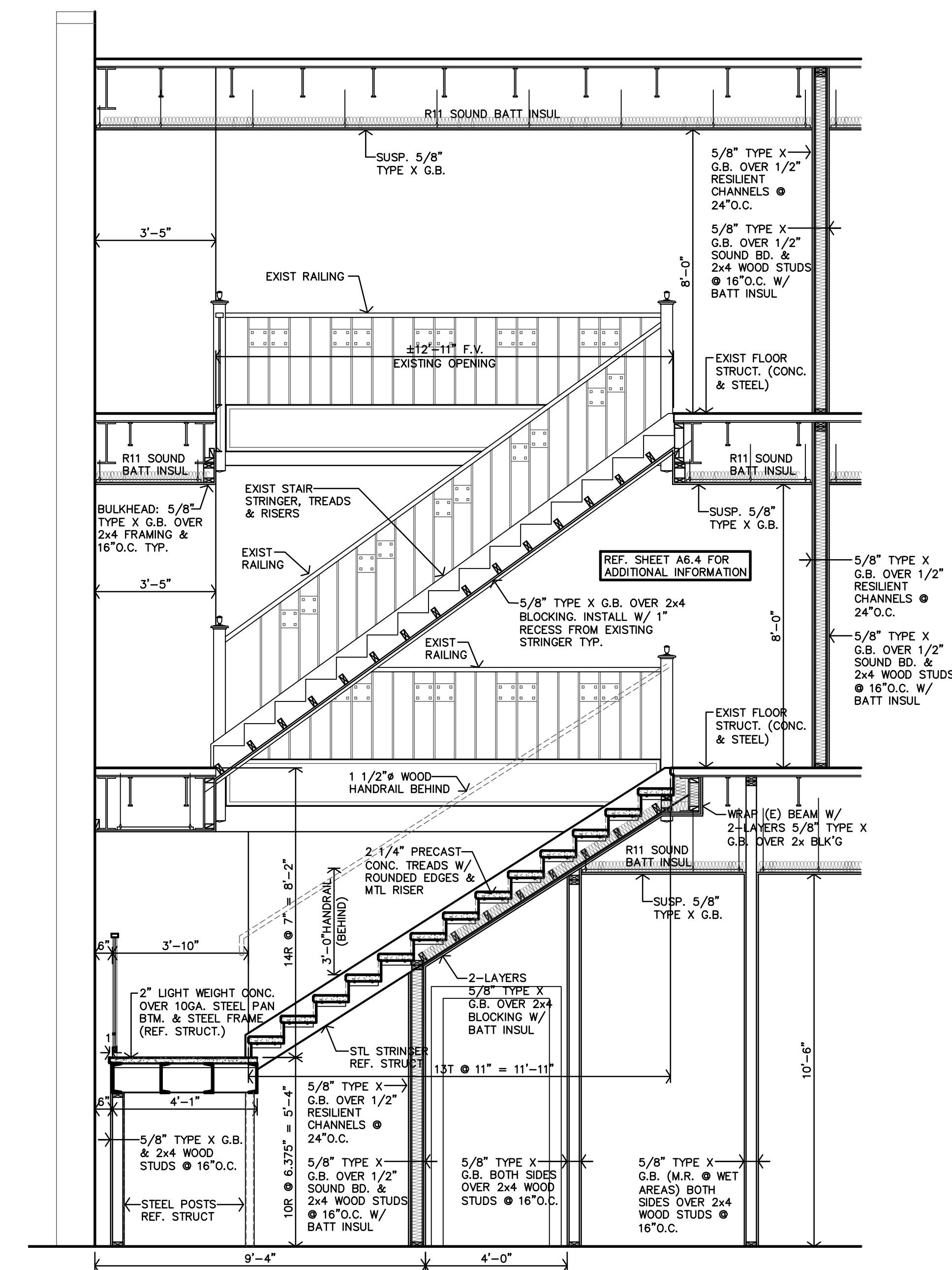
G DOOR 217 RAMP SECTION
1 1/2" = 1'-0"



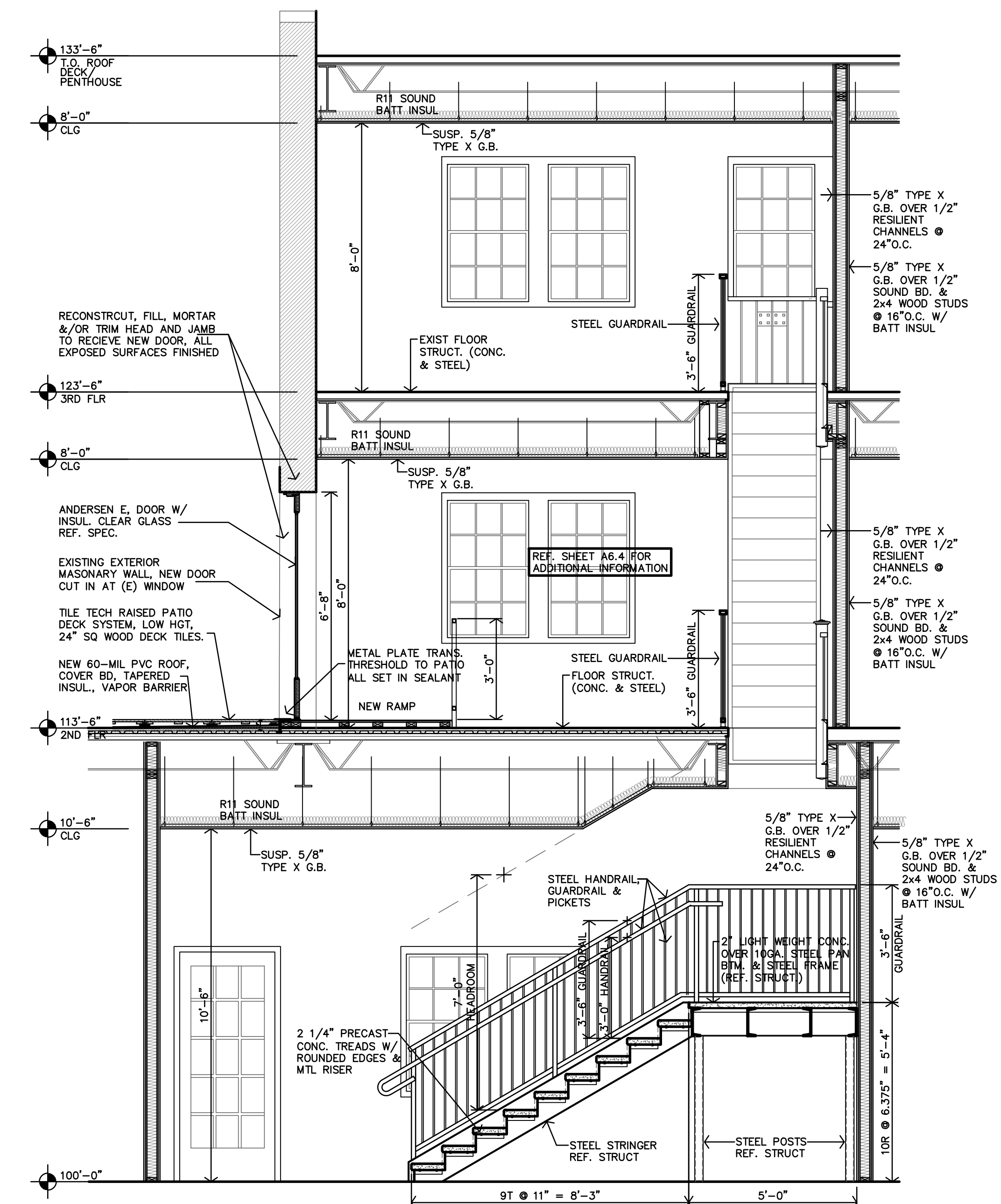
F DOOR 217 RAMP ELEVATION
1 1/2" = 1'-0"



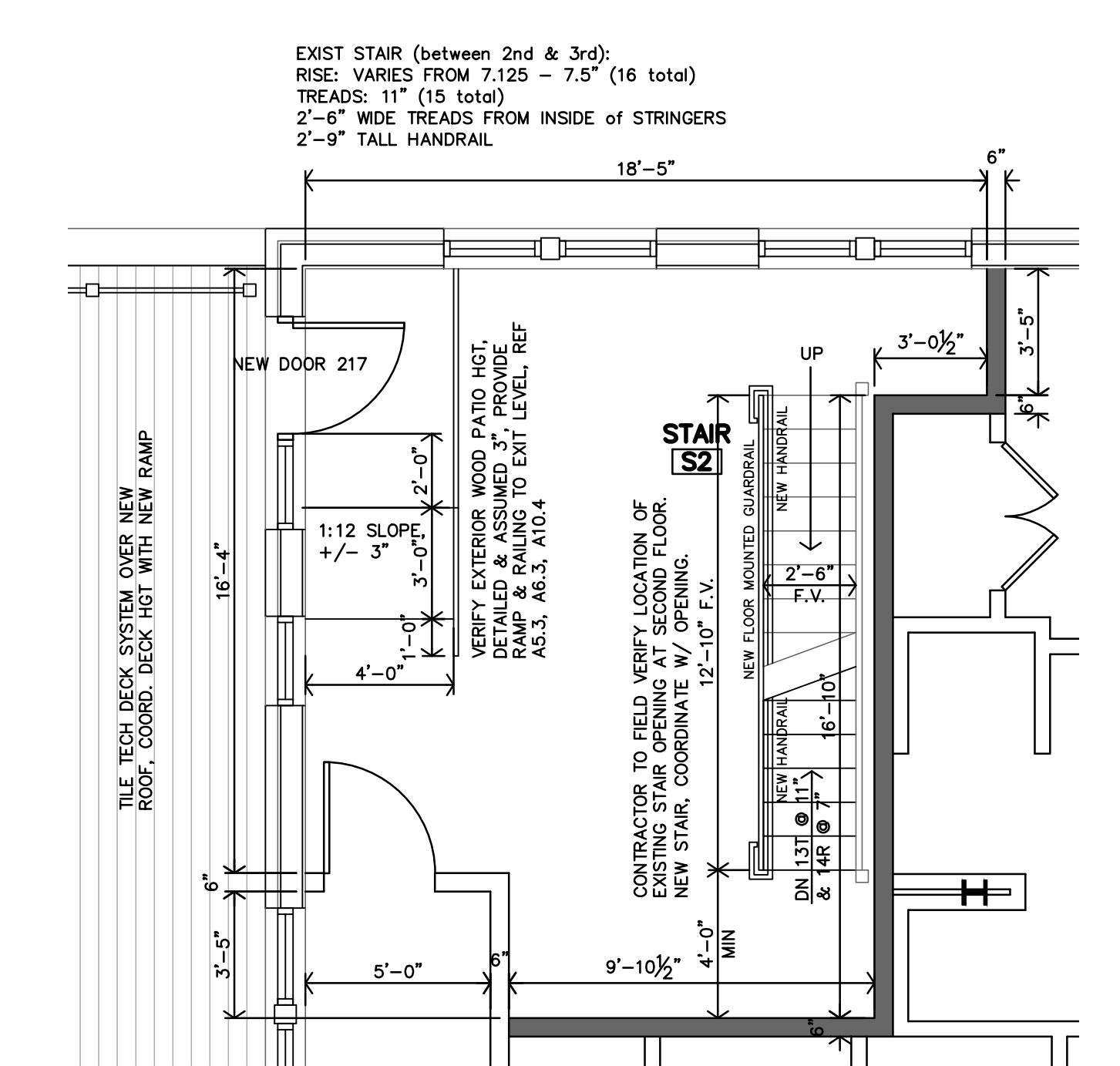
C STAIR S2 ENLARGED 3RD FLR. PLAN
1/4" = 1'-0"



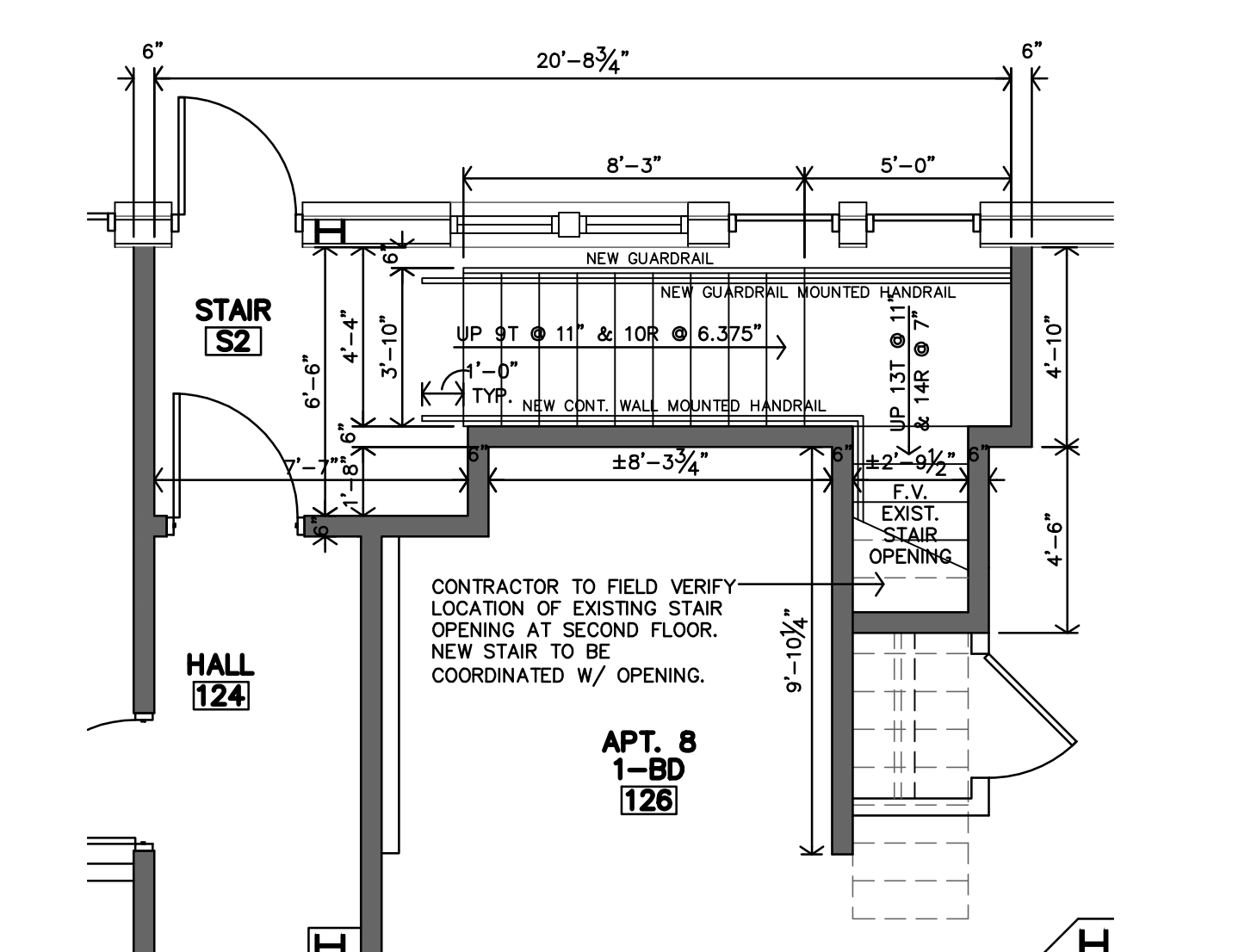
E STAIR S2 SECTION
3/8" = 1'-0"



D STAIR S2 SECTION
3/8" = 1'-0"



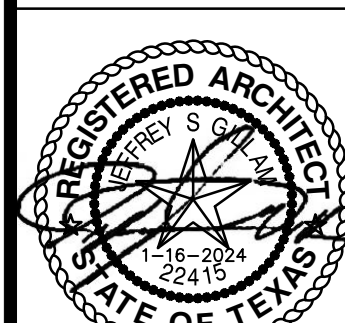
B STAIR S2 ENLARGED 2ND FLR. PLAN
1/4" = 1'-0"



A STAIR S2 ENLARGED FIRST FLR. PLAN
1/4" = 1'-0"

JGR
JonesGillamRenz
1881 Main Street, Suite 301
Salina, KS 67401
785.827.0386
jgr@jgarchitects.com

ROOSEVELT LOFTS
HISTORIC REHABILITATION - APARTMENTS
SAN ANGELO, TEXAS



REVISION:
DATE: 1-16-2024
JOB: 22-3281
SHEET NO.:

A6.3

COPYRIGHTED



1. REPAIR EXISTING STEEL STRINGERS AND STAIR PANS AS NEEDED. CLEAN AND PAINT BLACK.
2. REPAIR EXISTING CONCRETE STAIR TREADS. FILL HOLES AND GAPS WITH CONCRETE THAT MATCHES IN COLOR. CLEAN AND SEAL.
3. RAILING ALONG EAST & NORTH SIDE OF STAIR: REPAIR, STRAIGHTEN AND REPLACE RAILS AS NEEDED. STABILIZE & STRENGTHEN ENTIRE SYSTEM. CLEAN ALL RAILS, DECORATIVE PLATES, AND WOOD HANDRAIL. PAINT RAILS & DECORATE PLATES BLACK. STAIN WOOD HANDRAIL. STAIN COLOR TBD.
4. REPLACE METAL POST & WOOD TOPPER AT NORTHWEST CORNER OF STAIR. MATCH EXISTING.
5. METAL POSTS AT LANDINGS: REPAIR AS NEEDED. CLEAN & PAINT BLACK.
6. REPLACE MISSING METAL POST TOPPERS (TO MATCH EXISTING). CLEAN AND REPAIR EXISTING POST TOPPERS. PAINT, COLOR TBD
7. NEW GUARDRAIL SHALL BE INSTALLED ALONG WEST SIDE OF STAIR OPENING. DESIGN TO COMPLIMENT EXISTING.
8. NEW GUARDRAIL & HANDRAIL SHALL BE INSTALLED DOWN WEST SIDE OF STRINGER TO 3RD FLOOR. DESIGN TO COMPLIMENT EXISTING.

J PHOTO STAIR S1 - 3RD FLOOR
1/4"=1'-0"



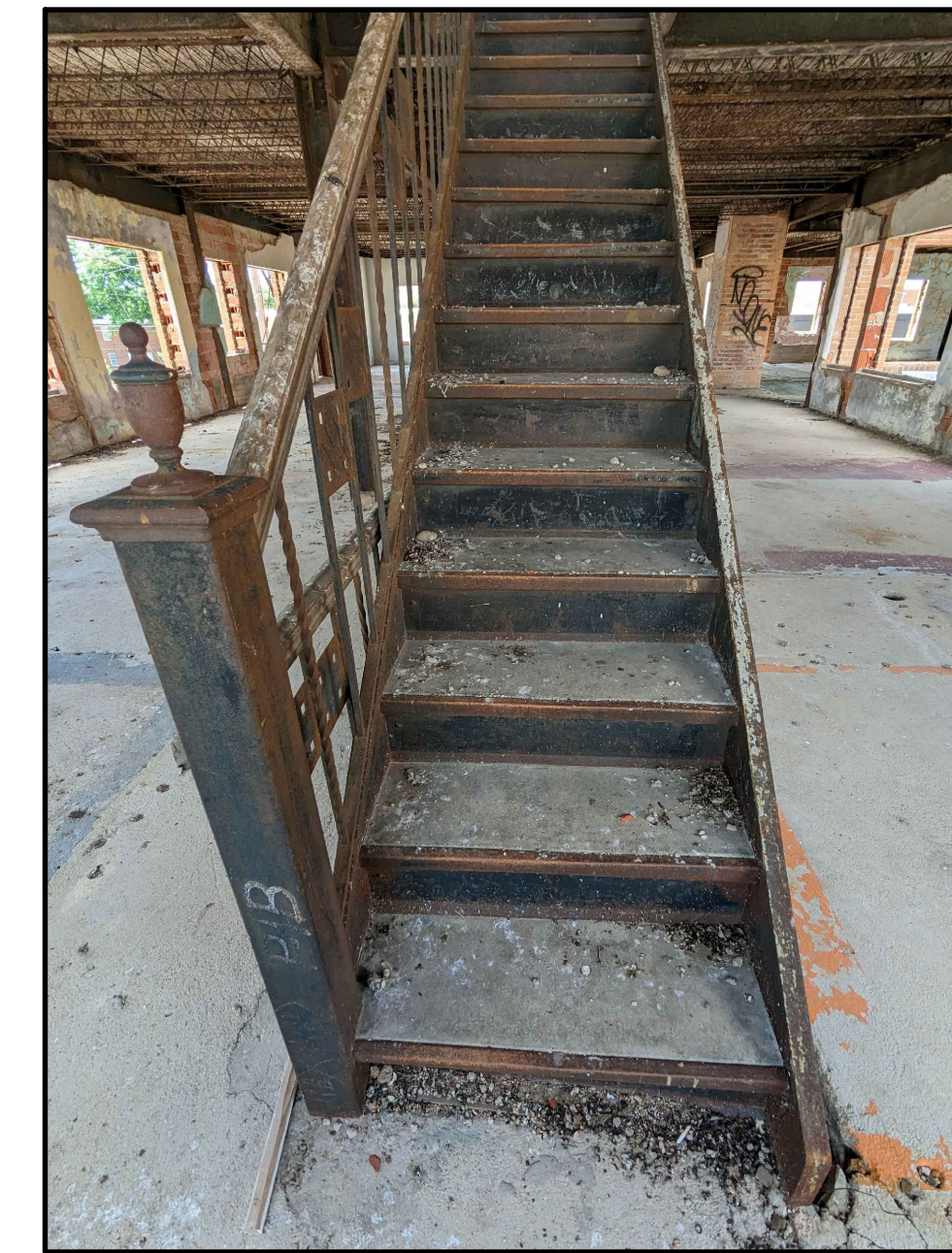
1. REPAIR EXISTING STEEL STRINGERS AND STAIR PANS AS NEEDED. CLEAN AND PAINT BLACK.
2. REPAIR EXISTING CONCRETE STAIR TREADS. FILL HOLES AND GAPS WITH CONCRETE THAT MATCHES IN COLOR. CLEAN AND SEAL.
3. RAILING ALONG EAST & NORTH SIDE OF STAIR: REPAIR, STRAIGHTEN AND REPLACE RAILS AS NEEDED. STABILIZE & STRENGTHEN ENTIRE SYSTEM. CLEAN ALL RAILS, DECORATIVE PLATES, AND WOOD HANDRAIL. PAINT RAILS & DECORATE PLATES BLACK. STAIN WOOD HANDRAIL. STAIN COLOR TBD.
4. REPLACE METAL POST & WOOD TOPPER AT NORTHWEST CORNER OF STAIR. MATCH EXISTING.
5. METAL POSTS AT LANDINGS: REPAIR AS NEEDED. CLEAN & PAINT BLACK.
6. REPLACE MISSING METAL POST TOPPERS (TO MATCH EXISTING). CLEAN AND REPAIR EXISTING POST TOPPERS. PAINT, COLOR TBD
7. NEW GUARDRAIL SHALL BE INSTALLED ALONG WEST SIDE OF STAIR OPENING. DESIGN TO COMPLIMENT EXISTING.
8. NEW GUARDRAIL & HANDRAIL SHALL BE INSTALLED DOWN WEST SIDE OF STRINGER TO 3RD FLOOR. DESIGN TO COMPLIMENT EXISTING.

H PHOTO STAIR S1 - 3RD FLOOR
1/4"=1'-0"



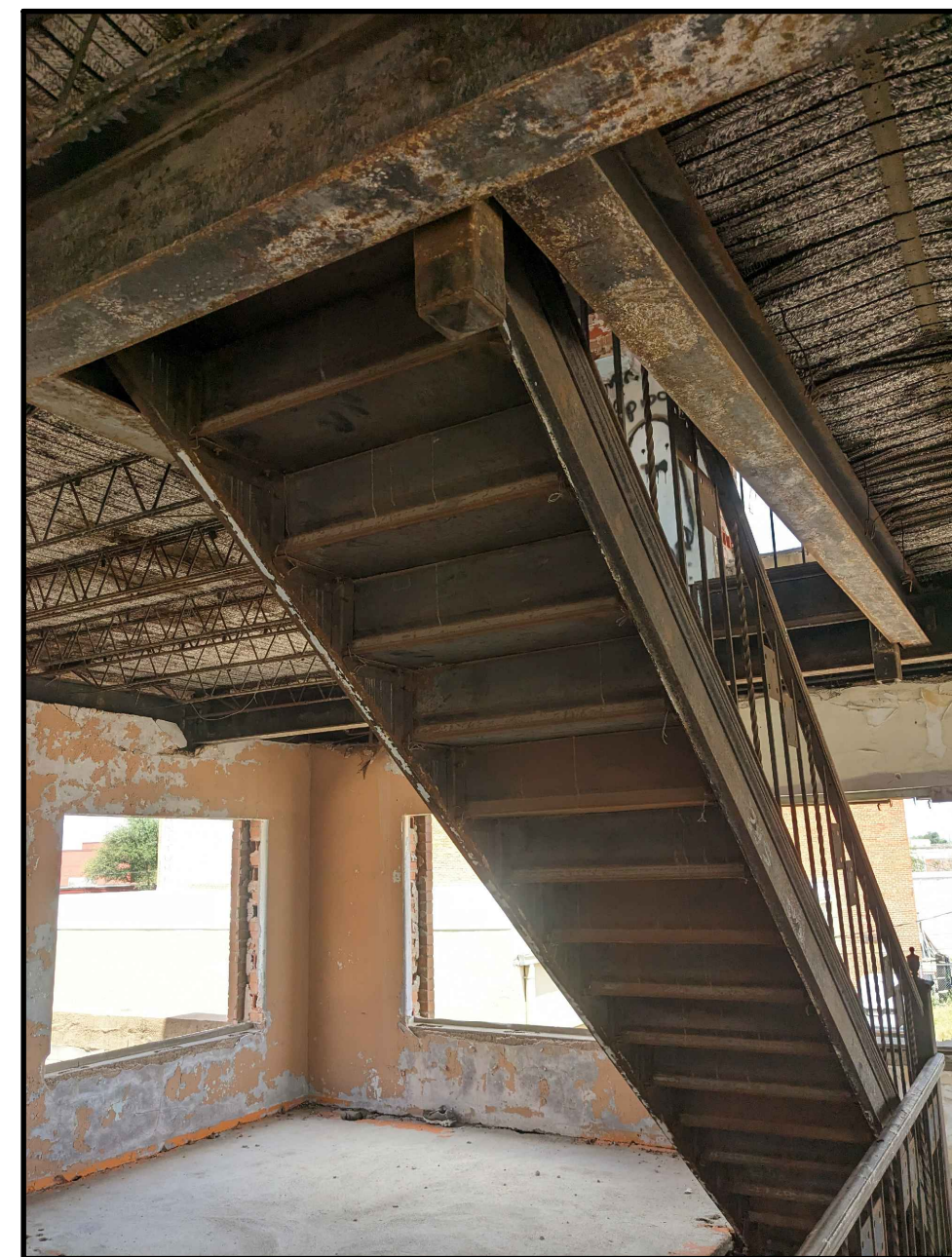
1. REPAIR EXISTING STEEL STRINGERS AND STAIR PANS AS NEEDED. CLEAN AND PAINT BLACK.
2. REPAIR EXISTING CONCRETE STAIR TREADS. FILL HOLES AND GAPS WITH CONCRETE THAT MATCHES IN COLOR. CLEAN AND SEAL.
3. RAILING ALONG EAST SIDE OF STAIR: REPAIR, STRAIGHTEN AND REPLACE RAILS AS NEEDED. STABILIZE & STRENGTHEN ENTIRE SYSTEM. CLEAN ALL RAILS, DECORATIVE PLATES, AND WOOD HANDRAIL. PAINT RAILS & DECORATE PLATES BLACK. STAIN WOOD HANDRAIL. STAIN COLOR TBD.
4. METAL POSTS AT LANDINGS: REPAIR AS NEEDED. CLEAN & PAINT BLACK.
5. REPLACE MISSING METAL POST TOPPERS (TO MATCH EXISTING). CLEAN AND REPAIR EXISTING POST TOPPERS. PAINT, COLOR TBD
6. NEW GUARDRAIL SHALL BE INSTALLED ALONG WEST SIDE OF STAIR OPENING. DESIGN TO COMPLIMENT EXISTING.
7. NEW GUARDRAIL & HANDRAIL SHALL BE INSTALLED UP WEST SIDE OF STRINGER TO 3RD FLOOR. DESIGN TO COMPLIMENT EXISTING.

G PHOTO STAIR S1 - 2ND TO 3RD FLOOR
1/4"=1'-0"



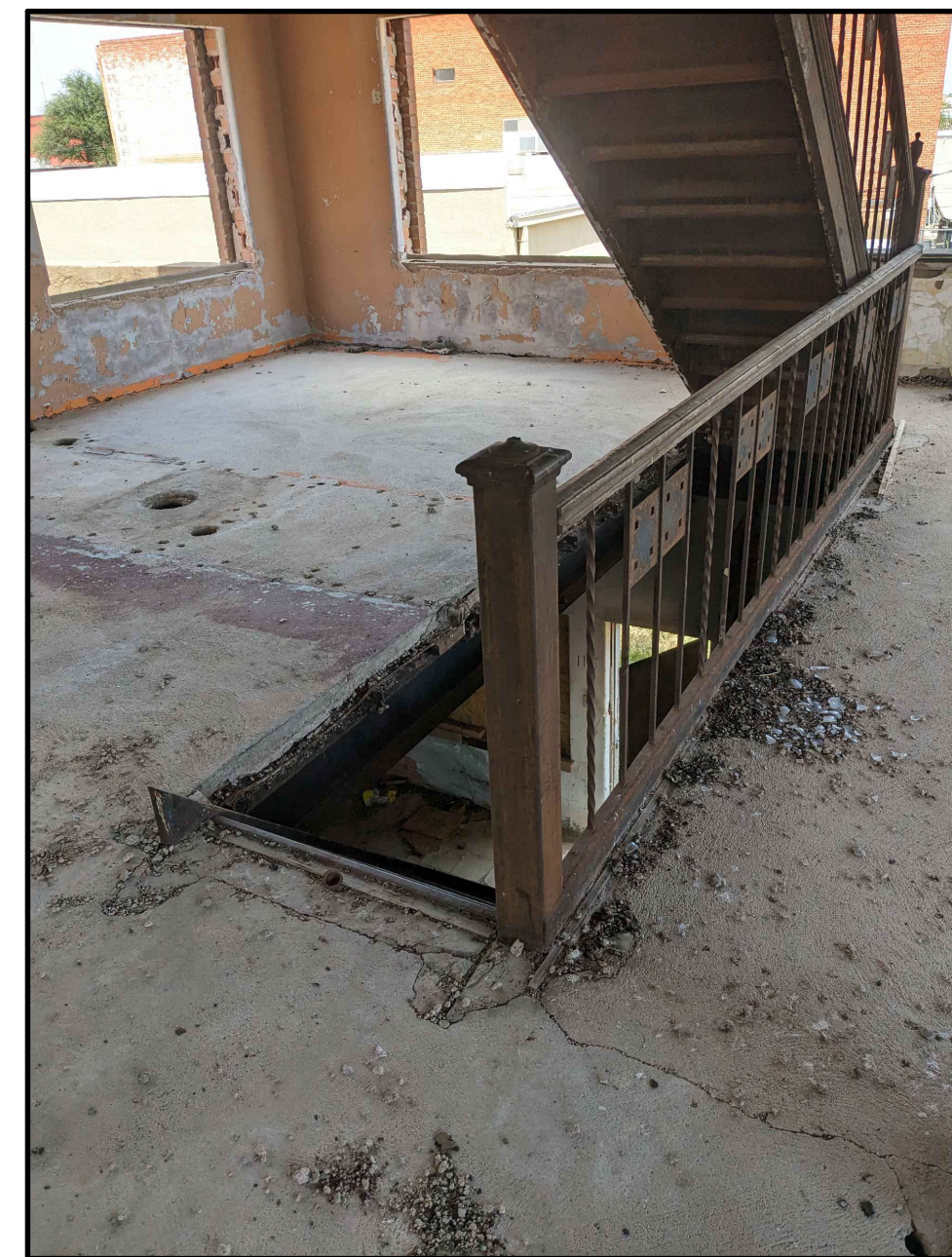
1. REPAIR EXISTING STEEL STRINGERS AND STAIR PANS AS NEEDED. CLEAN AND PAINT BLACK.
2. REPAIR EXISTING CONCRETE STAIR TREADS. FILL HOLES AND GAPS WITH CONCRETE THAT MATCHES IN COLOR. CLEAN AND SEAL.
3. RAILING ALONG EAST SIDE OF STAIR: REPAIR, STRAIGHTEN AND REPLACE RAILS AS NEEDED. STABILIZE & STRENGTHEN ENTIRE SYSTEM. CLEAN ALL RAILS, DECORATIVE PLATES, AND WOOD HANDRAIL. PAINT RAILS & DECORATE PLATES BLACK. STAIN WOOD HANDRAIL. STAIN COLOR TBD.
4. METAL POSTS AT LANDINGS: REPAIR AS NEEDED. CLEAN & PAINT BLACK.
5. REPLACE MISSING METAL POST TOPPERS (TO MATCH EXISTING). CLEAN AND REPAIR EXISTING POST TOPPERS. PAINT - COLOR TBD
6. NEW GUARDRAIL SHALL BE INSTALLED ALONG WEST SIDE OF STAIR OPENING. DESIGN TO COMPLIMENT EXISTING.
7. NEW GUARDRAIL & HANDRAIL SHALL BE INSTALLED UP WEST SIDE OF STRINGER TO 3RD FLOOR. DESIGN TO COMPLIMENT EXISTING.

F PHOTO STAIR S1 - 2ND TO 3RD FLOOR
1/4"=1'-0"



1. REPAIR EXISTING STEEL STRINGERS AND STAIR PANS AS NEEDED. CLEAN AND PAINT BLACK.
2. REPAIR EXISTING CONCRETE STAIR TREADS. FILL HOLES AND GAPS WITH CONCRETE THAT MATCHES IN COLOR. CLEAN AND SEAL.
3. RAILING ALONG EAST SIDE OF STAIR: REPAIR, STRAIGHTEN AND REPLACE RAILS AS NEEDED. STABILIZE & STRENGTHEN ENTIRE SYSTEM. CLEAN ALL RAILS, DECORATIVE PLATES, AND WOOD HANDRAIL. PAINT RAILS & DECORATE PLATES BLACK. STAIN WOOD HANDRAIL. STAIN COLOR TBD.
4. METAL POSTS AT LANDINGS: REPAIR AS NEEDED. CLEAN & PAINT BLACK.
5. REPLACE MISSING METAL POST TOPPERS (TO MATCH EXISTING). CLEAN AND REPAIR EXISTING POST TOPPERS. PAINT - COLOR TBD
6. NEW GUARDRAIL SHALL BE INSTALLED ALONG WEST SIDE OF STAIR OPENING. DESIGN TO COMPLIMENT EXISTING.
7. NEW GUARDRAIL & HANDRAIL SHALL BE INSTALLED UP WEST SIDE OF STRINGER TO 3RD FLOOR. DESIGN TO COMPLIMENT EXISTING.

E PHOTO STAIR S2 - 2ND TO 3RD FLOOR
1/4"=1'-0"



1. REPAIR EXISTING STEEL STRINGERS AND STAIR PANS AS NEEDED. CLEAN AND PAINT BLACK.
2. REPAIR EXISTING CONCRETE STAIR TREADS. FILL HOLES AND GAPS WITH CONCRETE THAT MATCHES IN COLOR. CLEAN AND SEAL.
3. RAILING ALONG EAST SIDE OF STAIR: REPAIR, STRAIGHTEN AND REPLACE RAILS AS NEEDED. STABILIZE & STRENGTHEN ENTIRE SYSTEM. CLEAN ALL RAILS, DECORATIVE PLATES, AND WOOD HANDRAIL. PAINT RAILS & DECORATE PLATES BLACK. STAIN WOOD HANDRAIL. STAIN COLOR TBD.
4. METAL POSTS AT LANDINGS: REPAIR AS NEEDED. CLEAN & PAINT BLACK.
5. REPLACE MISSING METAL POST TOPPERS (TO MATCH EXISTING). CLEAN AND REPAIR EXISTING POST TOPPERS. PAINT - COLOR TBD
6. NEW GUARDRAIL SHALL BE INSTALLED ALONG WEST SIDE OF STAIR OPENING. DESIGN TO COMPLIMENT EXISTING.
7. NEW GUARDRAIL & HANDRAIL SHALL BE INSTALLED UP WEST SIDE OF STRINGER TO 3RD FLOOR. DESIGN TO COMPLIMENT EXISTING.

D PHOTO STAIR S2 - 2ND TO 3RD FLOOR
1/4"=1'-0"



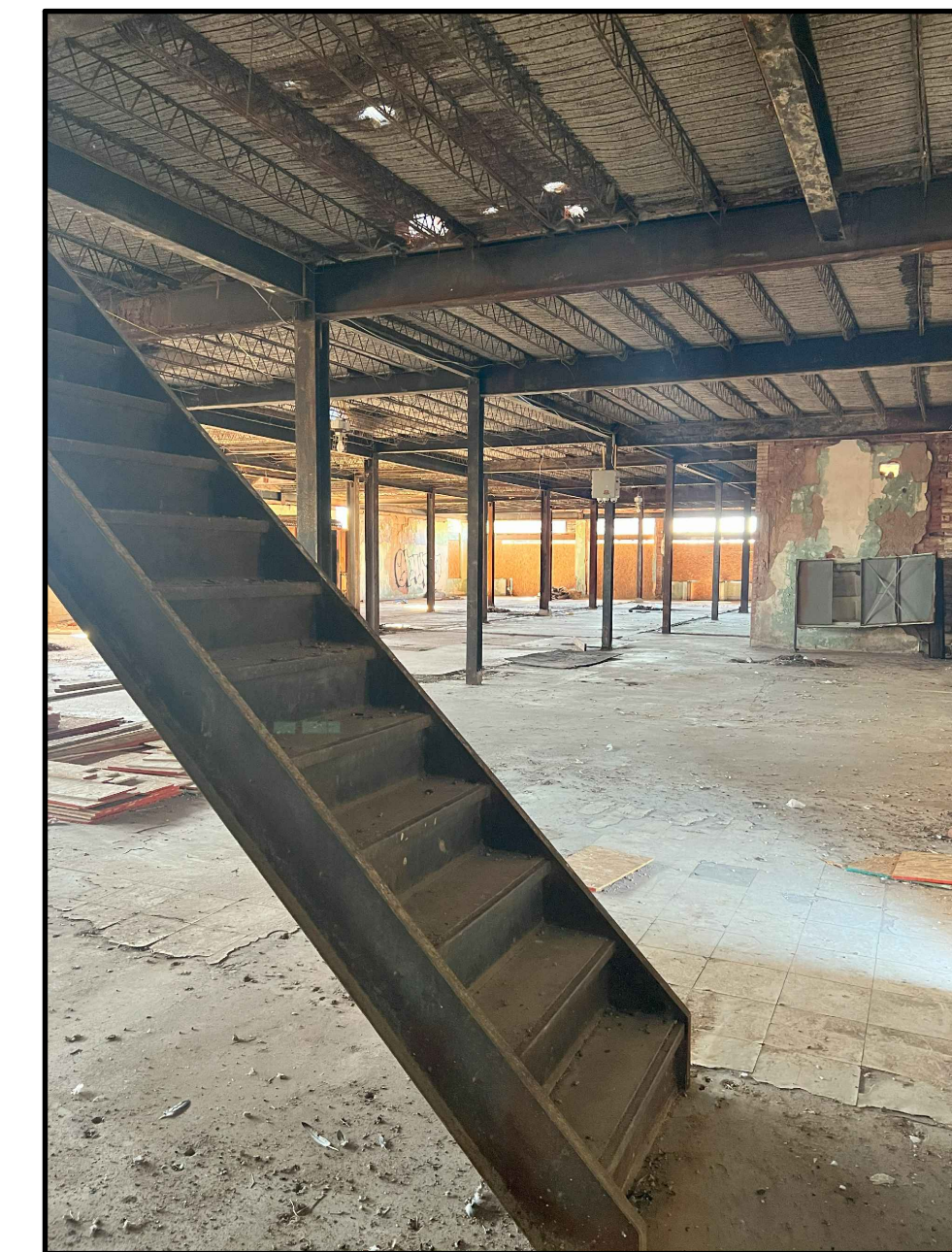
1. STRINGERS, RISERS, TREADS, PANS, HANDRAILS, ETC. FROM THE FIRST FLOOR TO THE 2ND FLOOR SHALL BE REMOVED. STAIR IS TOO STEEP TO BE SALVAGED. NEW STAIR WILL BE CONSTRUCTED IN AN "L" SHAPE. REFERENCES PLANS.
2. OPENING AT 2ND FLOOR SHALL BE RETAINED. NEW STAIR SHALL BE CONSTRUCTED USING THE EXISTING, HISTORIC OPENING IN THE FLOOR/STRUCTURE.
3. RAILING ALONG EAST SIDE OF STAIR: REPAIR, STRAIGHTEN AND REPLACE RAILS AS NEEDED. STABILIZE & STRENGTHEN ENTIRE SYSTEM. CLEAN ALL RAILS, DECORATIVE PLATES, AND WOOD HANDRAIL. PAINT RAILS & DECORATE PLATES BLACK. STAIN WOOD HANDRAIL. STAIN COLOR TBD.
4. METAL POSTS AT LANDINGS: REPAIR AS NEEDED. CLEAN & PAINT BLACK.
5. REPLACE MISSING METAL POST TOPPERS (TO MATCH EXISTING). CLEAN AND REPAIR EXISTING POST TOPPERS. PAINT - COLOR TBD
6. NEW GUARDRAIL SHALL BE INSTALLED ALONG WEST SIDE OF STAIR OPENING. DESIGN TO COMPLIMENT EXISTING.
7. NEW GUARDRAIL & HANDRAIL SHALL BE INSTALLED ALONG WEST SIDE OF STAIR OPENING. DESIGN TO COMPLIMENT EXISTING.

C PHOTO STAIR S2 - 2ND FLOOR
1/4"=1'-0"



1. STRINGERS, RISERS, TREADS, PANS, HANDRAILS, ETC. FROM THE FIRST FLOOR TO THE 2ND FLOOR SHALL BE REMOVED. STAIR IS TOO STEEP TO BE SALVAGED. NEW STAIR WILL BE CONSTRUCTED IN AN "L" SHAPE. REFERENCES PLANS.
2. OPENING AT 2ND FLOOR SHALL BE RETAINED. NEW STAIR SHALL BE CONSTRUCTED USING THE EXISTING, HISTORIC OPENING IN THE FLOOR/STRUCTURE.

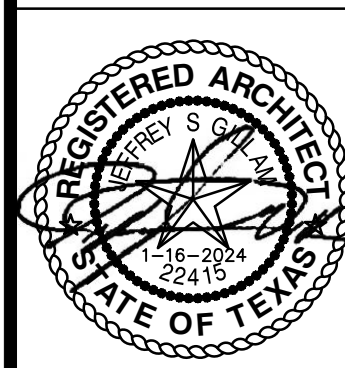
B PHOTO STAIR S2 - 1ST TO 2ND FLOOR
1/4"=1'-0"



1. STRINGERS, RISERS, TREADS, PANS, HANDRAILS, ETC. FROM THE FIRST FLOOR TO THE 2ND FLOOR SHALL BE REMOVED. STAIR IS TOO STEEP TO BE SALVAGED. NEW STAIR WILL BE CONSTRUCTED IN AN "L" SHAPE. REFERENCES PLANS.
2. OPENING AT 2ND FLOOR SHALL BE RETAINED. NEW STAIR SHALL BE CONSTRUCTED USING THE EXISTING, HISTORIC OPENING IN THE FLOOR/STRUCTURE.

A PHOTO STAIR S2 - 1ST TO 2ND FLOOR
1/4"=1'-0"

STAIR S2



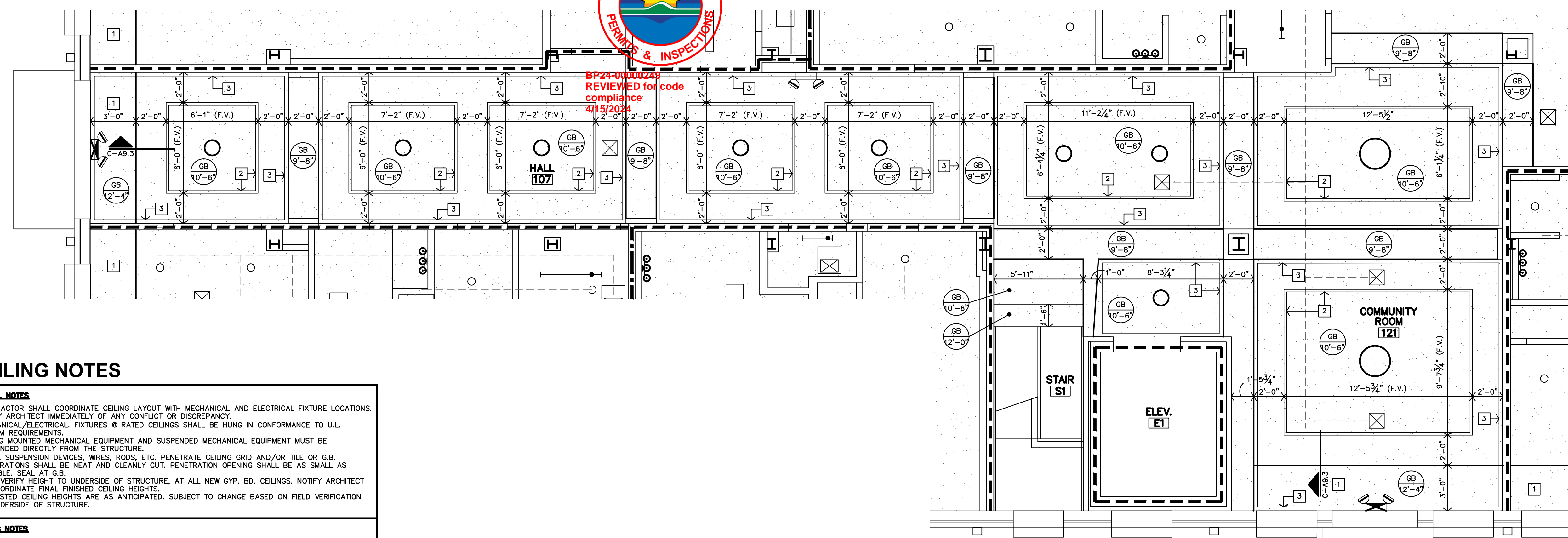
REVISION: _____
DATE: 1-16-2024
JOB: 22-3281
SHEET NO.:

A6.4

JGR
Jones Gillam Renz
1881 Main Street, Suite 301
Salina, KS 67401
785.827.0386
jgr@jgarchitects.com

ROOSEVELT LOFTS
HISTORIC REHABILITATION - APARTMENTS
SAN ANGELO, TEXAS

COPYRIGHTED



CEILING NOTES

GENERAL NOTES

- CONTRACTOR SHALL COORDINATE CEILING LAYOUT WITH MECHANICAL AND ELECTRICAL FIXTURE LOCATIONS. NOTIFY ARCHITECT IMMEDIATELY OF ANY CONFLICT OR DISCREPANCY.
- MECHANICAL/ELECTRICAL FIXTURES @ RATED CEILINGS SHALL BE HUNG IN CONFORMANCE TO U.L. SYSTEM REQUIREMENTS.
- CEILING MOUNTED MECHANICAL EQUIPMENT AND SUSPENDED MECHANICAL EQUIPMENT MUST BE SUSPENDED DIRECTLY FROM THE STRUCTURE.
- WHERE SUSPENSION DEVICES, WIRES, RODS, ETC. PENETRATE CEILING GRID AND/OR TILE OR G.B. PENETRATIONS SHALL BE NEAT AND CLEANLY CUT. PENETRATION OPENING SHALL BE AS SMALL AS POSSIBLE. SEAL AT G.B.
- FIELD VERIFY HEIGHT TO UNDERSIDE OF STRUCTURE, AT ALL NEW GYP. BD. CEILINGS. NOTIFY ARCHITECT TO COORDINATE FINAL FINISHED CEILING HEIGHTS.
- ALL LISTED CEILING HEIGHTS ARE AS ANTICIPATED. SUBJECT TO CHANGE BASED ON FIELD VERIFICATION OF UNDERSIDE OF STRUCTURE.

SPECIFIC NOTES

- RECESSED CEILING ALCOVE NEXT TO STOREFRONT & TRANSOM WINDOW.
- NEW CEILING-MOUNTED, 2" THICK ACCENT TRIM/MOLDING
- NEW CEILING CROWN MOLDING

CEILING TYPES	REFER SPECIFICATIONS	NON-RATED WALLS
GB GYP BD (PAINTED)		1/2 HOUR FIRE PARTITION; CORRIDOR
ST EXPOSED STRUCTURE		1 HOUR FIRE PARTITION; BETWEEN DWELLING UNITS
P EXIST./NEW PLASTER (PAINTED)		1 HOUR SHAFT WALL

SEAL VOIDS AT TOPS OF WALLS AND PENETRATIONS WITH U.L. LISTED FIRE BATT INSULATION, PILLOWS, AND/OR FIRE SEALANT AS REQUIRED BY CONDITION. AT RATED WALLS.

1	CLG. TYPE	INDICATES G.B. CEILING FINISH	INDICATES A LOWERED SOFFIT/CEILING AREA
2	CLG. HEIGHT (ASSUMED)		

B ENLARGED FIRST FLOOR REFLECTED CEILING PLAN
1/4"=1'-0"

CEILING NOTES

GENERAL NOTES

- CONTRACTOR SHALL COORDINATE CEILING LAYOUT WITH MECHANICAL AND ELECTRICAL FIXTURE LOCATIONS. NOTIFY ARCHITECT IMMEDIATELY OF ANY CONFLICT OR DISCREPANCY.
- MECHANICAL/ELECTRICAL FIXTURES @ RATED CEILINGS SHALL BE HUNG IN CONFORMANCE TO U.L. SYSTEM REQUIREMENTS.
- CEILING MOUNTED MECHANICAL EQUIPMENT AND SUSPENDED MECHANICAL EQUIPMENT MUST BE SUSPENDED DIRECTLY FROM THE STRUCTURE.
- WHERE SUSPENSION DEVICES, WIRES, RODS, ETC. PENETRATE CEILING GRID AND/OR TILE OR G.B. PENETRATIONS SHALL BE NEAT AND CLEANLY CUT. PENETRATION OPENING SHALL BE AS SMALL AS POSSIBLE. SEAL AT G.B.
- FIELD VERIFY HEIGHT TO UNDERSIDE OF STRUCTURE, AT ALL NEW GYP. BD. CEILINGS. NOTIFY ARCHITECT TO COORDINATE FINAL FINISHED CEILING HEIGHTS.
- ALL LISTED CEILING HEIGHTS ARE AS ANTICIPATED. SUBJECT TO CHANGE BASED ON FIELD VERIFICATION OF UNDERSIDE OF STRUCTURE.

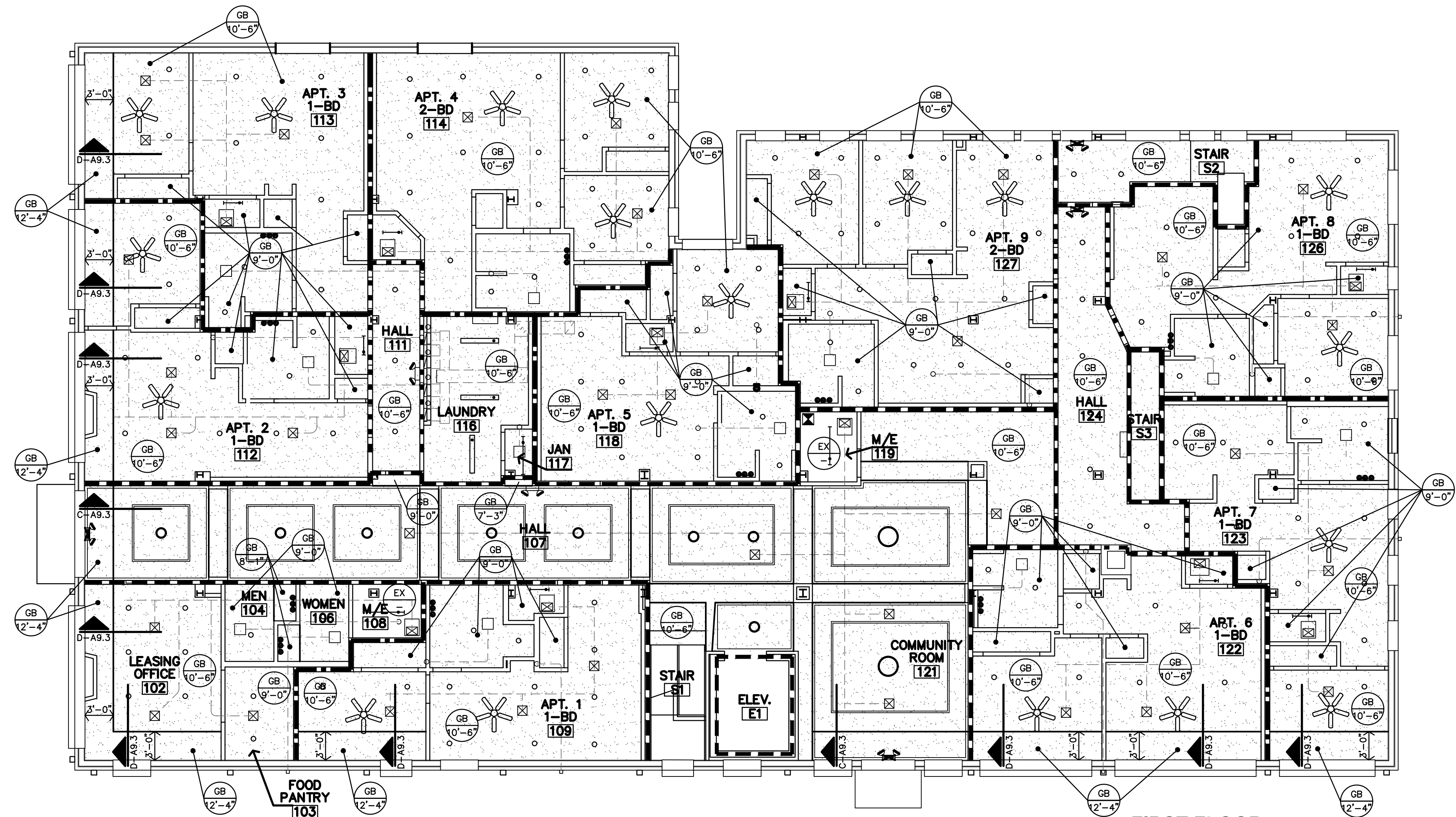
SPECIFIC NOTES

- RECESSED CEILING ALCOVE NEXT TO STOREFRONT & TRANSOM WINDOW.
- NEW CEILING-MOUNTED, 2" THICK ACCENT TRIM/MOLDING
- NEW CEILING CROWN MOLDING

CEILING TYPES	REFER SPECIFICATIONS	NON-RATED WALLS
GB GYP BD (PAINTED)		1/2 HOUR FIRE PARTITION; CORRIDOR
ST EXPOSED STRUCTURE		1 HOUR FIRE PARTITION; BETWEEN DWELLING UNITS
P EXIST./NEW PLASTER (PAINTED)		1 HOUR SHAFT WALL

SEAL VOIDS AT TOPS OF WALLS AND PENETRATIONS WITH U.L. LISTED FIRE BATT INSULATION, PILLOWS, AND/OR FIRE SEALANT AS REQUIRED BY CONDITION. AT RATED WALLS.

1	CLG. TYPE	INDICATES G.B. CEILING FINISH	INDICATES A LOWERED SOFFIT/CEILING AREA
2	CLG. HEIGHT (ASSUMED)		

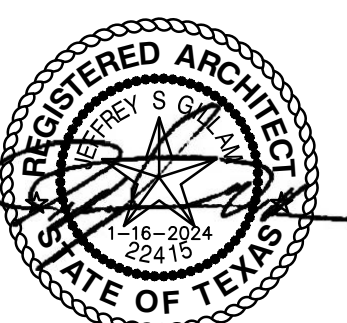


A FIRST FLOOR REFLECTED CEILING PLAN
1/8"=1'-0"

JonesGillamRenz
1881 Main Street, Suite 301
Salina, KS 67401
785.827.0386
jgr@jgarchitects.com



ROOSEVELT LOFTS
HISTORIC REHABILITATION - APARTMENTS
SAN ANGELO, TEXAS



REVISION:

DATE: 1-16-2024
JOB: 22-3281
SHEET NO.:

A7.1

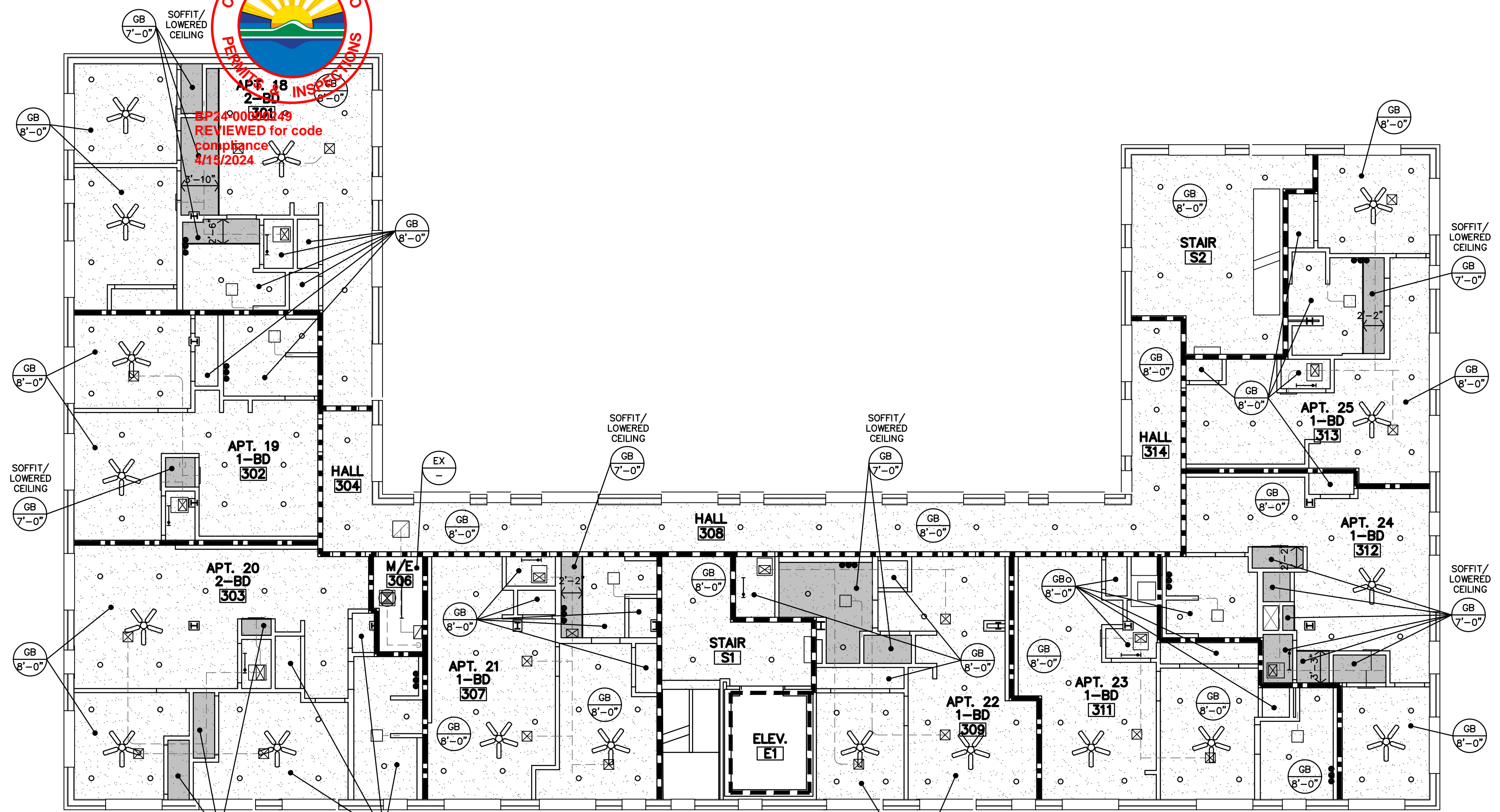
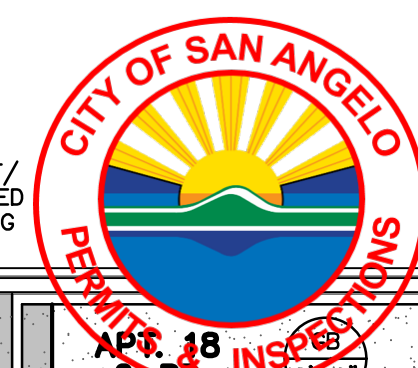
COPYRIGHTED

CEILING NOTES

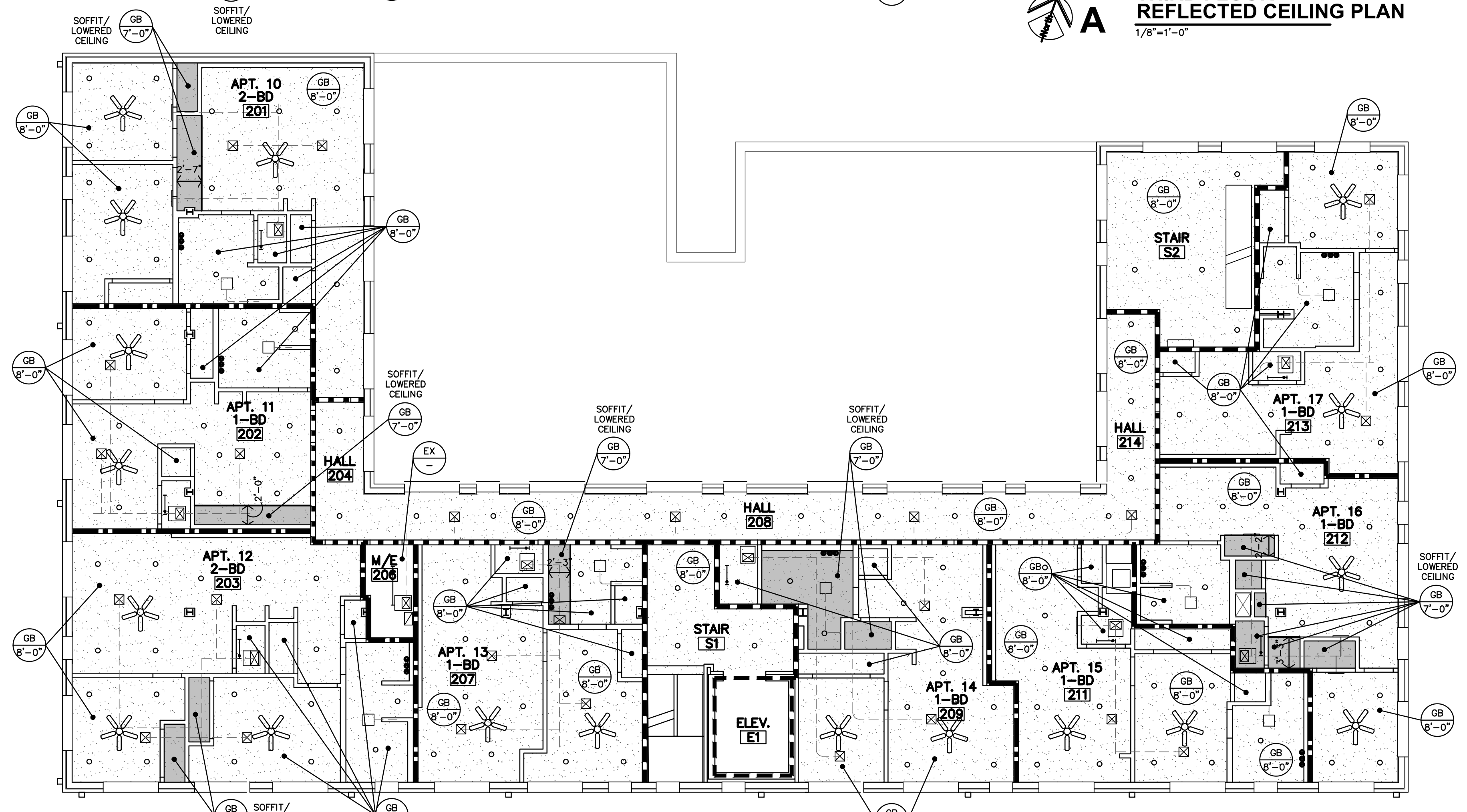
- GENERAL NOTES**
- CONTRACTOR SHALL COORDINATE CEILING LAYOUT WITH MECHANICAL AND ELECTRICAL FIXTURE LOCATIONS. NOTIFY ARCHITECT IMMEDIATELY OF ANY CONFLICT OR DISCREPANCY.
 - MECHANICAL/ELECTRICAL FIXTURES @ RATED CEILINGS SHALL BE HUNG IN CONFORMANCE TO U.L. SYSTEM REQUIREMENTS.
 - CEILING MOUNTED MECHANICAL EQUIPMENT AND SUSPENDED MECHANICAL EQUIPMENT MUST BE SUSPENDED DIRECTLY FROM THE STRUCTURE.
 - WHERE SUSPENSION DEVICES, WIRES, RODS, ETC. PENETRATE CEILING GRID AND/OR TILE OR G.B. PENETRATIONS SHALL BE NEAT AND CLEANLY CUT. PENETRATION OPENING SHALL BE AS SMALL AS POSSIBLE. SEAL AT G.B.
 - FIELD VERIFY HEIGHT TO UNDERSIDE OF STRUCTURE, AT ALL NEW GYP. BD. CEILINGS. NOTIFY ARCHITECT TO COORDINATE FINAL FINISHED CEILING HEIGHTS.
 - ALL LISTED CEILING HEIGHTS ARE AS ANTICIPATED. SUBJECT TO CHANGE BASED ON FIELD VERIFICATION OF UNDERSIDE OF STRUCTURE.

- SPECIFIC NOTES**
- RECESSED CEILING ALCOVE NEXT TO STOREFRONT & TRANSOM WINDOW.
 - NEW CEILING-MOUNTED, 2" THICK ACCENT TRIM/MOLDING
 - NEW CEILING CROWN MOLDING

CEILING TYPES		NON-RATED WALLS	
REFER SPECIFICATIONS		1/2 HOUR FIRE PARTITION; CORRIDOR	
GB	GYP. BD (PAINTED)	---	1 HOUR FIRE PARTITION; BETWEEN DWELLING UNITS
ST	EXPOSED STRUCTURE	---	1 HOUR SHAFT WALL
P	EXIST./NEW PLASTER (PAINTED)	---	SEAL VOIDS AT TOPS OF WALLS AND PENETRATIONS WITH U.L. LISTED FIRE BATT INSULATION, PILLOWS, AND/OR FIRE SEALANT AS REQUIRED BY CONDITION. AT RATED WALLS.
1	CLG. TYPE	---	INDICATES G.B. CEILING FINISH
8'-8"	CLG. HEIGHT (ASSUMED)	---	INDICATES A LOWERED SOFFIT/CEILING AREA



A THIRD FLOOR REFLECTED CEILING PLAN
1/8"=1'-0"



B SECOND FLOOR REFLECTED CEILING PLAN
3/32"=1'-0"

JonesGillamRenz
1881 Main Street, Suite 301
Kansas City, MO 64108
jgr@jgarchitects.com



ROOSEVELT LOFTS
HISTORIC REHABILITATION - APARTMENTS
SAN ANGELO, TEXAS



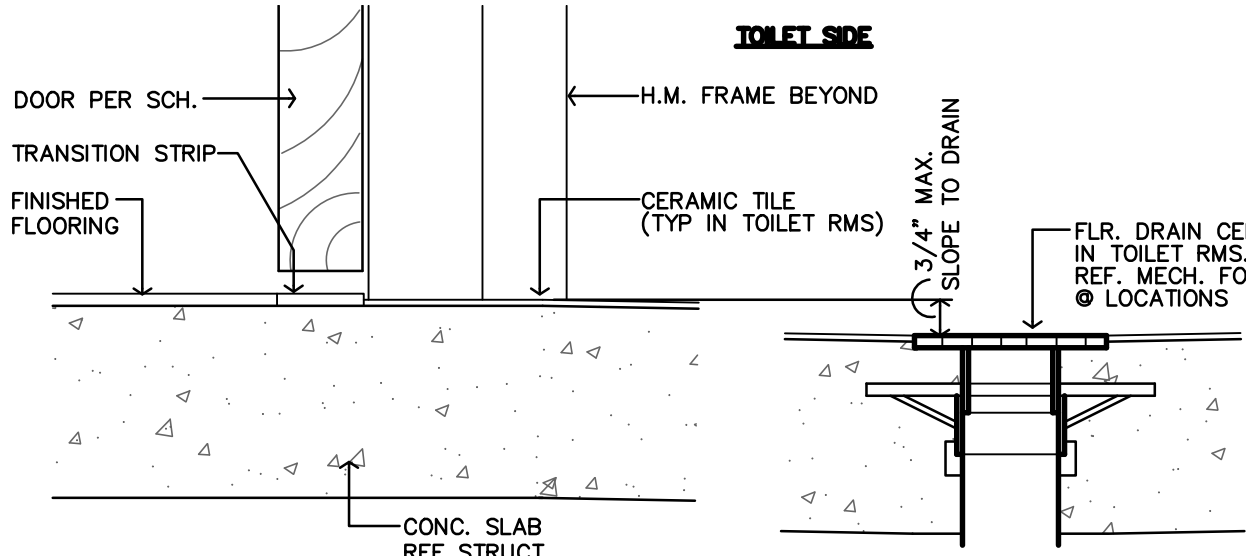
REVISION: _____
DATE: 1-16-2024
JOB: 22-3281
SHEET NO.:

A7.2

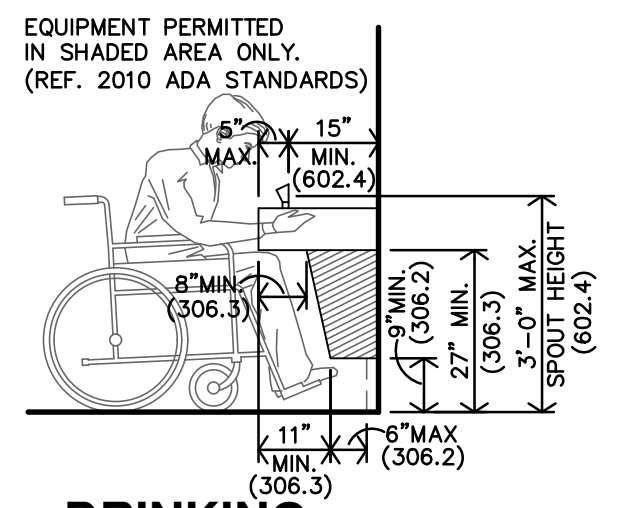
COPYRIGHTED ©



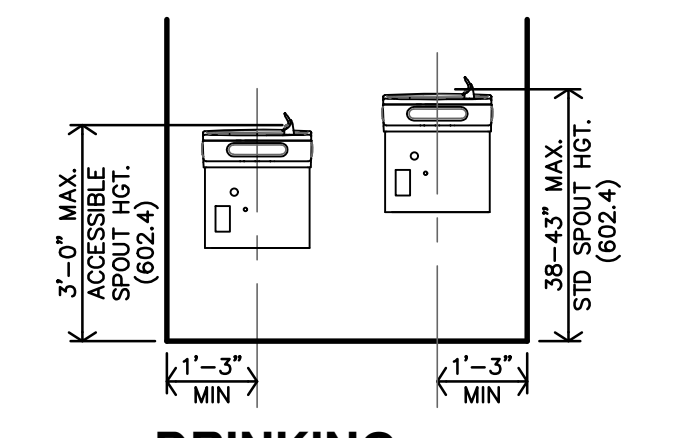
BP24-0000249
 REVIEWED for code
 compliance
 4/15/2024



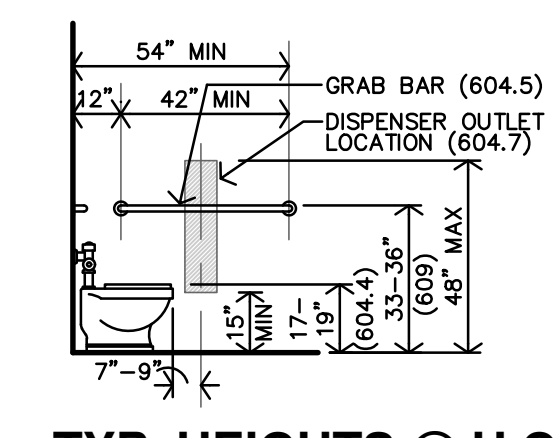
T FLOOR DRAIN DETAIL
 3/8"=1'-0"



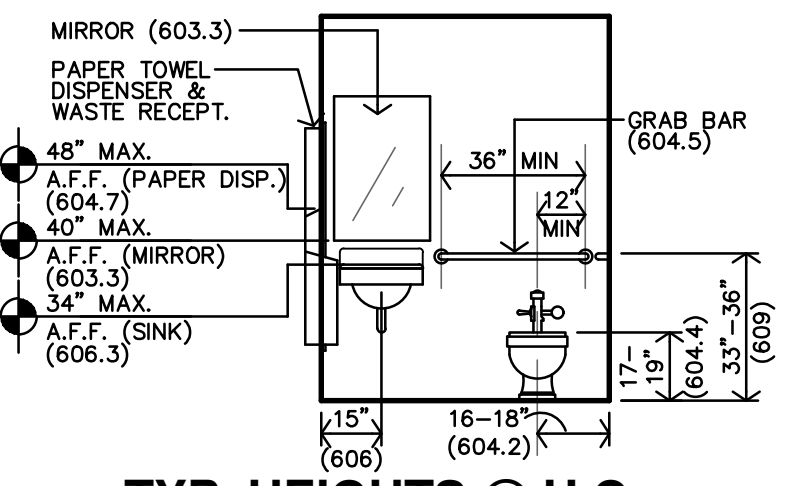
S DRINKING FOUNTAIN DETAIL
 3/8"=1'-0"
 FOR HC HEIGHTS & LOCATION ONLY



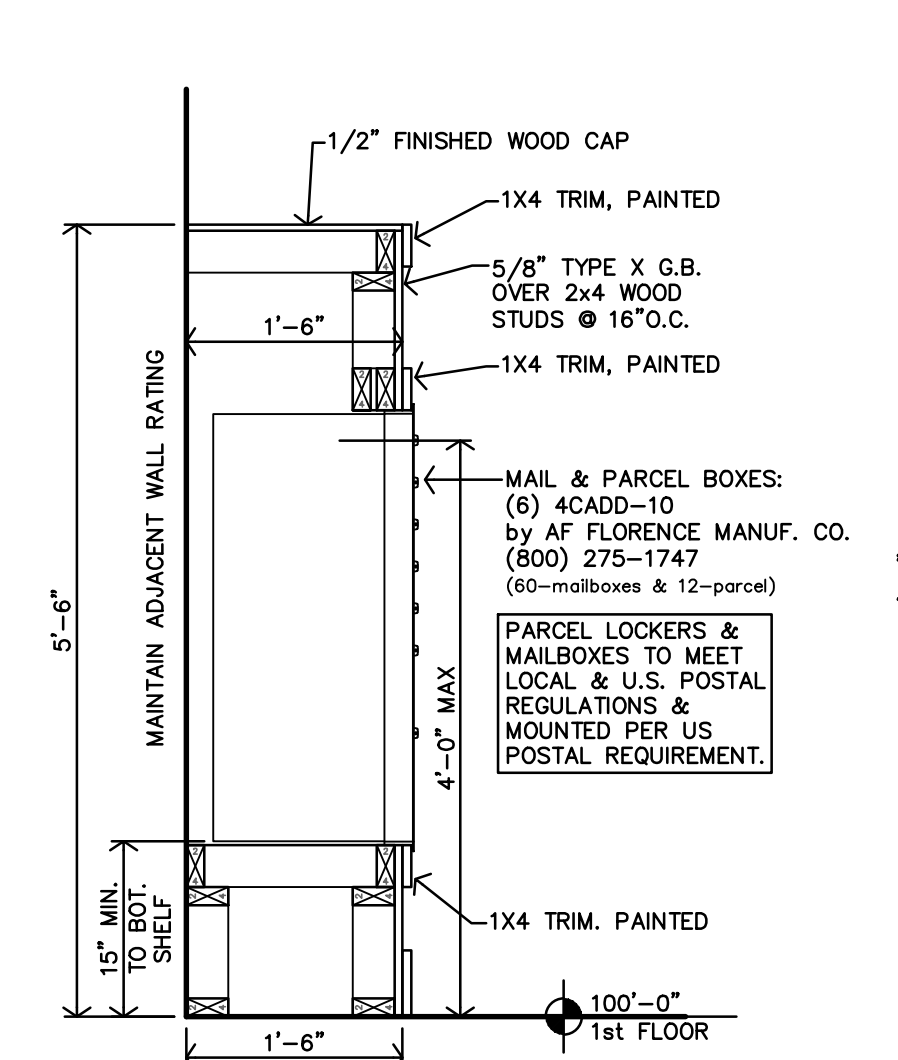
R DRINKING FOUNTAIN ELEVATION
 3/8"=1'-0"
 FOR HC HEIGHTS & LOCATION ONLY



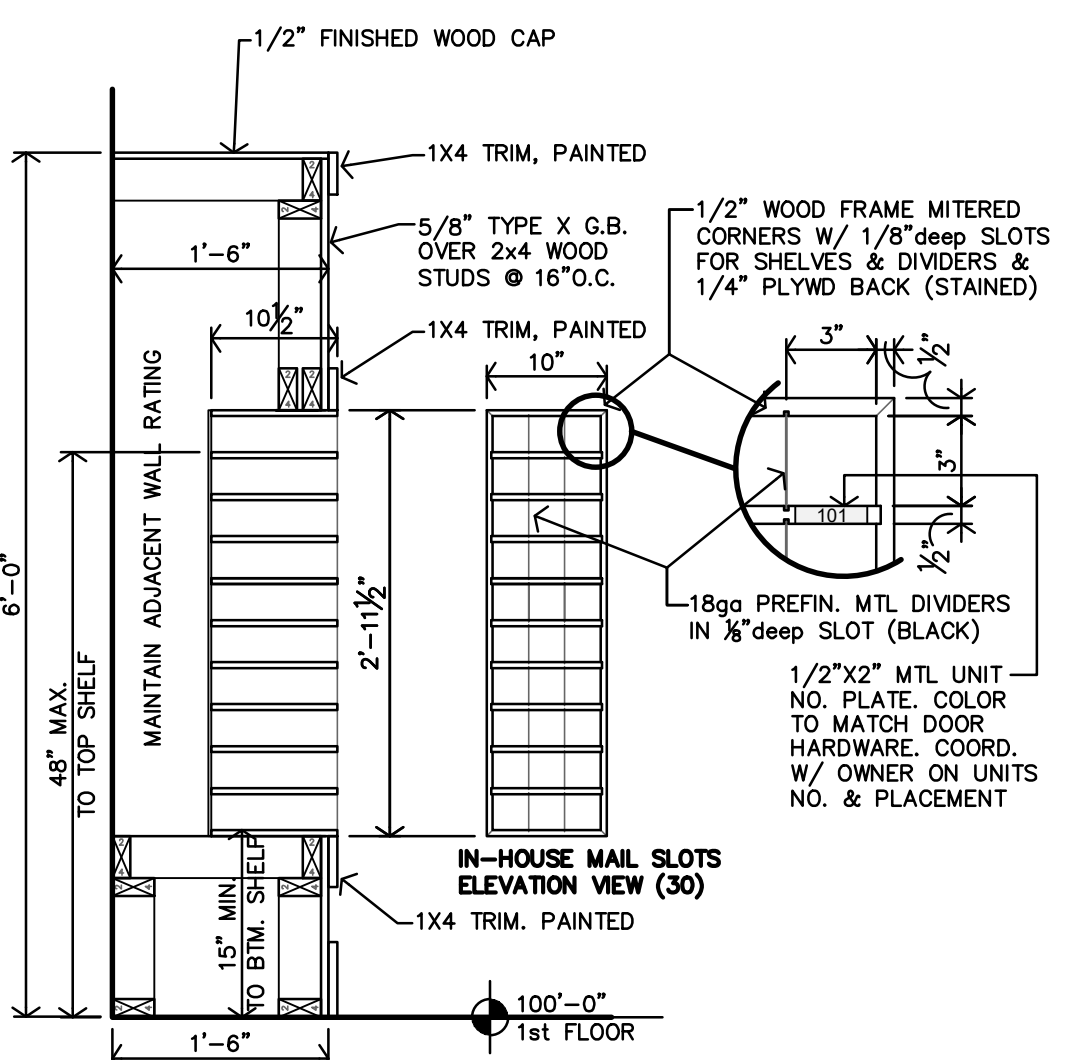
Q TYP. HEIGHTS @ H.C. TOILET SIDE WALL
 1/4"=1'-0"
 FOR HC HEIGHTS & LOCATION ONLY



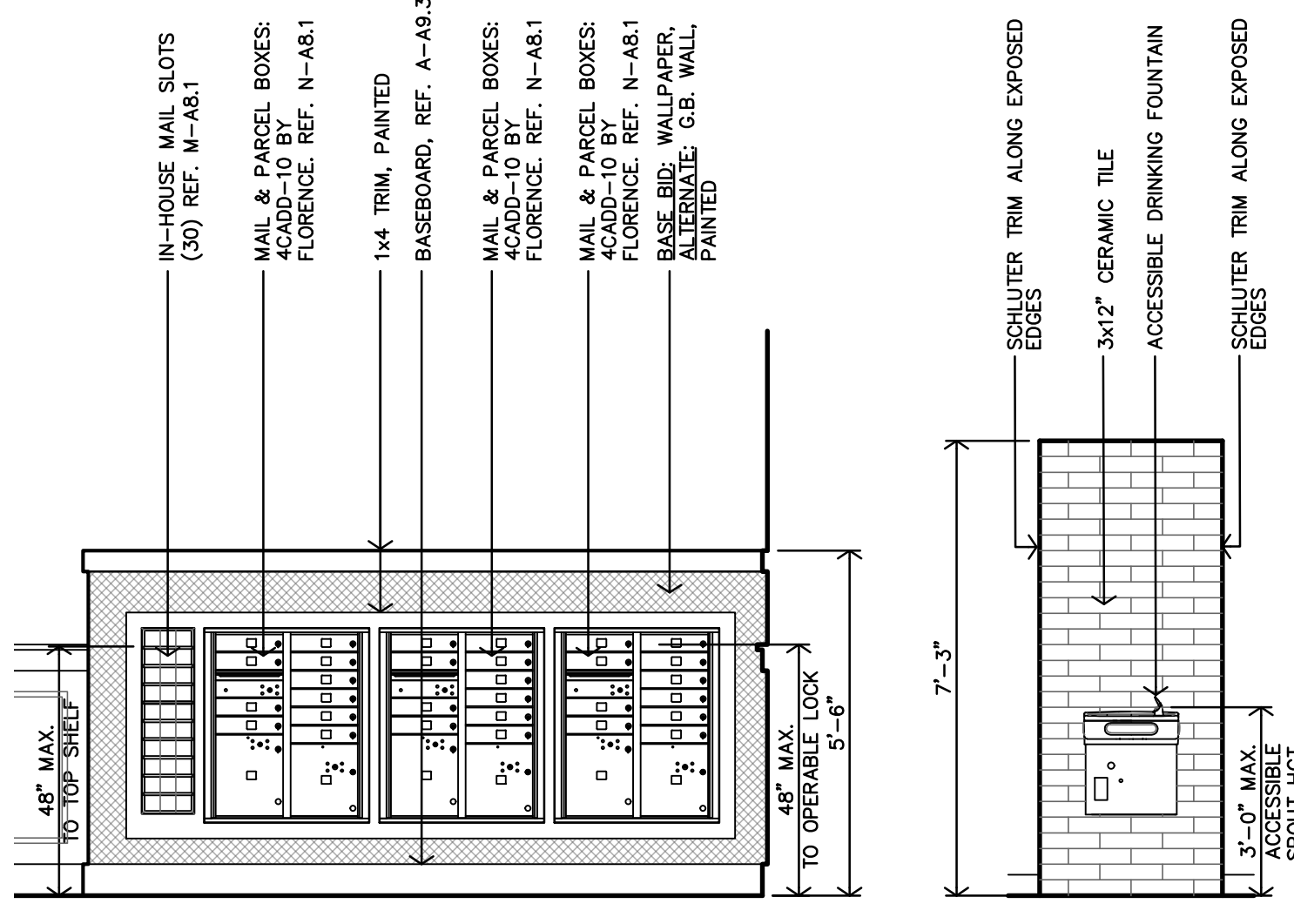
P TYP. HEIGHTS @ H.C. TOILET BACK WALL
 1/4"=1'-0"
 FOR HC HEIGHTS & LOCATION ONLY



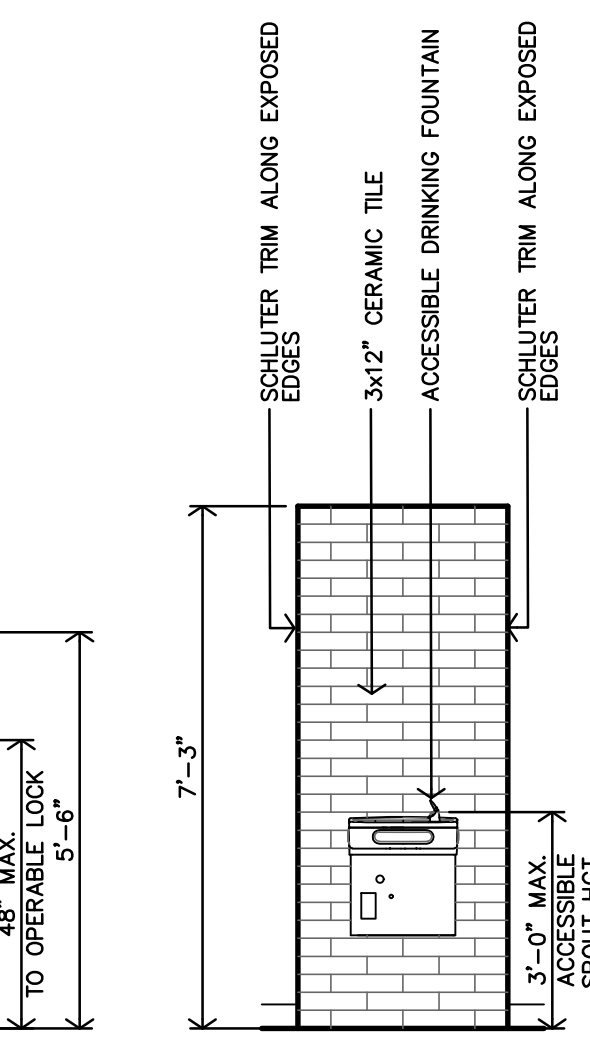
N WALL SECTION @ MAIL CENTER
 3/4"=1'-0"



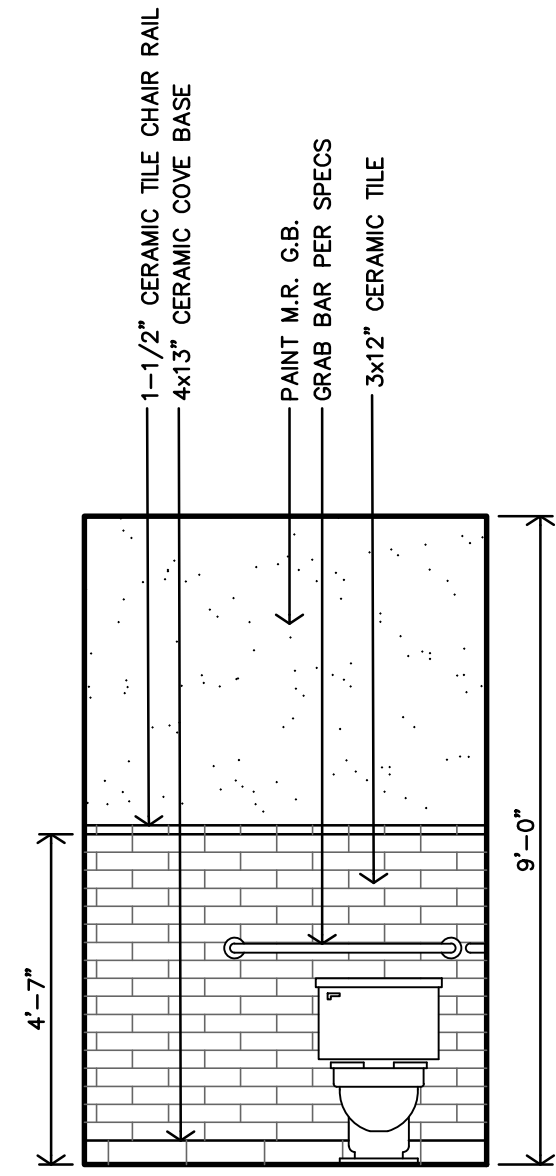
M IN-HOUSE MAIL SLOTS SECTION
 3/4"=1'-0"



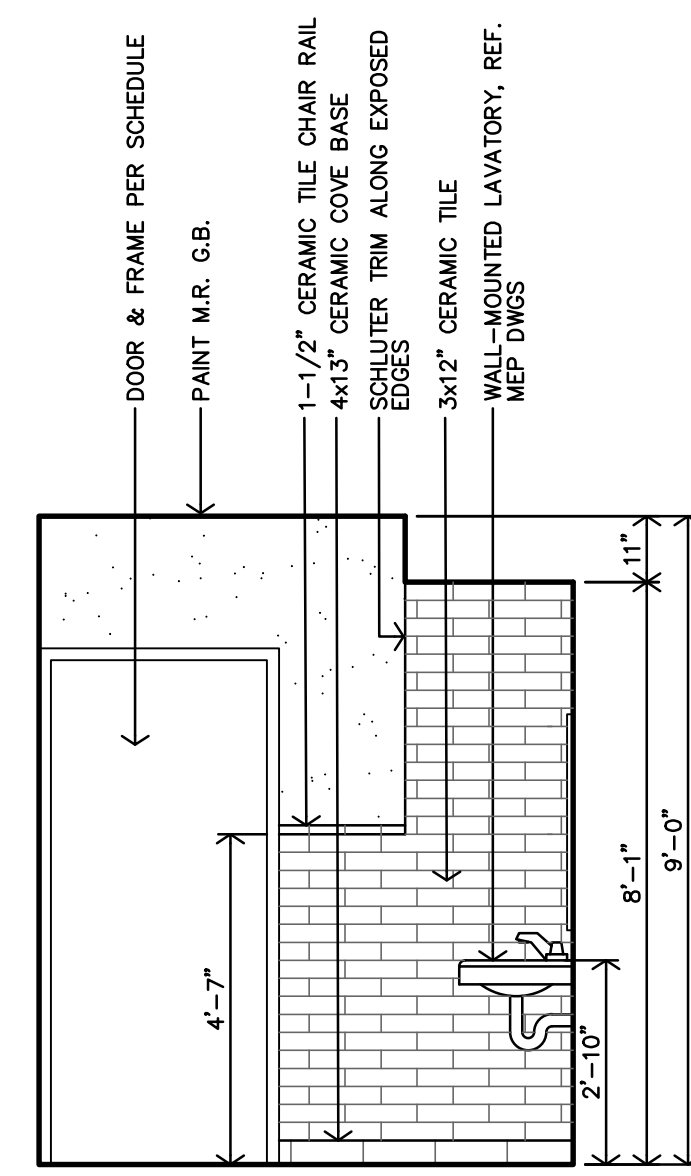
L MAIL CENTER INTERIOR ELEVATION
 3/8"=1'-0"



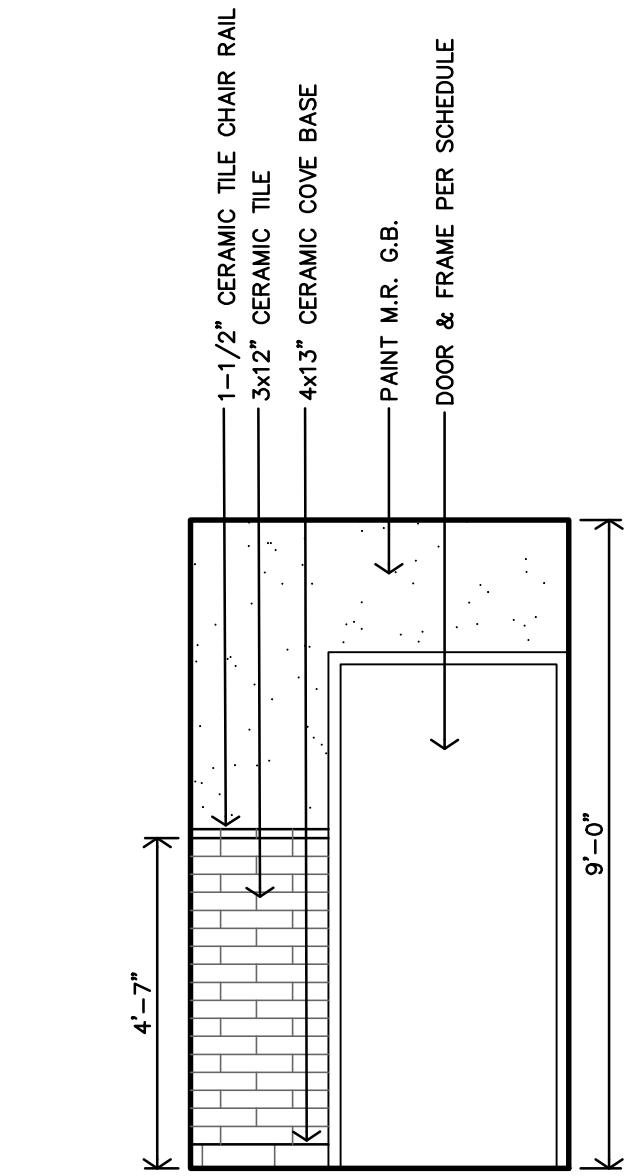
K HALL #107 INTERIOR ELEVATION
 3/8"=1'-0"



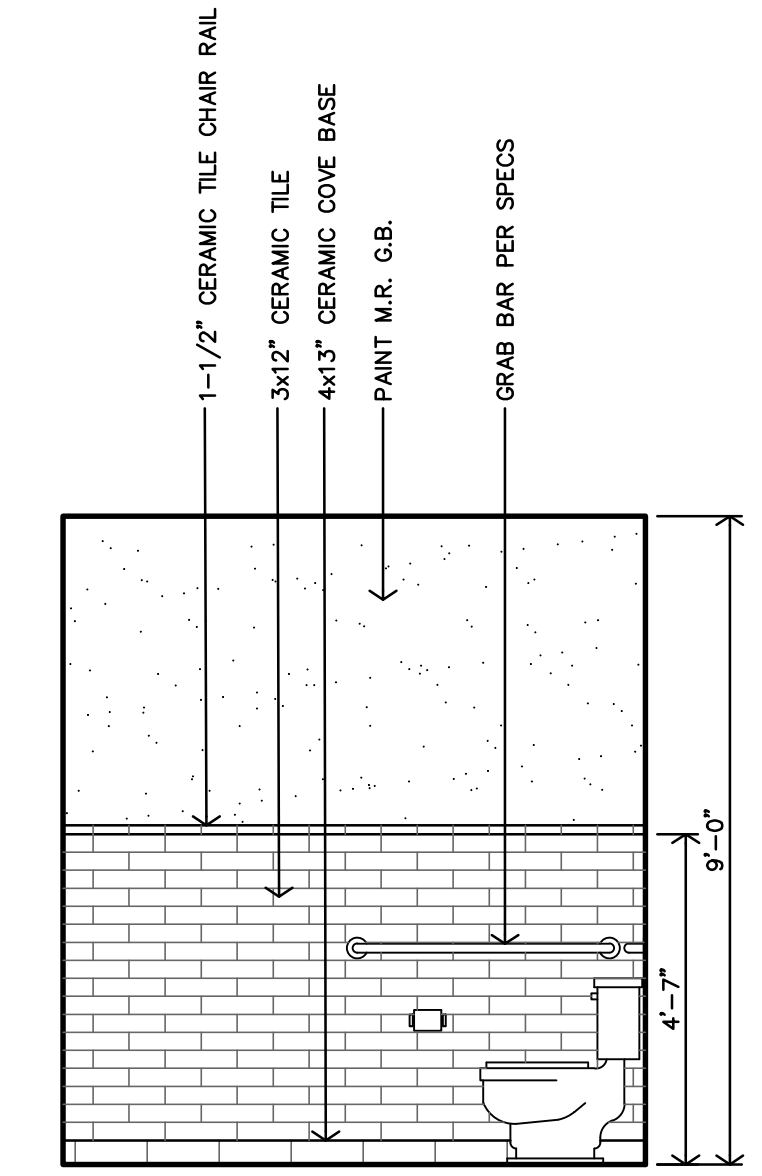
J MEN #104 INTERIOR ELEVATION
 3/8"=1'-0"



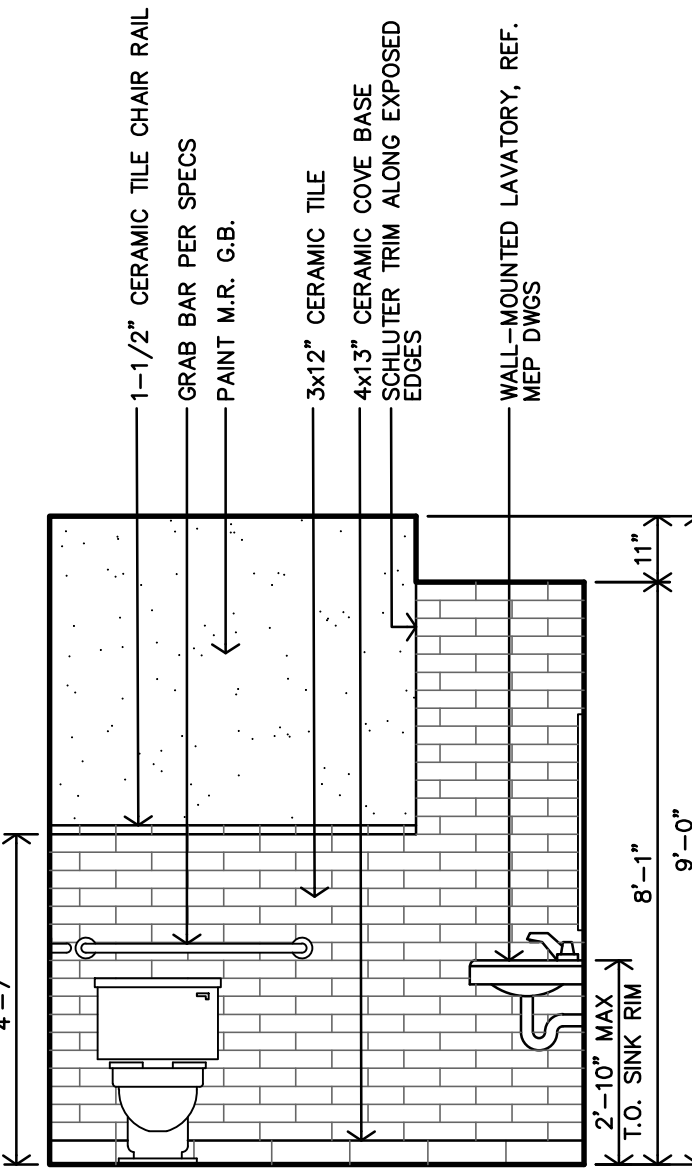
H MEN #104 INTERIOR ELEVATION
 3/8"=1'-0"



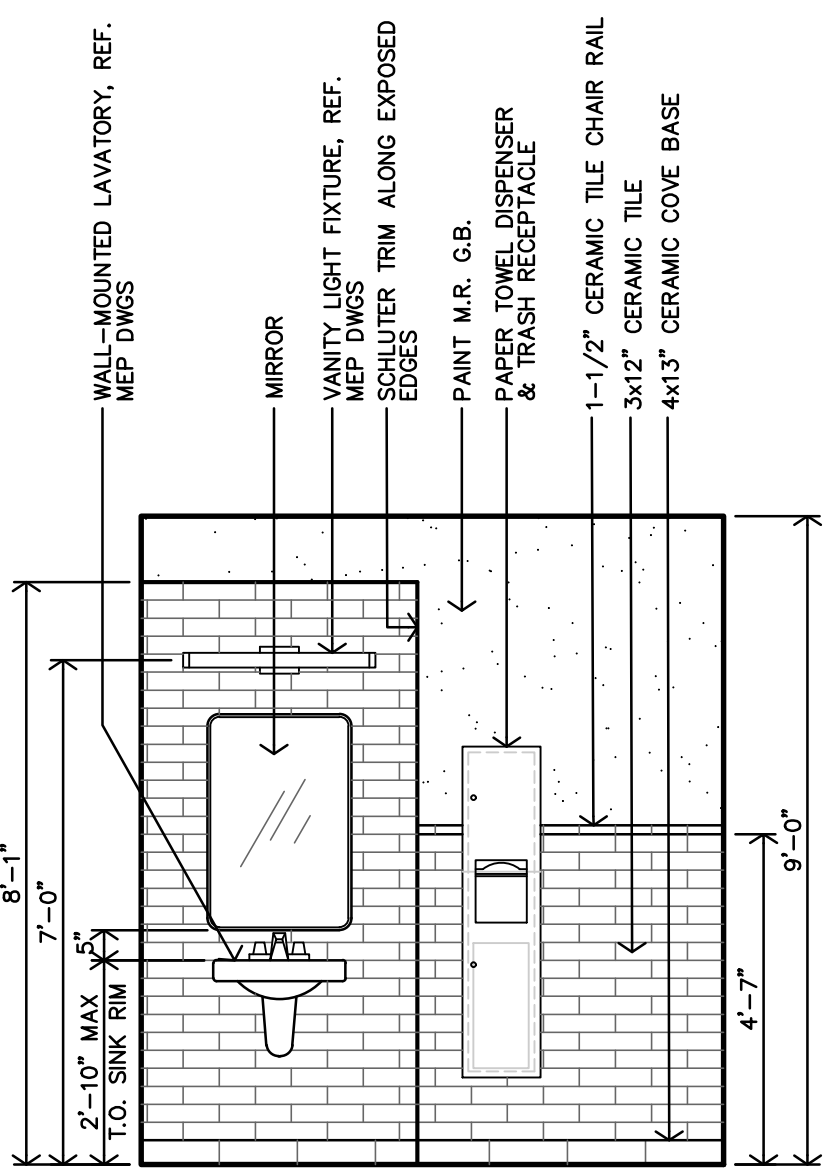
G WOMEN #106 INTERIOR ELEVATION
 3/8"=1'-0"



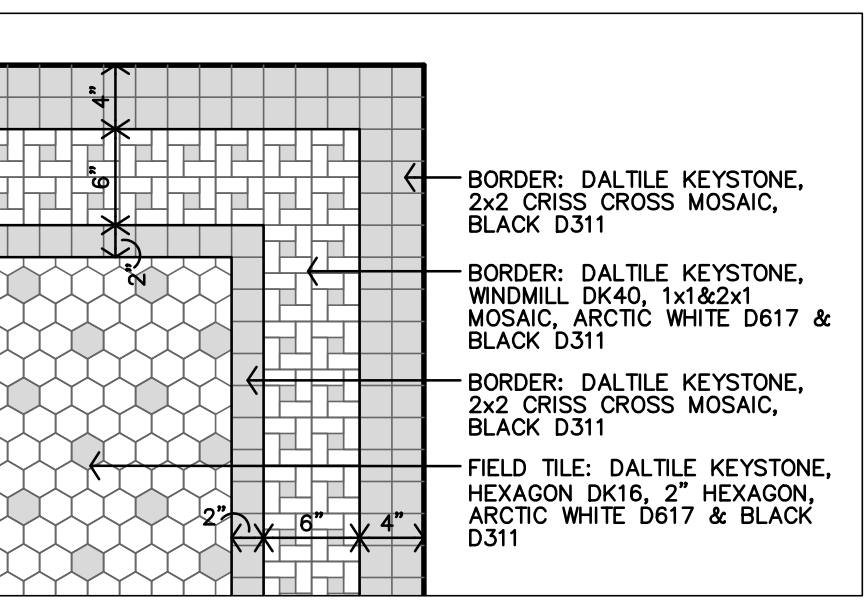
F WOMEN #106 INTERIOR ELEVATION
 3/8"=1'-0"
 MEN #104 MIRROR



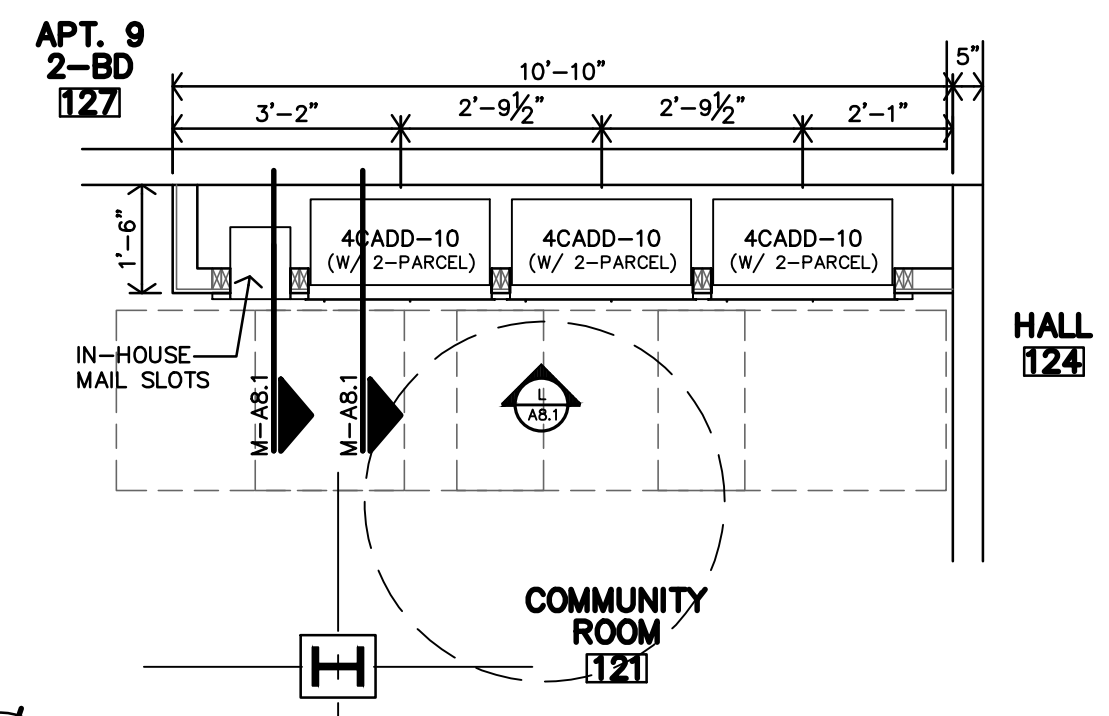
E WOMEN #106 INTERIOR ELEVATION
 3/8"=1'-0"



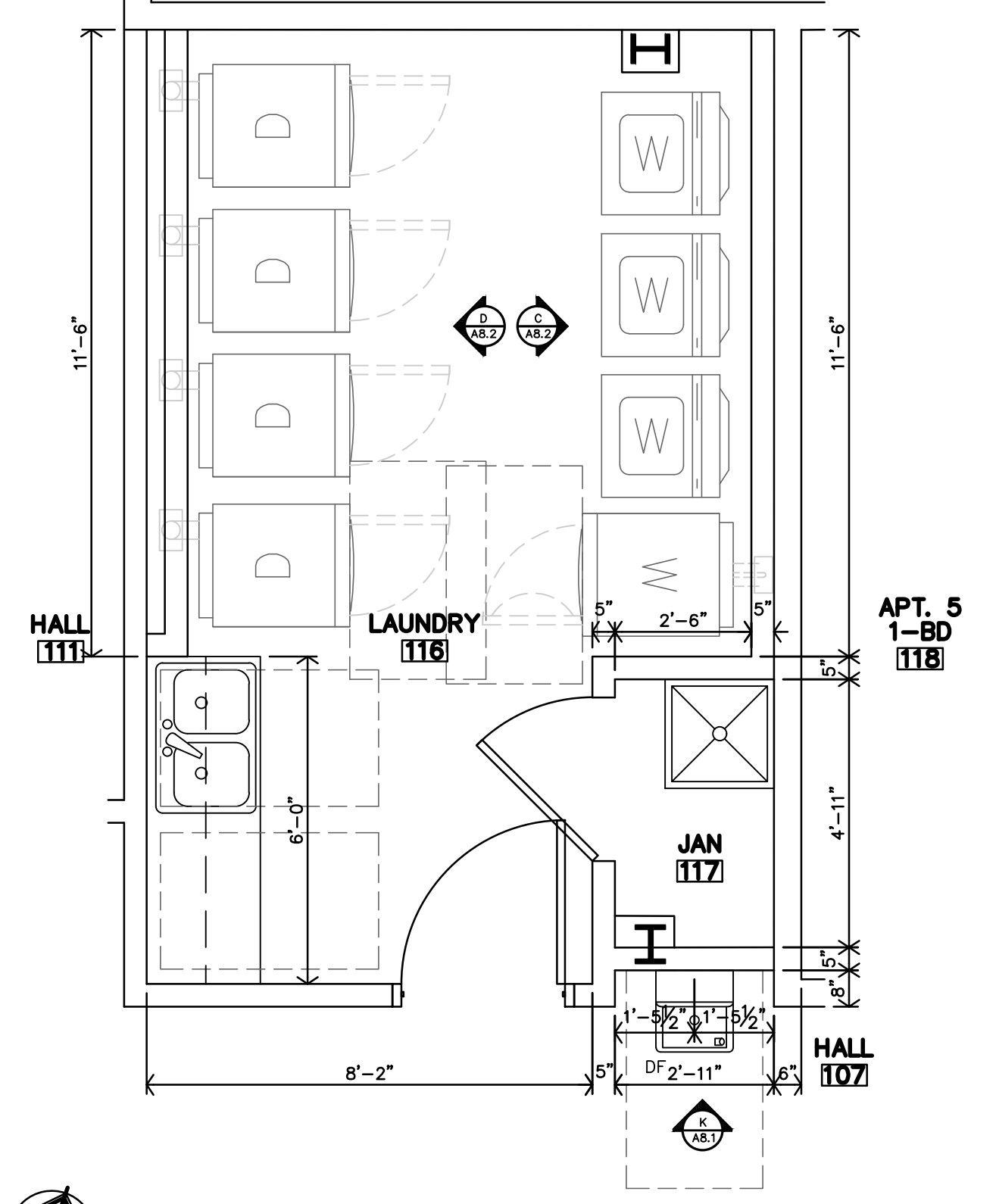
D WOMEN #106 INTERIOR ELEVATION
 3/8"=1'-0"
 MEN #104 MIRROR



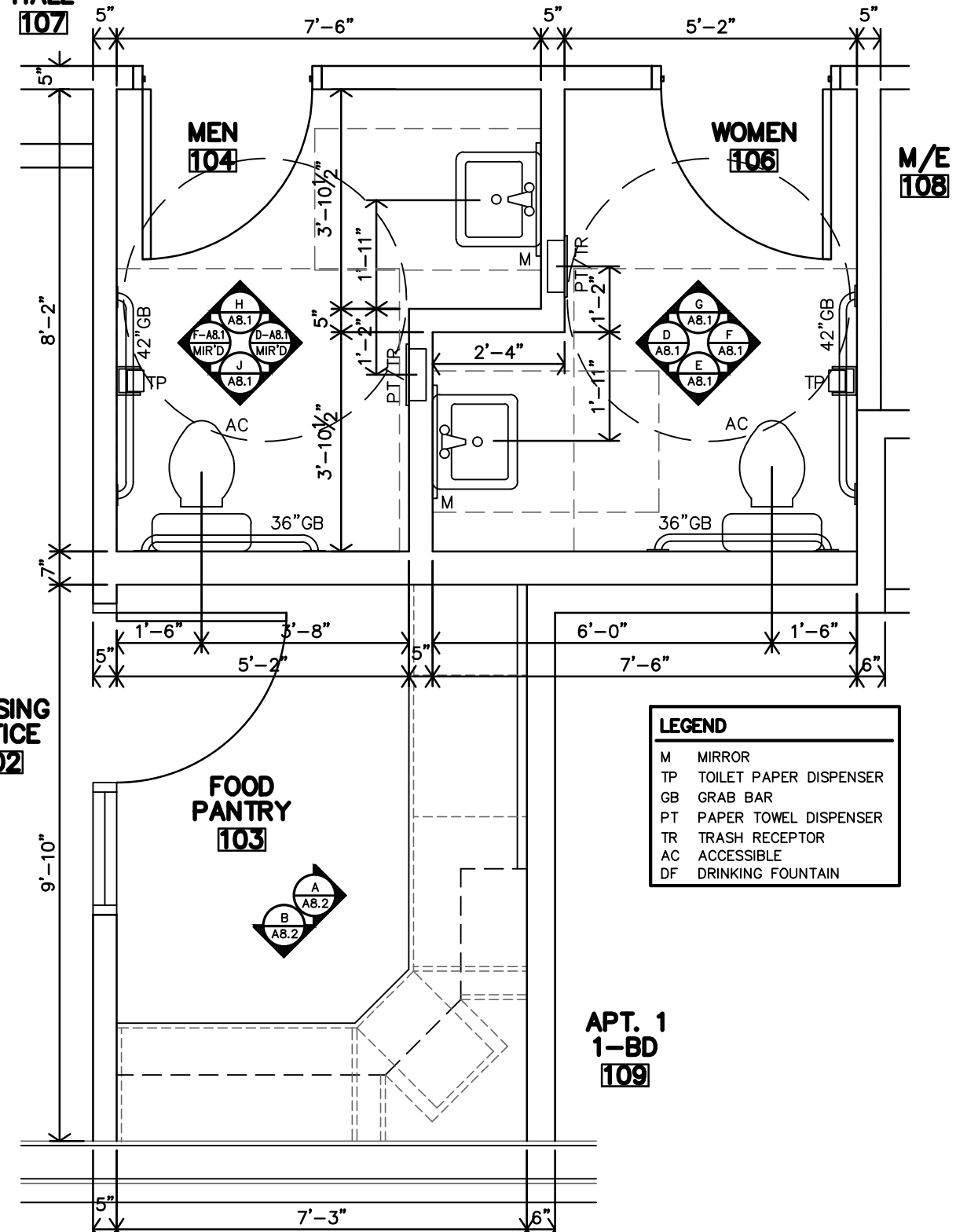
U MEN #104 & WOMEN #106 FLOOR TILE DETAIL
 1"=1'-0"



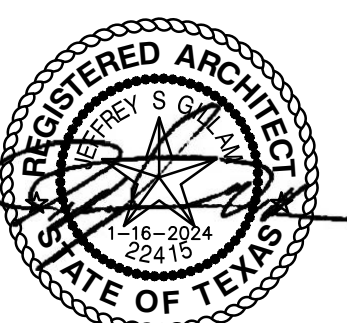
C ENLARGED MAIL CENTER PLAN
 3/8"=1'-0"



B ENLARGED PUBLIC LAUNDRY PLAN
 3/8"=1'-0"



A ENLARGED PUBLIC RESTROOM PLAN
 3/8"=1'-0"



REVISION:
 DATE: 1-16-2024
 JOB: 22-3281
 SHEET NO.:

A8.1

Jones Gillam Renz
 1881 Main Street, Suite 301
 Salina, KS 67401
 785.827.0386
 jgr@jgarchitects.com



ROOSEVELT LOFTS
 HISTORIC REHABILITATION - APARTMENTS
 SAN ANGELO, TEXAS

COPYRIGHTED

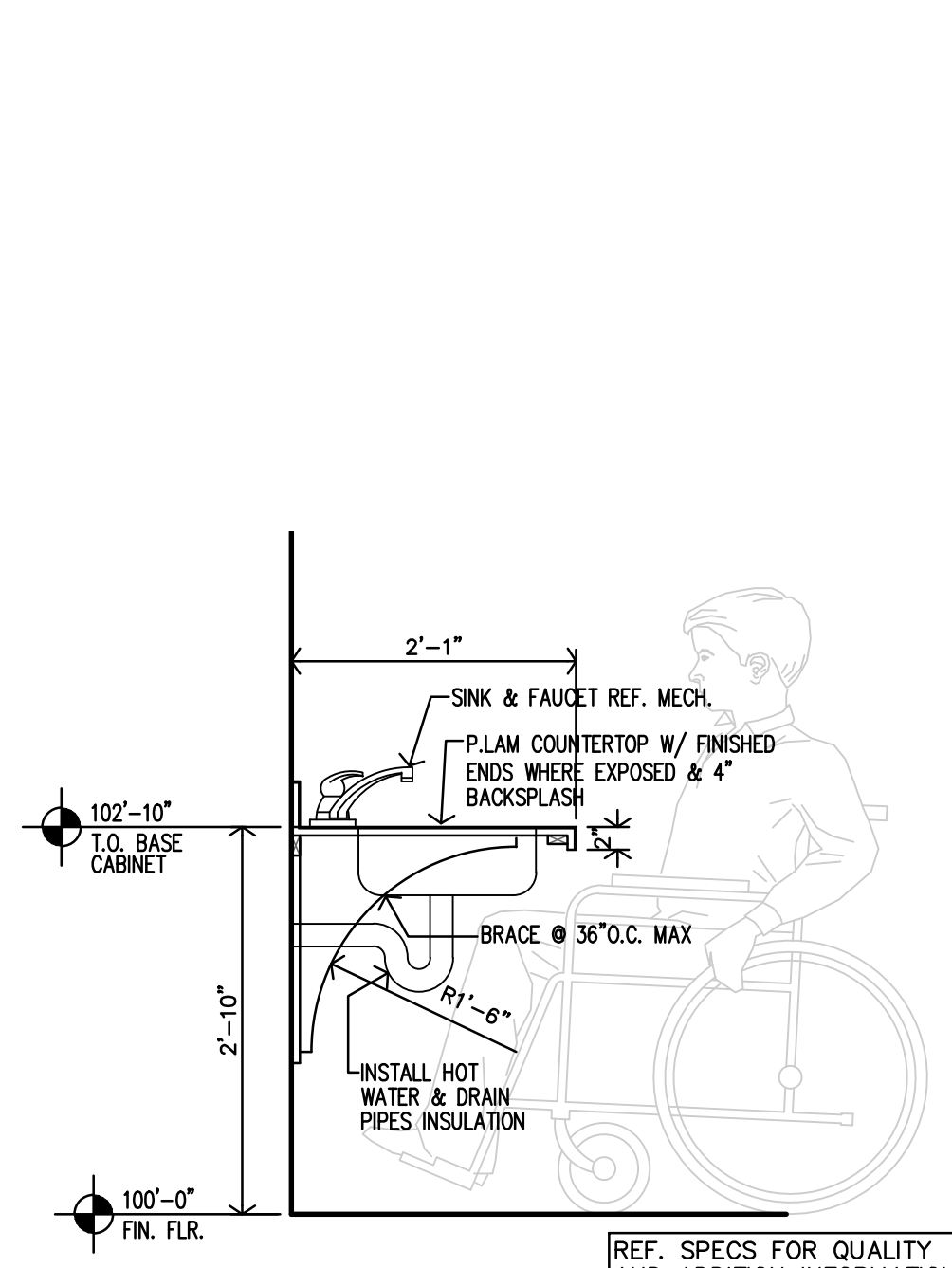


BP24-0000249
 REVIEWED for code
 compliance
 4/15/2024

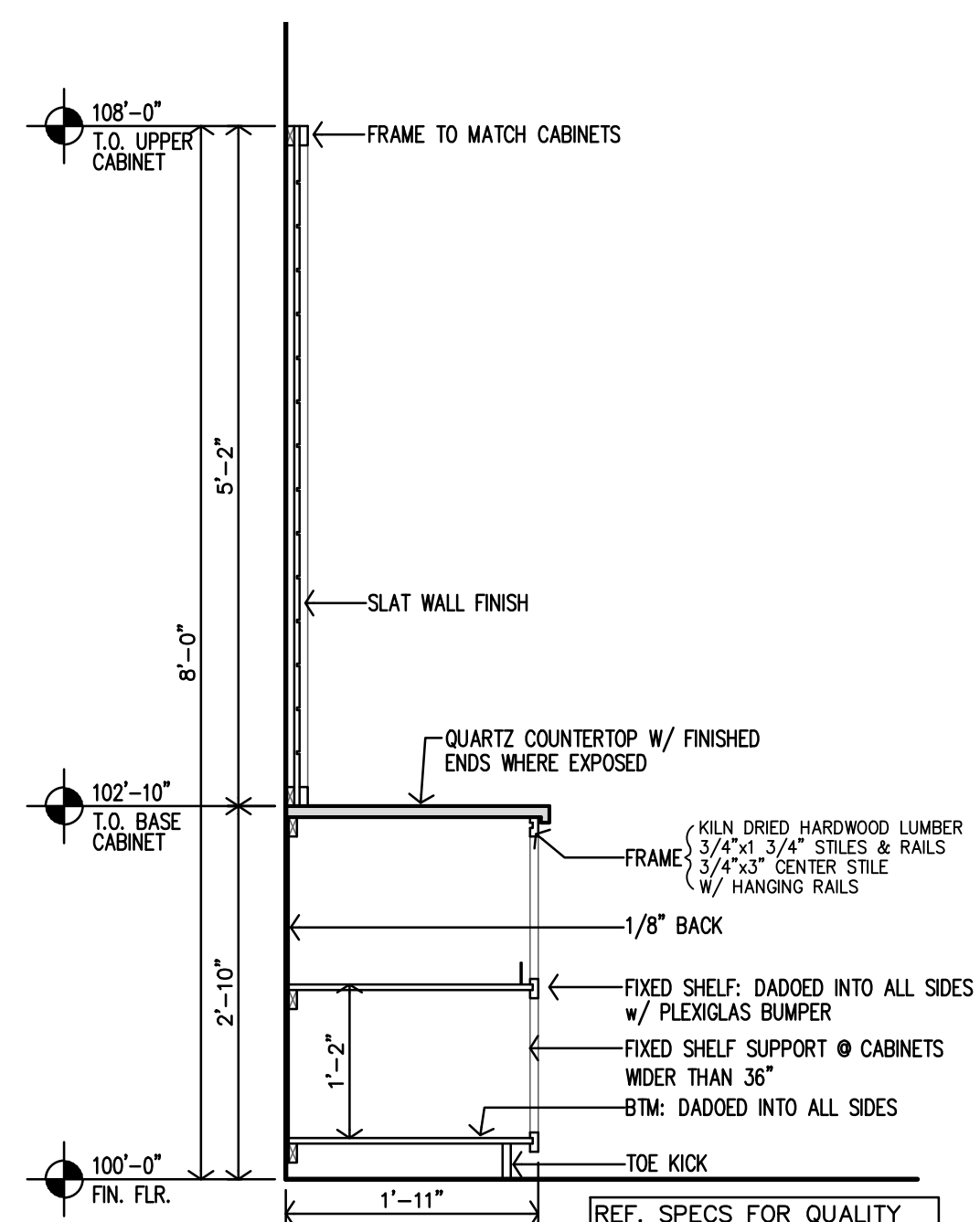
- ### CASEWORK NOTES
1. PLASTIC LAMINATE ON ALL EXPOSED SURFACES UNLESS NOTED OTHERWISE.
 2. PLASTIC LAMINATE AT ALL EXPOSED EDGES UNLESS NOTED OTHERWISE.
 3. ENTIRE CABINET DOOR (INTERIOR & EXTERIOR) TO BE PLASTIC LAMINATE.
 4. INTERIOR UNEXPOSED SURFACES TO BE "BLACK" MELAMINE UNLESS NOTED OTHERWISE.
 5. COUNTERTOPS & BACKSPLASHES TO BE PLASTIC LAMINATE W/ EASED EDGES.
 6. PROVIDE ALL NECESSARY FILLERS OF MATCHING MATERIALS. INSTALL CONTINUOUS FINISH FLOORING BASE @ CASEWORK TOE/KICK.
 7. ALL ADJUSTABLE SHELVING SHALL BE 3/4" THICK MATERIAL.
 8. ALL ADJUSTABLE UNEXPOSED MELAMINE SHELVING SHALL HAVE ALL FOUR EDGES TAPED.
 9. EXPOSED ADJUSTABLE SHELVING SHALL HAVE FULL THICKNESS PLASTIC LAMINATE AT ALL EXPOSED SURFACES AND ALL FOUR EDGES. TAPE IS NOT ACCEPTABLE.
 10. COUNTERTOPS SHALL RECEIVE 1/8" W x 3mm EDGE BAND.
 11. ALL UPPER CABINETS SHALL HAVE (2) ADJUSTABLE SHELVES PER EACH, UNLESS NOTED OTHERWISE.
 12. REFERENCE ELEVATIONS FOR NUMBER OF ADJUSTABLE SHELVES AT LOWER CABINET UNITS.
 13. STAINING AND PAINTING OF ALL HARDWOOD TRIM SHALL BE PER THE PAINTER.
 14. MULTIPLE LAMINATES (PREMIUM FINISHES AS WELL) WILL BE SELECTED BY ARCHITECT.
 15. CABINETS TO BE FLUSH OVERLAY UNLESS NOTED OTHERWISE.
 16. PROVIDE BLOCKING BEHIND WALL FOR SUPPORT OF CABINETRY.
 17. PROVIDE & INSTALL ANGLE SUPPORT BRACKETS WHERE COUNTERTOP SPAN EXCEEDS 36" IN WIDTH.



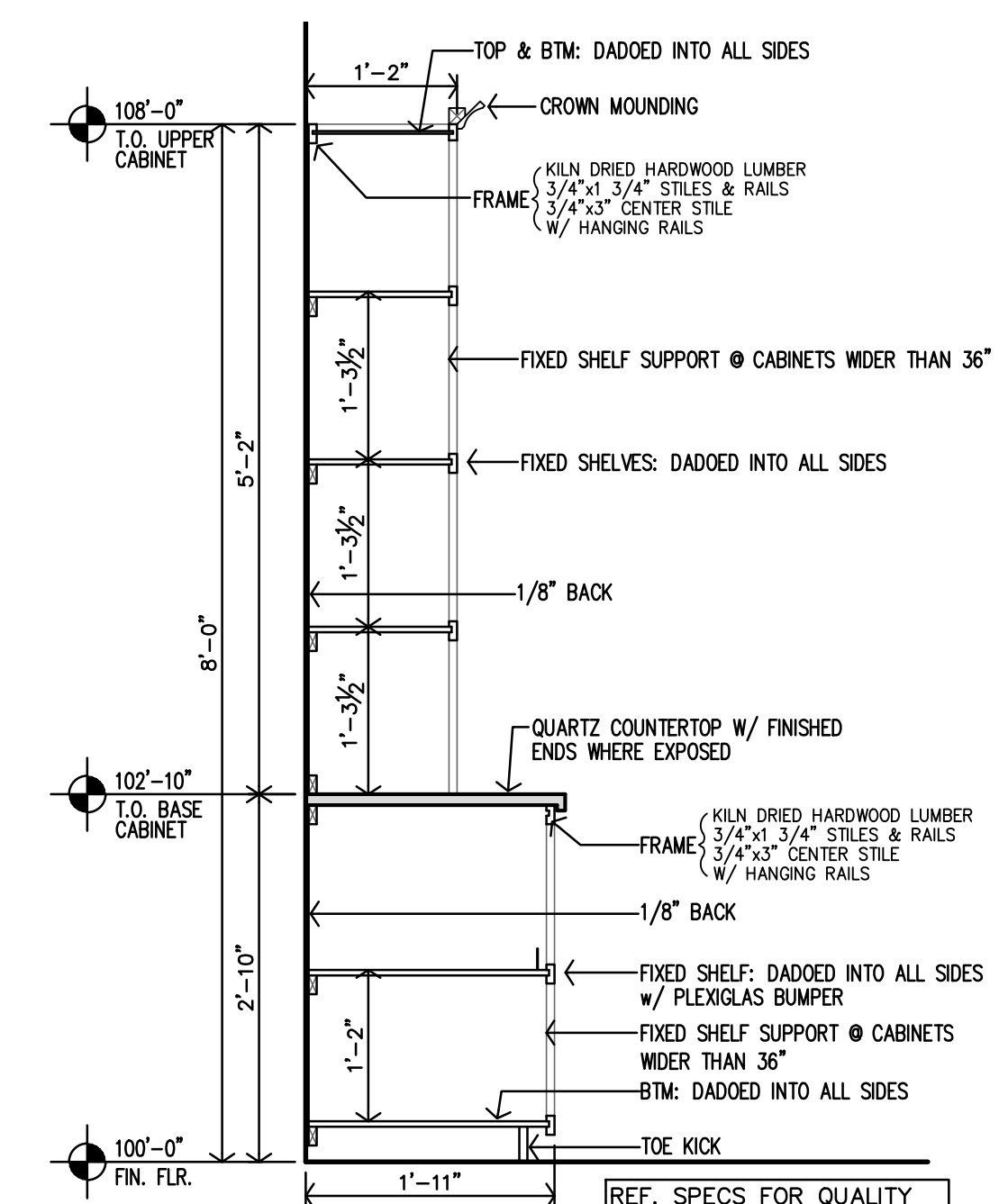
FOOD PANTRY #103 CASEWORK INSPIRATION



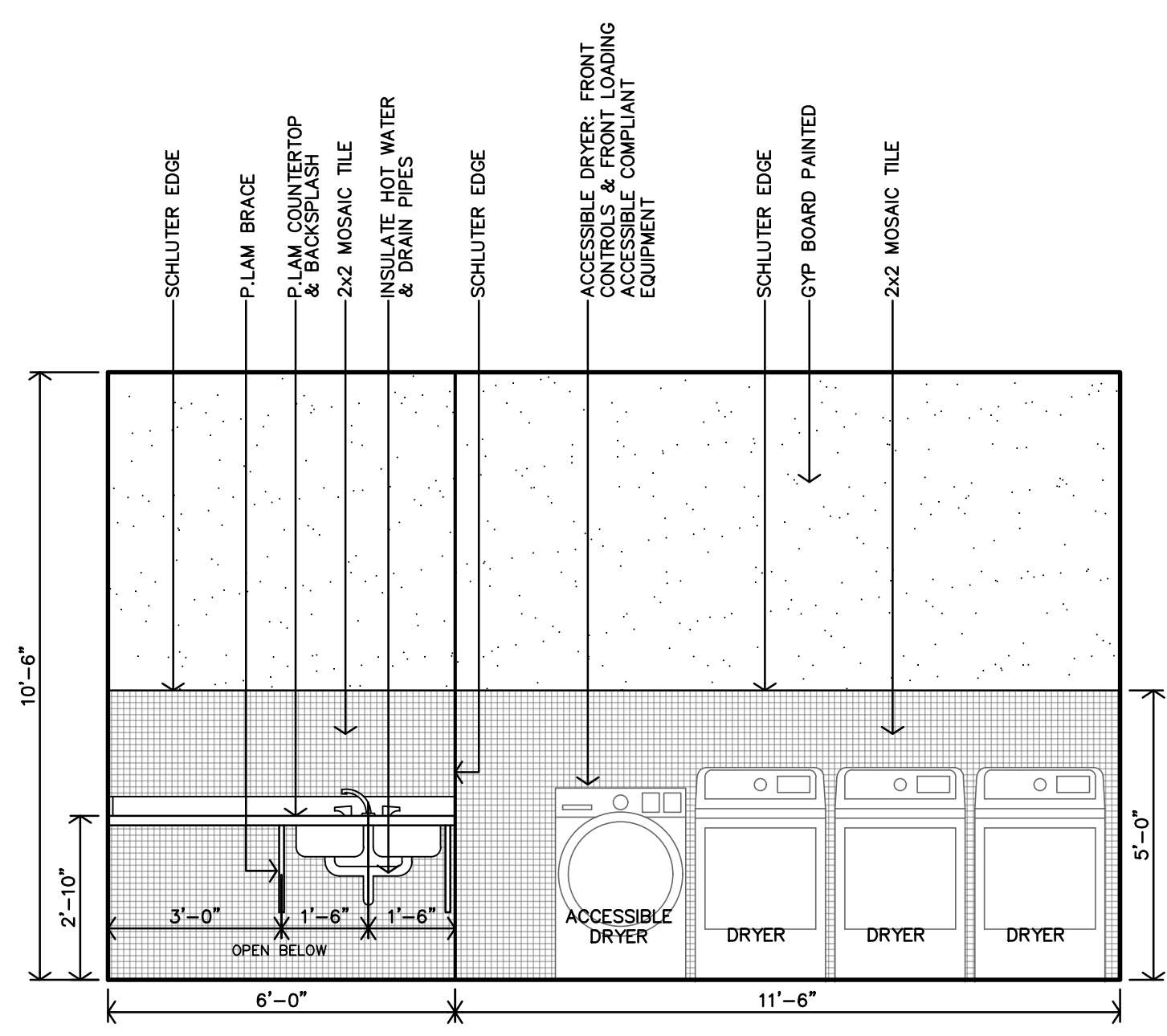
G LAUNDRY #116 CASEWORK SECTION
 3/8"=1'-0"



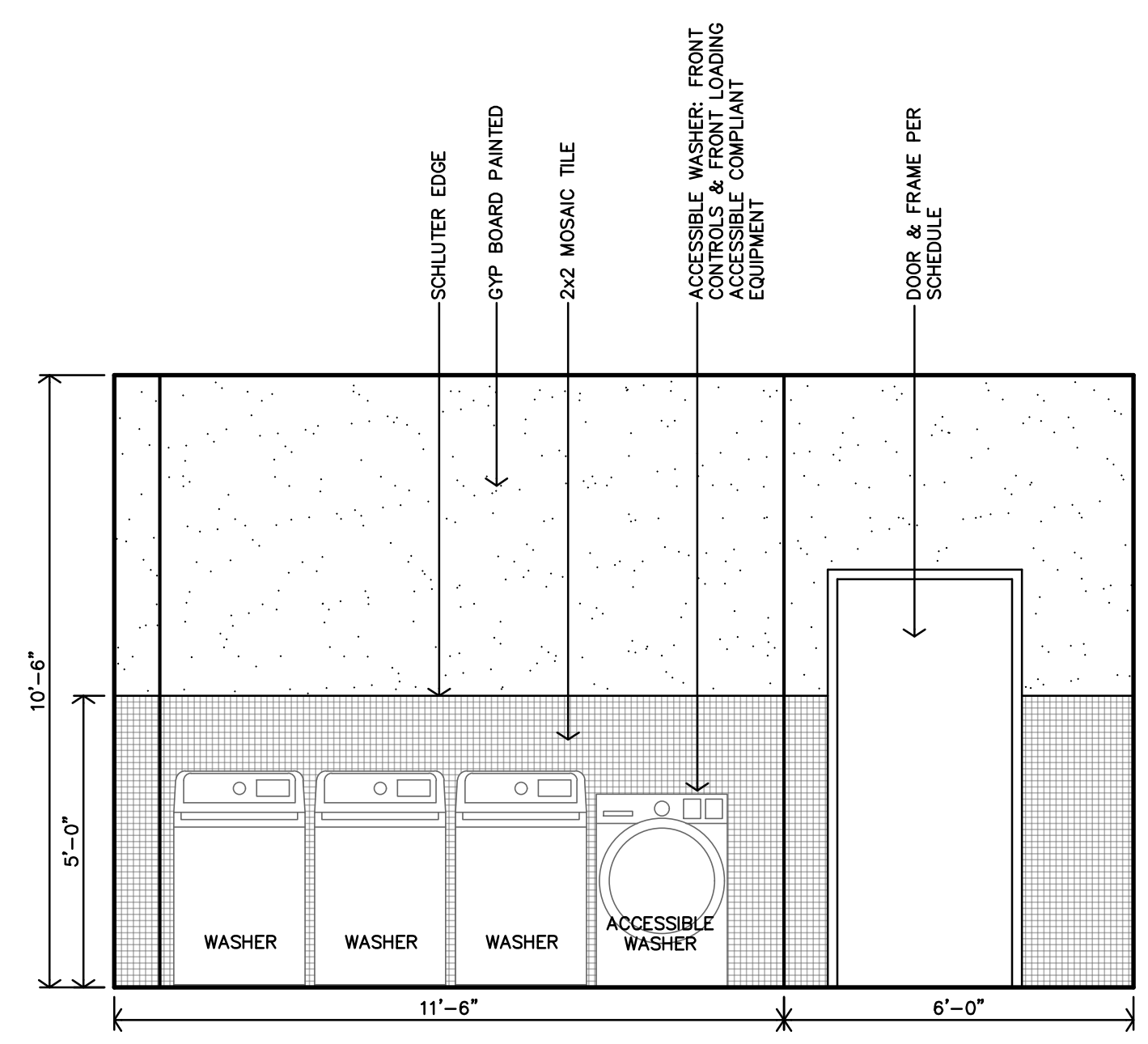
F FOOD PANTRY #103 CASEWORK SECTION
 3/4"=1'-0"



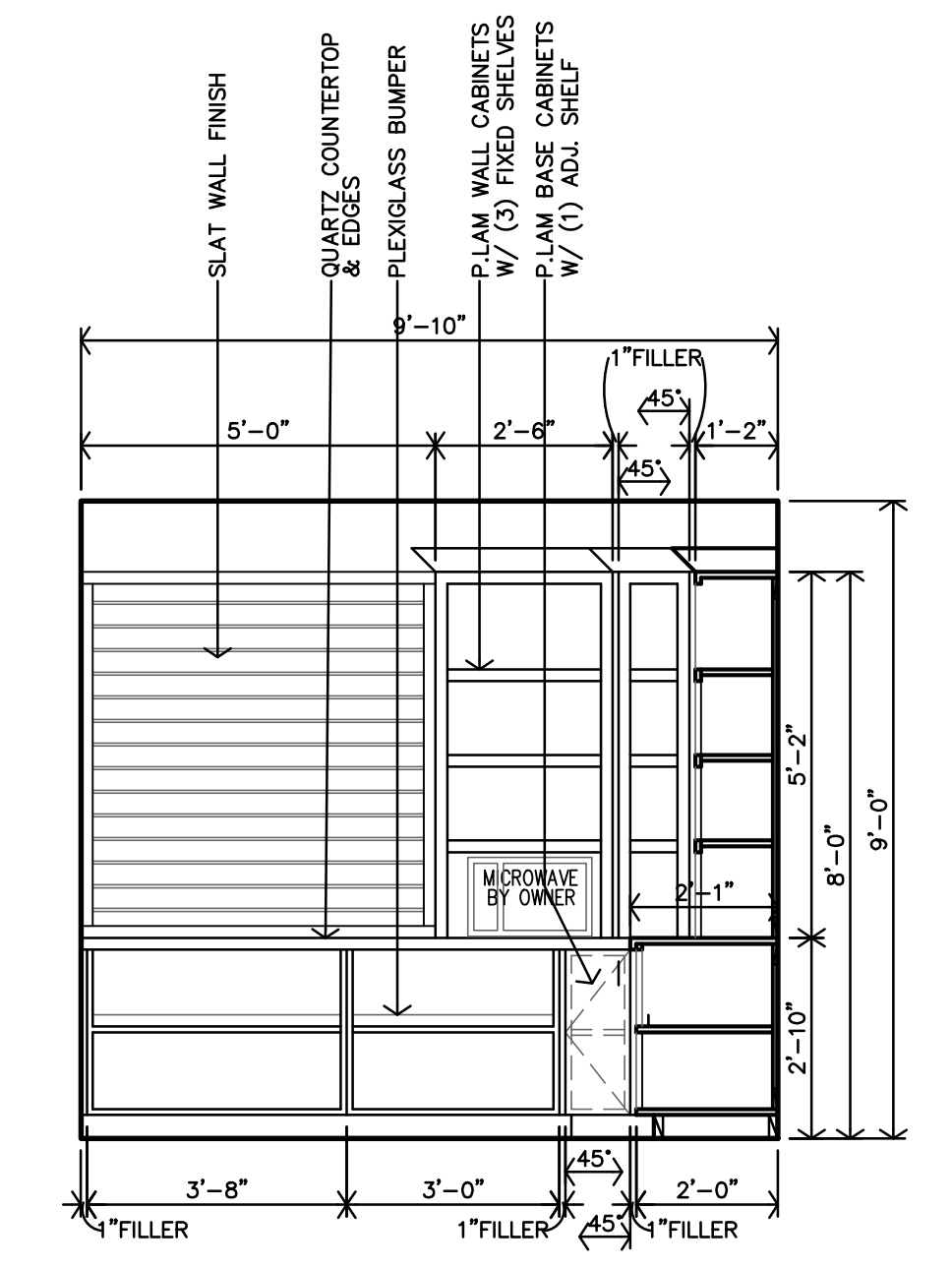
E FOOD PANTRY #103 CASEWORK SECTION
 3/4"=1'-0"



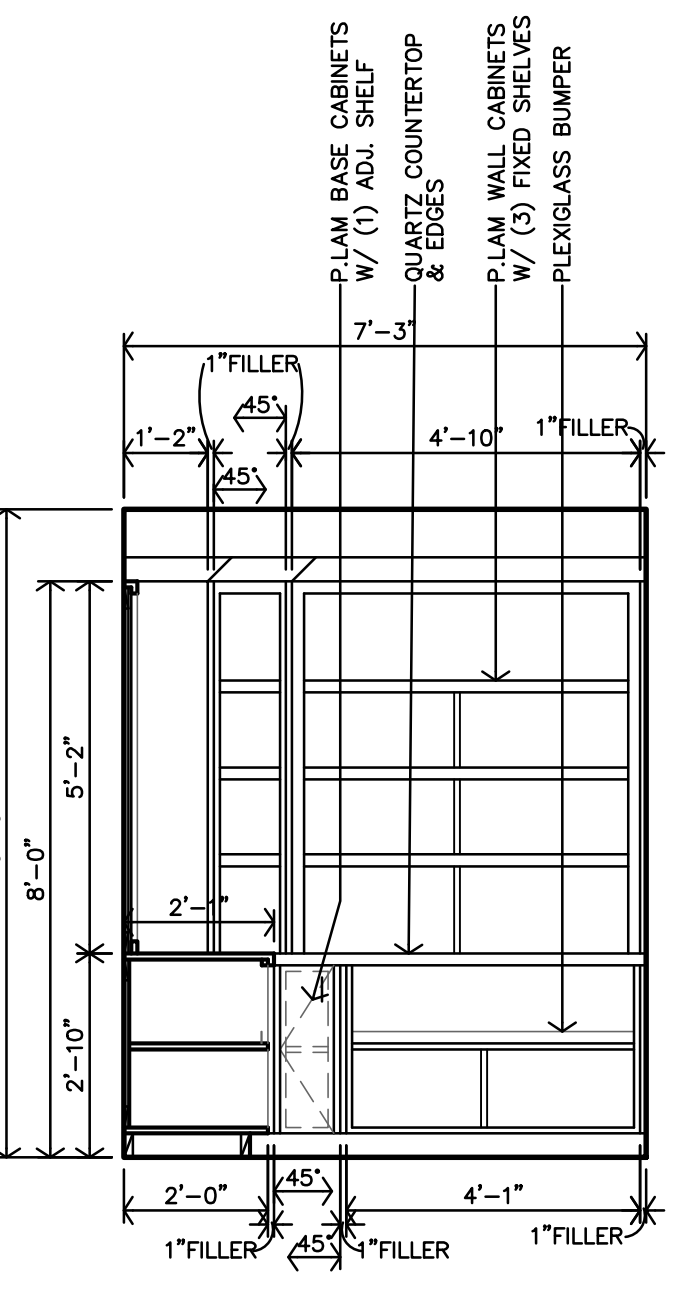
D LAUNDRY #116 INTERIOR ELEVATION
 3/8"=1'-0"



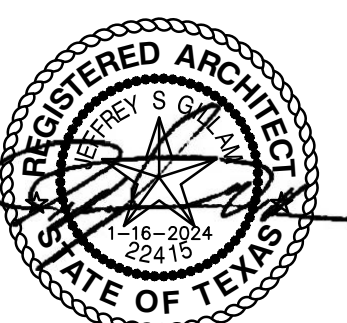
C LAUNDRY #116 INTERIOR ELEVATION
 3/8"=1'-0"



B FOOD PANTRY #103 INTERIOR ELEVATION
 3/8"=1'-0"



A FOOD PANTRY #103 INTERIOR ELEVATION
 3/8"=1'-0"



REVISION: _____
 DATE: 1-16-2024
 JOB: 22-3281
 SHEET NO.: _____

Jones Gillam Renz
 1881 Main Street, Suite 301
 Kansas City, MO 64108
 jgr@jgarchitects.com

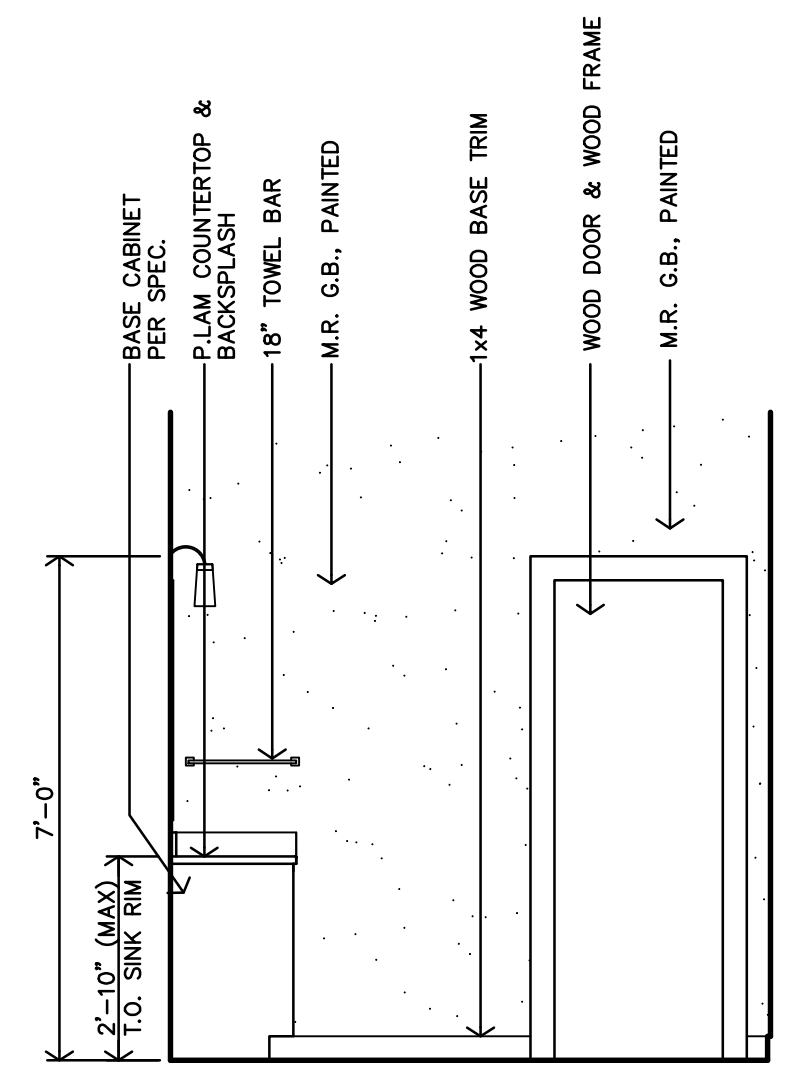
ROOSEVELT LOFTS
 HISTORIC REHABILITATION - APARTMENTS
 SAN ANGELO, TEXAS

A8.2

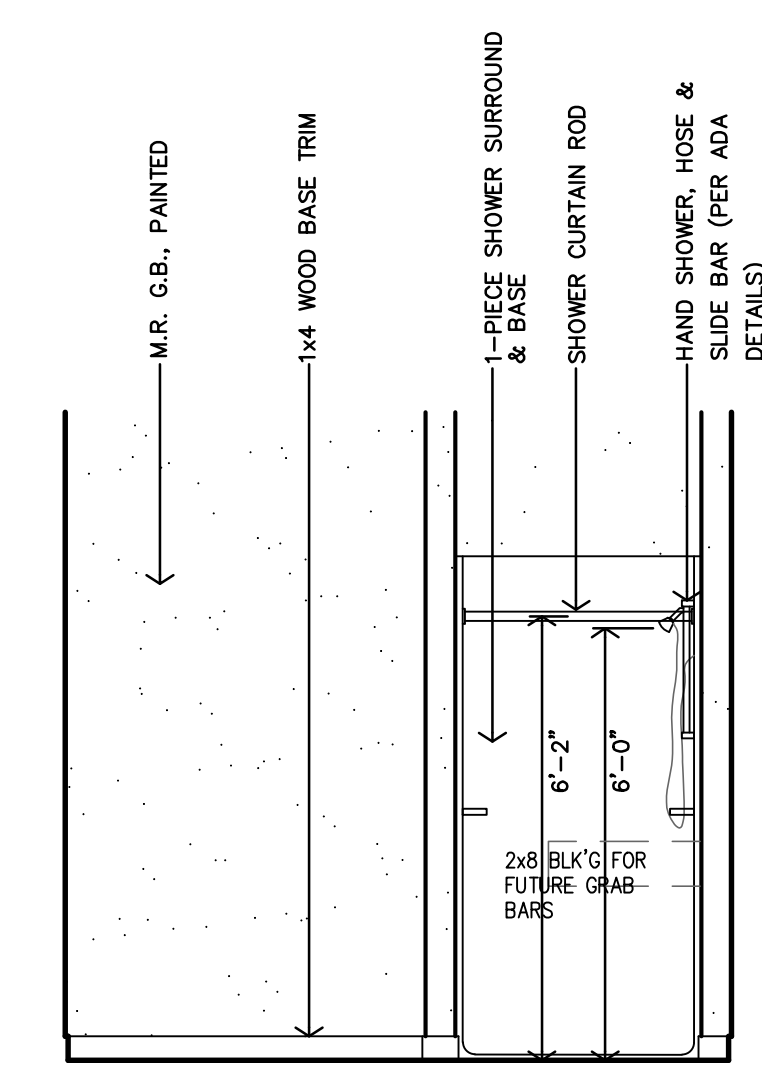
COPYRIGHTED ©



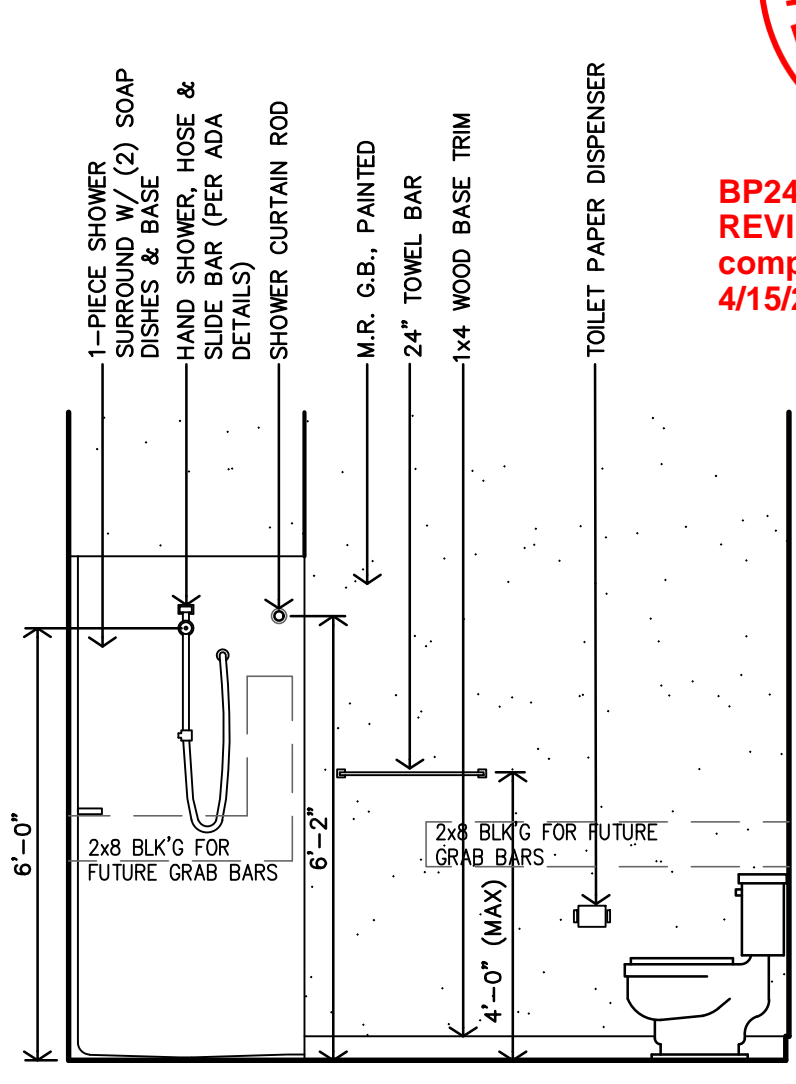
BP24-0000249
 REVIEWED for code
 compliance
 4/15/2024



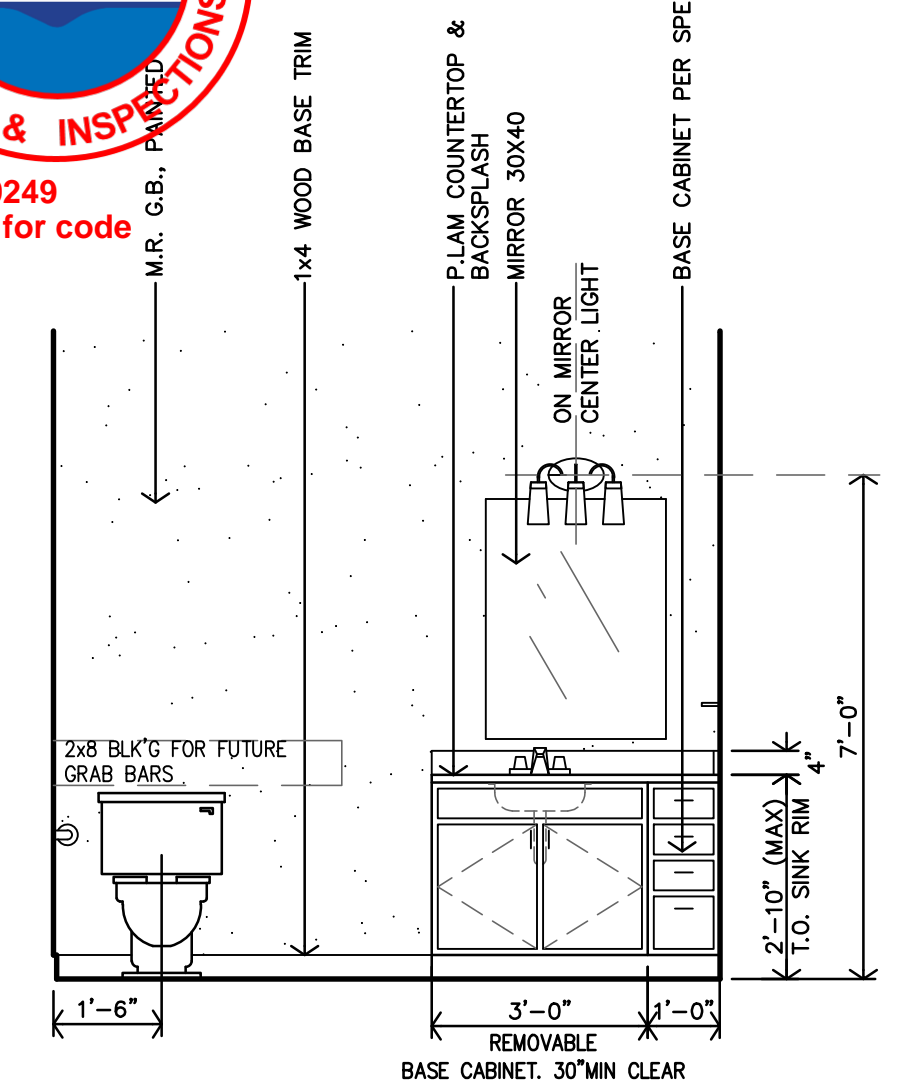
R
 ADAPTABLE BATH - TYPE #3
 INTERIOR ELEVATION
 3/8"=1'-0"



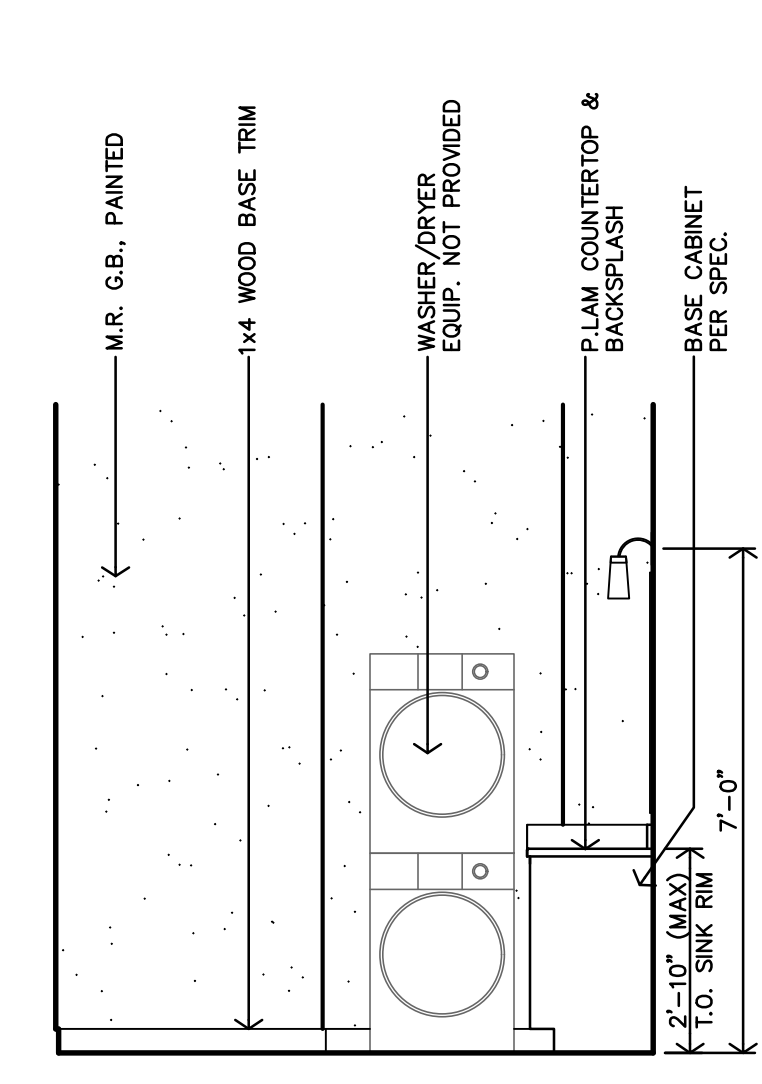
Q
 ADAPTABLE BATH - TYPE #3
 INTERIOR ELEVATION
 3/8"=1'-0"



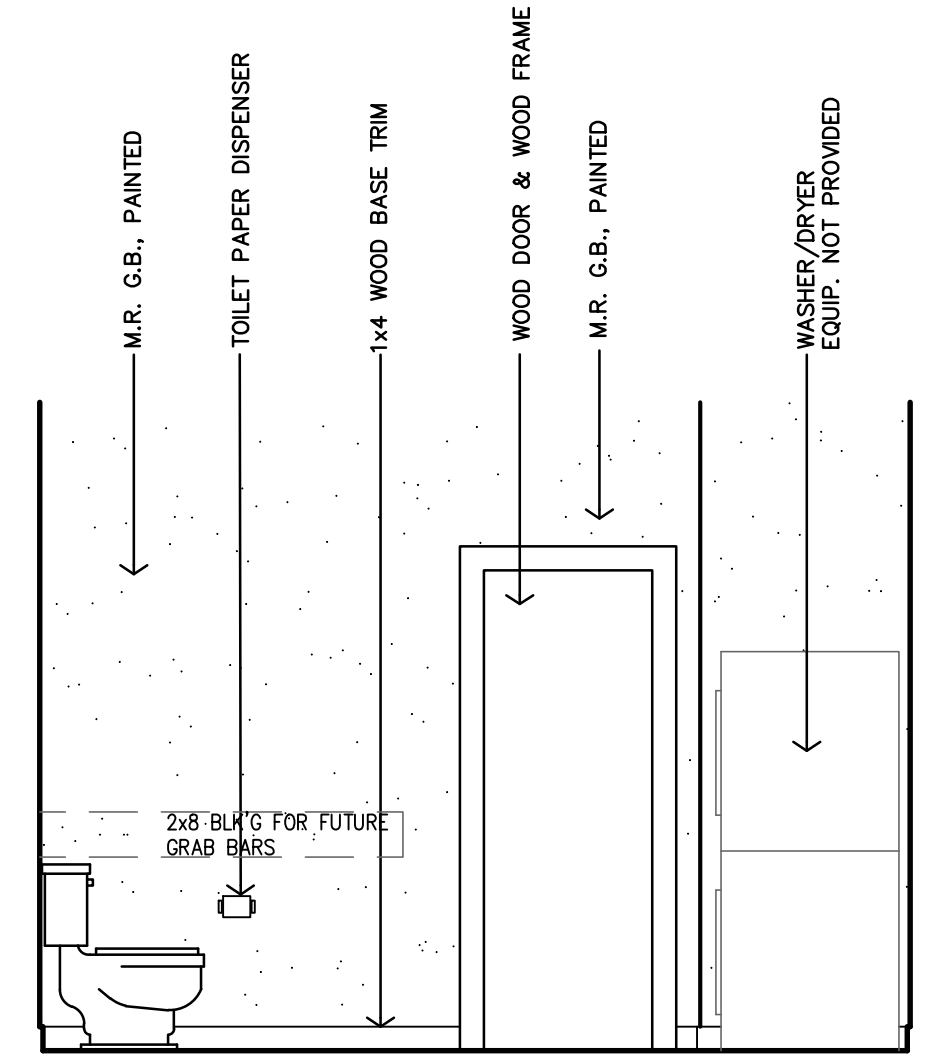
P
 ADAPTABLE BATH - TYPE #3
 INTERIOR ELEVATION
 3/8"=1'-0"



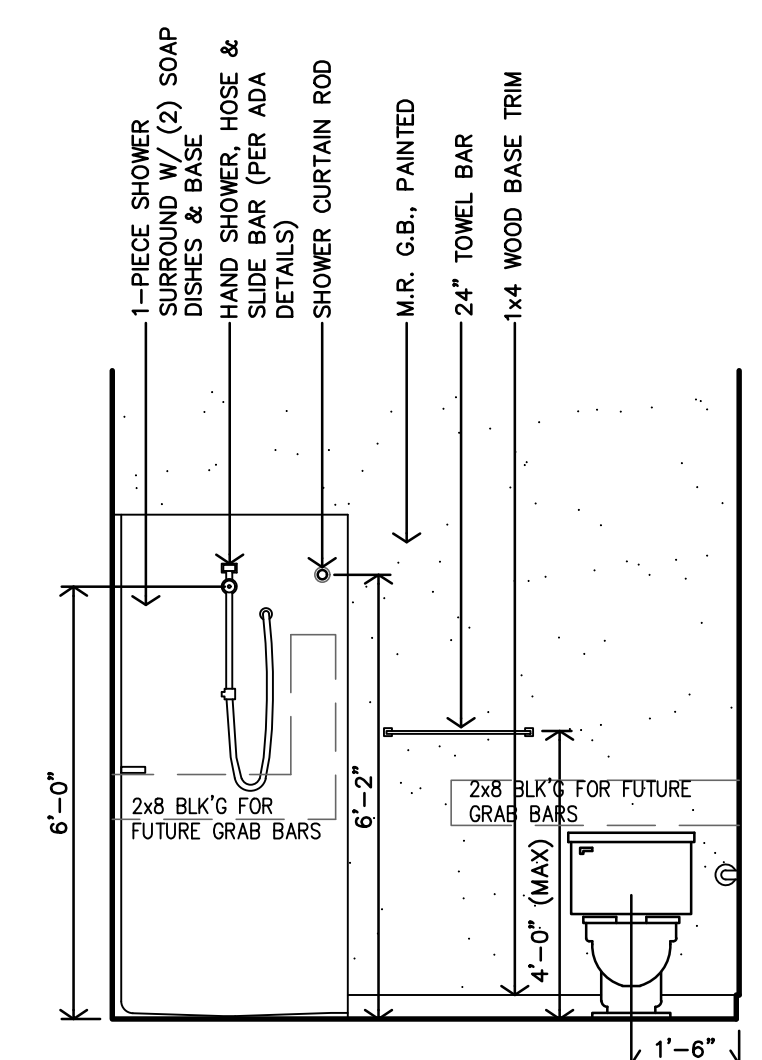
N
 ADAPTABLE BATH - TYPE #3
 INTERIOR ELEVATION
 3/8"=1'-0"



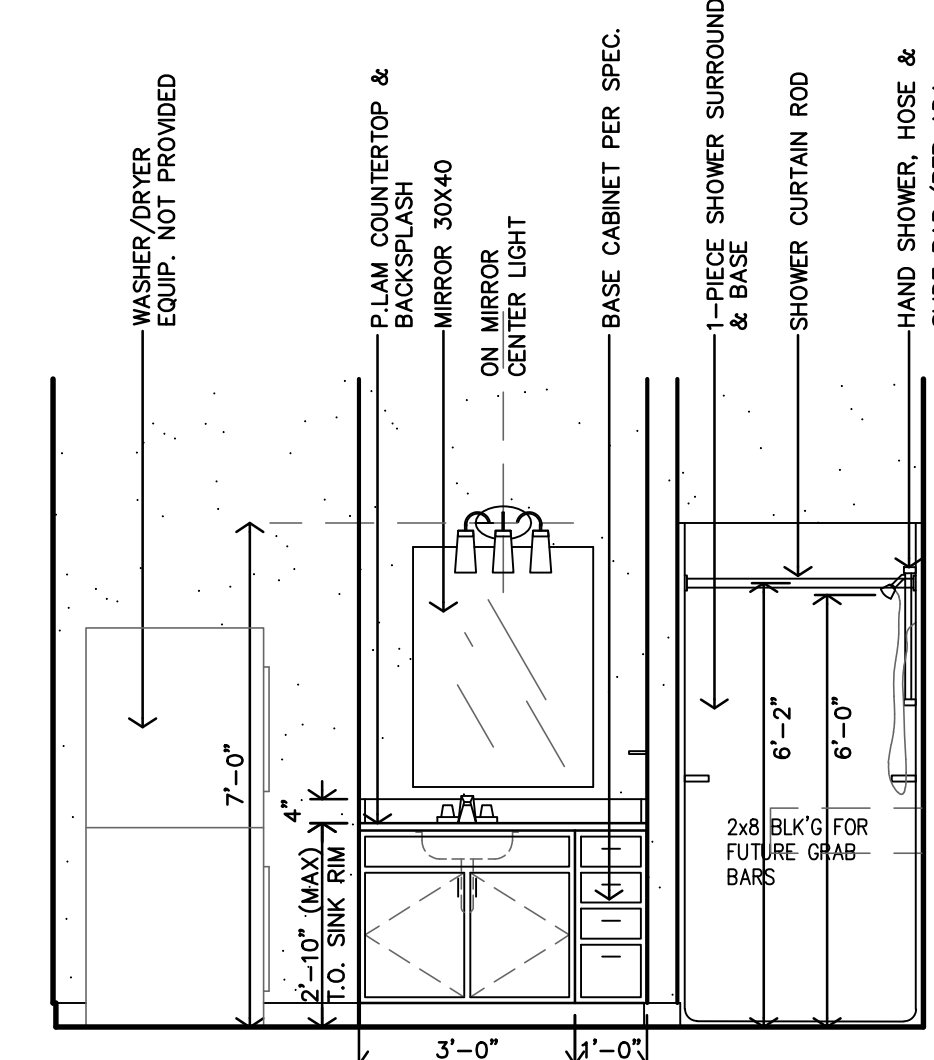
M
 ADAPTABLE BATH - TYPE #2
 INTERIOR ELEVATION
 3/8"=1'-0"



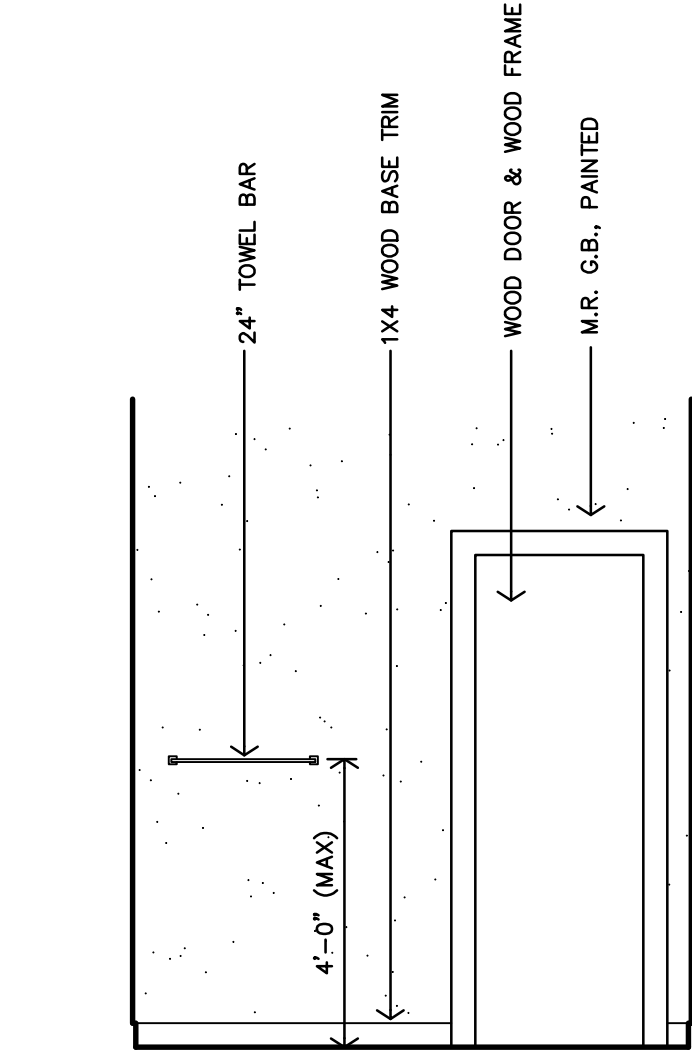
L
 ADAPTABLE BATH - TYPE #2
 INTERIOR ELEVATION
 3/8"=1'-0"



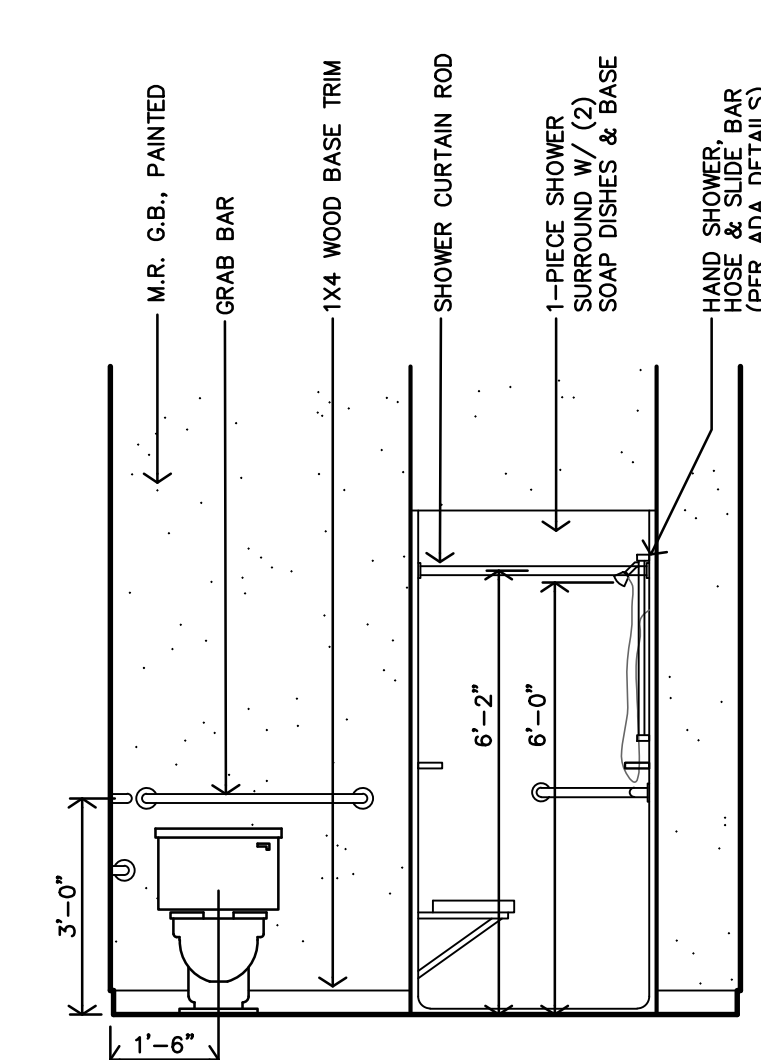
K
 ADAPTABLE BATH - TYPE #2
 INTERIOR ELEVATION
 3/8"=1'-0"



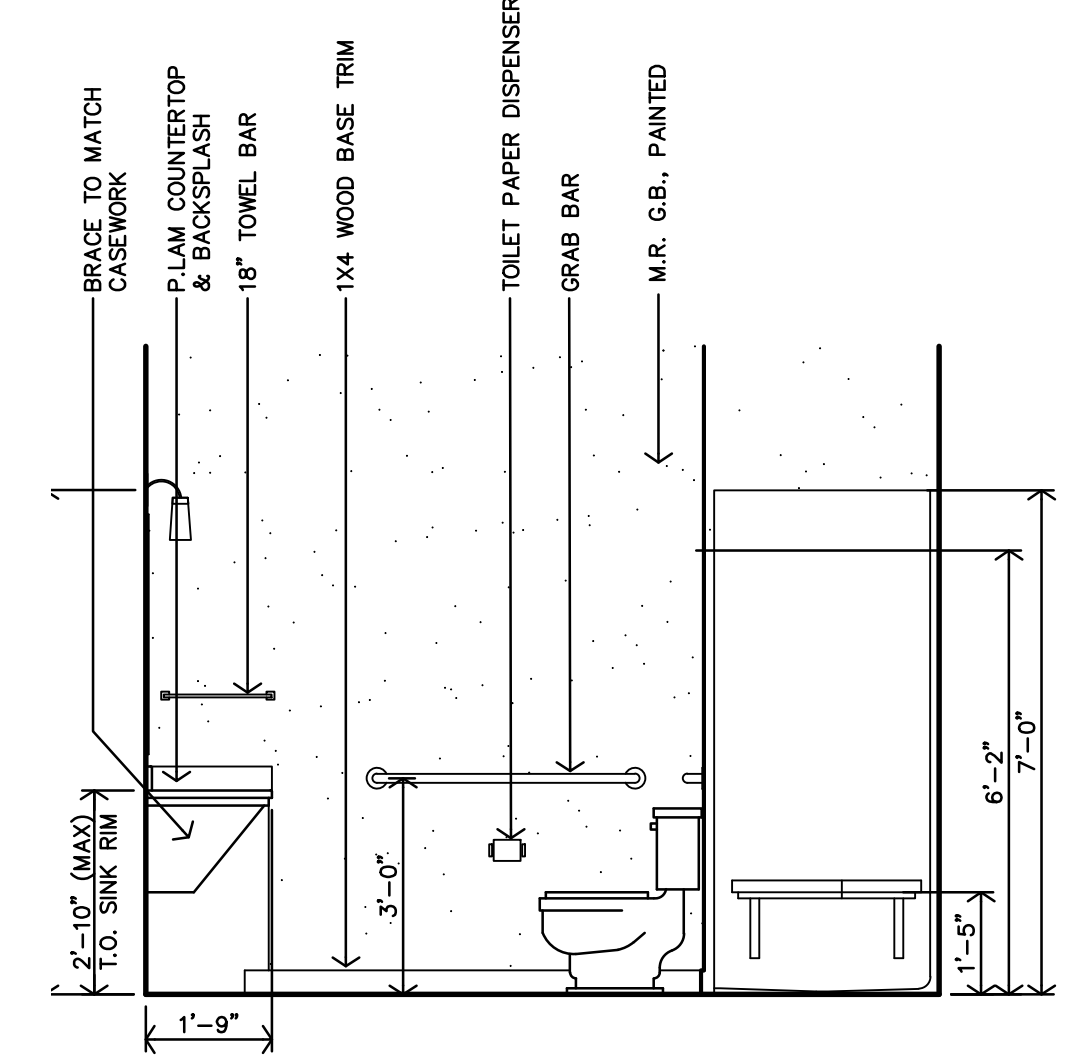
J
 ADAPTABLE BATH - TYPE #2
 INTERIOR ELEVATION
 3/8"=1'-0"



H
 ACCESSIBLE BATH - TYPE #1
 INTERIOR ELEVATION
 3/8"=1'-0"



G
 ACCESSIBLE BATH - TYPE #1
 INTERIOR ELEVATION
 3/8"=1'-0"

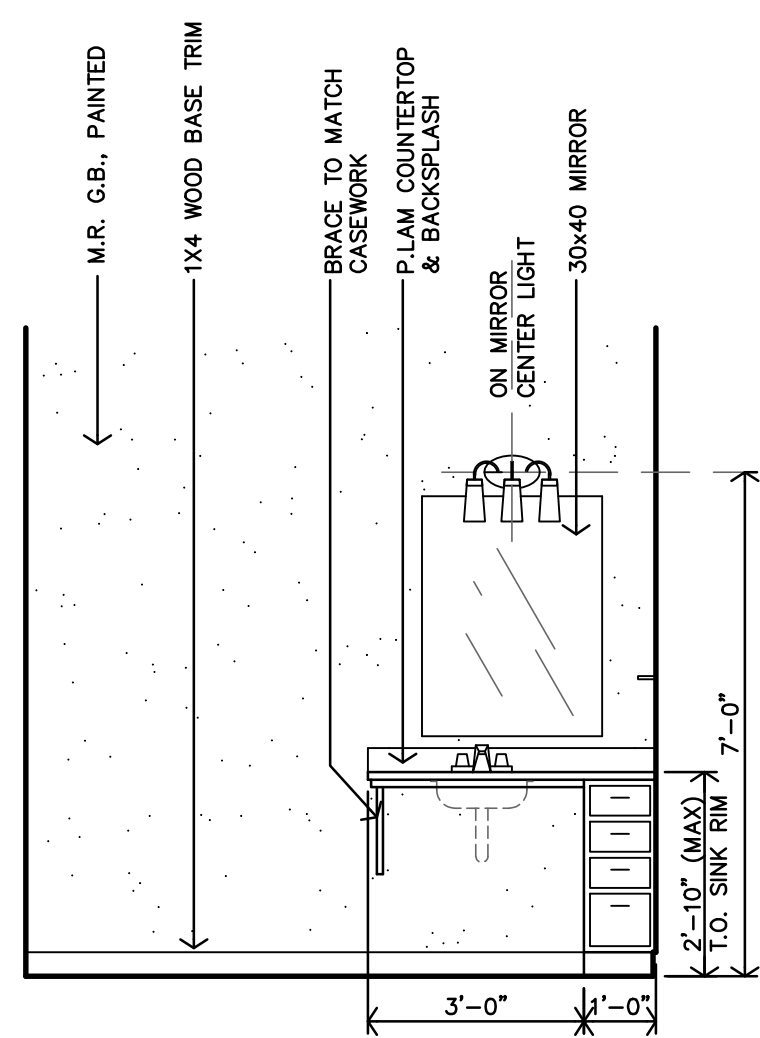


F
 ACCESSIBLE BATH - TYPE #1
 INTERIOR ELEVATION
 3/8"=1'-0"

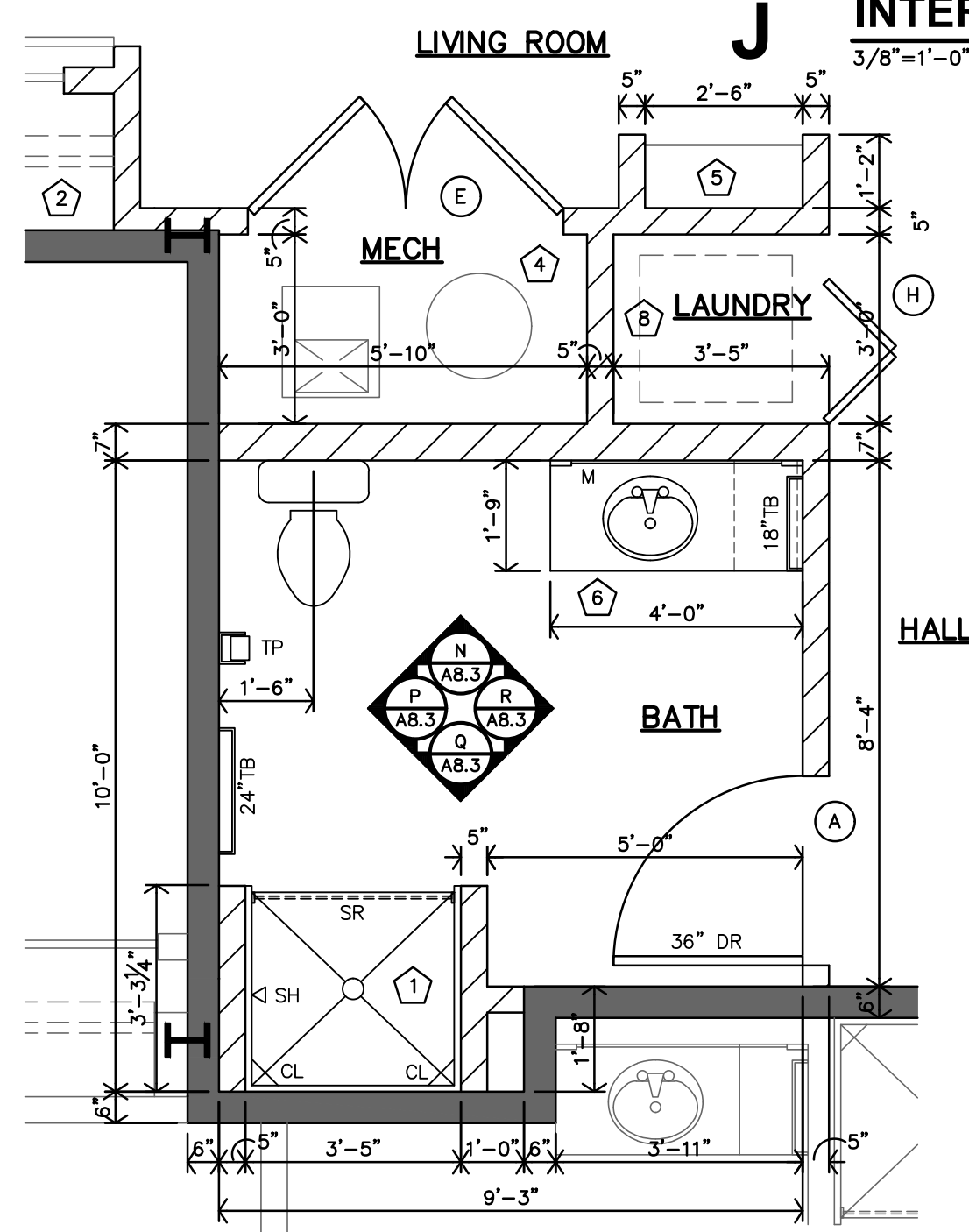
ENLARGED BATH GENERAL NOTES:

- REF. UNIT GENERAL NOTES FOR ADDITIONAL DIRECTION ON SHEET A2.0.
- ALL DIMENSIONS ARE TO FACE OF GYP. BD. UNLESS NOTED OTHERWISE.
- CONTRACTOR TO INSTALL 2x8 BLOCKING IN WALLS FOR ALL WALL MOUNTED/SUPPORTED COUNTERTOPS & BRACES, SHOWER UNIT, TOWEL BARS & FUTURE GRABS BARS, FUTURE SHOWER SEAT AS REQ'D. (REF. SHEET AAB.3).
- SHOWER SEAT TO BE INSTALLED PER TENANT REQUEST IN ADAPTABLE UNITS.
- REMOVABLE CABINETS TO PROVIDE 30" CLEAR MIN. FLOORING & WALL FINISH TO BE CONTINUOUS UNDER CABINET.
- ALL APARTMENT LAUNDRY AREAS: HOOK-UPS TO BE PROVIDED. WASHING MACHINES AND DRYER EQUIPMENT ARE NOT PART OF THIS CONTRACT.

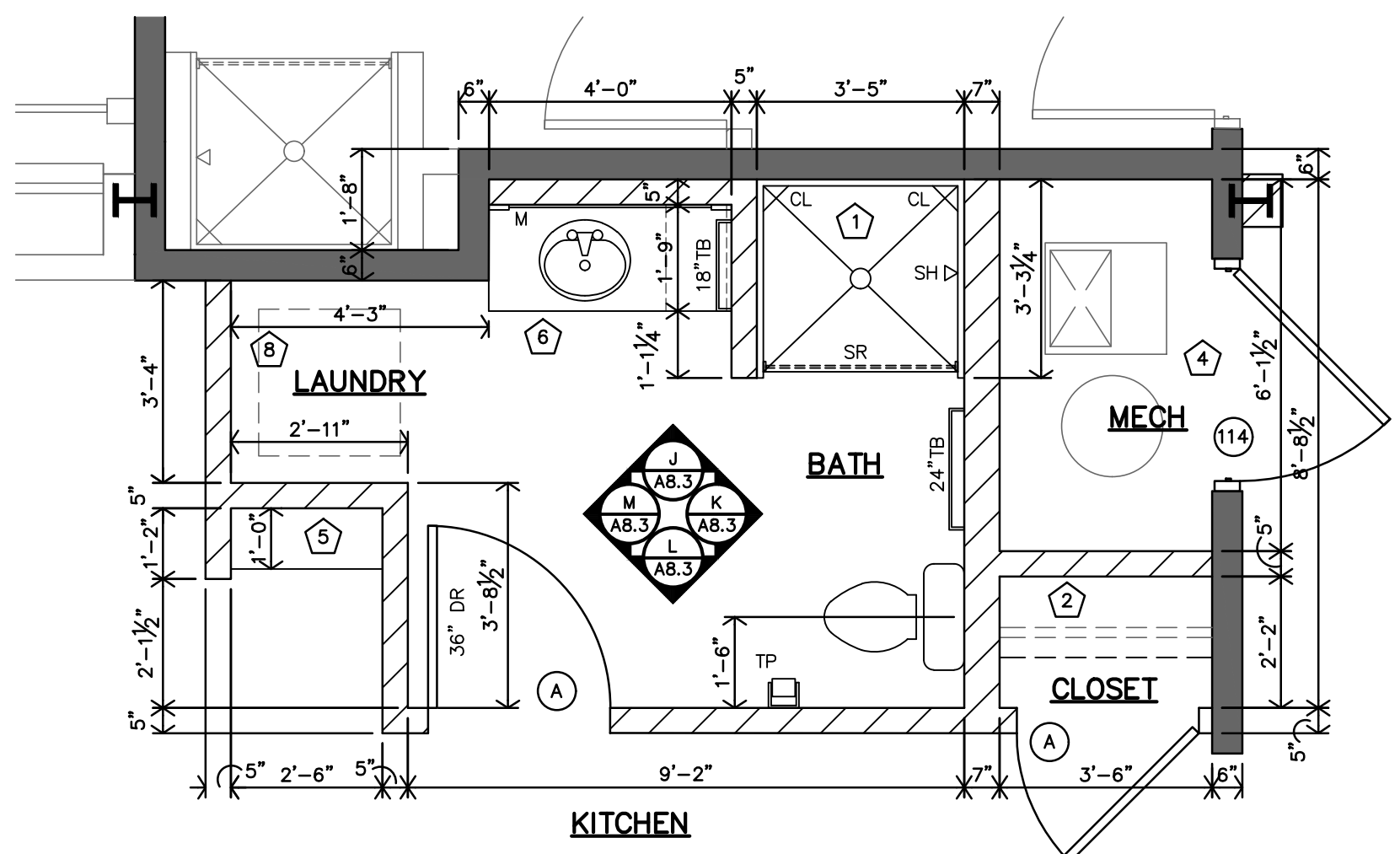
BATH KEYNOTES:	LEGEND
1) VERIFY ROUGH OPENING SIZE w/ SHOWER UNIT REF. MECH DWGS	M MIRROR
2) PLASTIC COATED WIRE SHELF & ROD @ 69" O.C. AFF	TP TOILET PAPER DISPENSER
3) PLASTIC COATED WIRE SHELF & ROD @ 47" O.C. AFF (ACCESSIBLE UNITS)	TB TOWEL BAR
4) WATER HEATER & FURNACE - REF. MECH. DRAWINGS	SR SHOWER ROD
5) 12" DEEP PLASTIC COATED WIRE SHELVES WITH ADJUSTABLE BRACKETS (5 TOTAL)	CL CORNER LEDGE
6) REMOVABLE CABINET	SH SHOWER HEAD
7) ELECTRICAL, WATER, ETC. HOOK-UPS FOR SIDE-BY-SIDE WASHER AND DRYER (ACCESSIBLE). (WASHER & DRYER EQUIPMENT NOT PROVIDED)	SS SHOWER SEAT
8) ELECTRICAL, WATER, ETC. HOOK-UPS FOR STACKED WASHER AND DRYER. (WASHER & DRYER EQUIPMENT NOT PROVIDED)	GB GRAB BAR



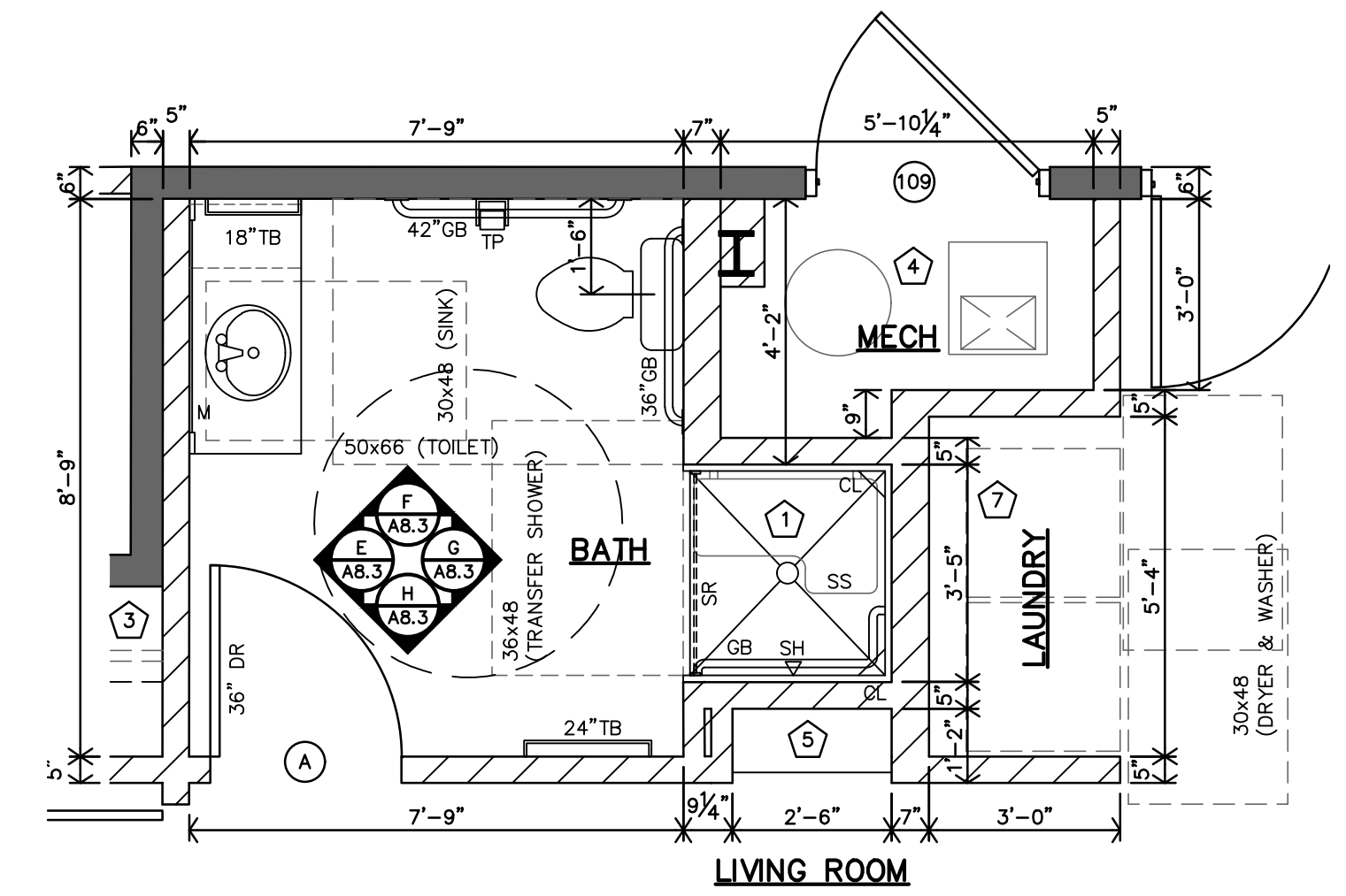
E
 ACCESSIBLE BATH - TYPE #1
 INTERIOR ELEVATION
 3/8"=1'-0"



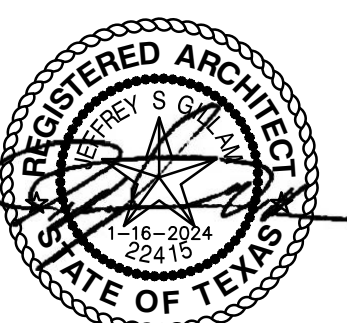
C
 TYPE 3 - ADAPTABLE
 ENLARGED BATH PLAN
 3/8"=1'-0"



B
 TYPE 2 - ADAPTABLE
 ENLARGED BATH PLAN
 3/8"=1'-0"



A
 TYPE 1 (ACCESSIBLE)
 ENLARGED BATH PLAN
 3/8"=1'-0"



REVISION:
 DATE: 1-16-2024
 JOB: 22-3281
 SHEET NO.:

A8.3

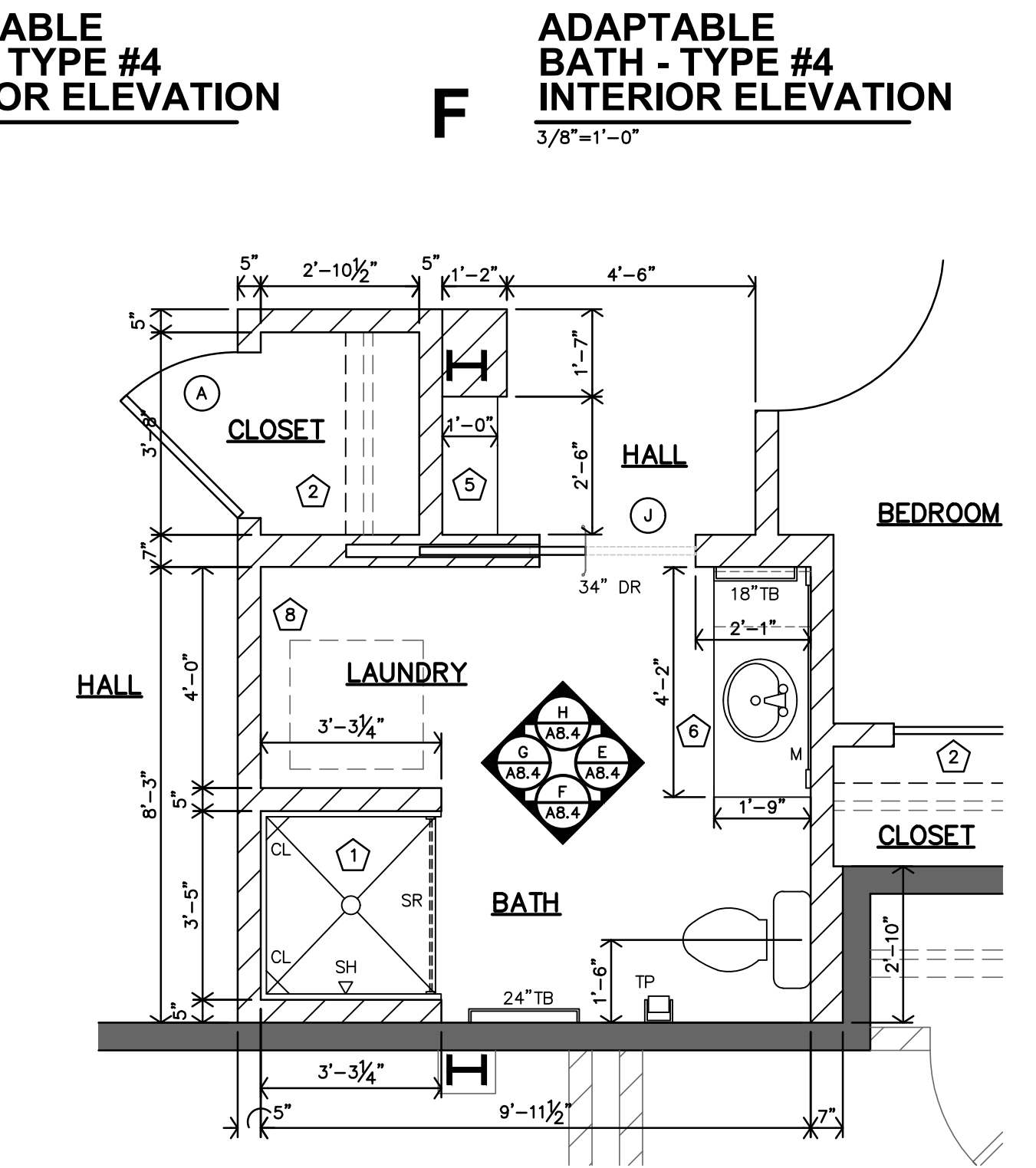
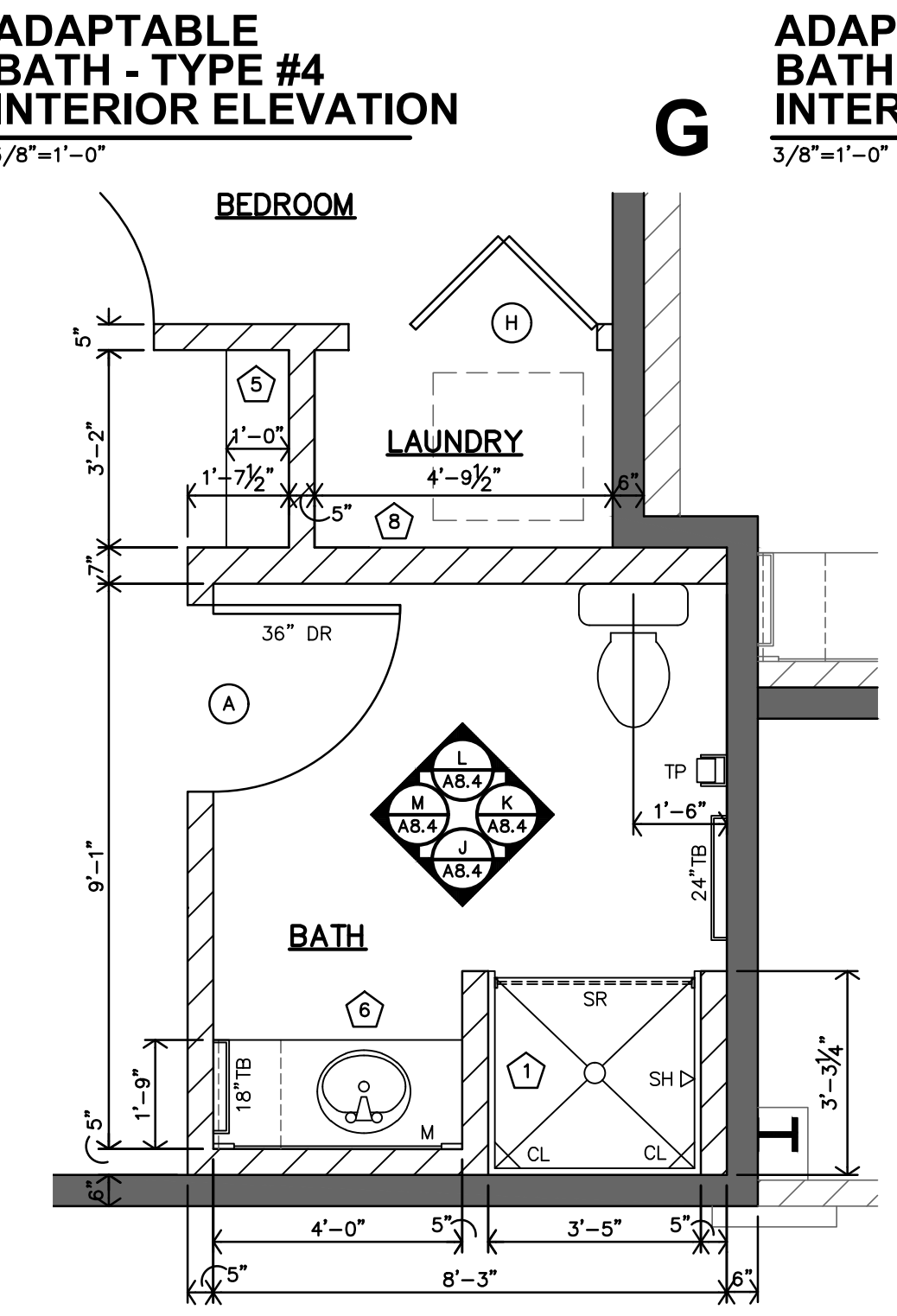
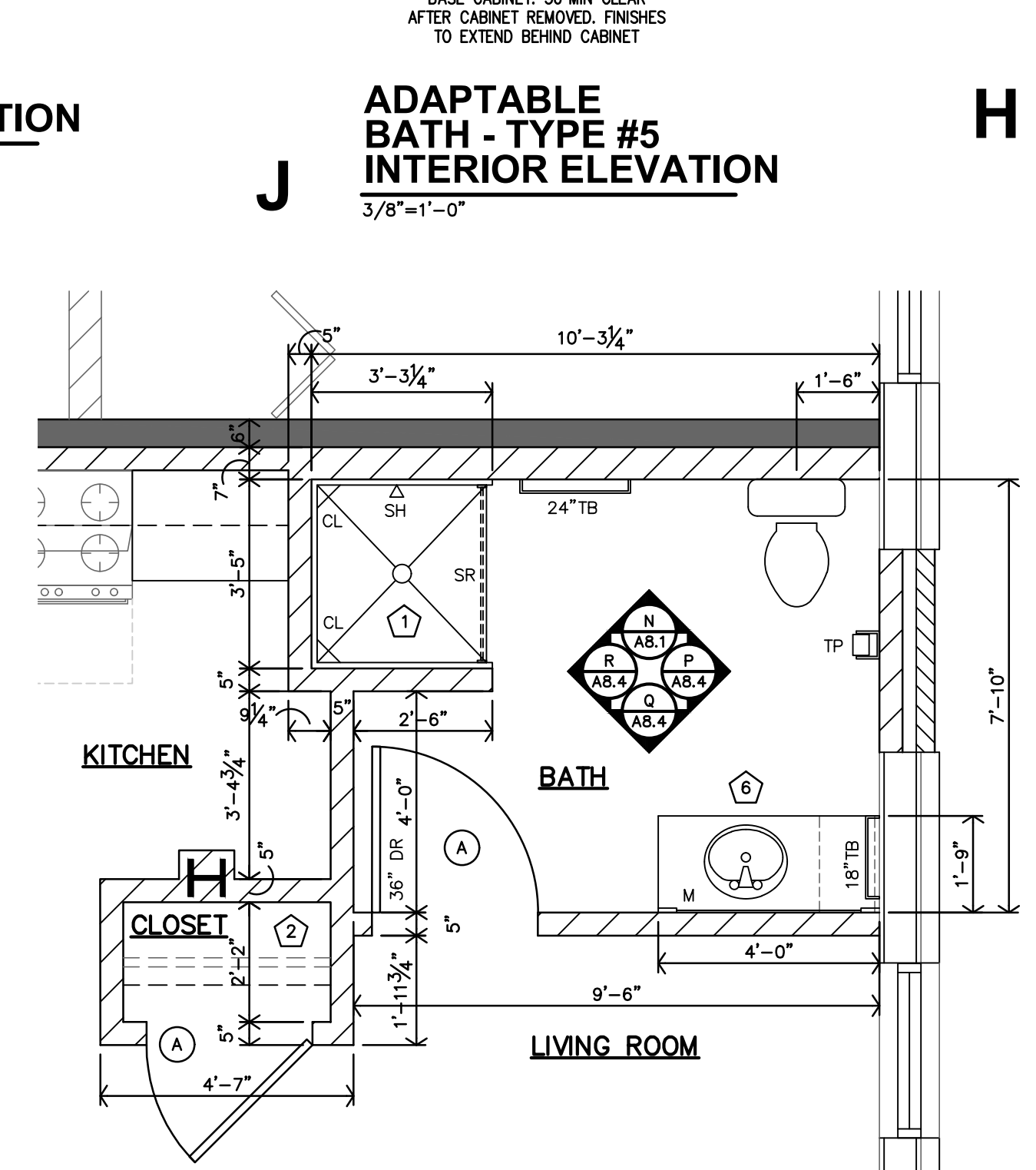
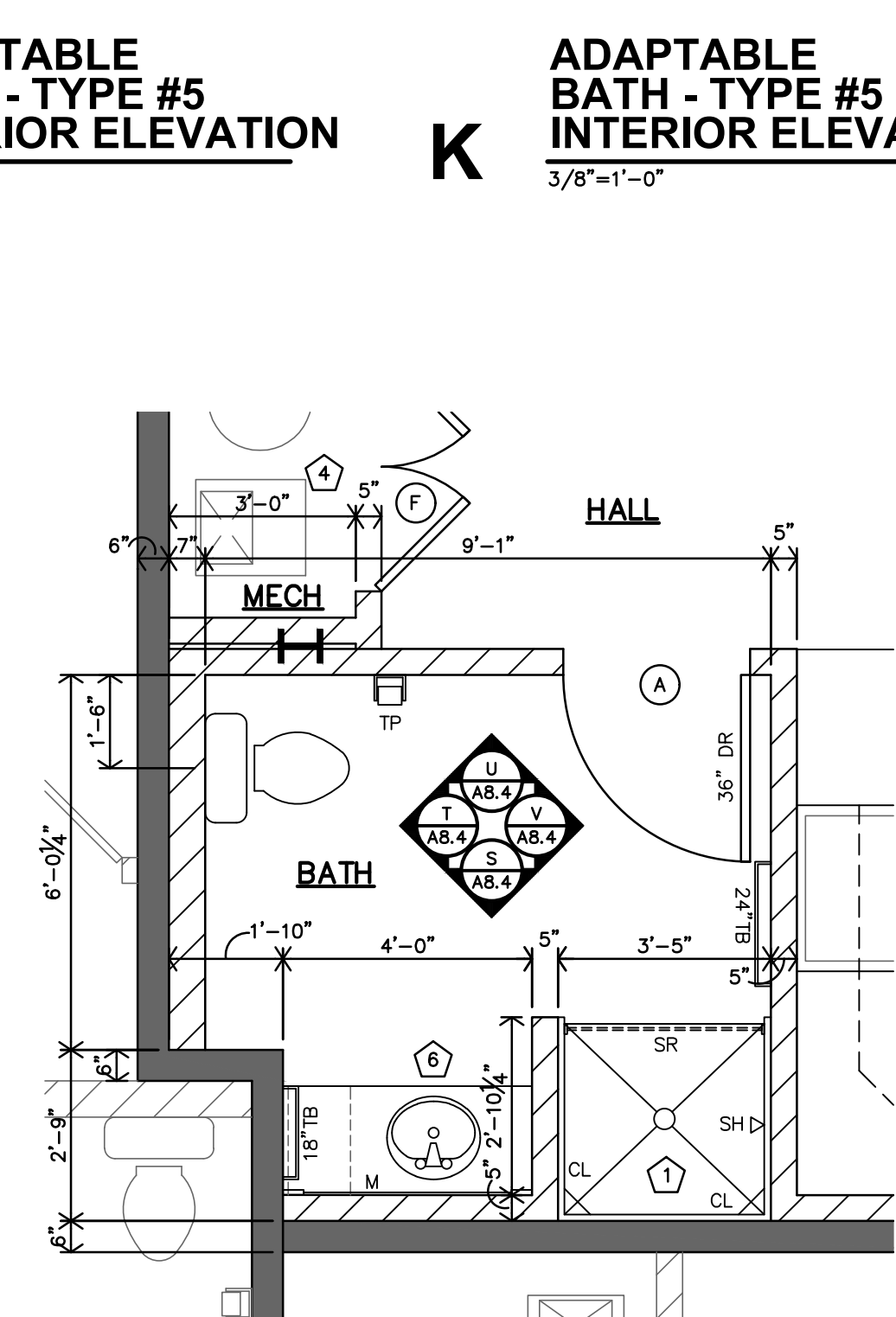
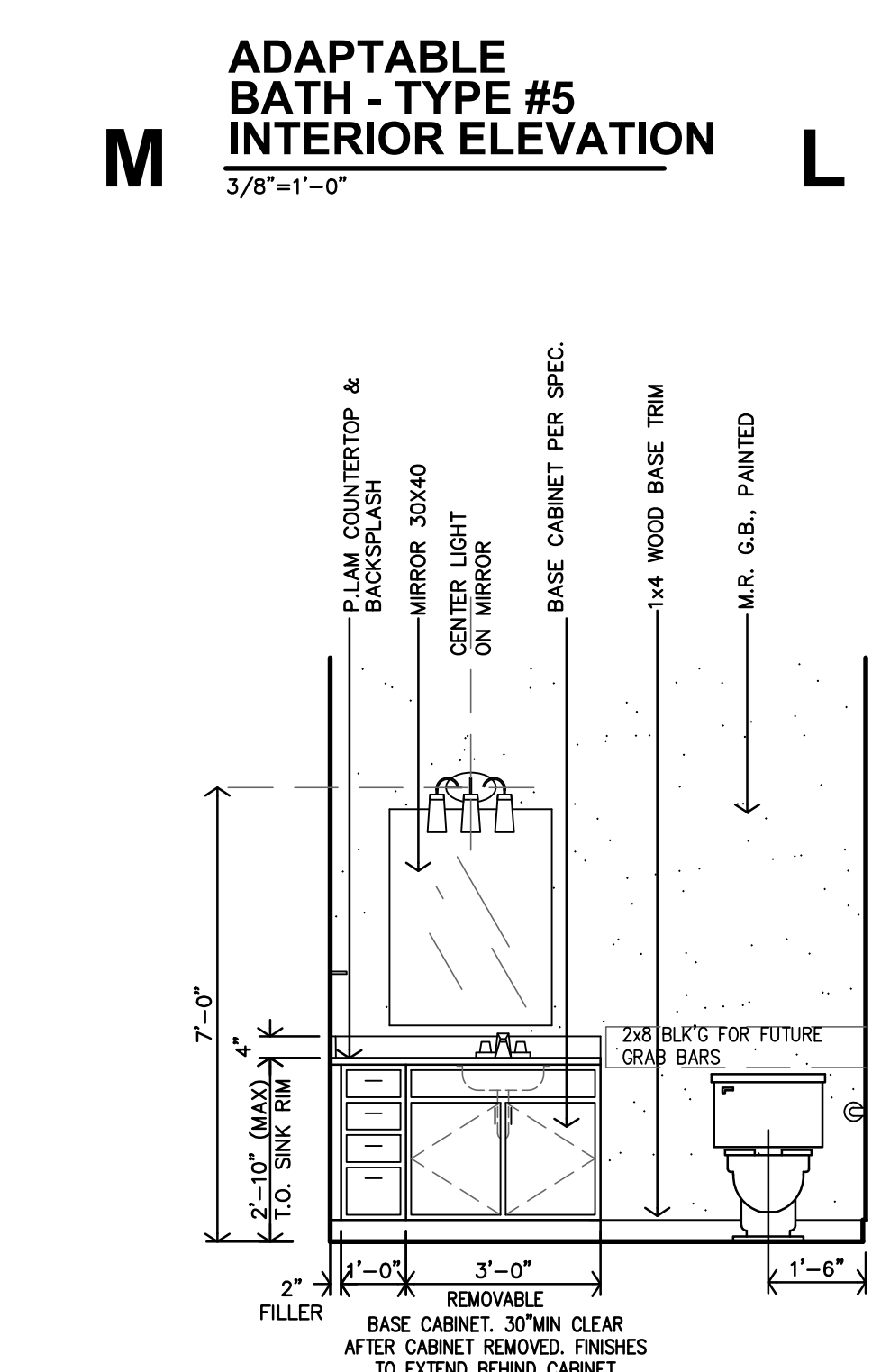
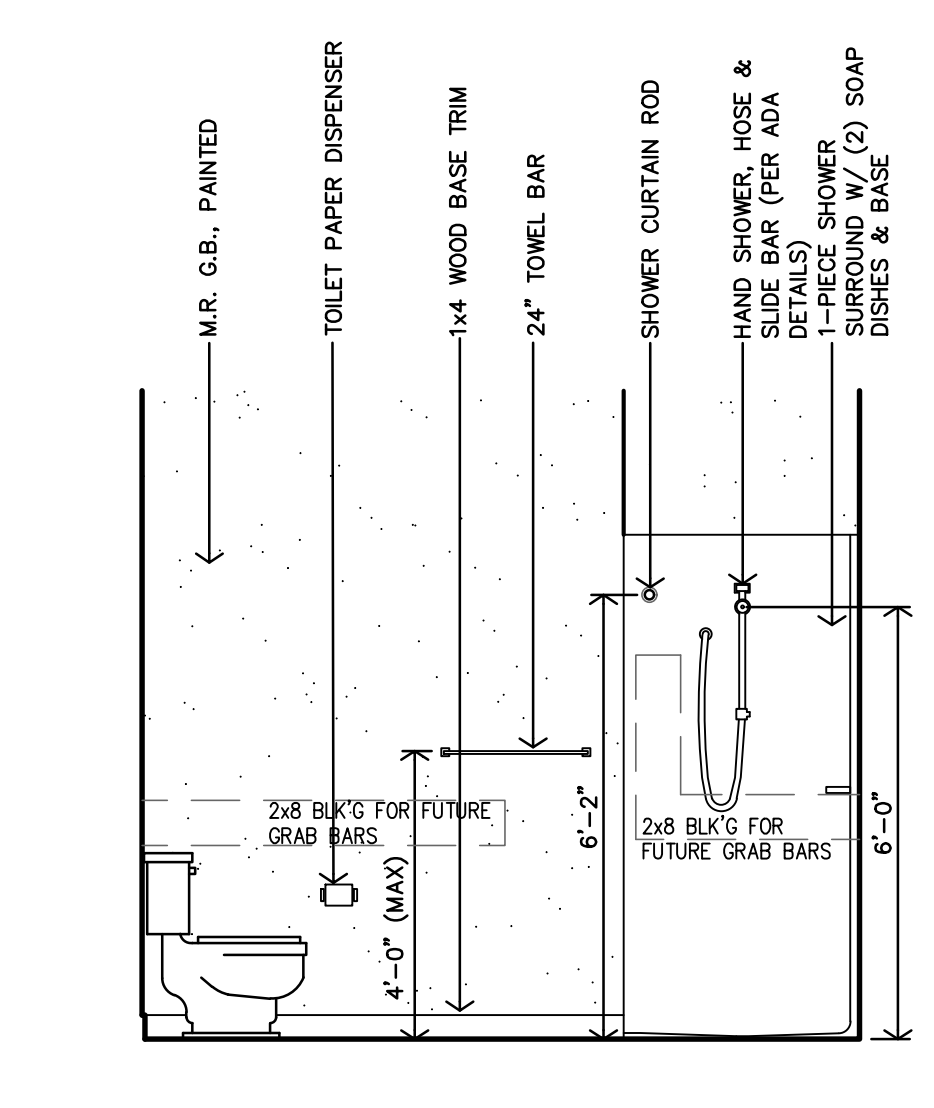
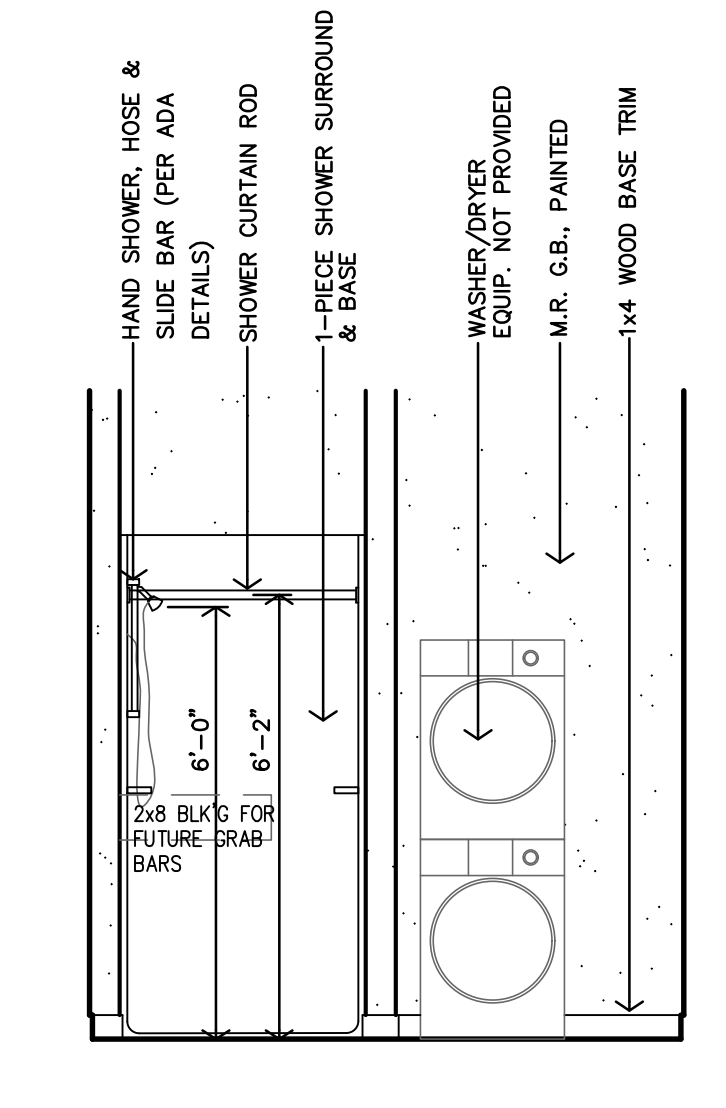
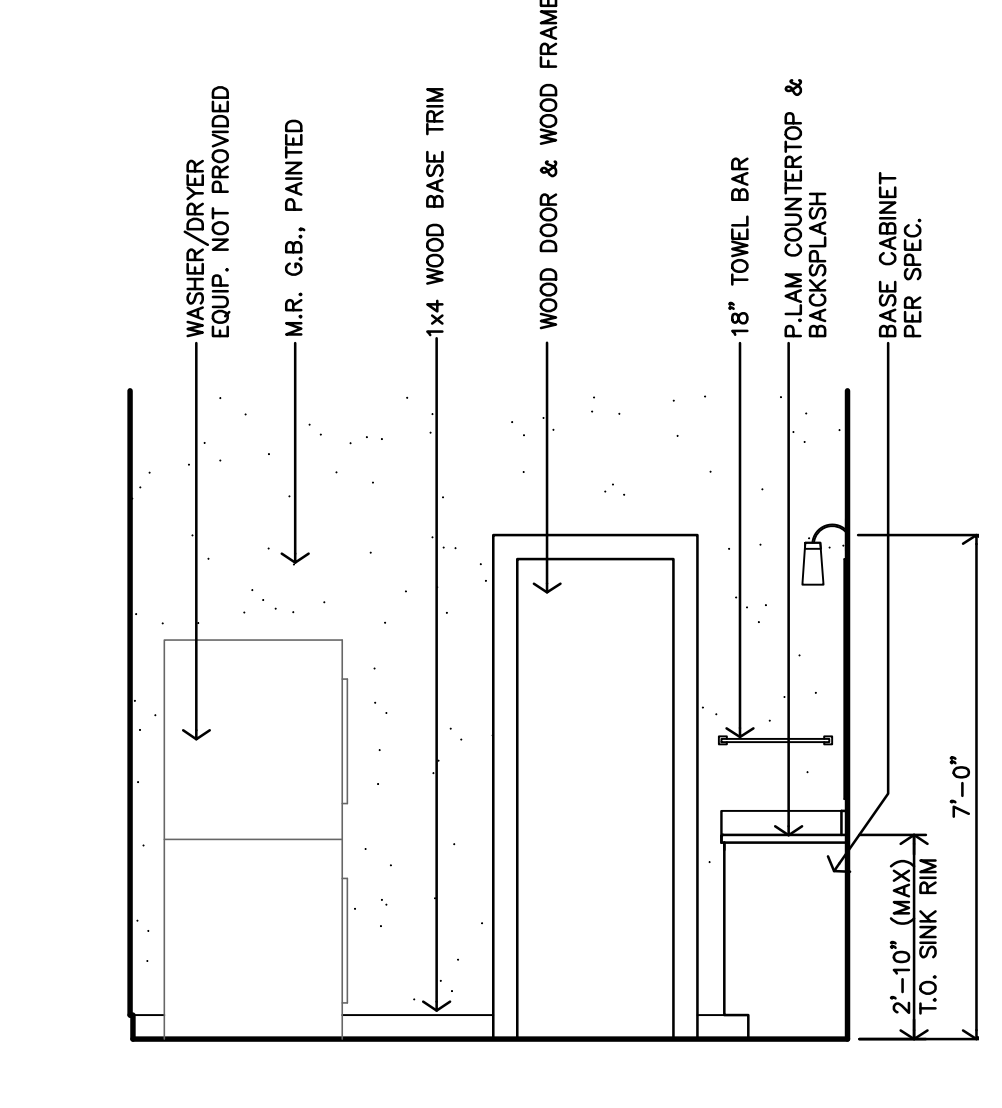
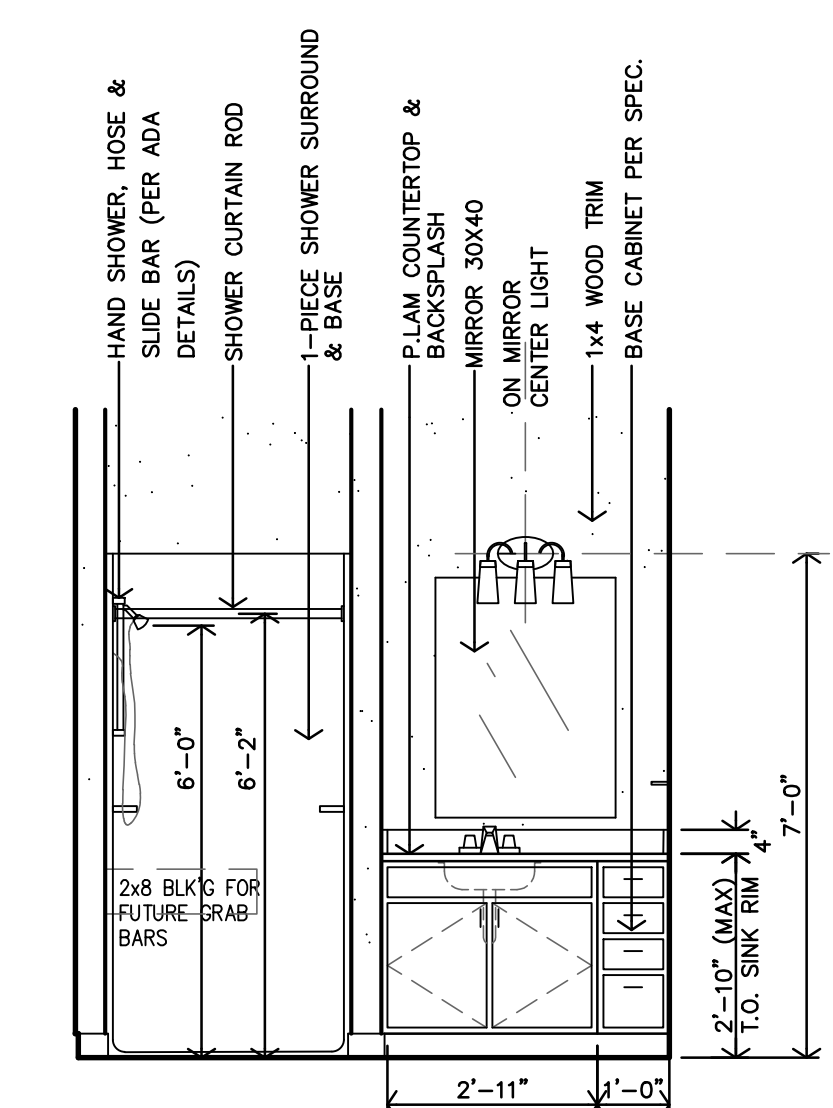
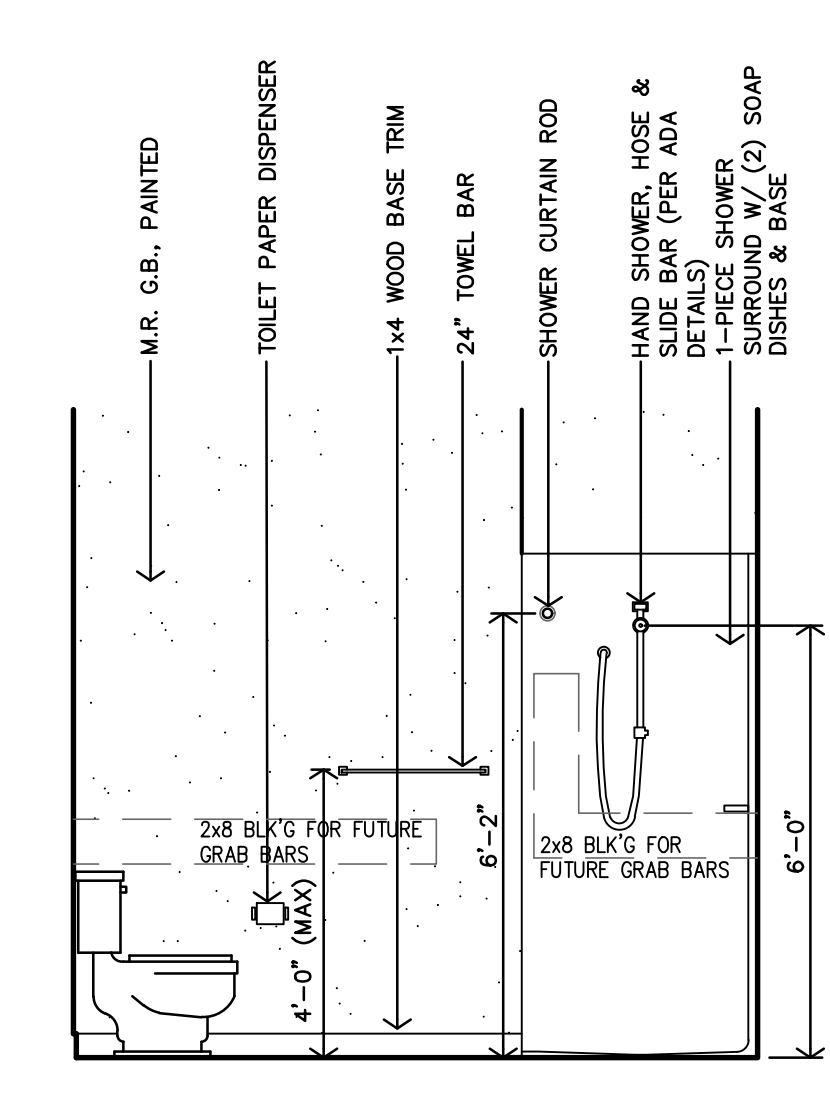
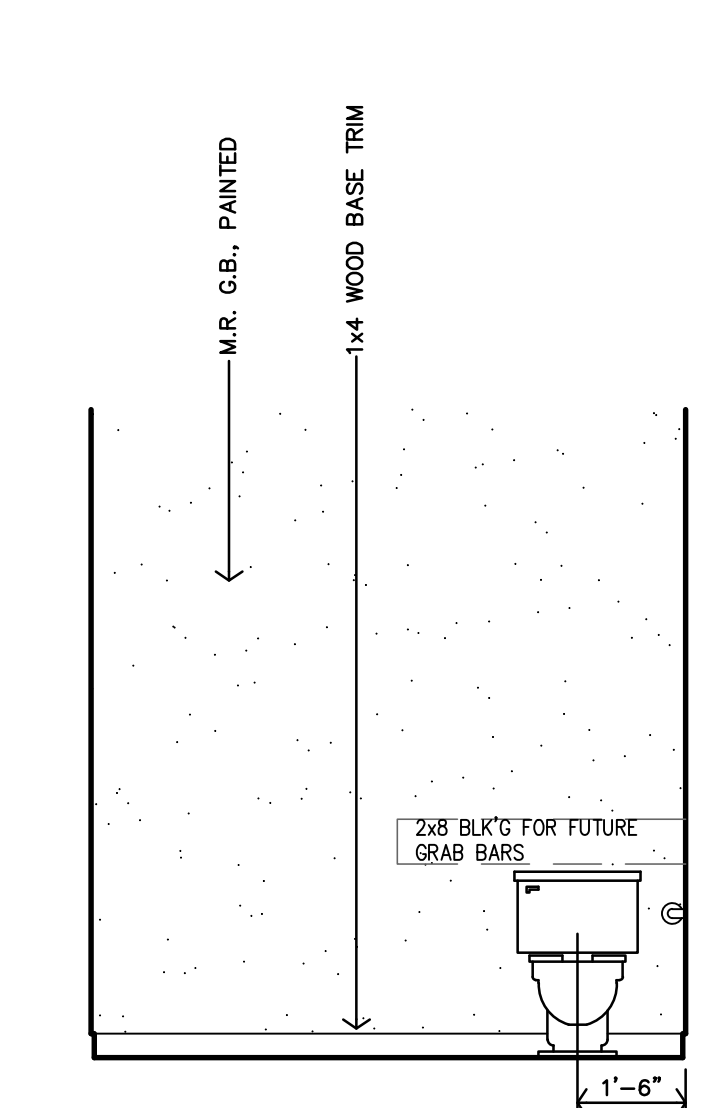
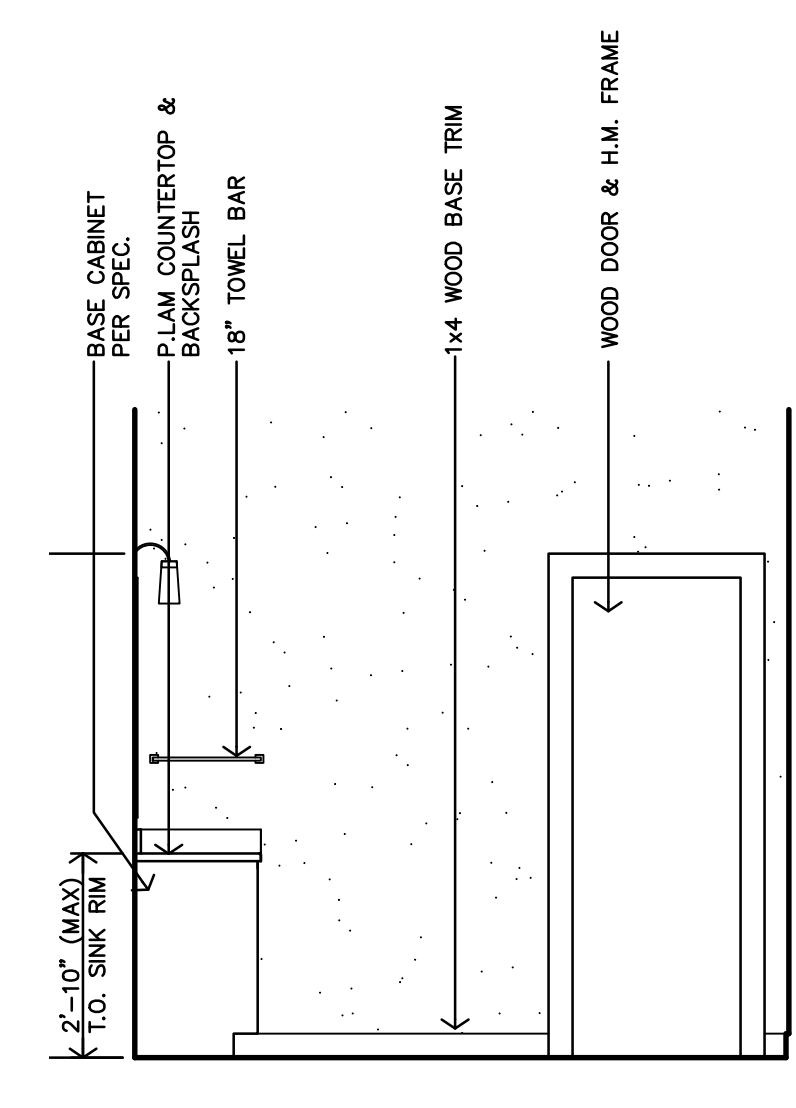
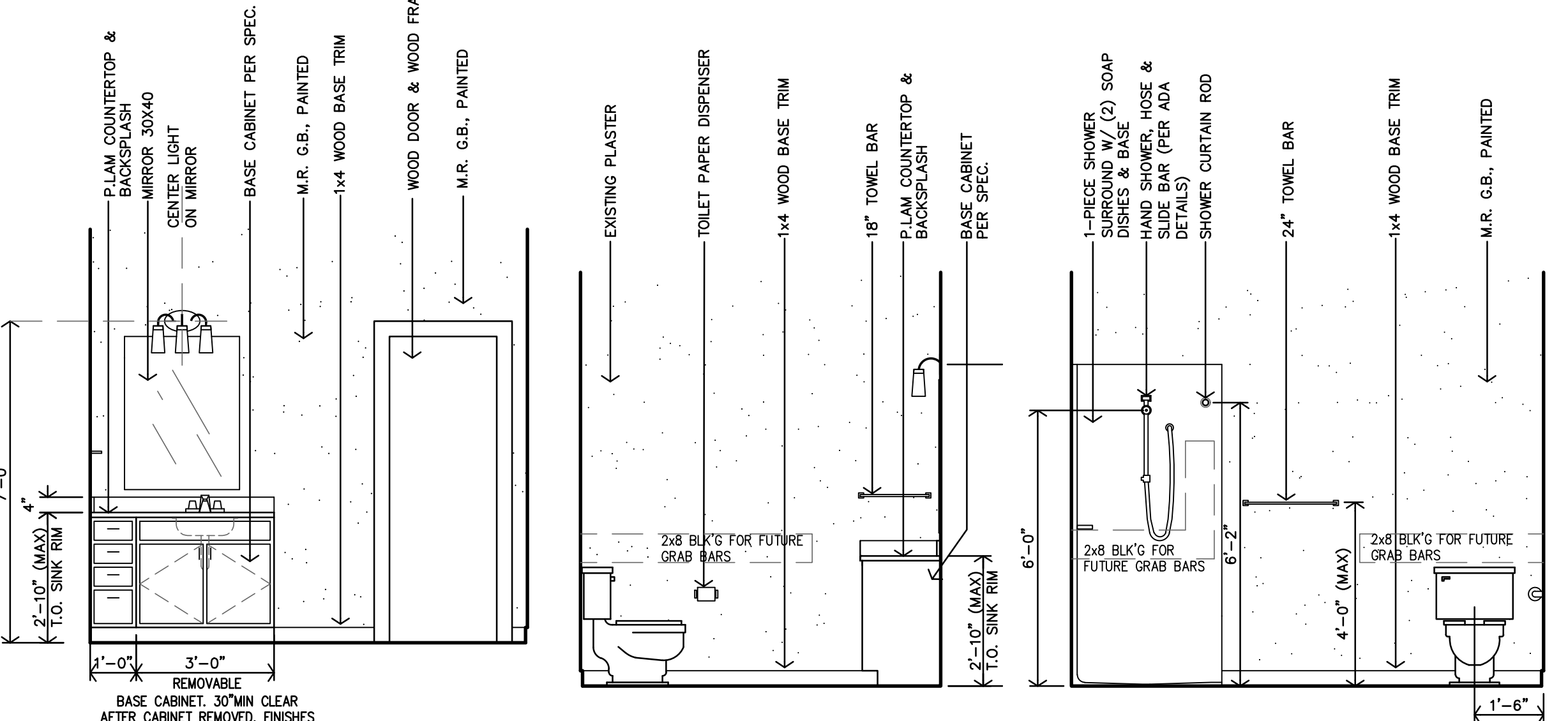
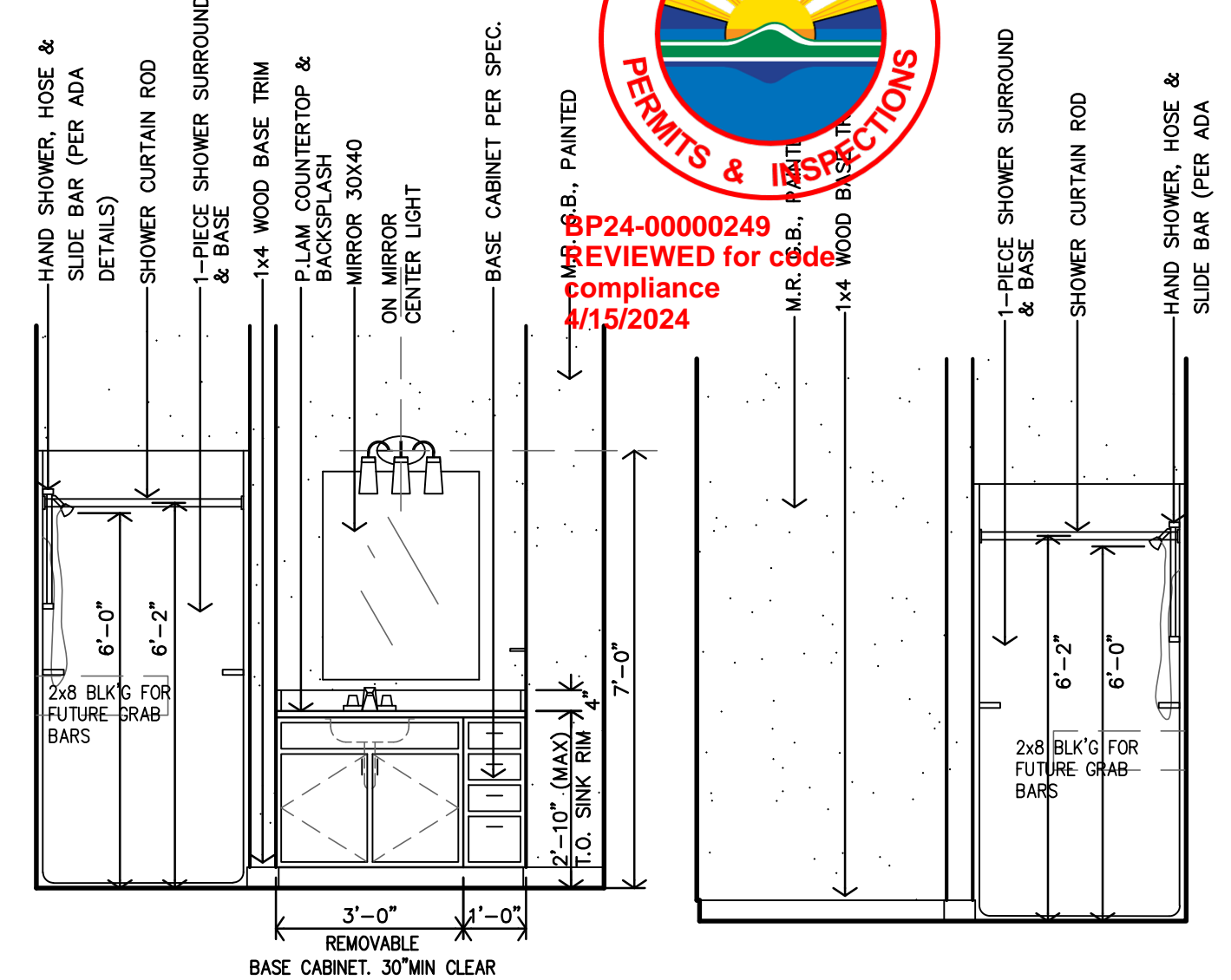
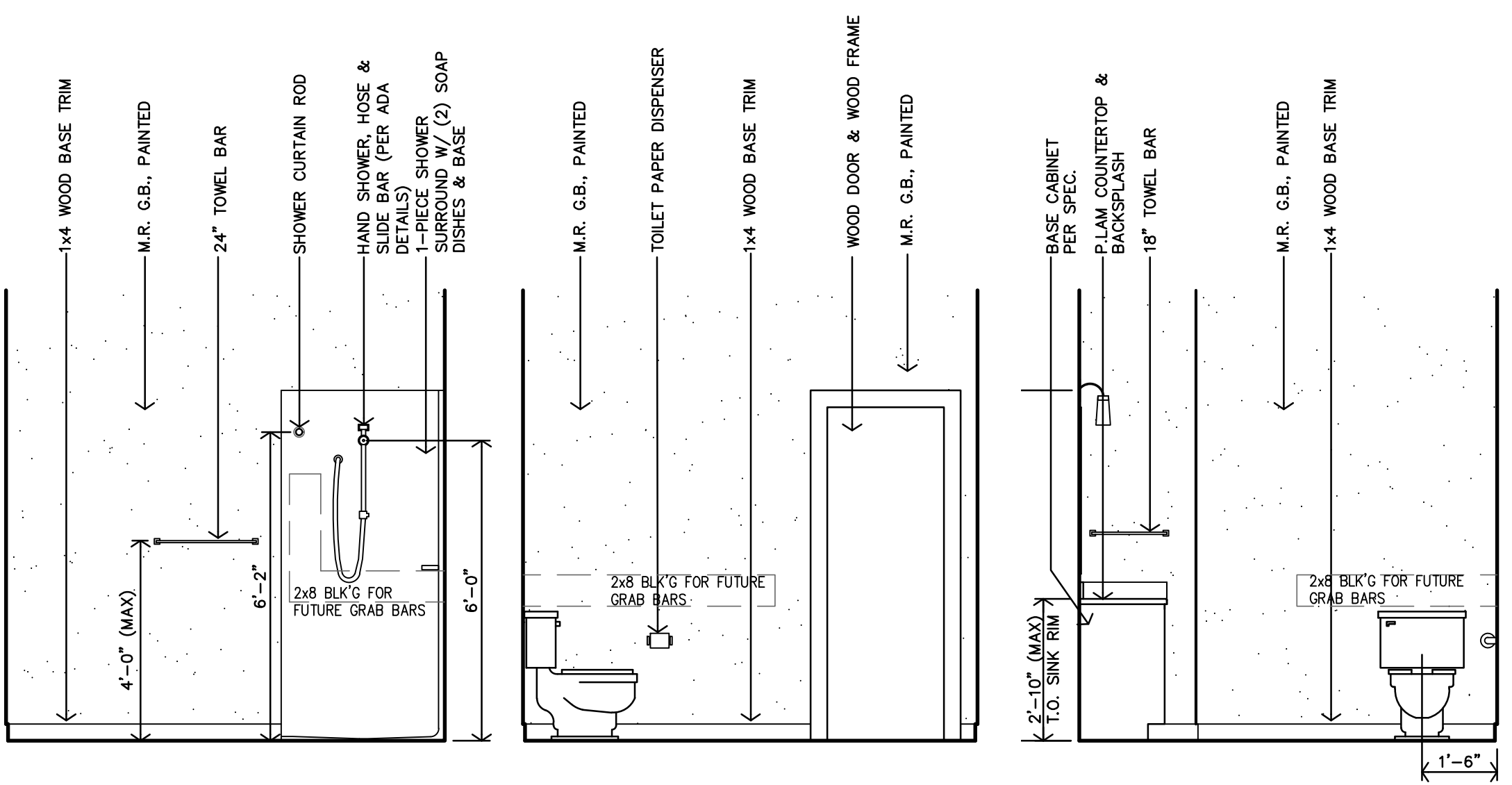
Jones Gillam Renz
 1881 Main Street, Suite 301
 Salina, KS 67401
 785.827.0386
 jgr@jgarchitects.com

ROOSEVELT LOFTS
 HISTORIC REHABILITATION - APARTMENTS
 SAN ANGELO, TEXAS

COPYRIGHTED



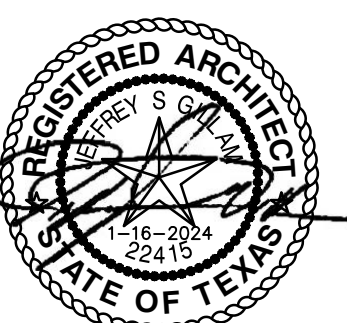
APR 18 2024
 REVIEWED FOR CODE COMPLIANCE
 4/15/2024



JonesGillamRenz
 1881 Main Street, Suite 301
 Salina, KS 67401
 785.827.0386
 jgr@jgarchitects.com



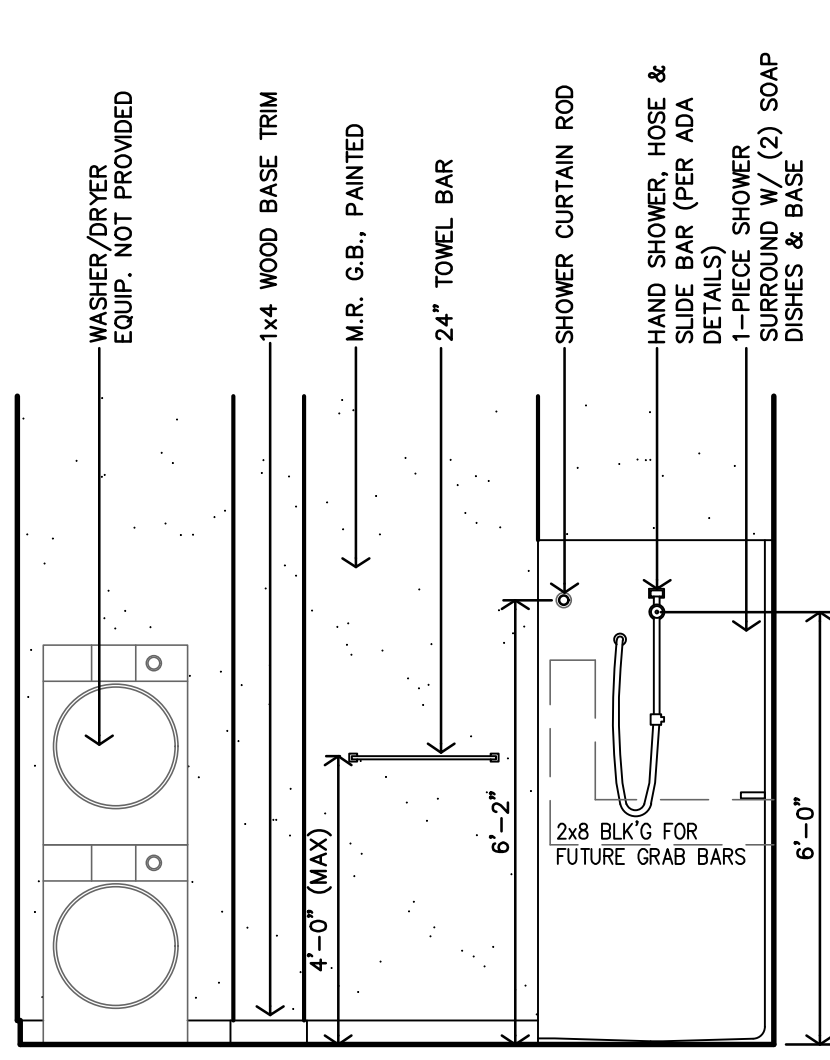
ROOSEVELT LOFTS
 HISTORIC REHABILITATION - APARTMENTS
 SAN ANGELO, TEXAS



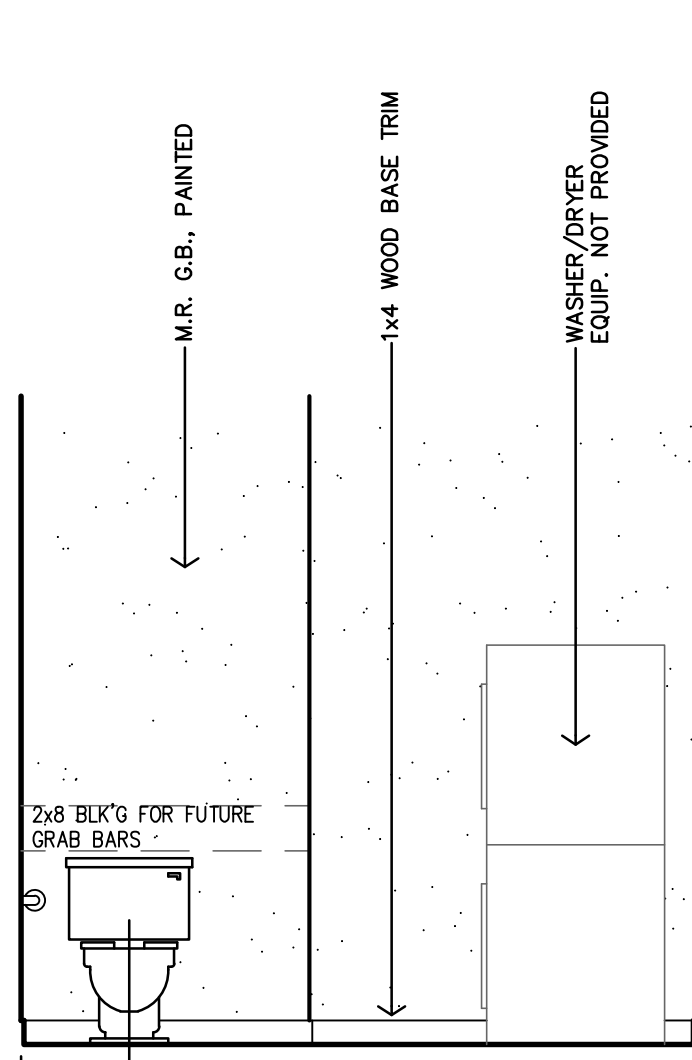
REVISION:
 DATE: 1-16-2024
 JOB: 22-3281
 SHEET NO.:

A8.4

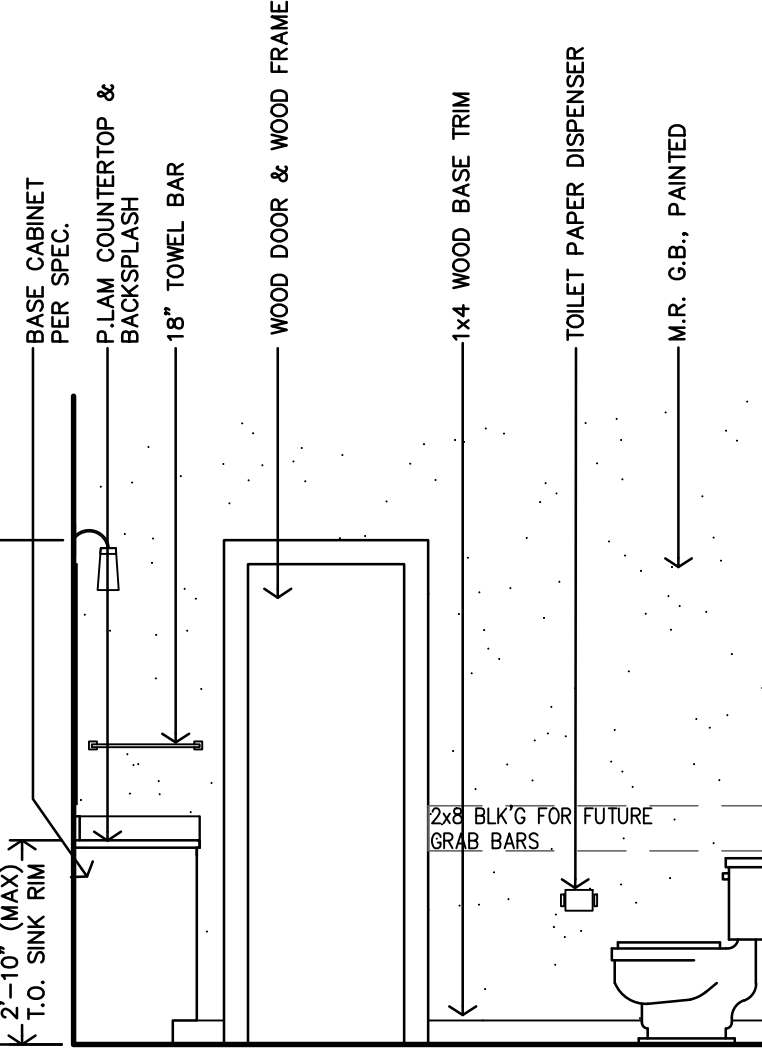
COPYRIGHTED



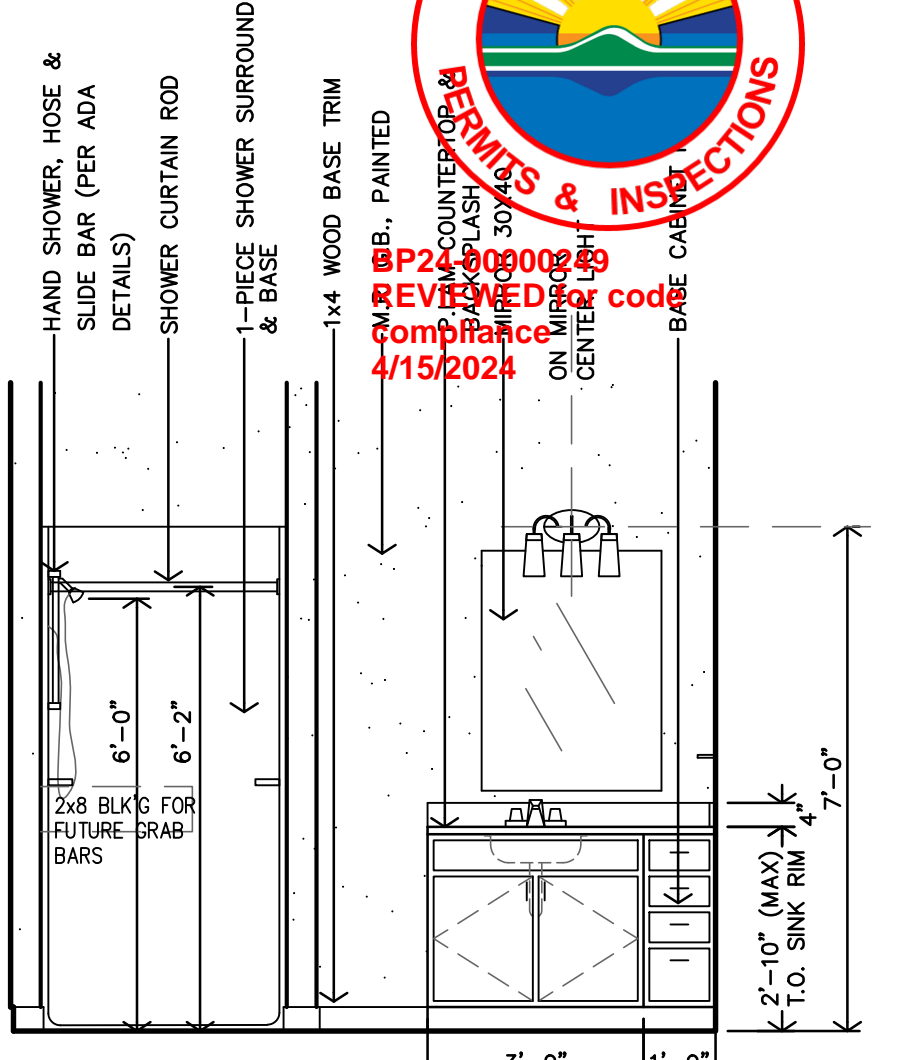
V ADAPTABLE BATH - TYPE #11 INTERIOR ELEVATION
3/8"=1'-0"



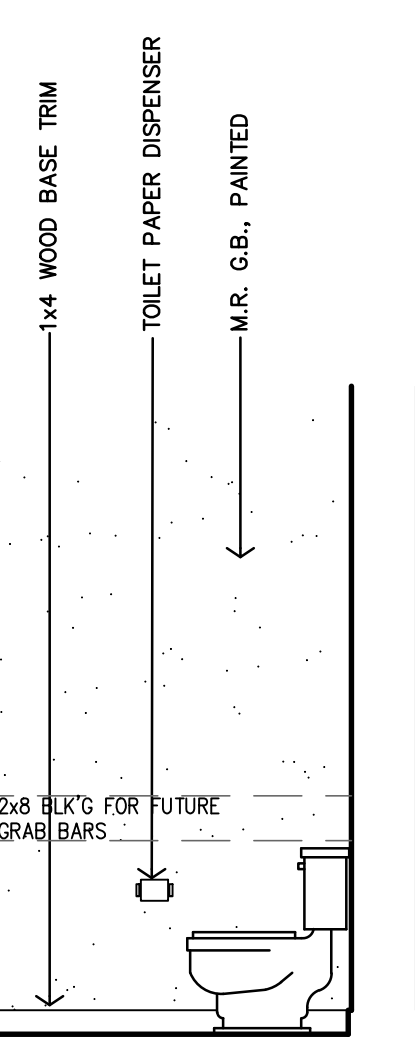
U ADAPTABLE BATH - TYPE #11 INTERIOR ELEVATION
3/8"=1'-0"



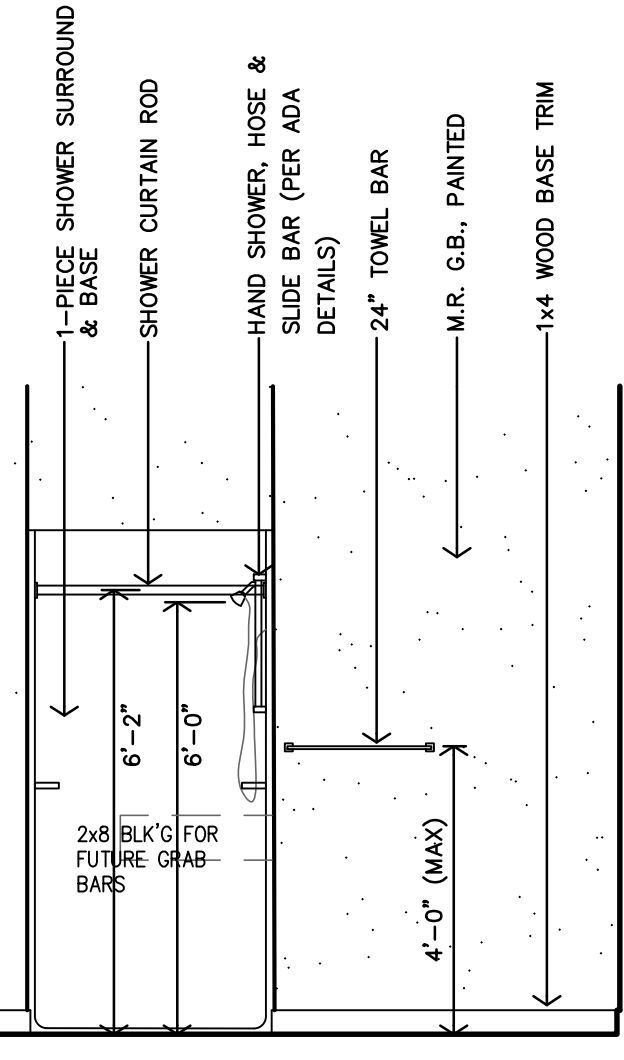
T ADAPTABLE BATH - TYPE #11 INTERIOR ELEVATION
3/8"=1'-0"



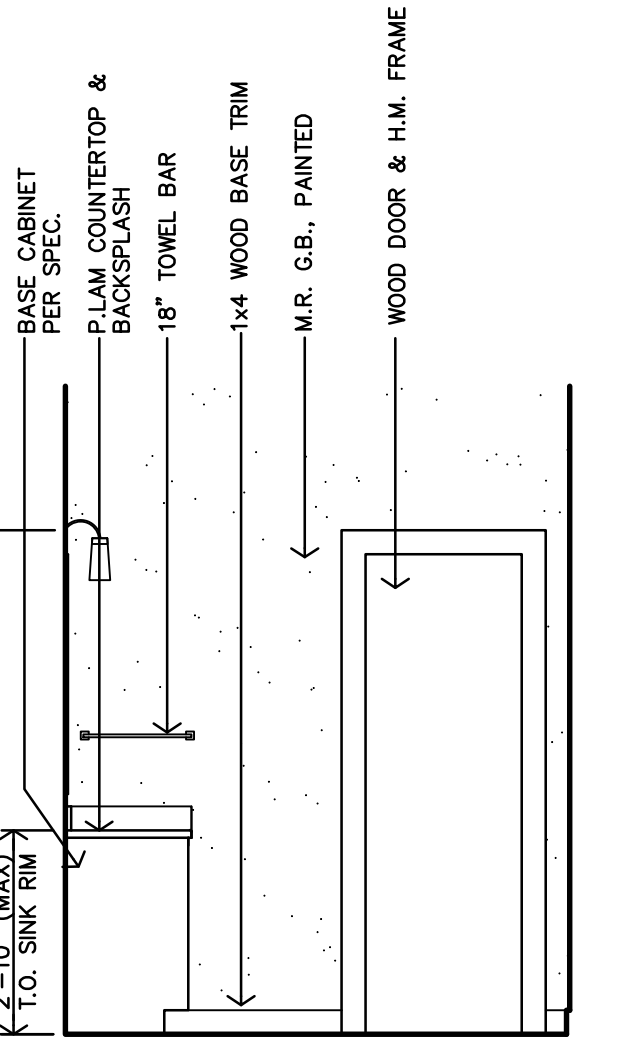
S ADAPTABLE BATH - TYPE #11 INTERIOR ELEVATION
3/8"=1'-0"



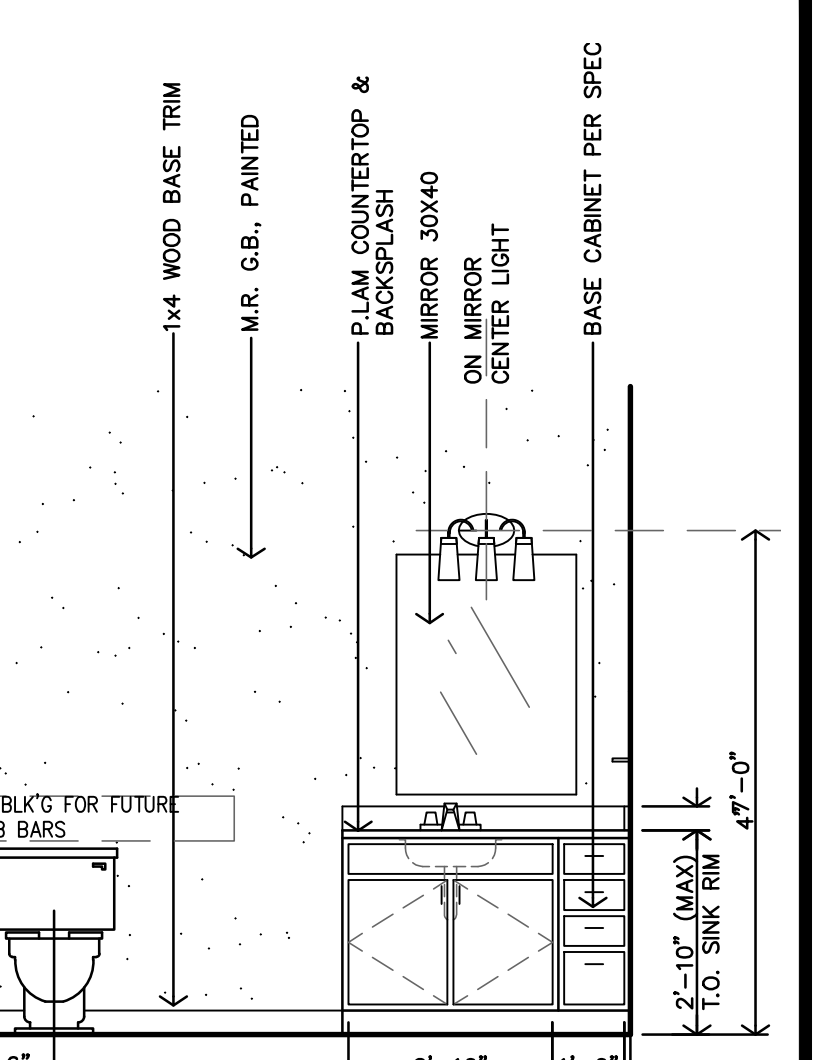
R ADAPTABLE BATH - TYPE #10 INTERIOR ELEVATION
3/8"=1'-0"



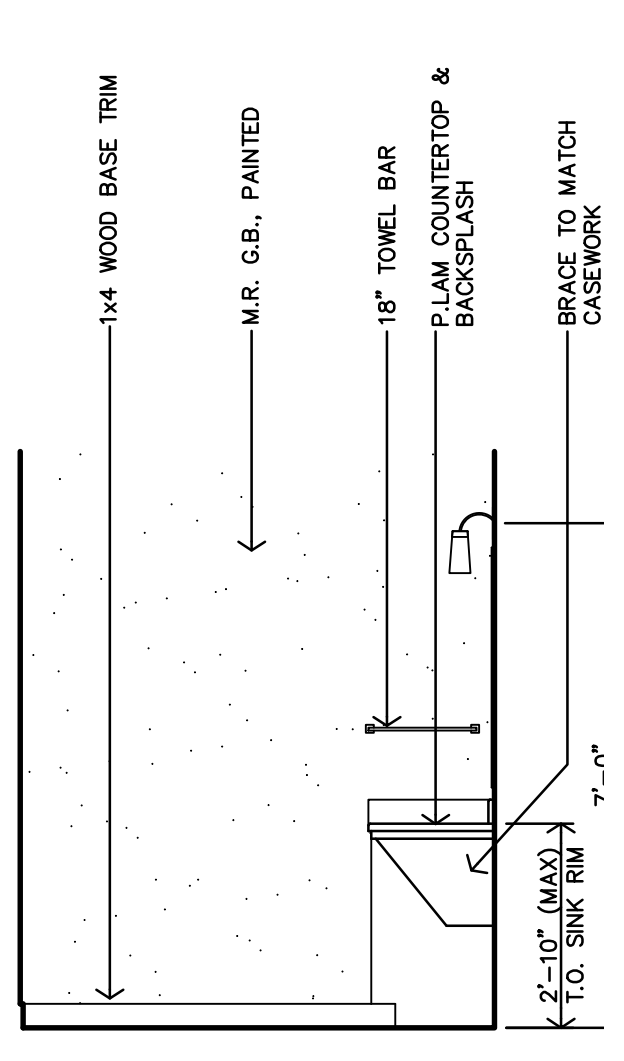
Q ADAPTABLE BATH - TYPE #10 INTERIOR ELEVATION
3/8"=1'-0"



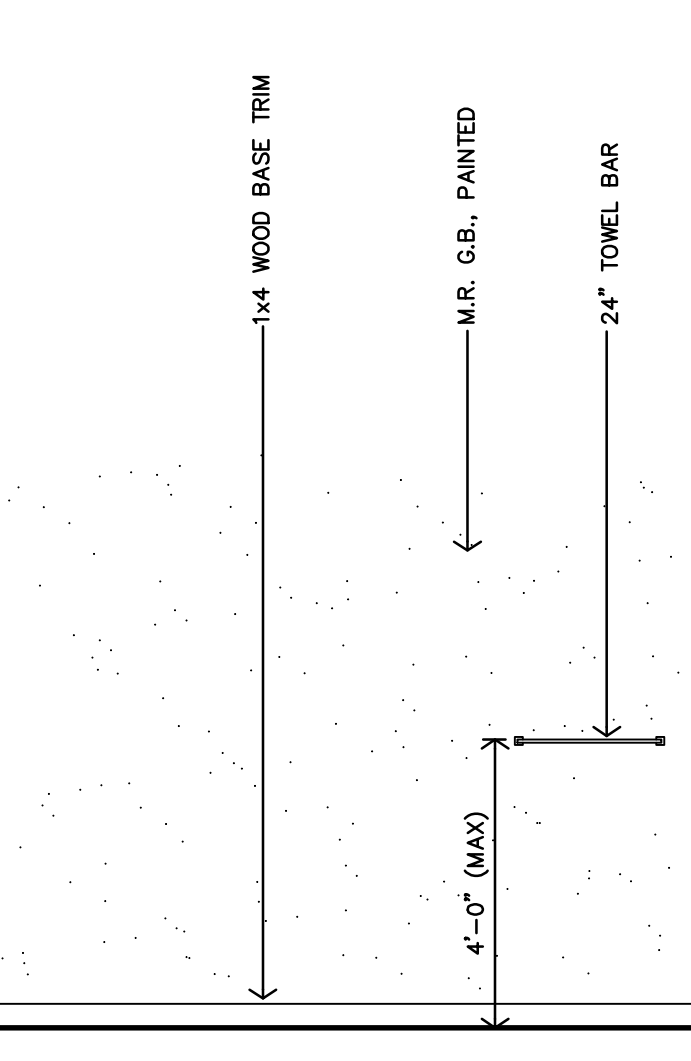
P ADAPTABLE BATH - TYPE #10 INTERIOR ELEVATION
3/8"=1'-0"



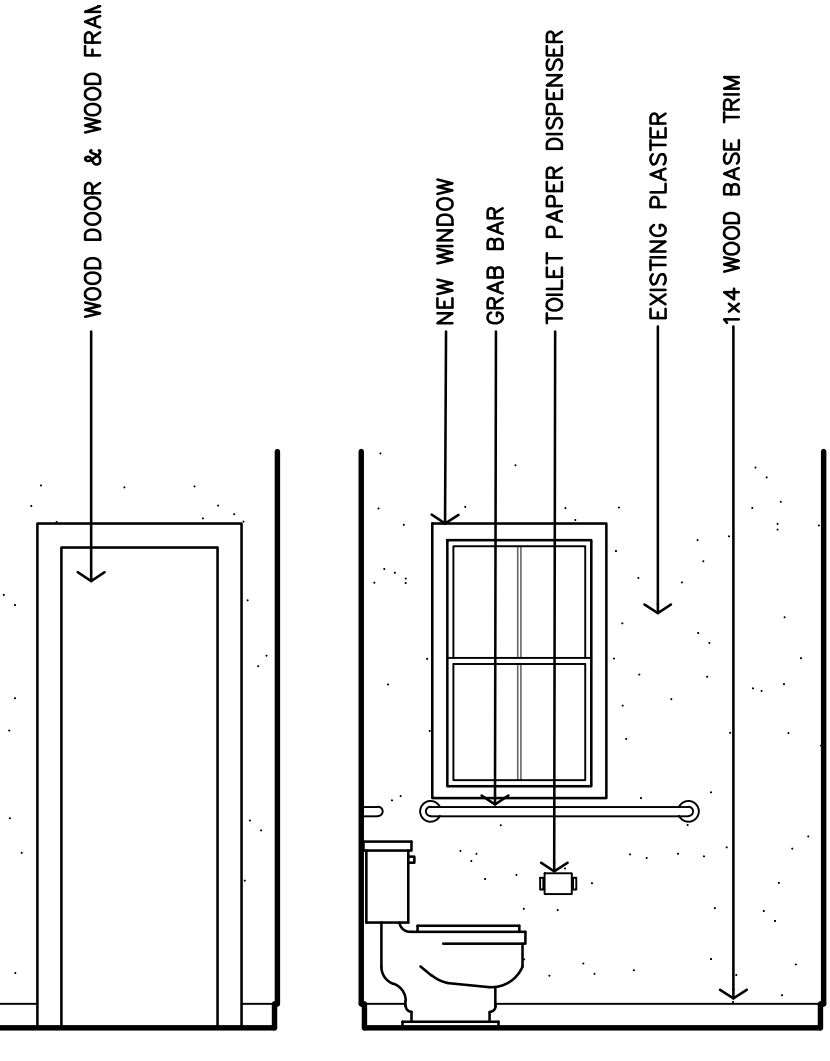
N ADAPTABLE BATH - TYPE #10 INTERIOR ELEVATION
3/8"=1'-0"



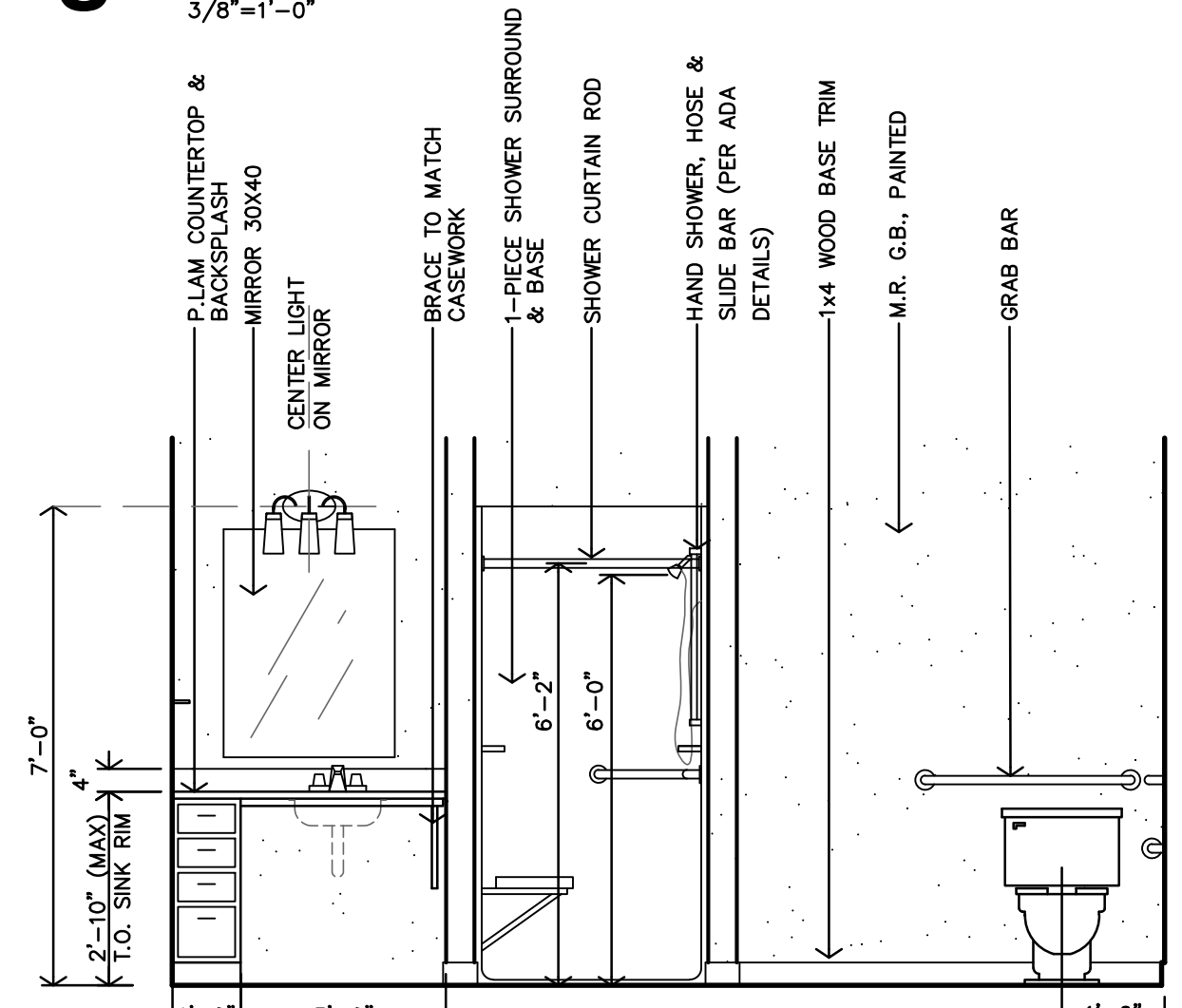
M ACCESSIBLE BATH - TYPE #9 INTERIOR ELEVATION
3/8"=1'-0"



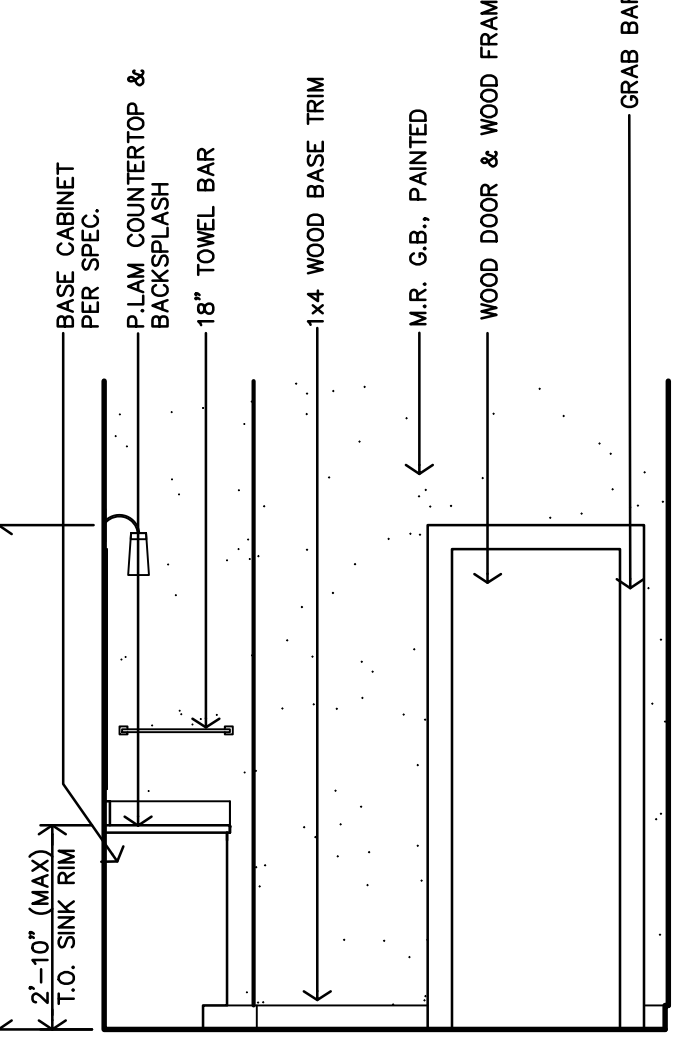
L ACCESSIBLE BATH - TYPE #9 INTERIOR ELEVATION
3/8"=1'-0"



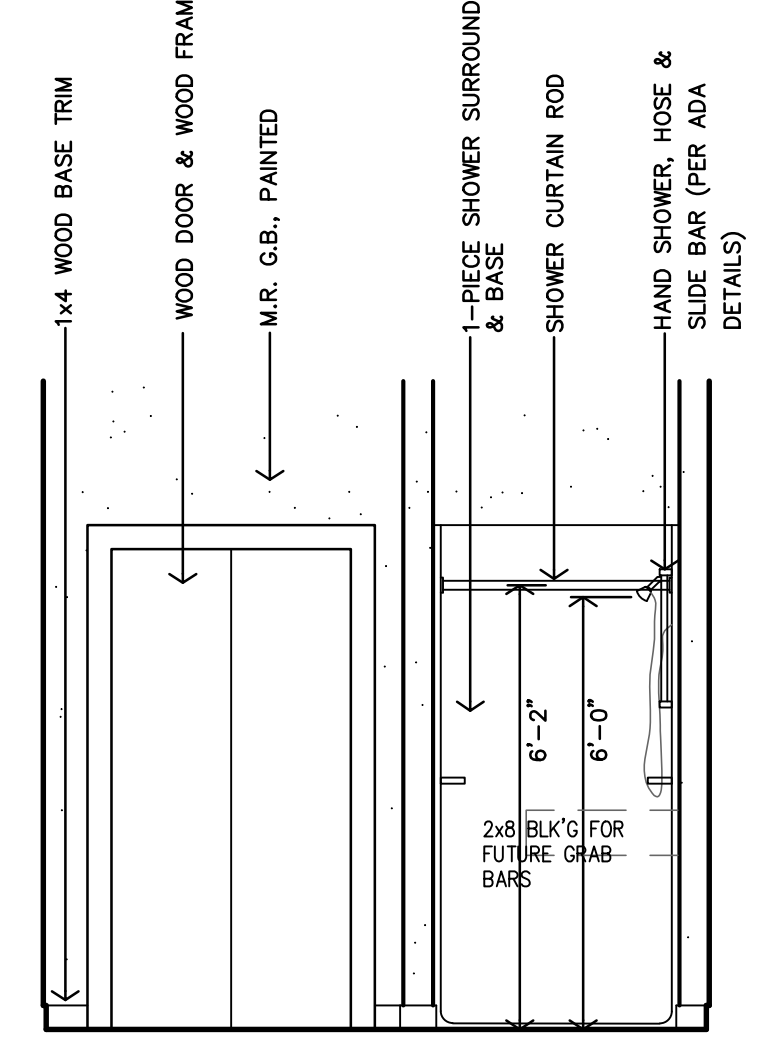
K ACCESSIBLE BATH - TYPE #9 INTERIOR ELEVATION
3/8"=1'-0"



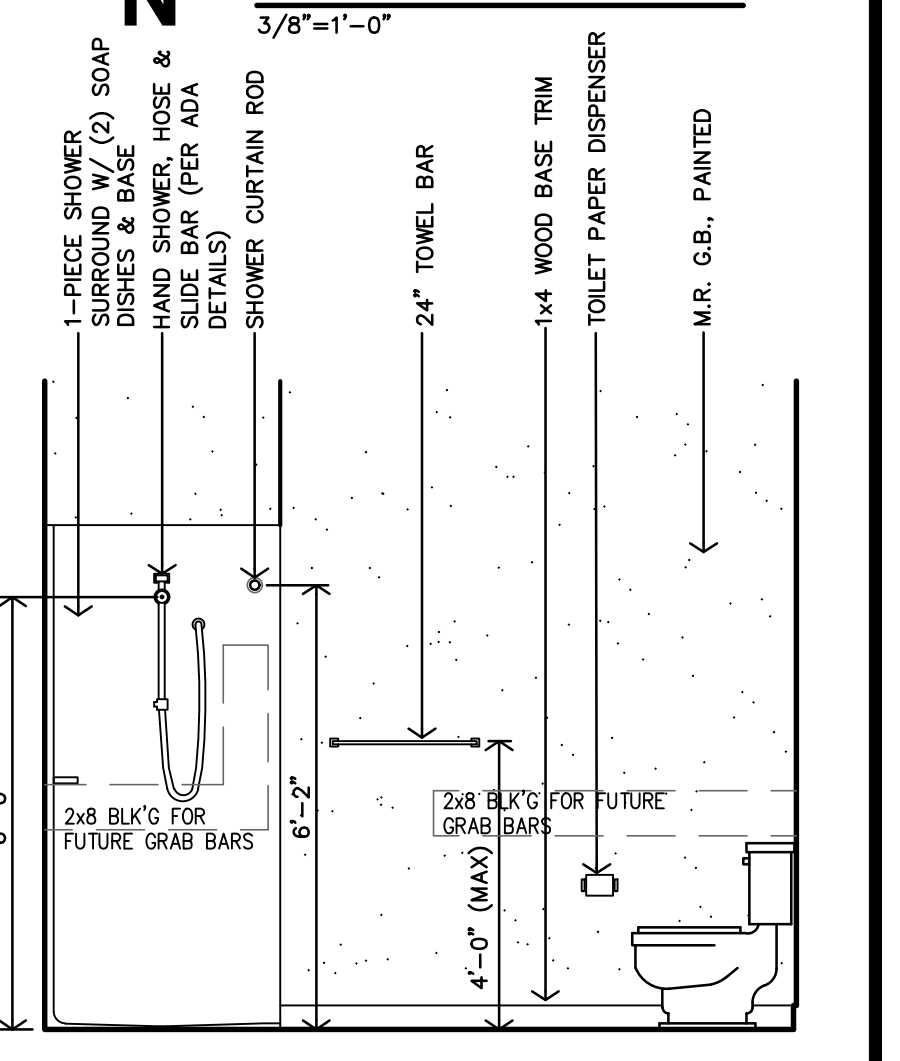
J ACCESSIBLE BATH - TYPE #9 INTERIOR ELEVATION
3/8"=1'-0"



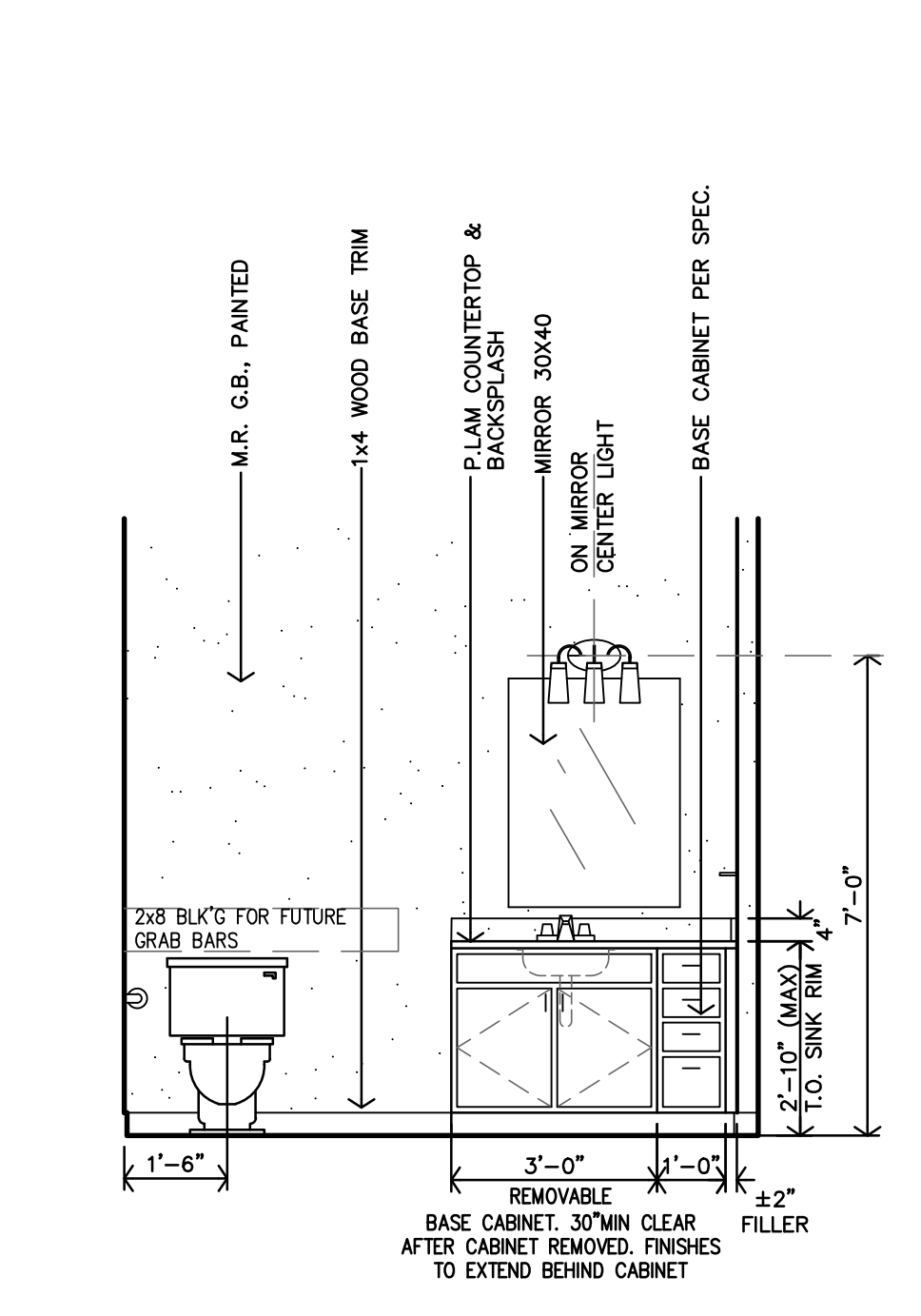
H ADAPTABLE BATH - TYPE #8 INTERIOR ELEVATION
3/8"=1'-0"



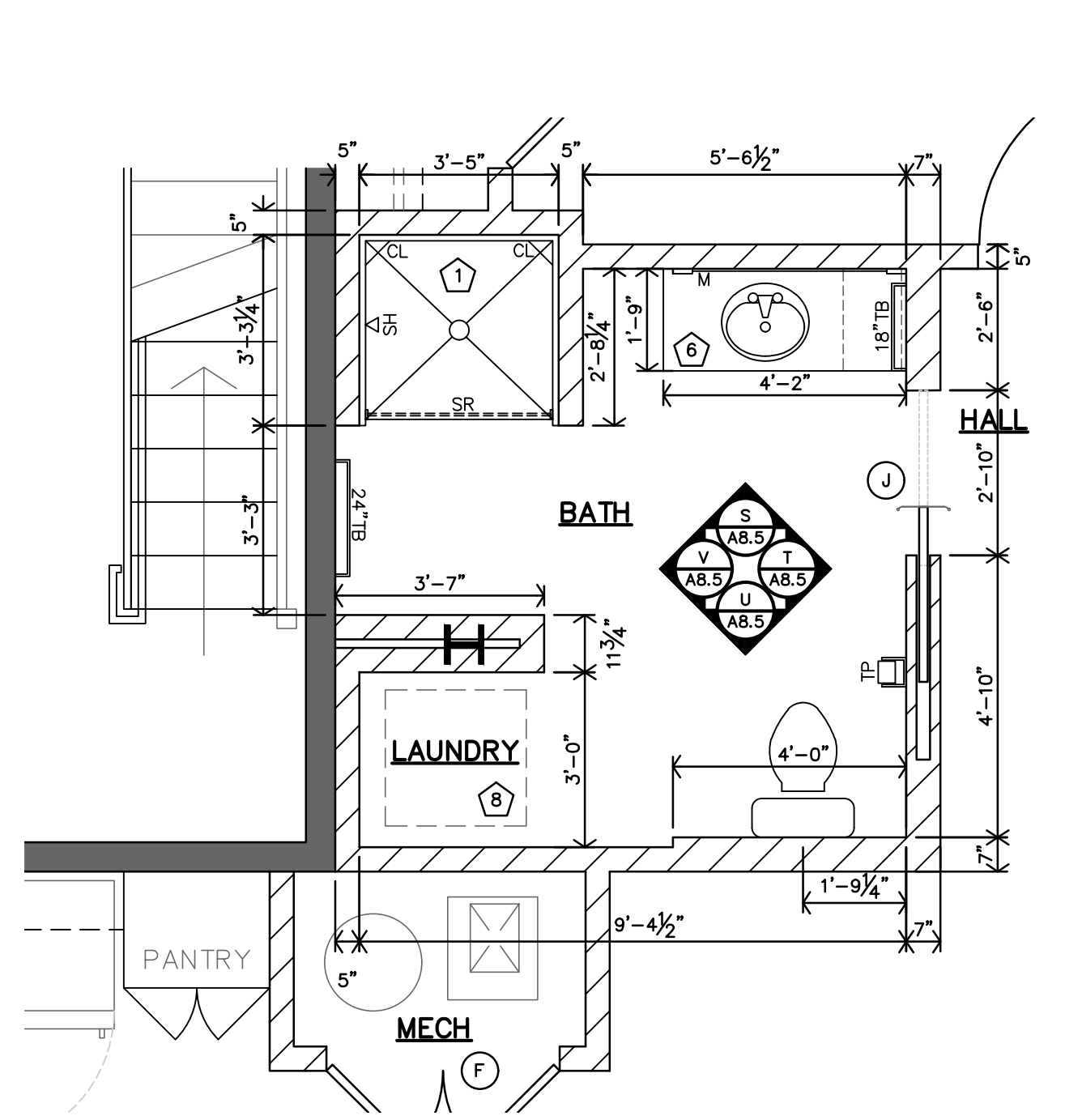
G ADAPTABLE BATH - TYPE #8 INTERIOR ELEVATION
3/8"=1'-0"



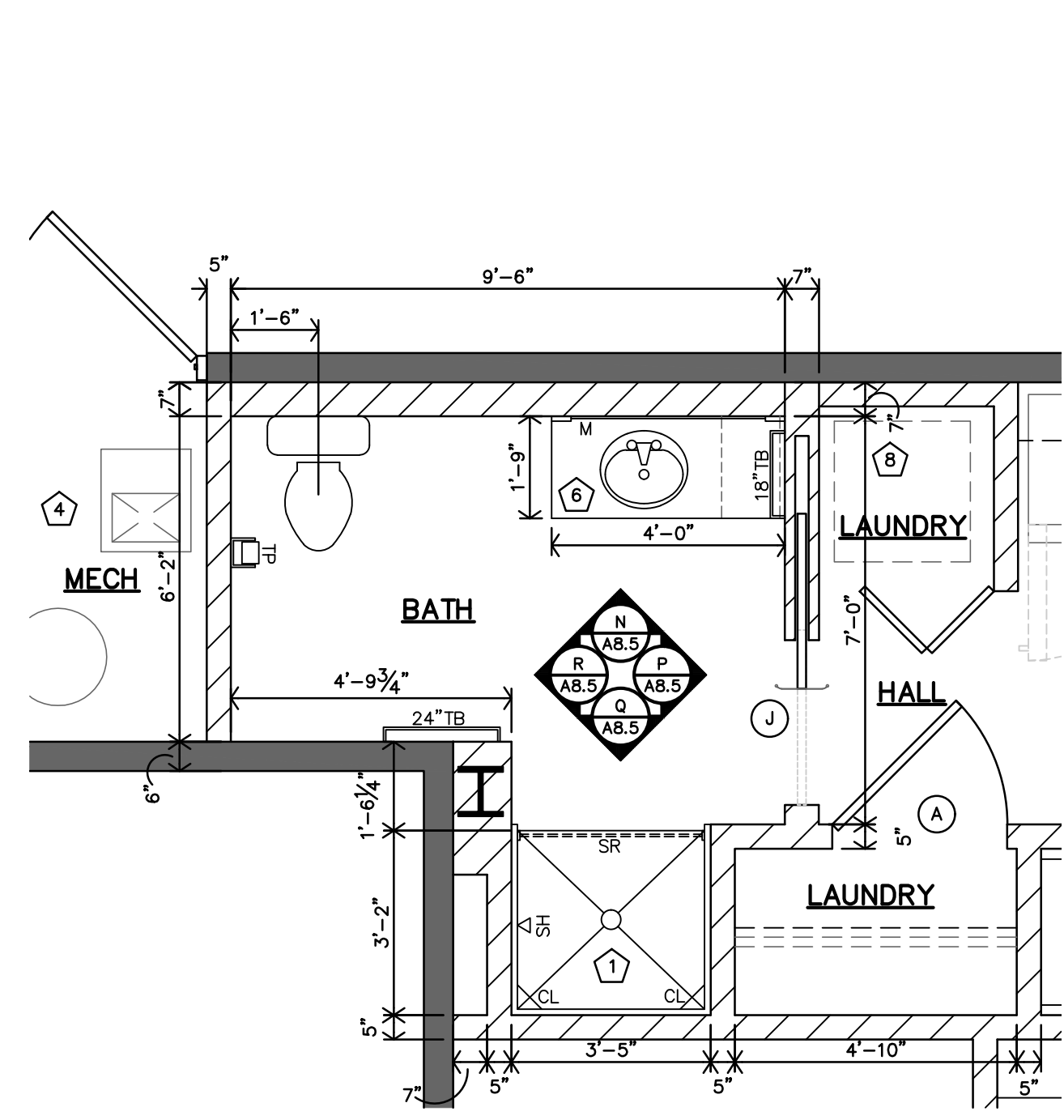
F ADAPTABLE BATH - TYPE #8 INTERIOR ELEVATION
3/8"=1'-0"



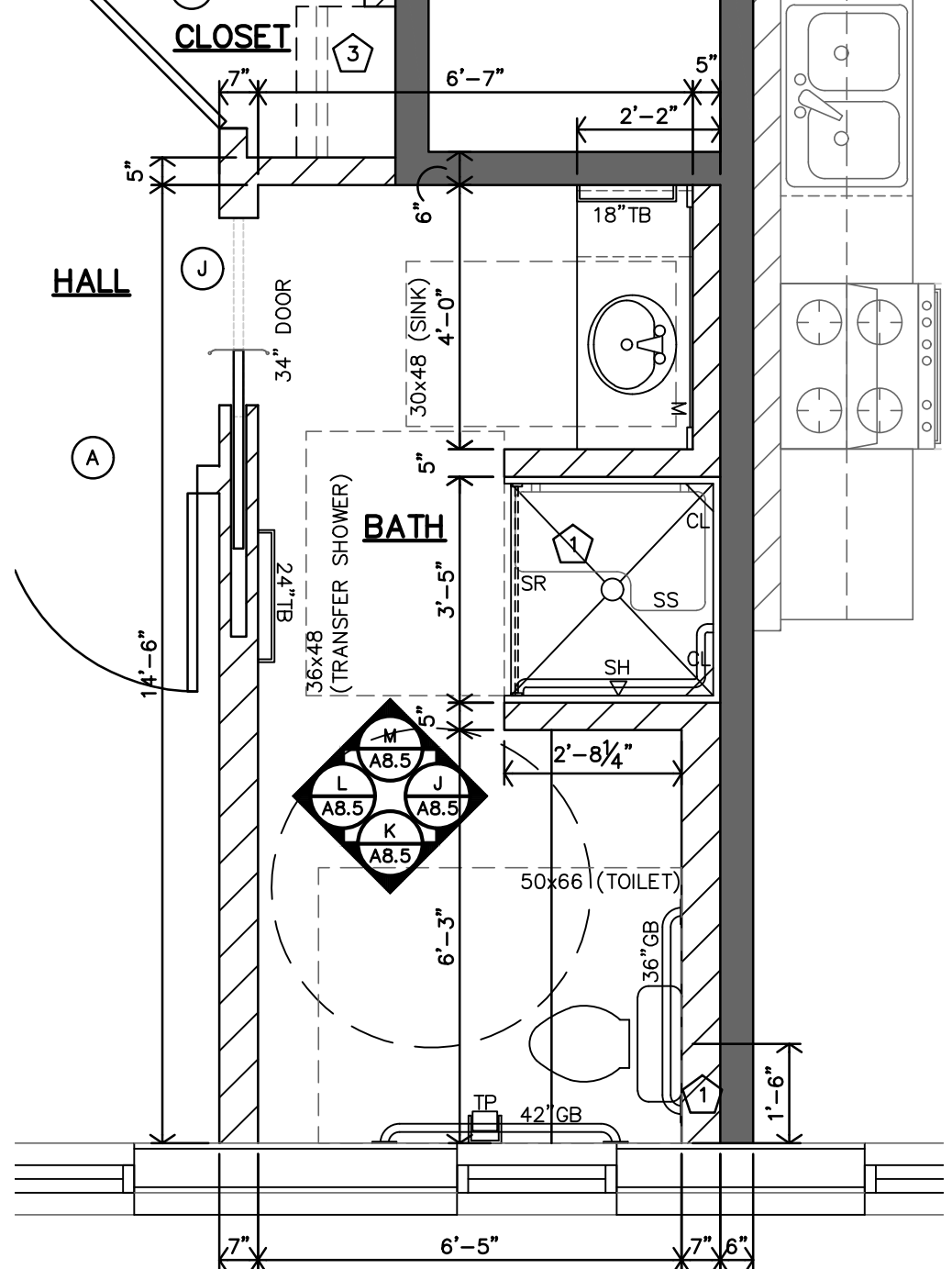
E ADAPTABLE BATH - TYPE #8 INTERIOR ELEVATION
3/8"=1'-0"



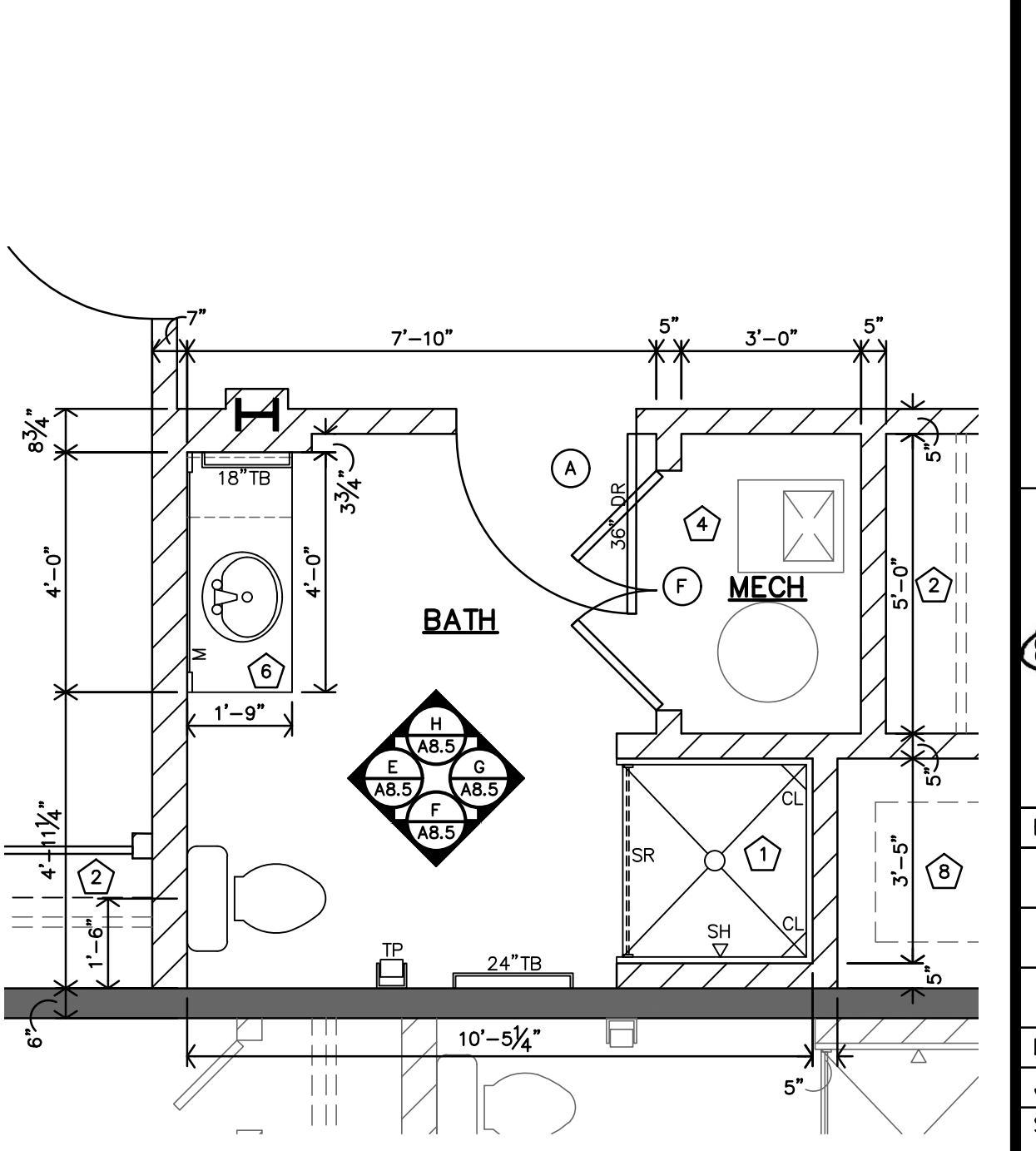
D TYPE 11 - ADAPTABLE ENLARGED BATH PLAN
3/8"=1'-0"
APT 17 (#213)
SIMILAR: APT. 25 (#313)



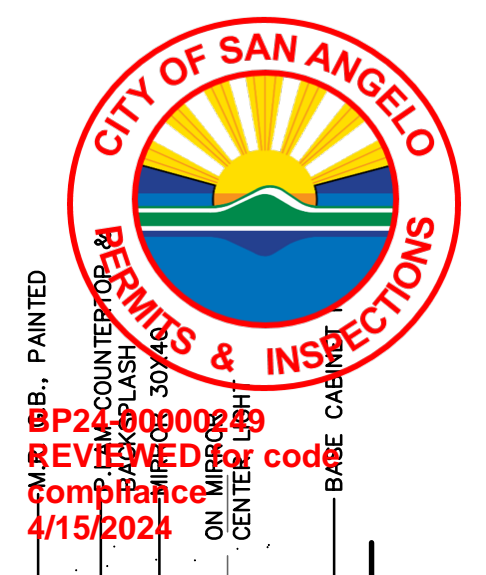
C TYPE 10 - ADAPTABLE ENLARGED BATH PLAN
3/8"=1'-0"
APT 14 (#209)
SIMILAR: APT. 22 (#309)



B TYPE 9 - ACCESSIBLE ENLARGED BATH PLAN
3/8"=1'-0"
APT 12 (#203)



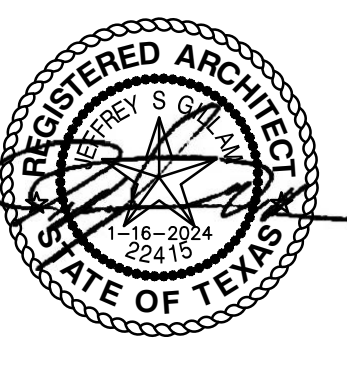
A TYPE 8 - ADAPTABLE ENLARGED BATH PLAN
3/8"=1'-0"
APT 10 (#201)
SIMILAR: APT. 18 (#301)



JonesGillamRenz
1881 Main Street, Suite 301
Salina, KS 67401
785.827.0386
jgr@jgarchitects.com



ROOSEVELT LOFTS
HISTORIC REHABILITATION - APARTMENTS
SAN ANGELO, TEXAS



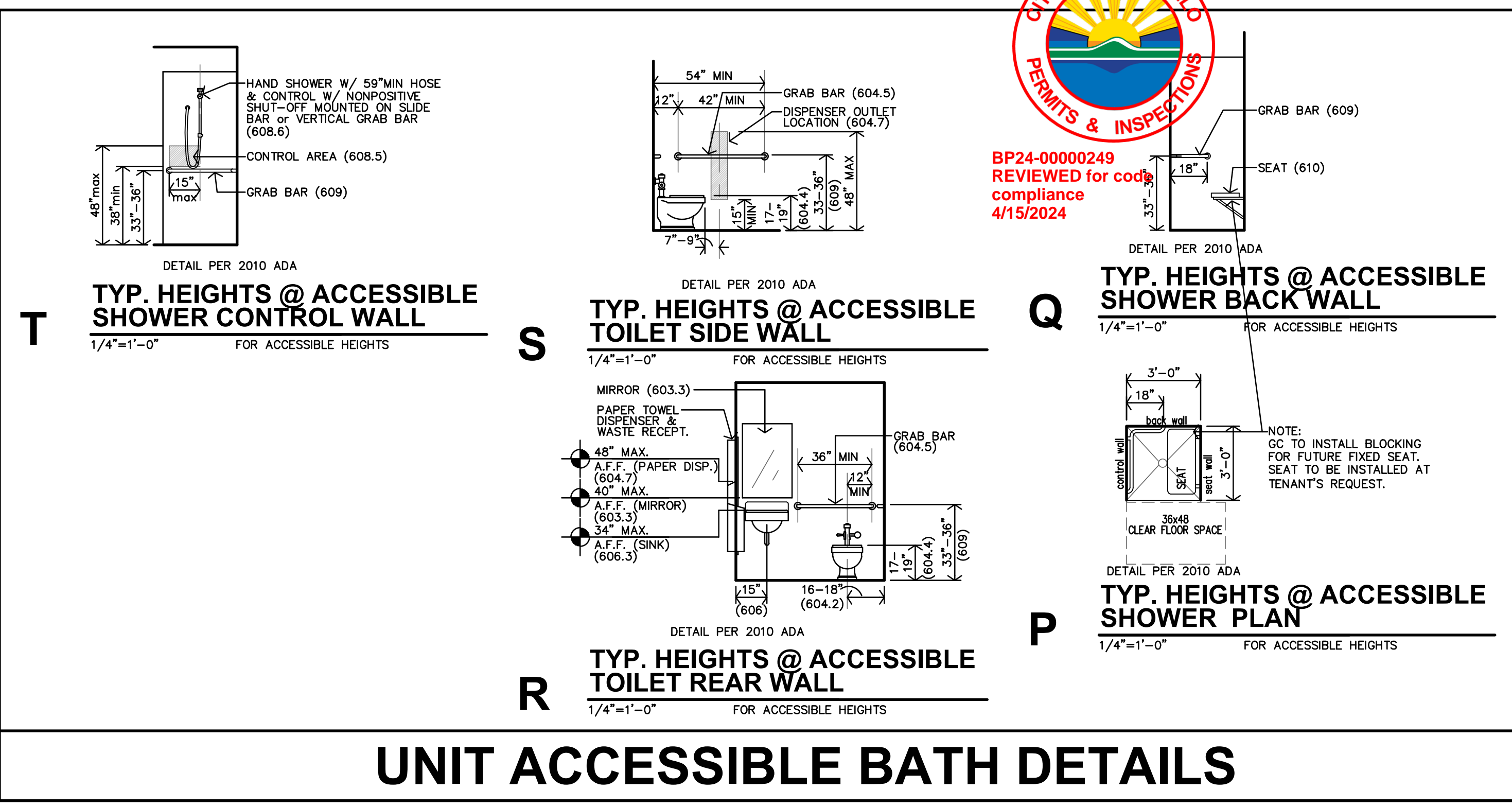
REVISION:
DATE: 1-16-2024
JOB: 22-3281
SHEET NO.:

A8.5

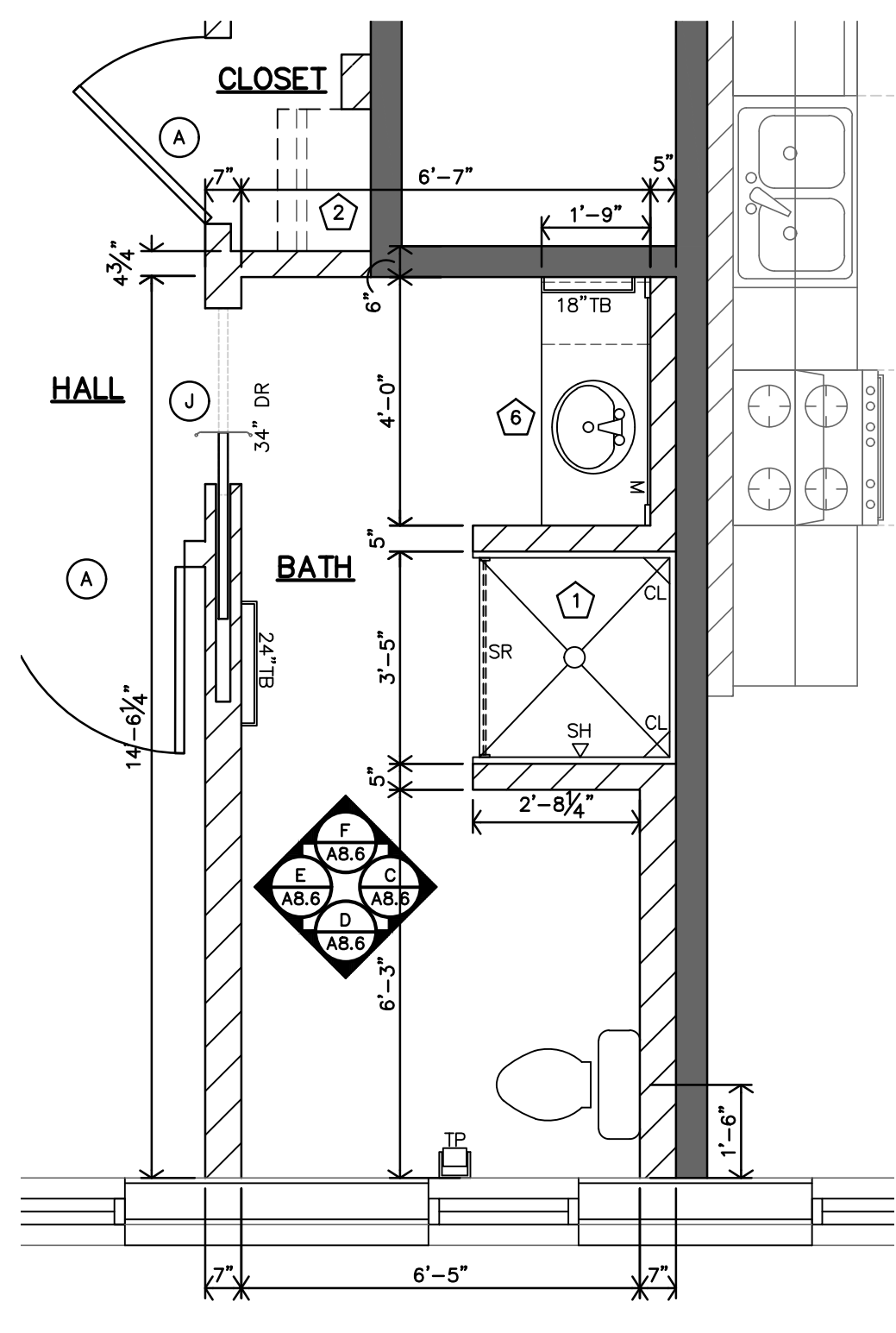
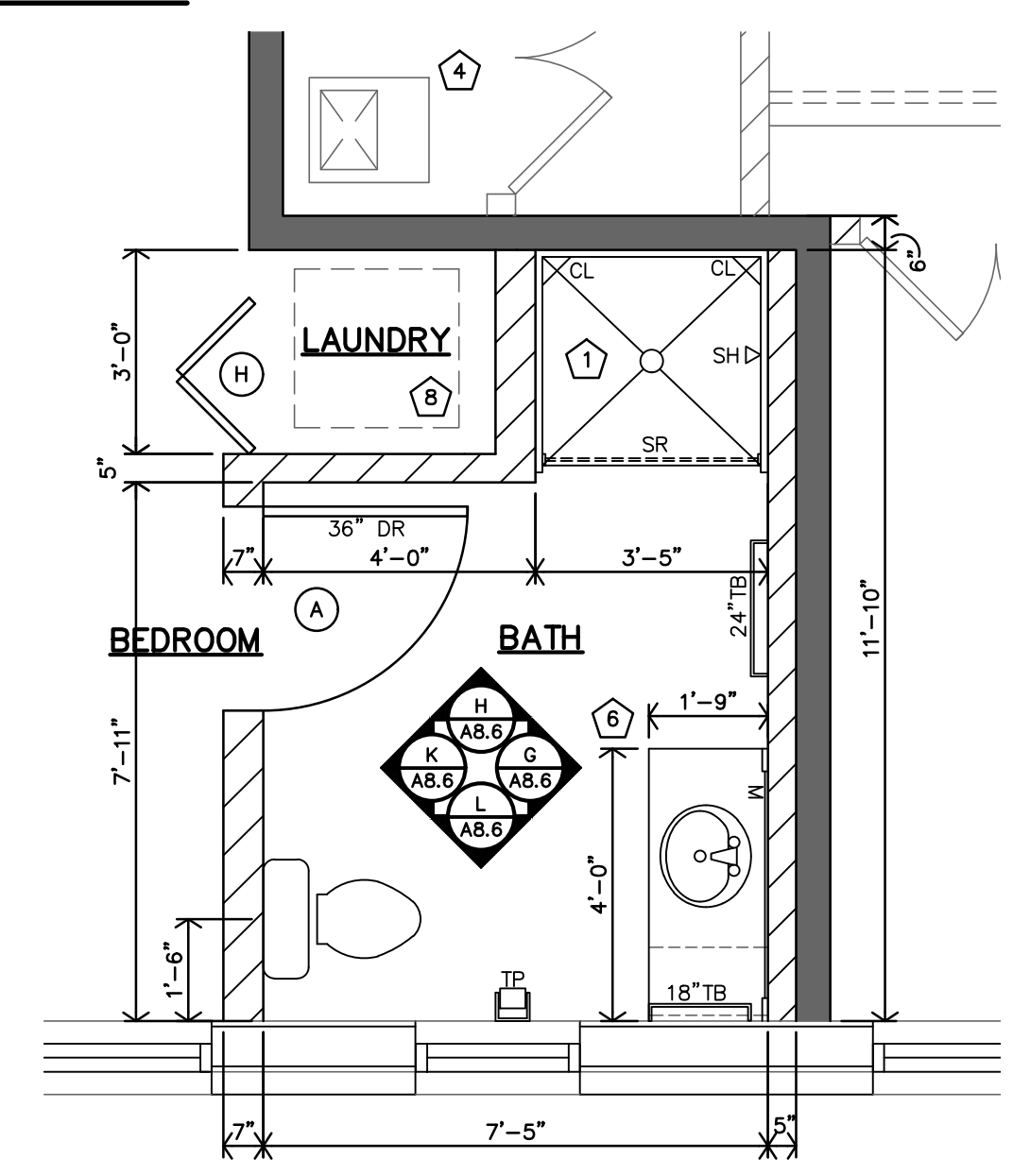
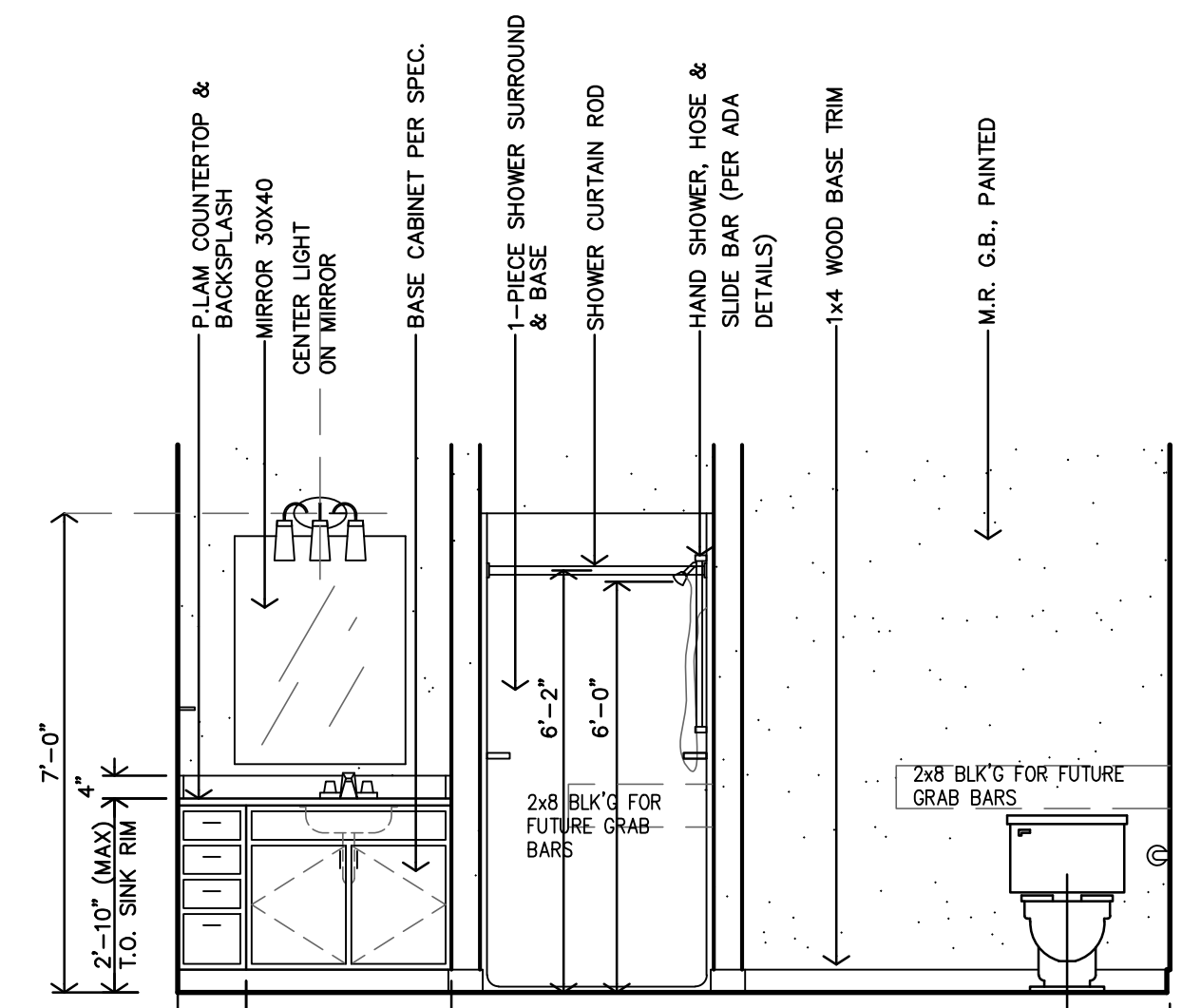
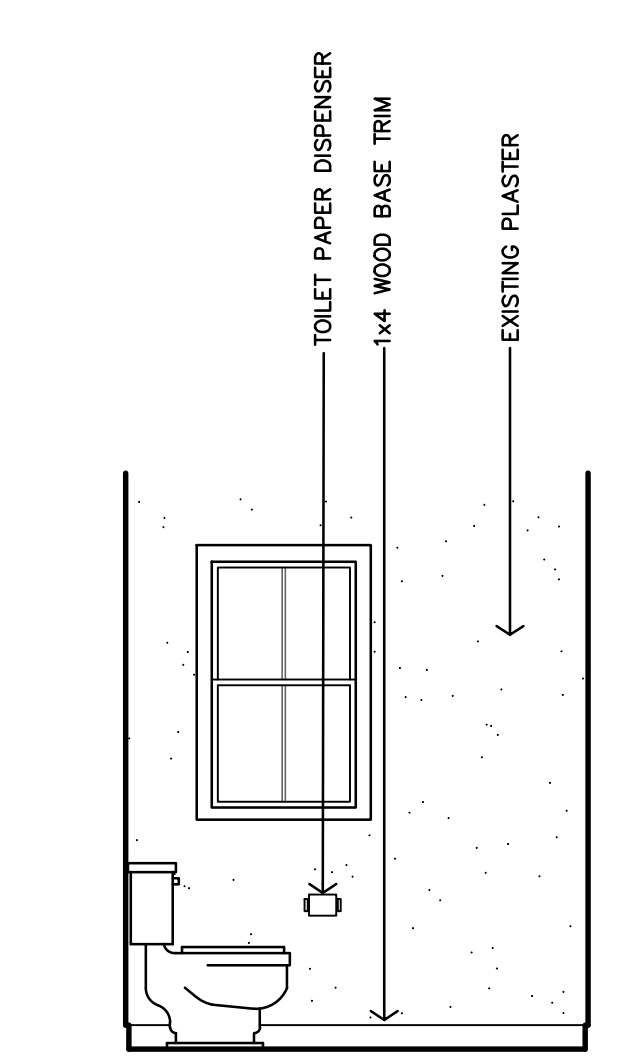
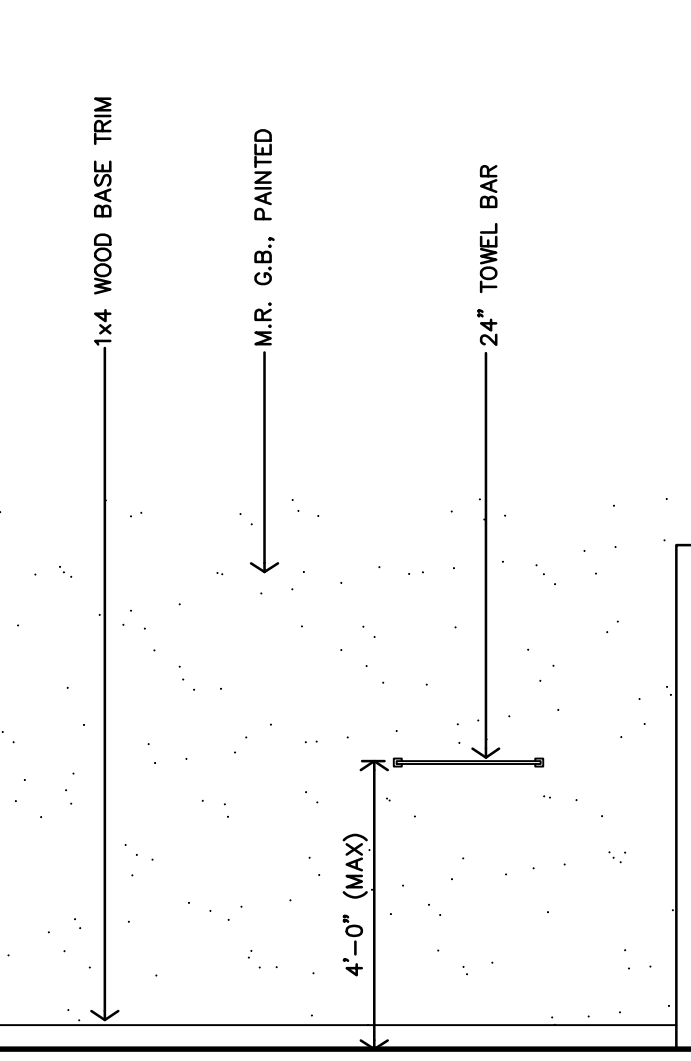
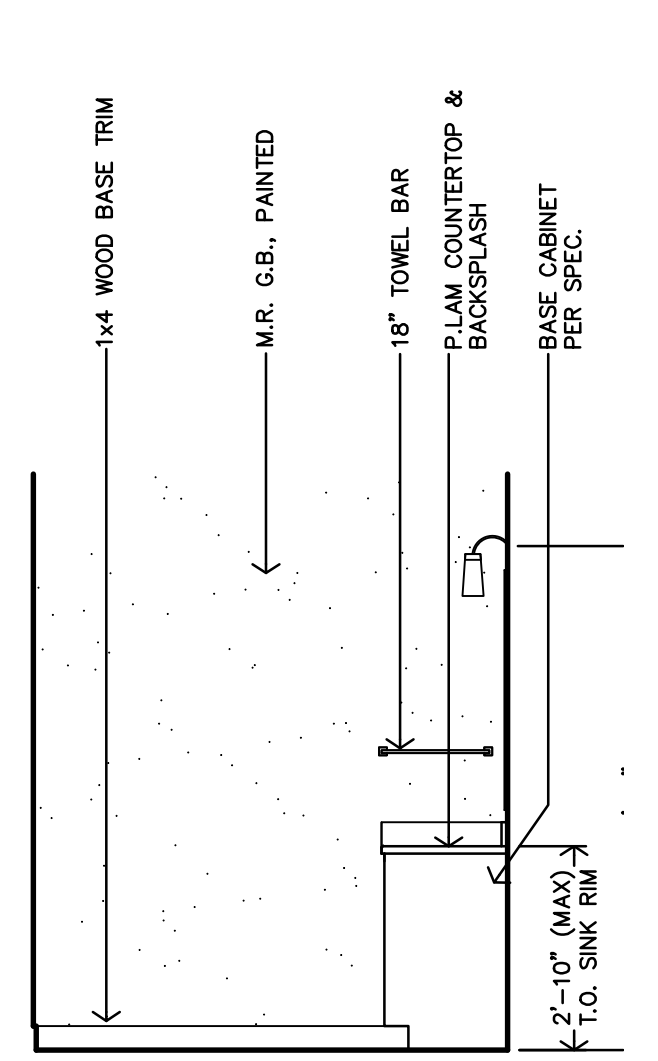
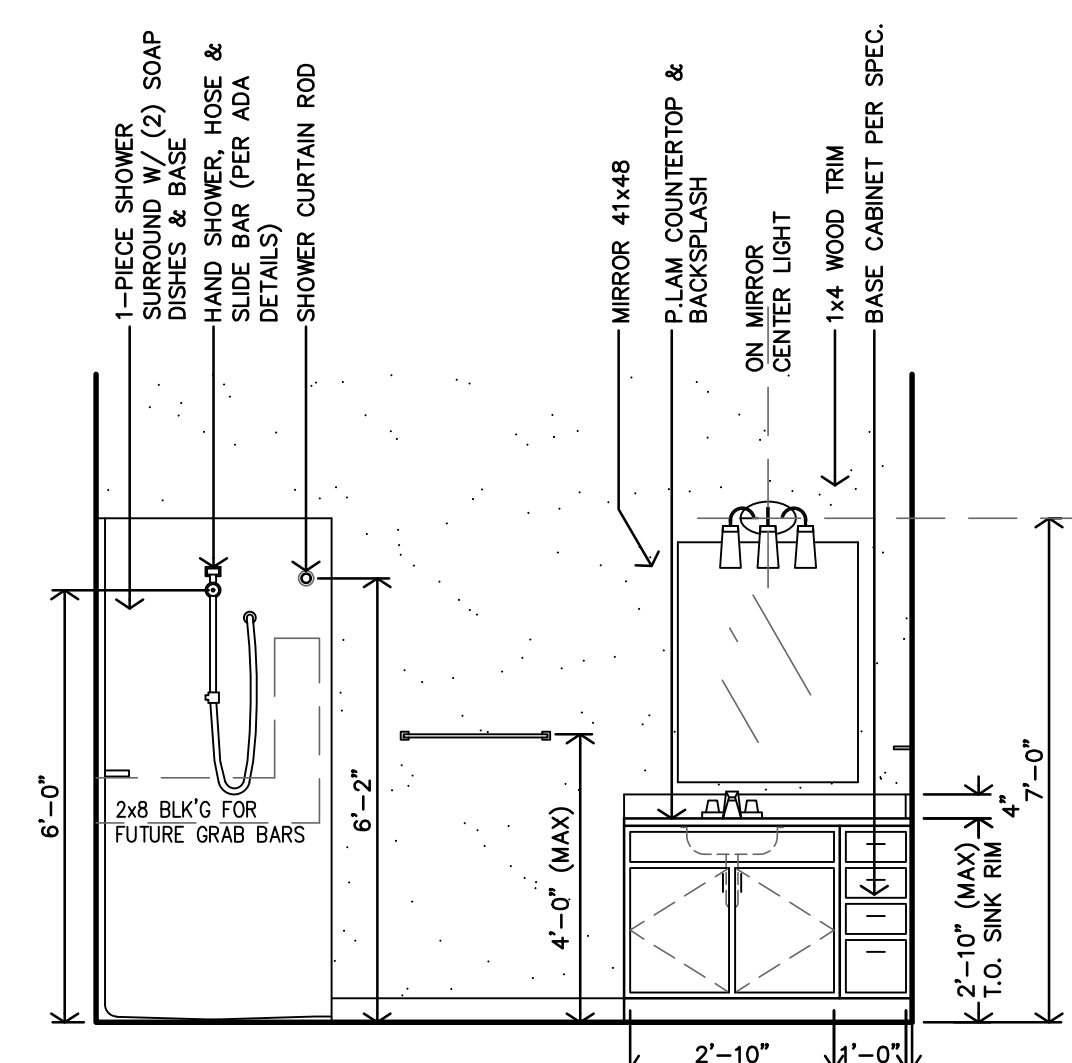
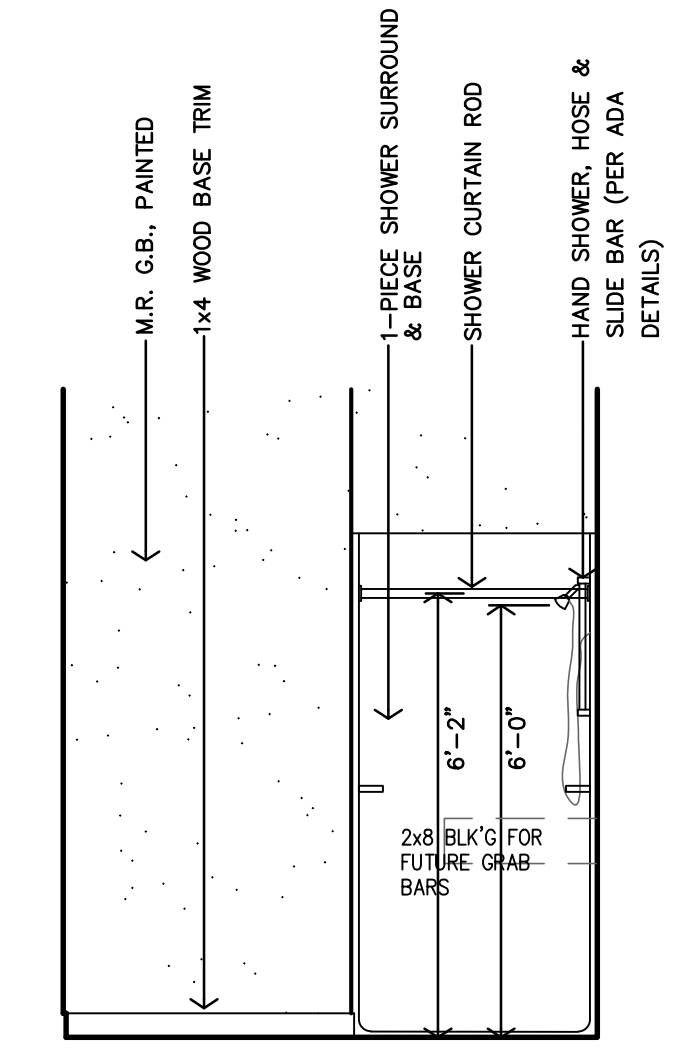
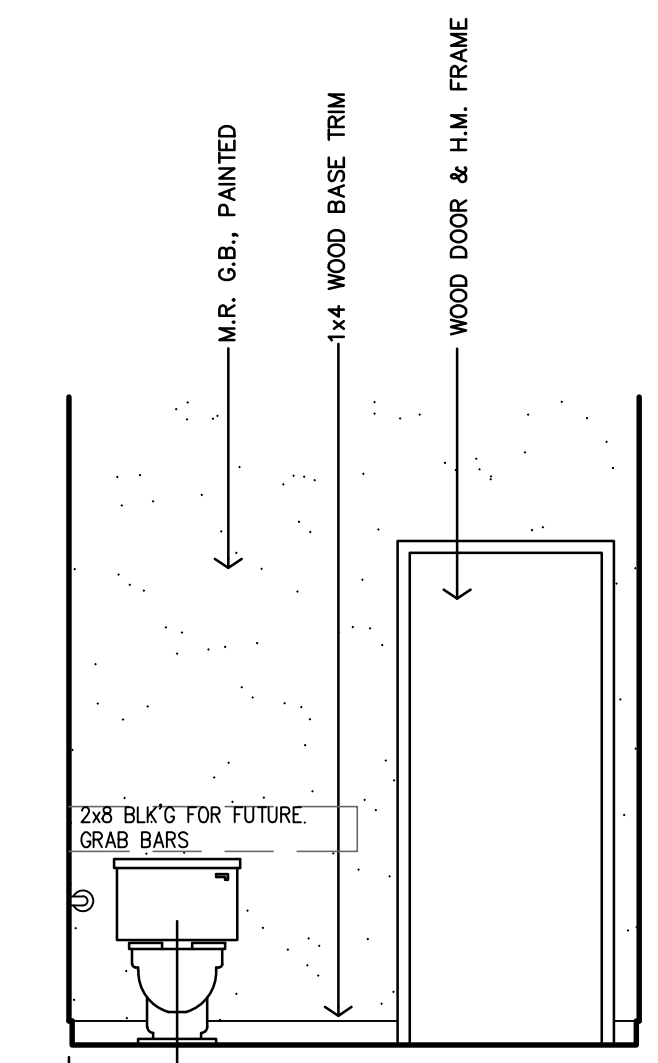
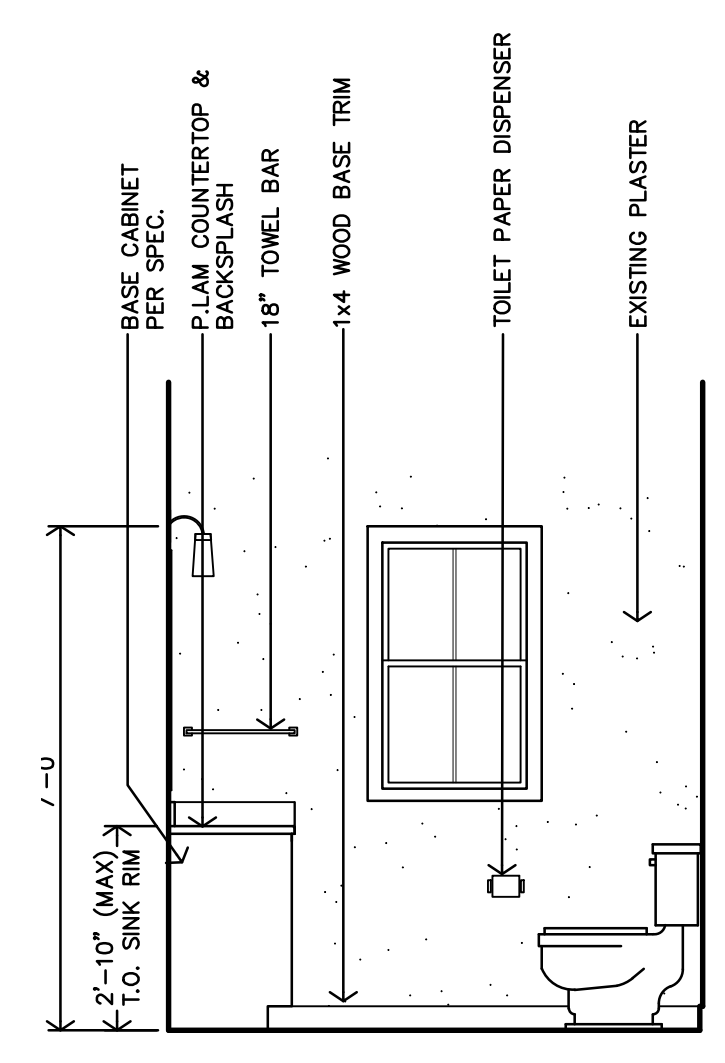
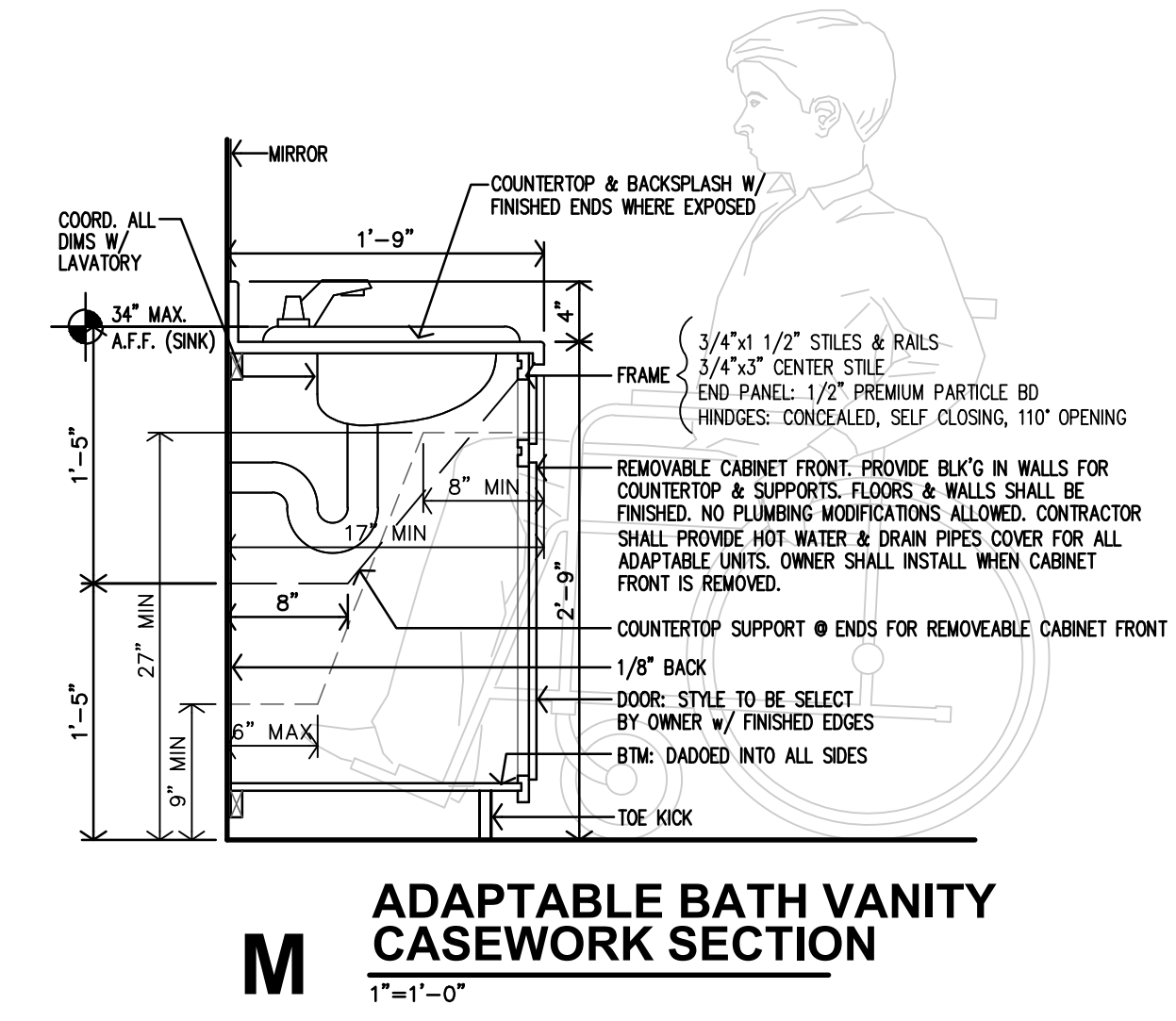
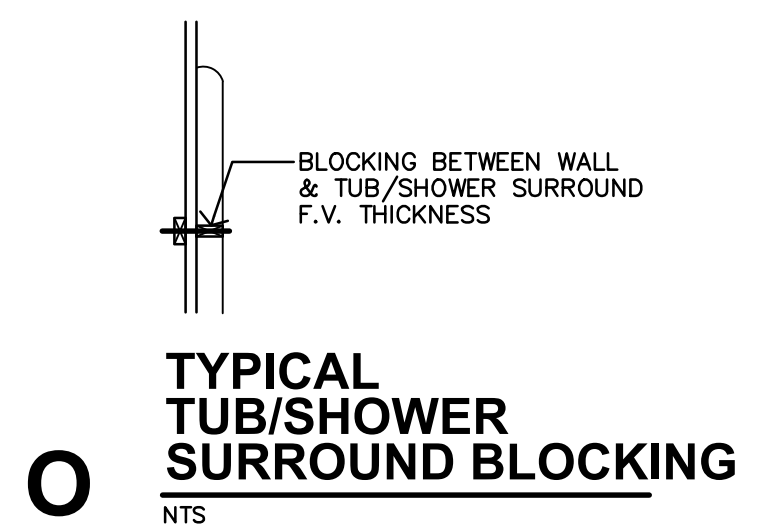
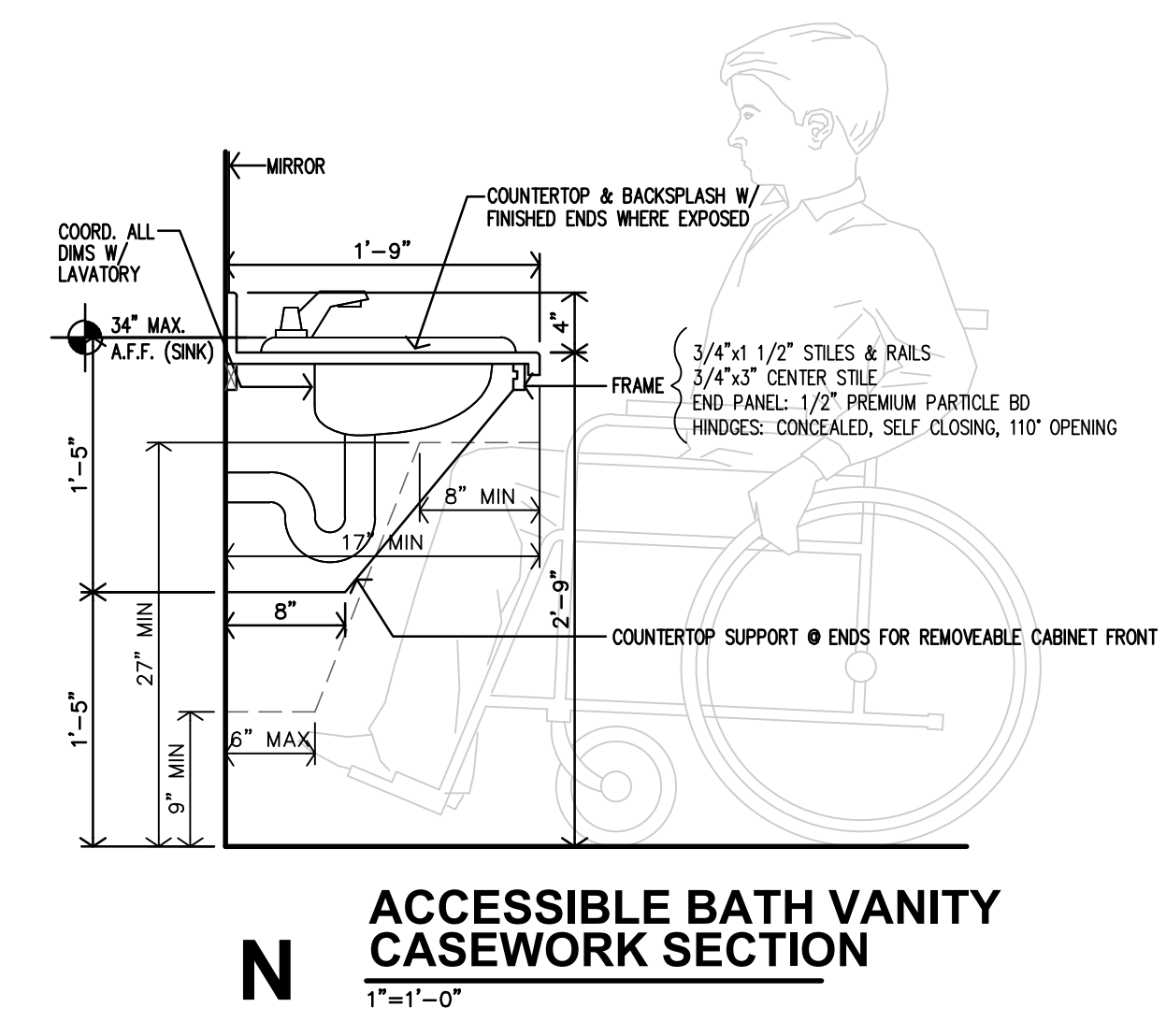
COPYRIGHTED



BP24-0000249
REVIEWED FOR code
compliance
4/15/2024

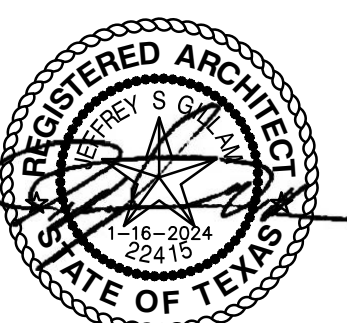


UNIT ACCESSIBLE BATH DETAILS



JGR
JonesGillamRenz
1881 Main Street, Suite 301
Kansas City, MO 64108
jgr@jgarchitects.com

ROOSEVELT LOFTS
HISTORIC REHABILITATION - APARTMENTS
SAN ANGELO, TEXAS



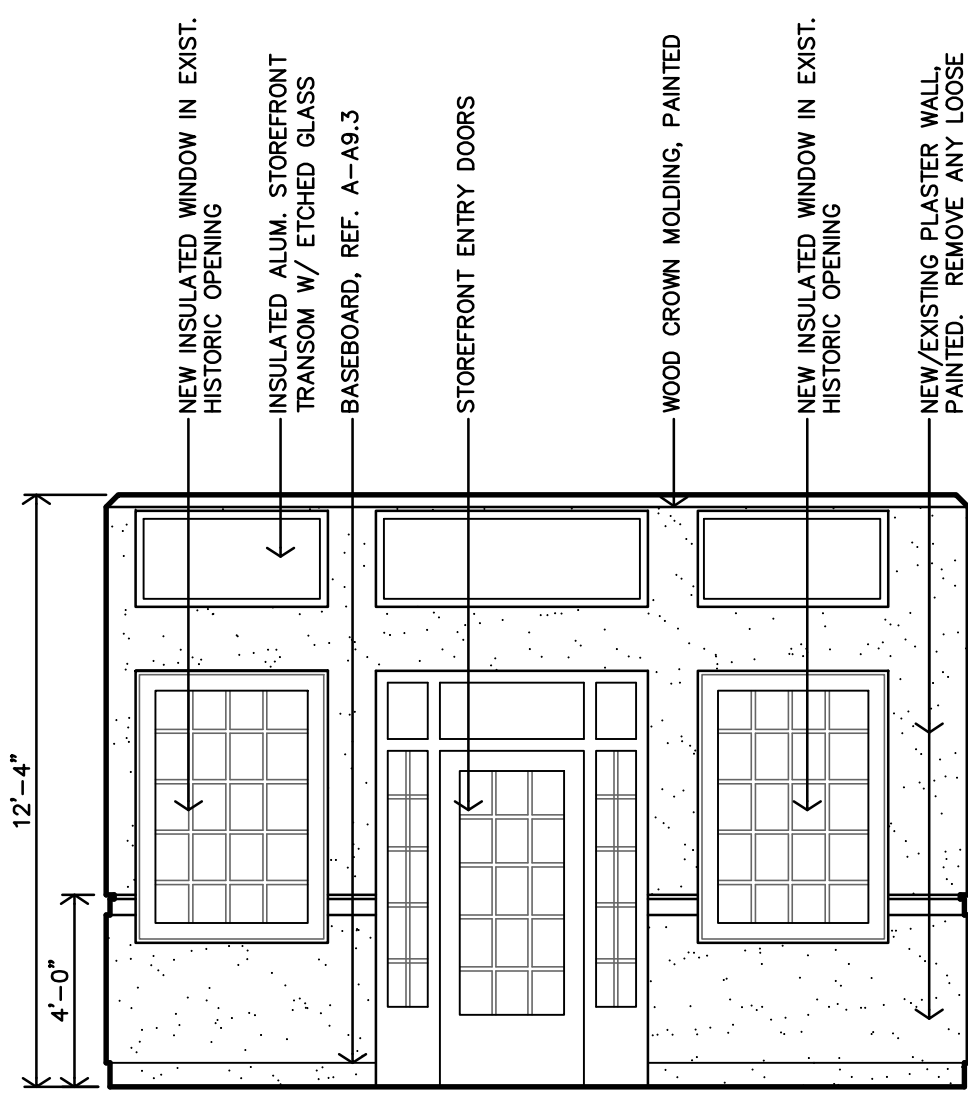
REVISION:
DATE: 1-16-2024
JOB: 22-3281
SHEET NO.:

A8.6

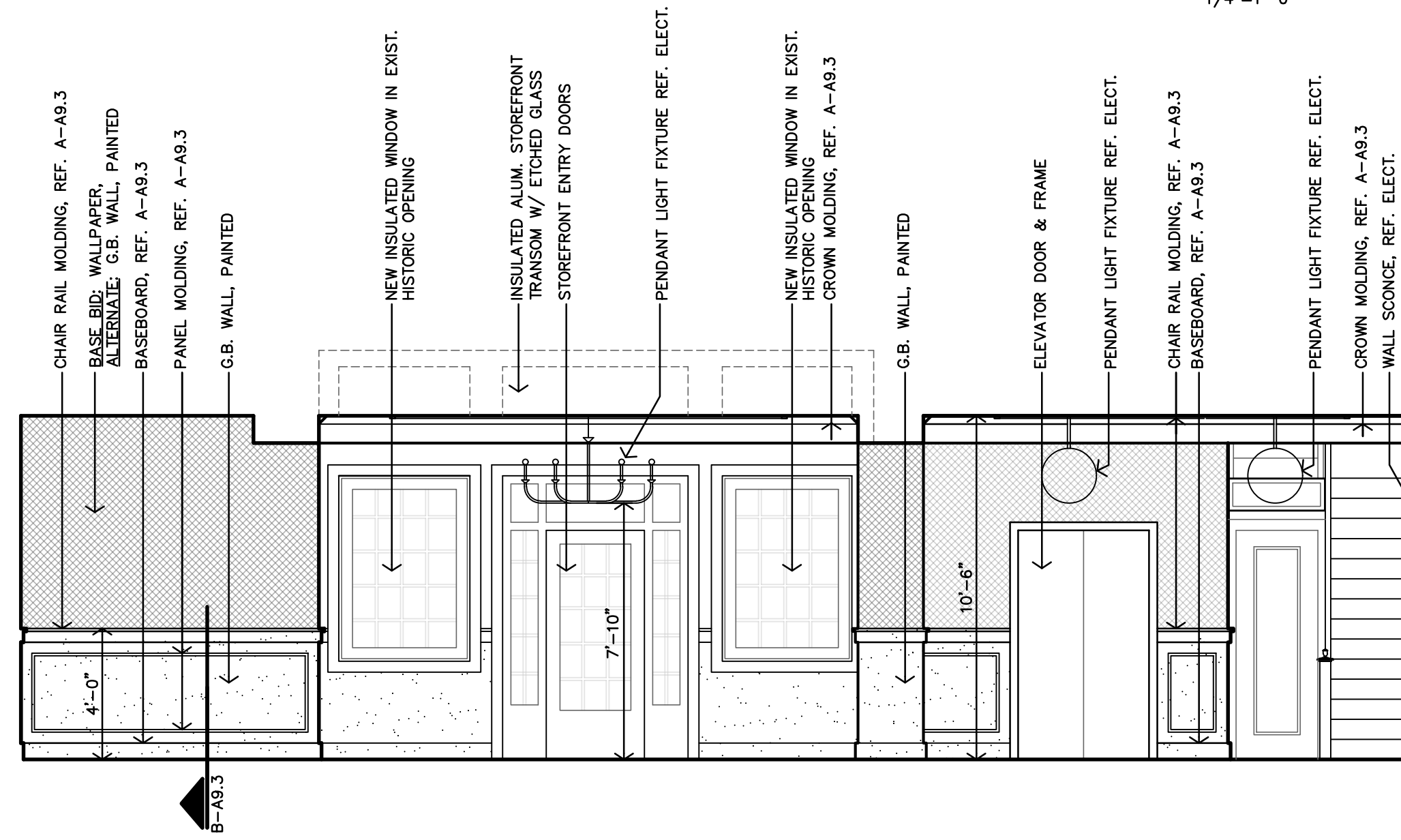
COPYRIGHTED



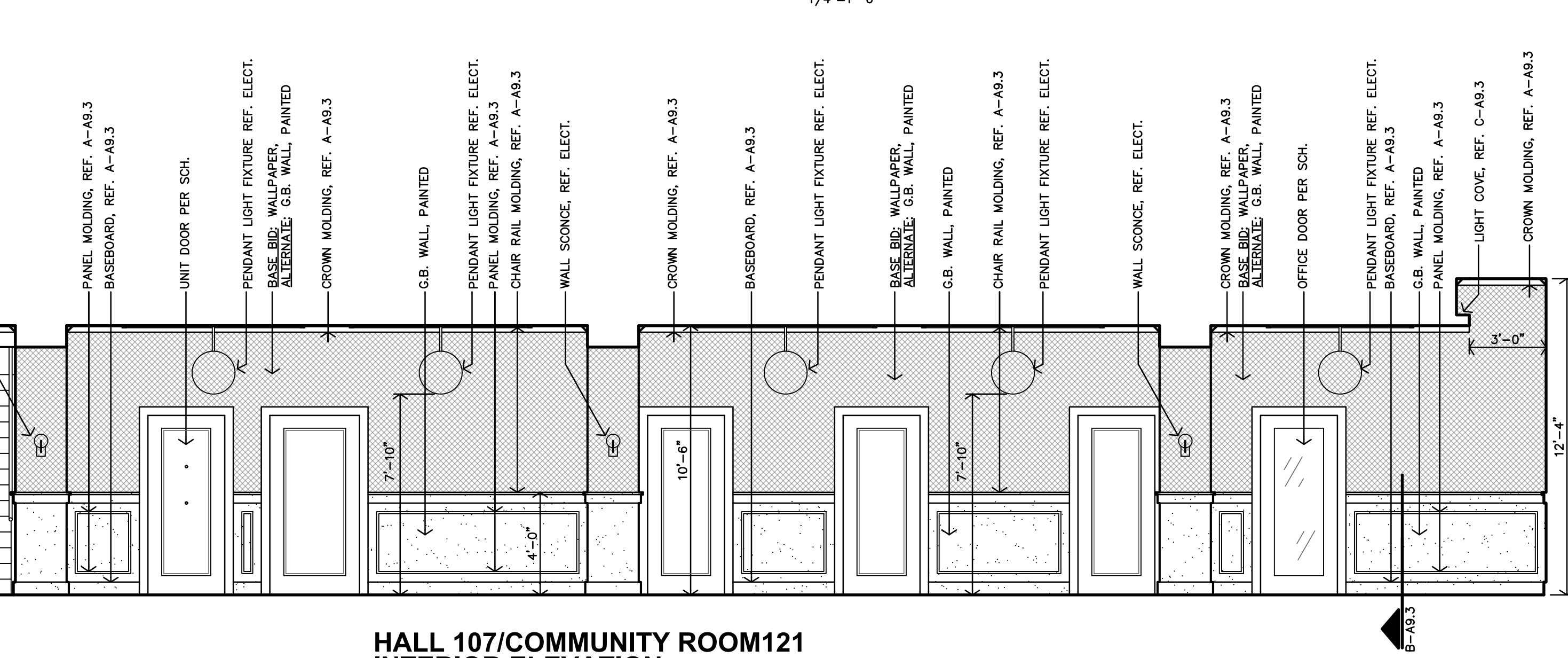
BP24-00000249
 REVIEWED for code
 compliance
 4/15/2024



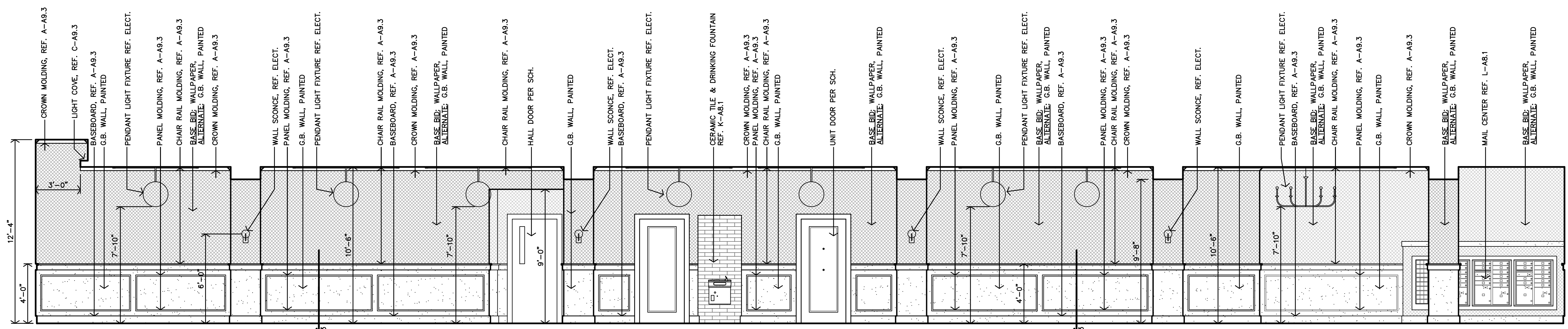
D COMMUNITY ROOM 121
 INTERIOR ELEVATION
 1/4"=1'-0"



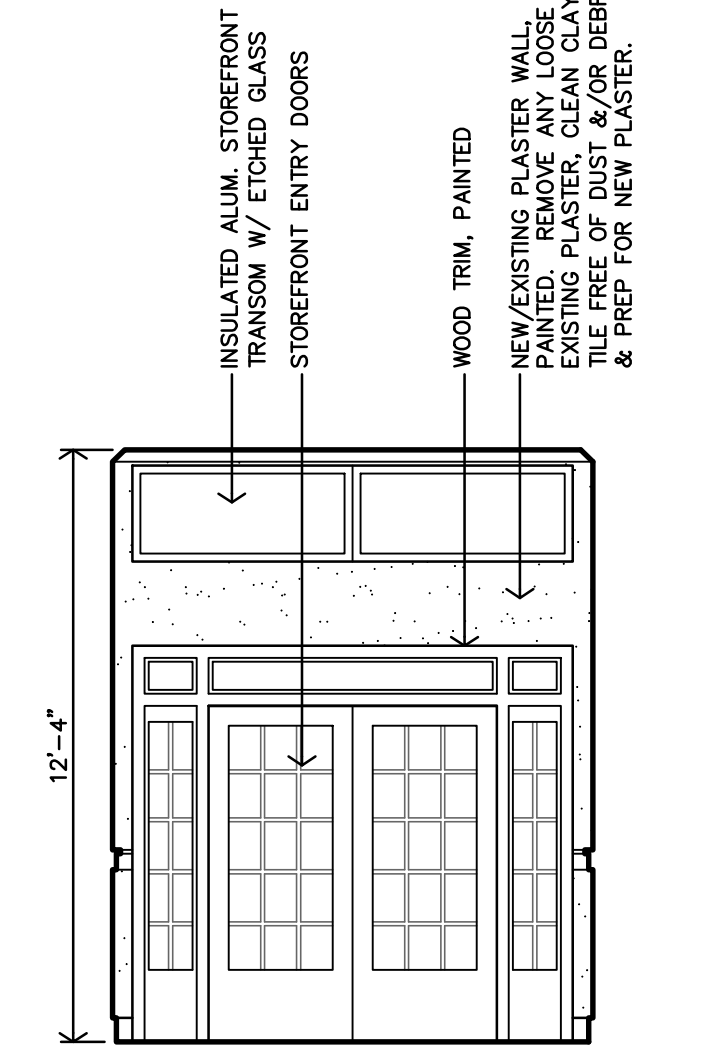
F COMMUNITY ROOM 121
 INTERIOR ELEVATION
 1/4"=1'-0"



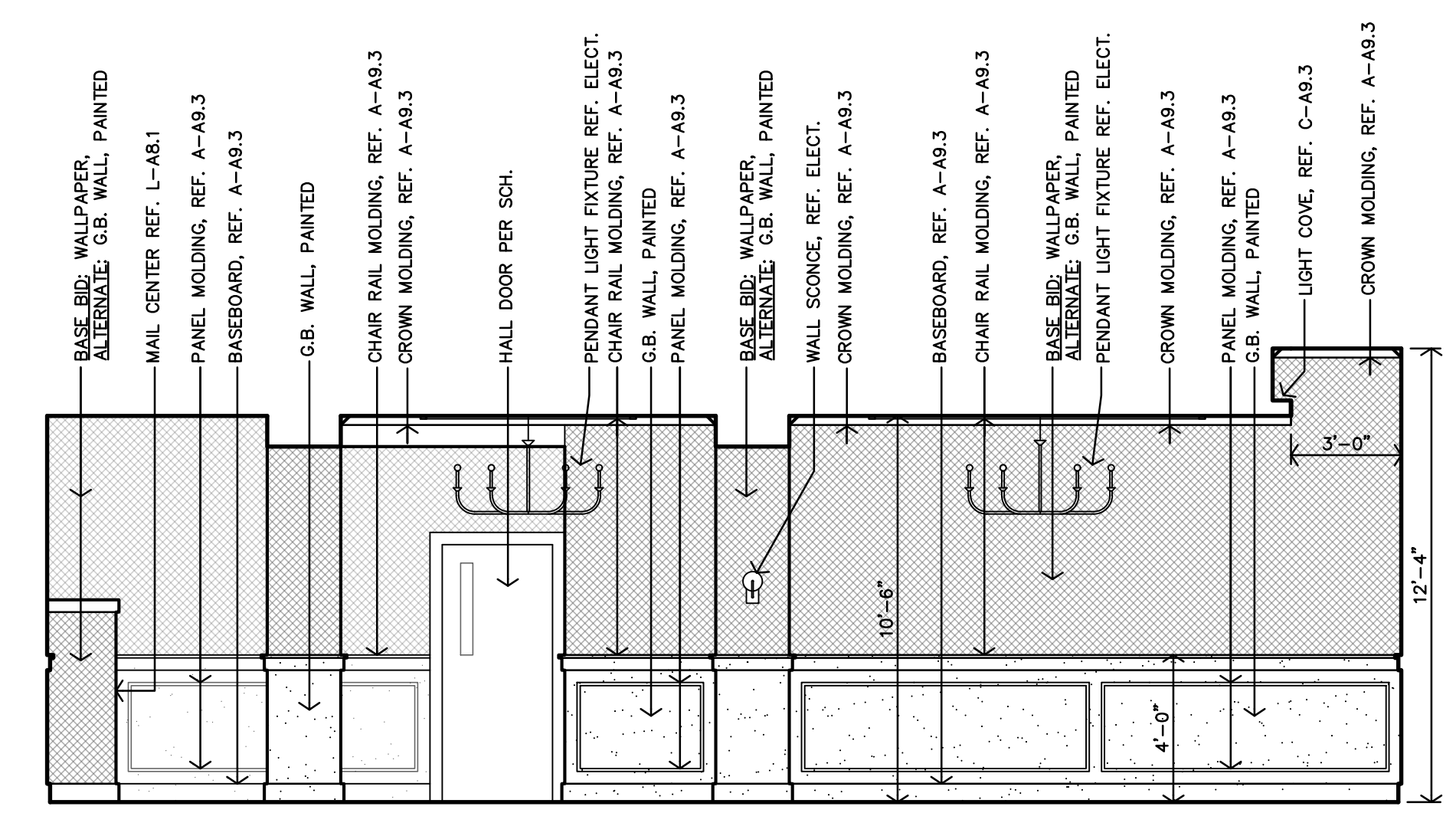
C HALL 107/COMMUNITY ROOM 121
 INTERIOR ELEVATION
 1/4"=1'-0"



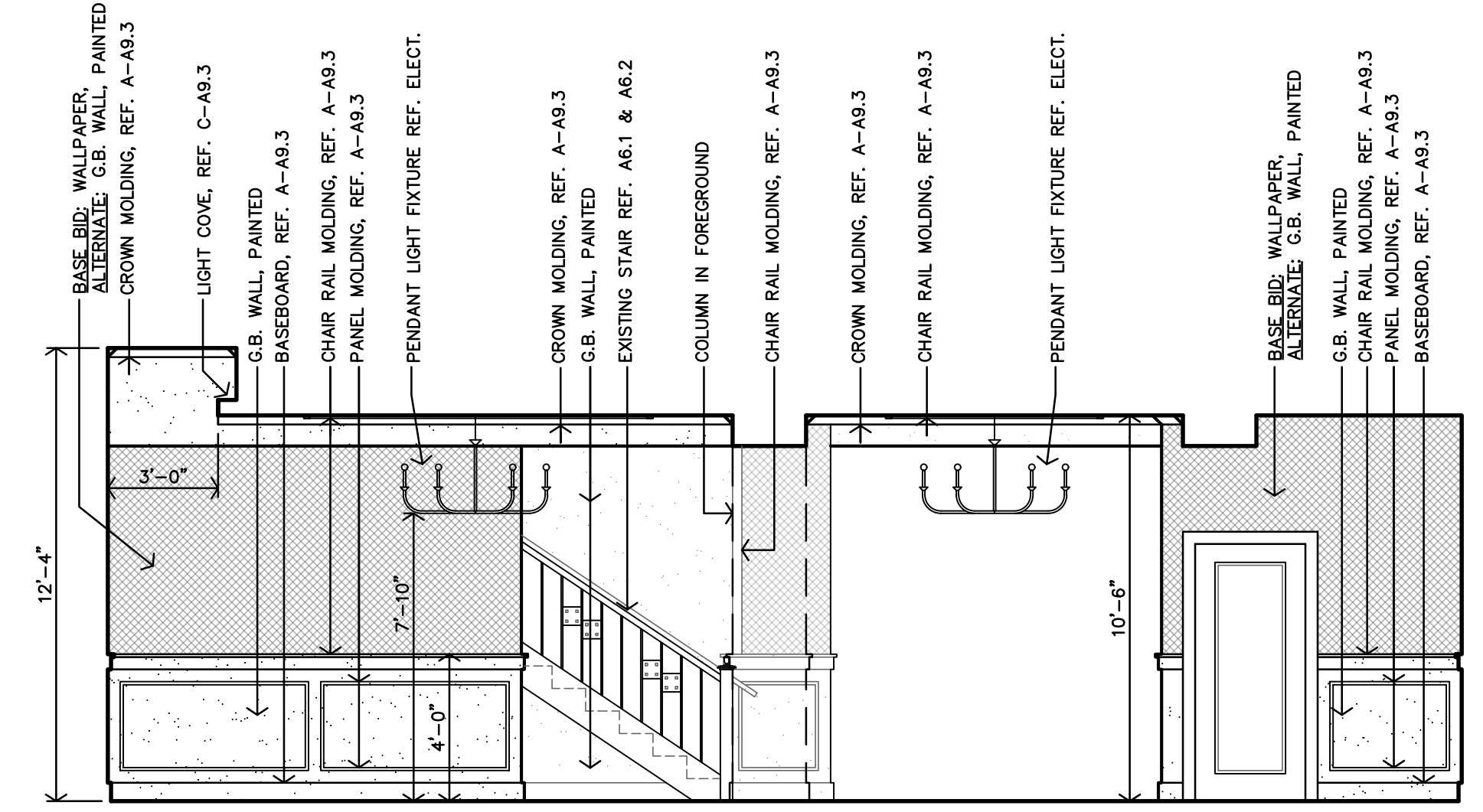
B HALL 107/COMMUNITY ROOM 121
 INTERIOR ELEVATION
 1/4"=1'-0"



A HALL 107
 INTERIOR ELEVATION
 1/4"=1'-0"



E COMMUNITY ROOM 121
 INTERIOR ELEVATION
 1/4"=1'-0"



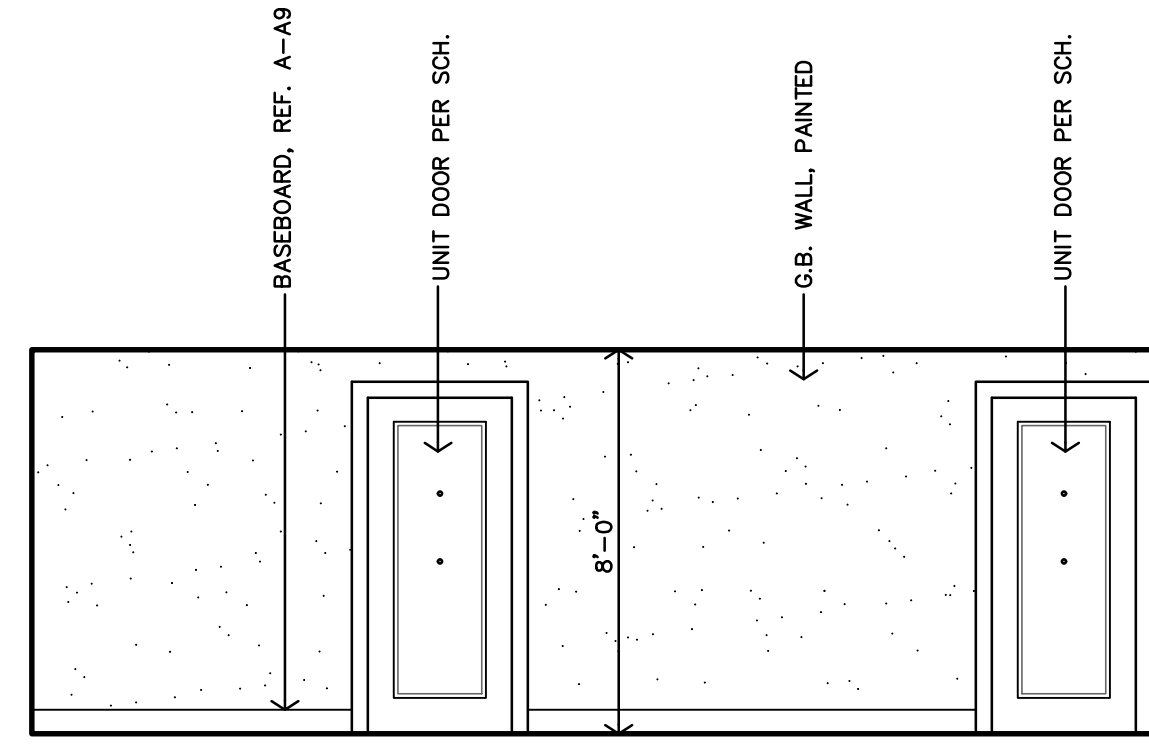
F COMMUNITY ROOM 121
 INTERIOR ELEVATION
 1/4"=1'-0"



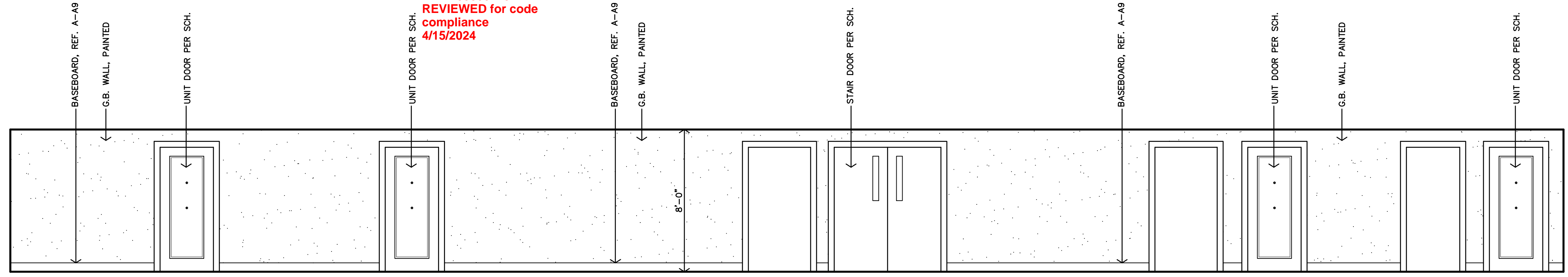
REVISION: _____
 DATE: 1-16-2024
 JOB: 22-3281
 SHEET NO.: _____



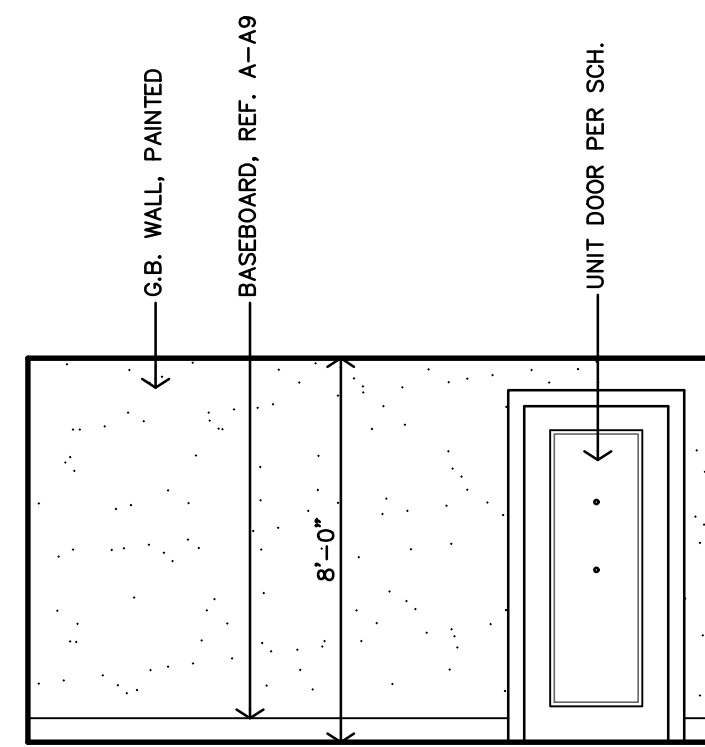
BP24-00000249
 REVIEWED for code
 compliance
 4/15/2024



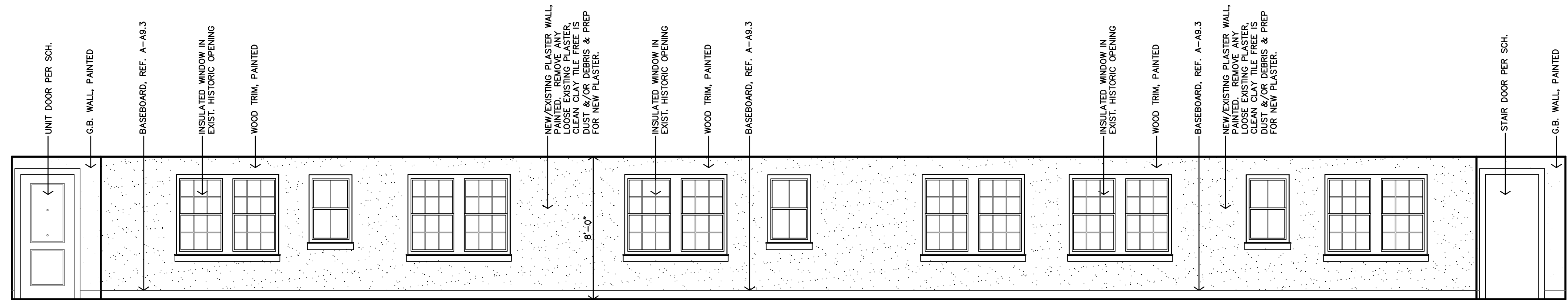
O HALL 214 & 314
 INTERIOR ELEVATION
 1/4"=1'-0"



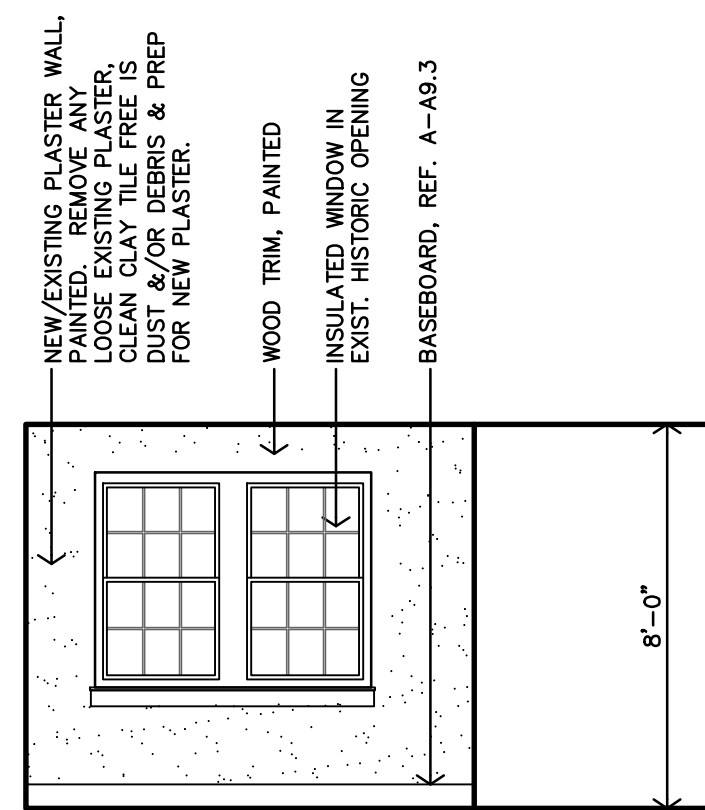
N HALL 208 & 308
 INTERIOR ELEVATION
 1/4"=1'-0"



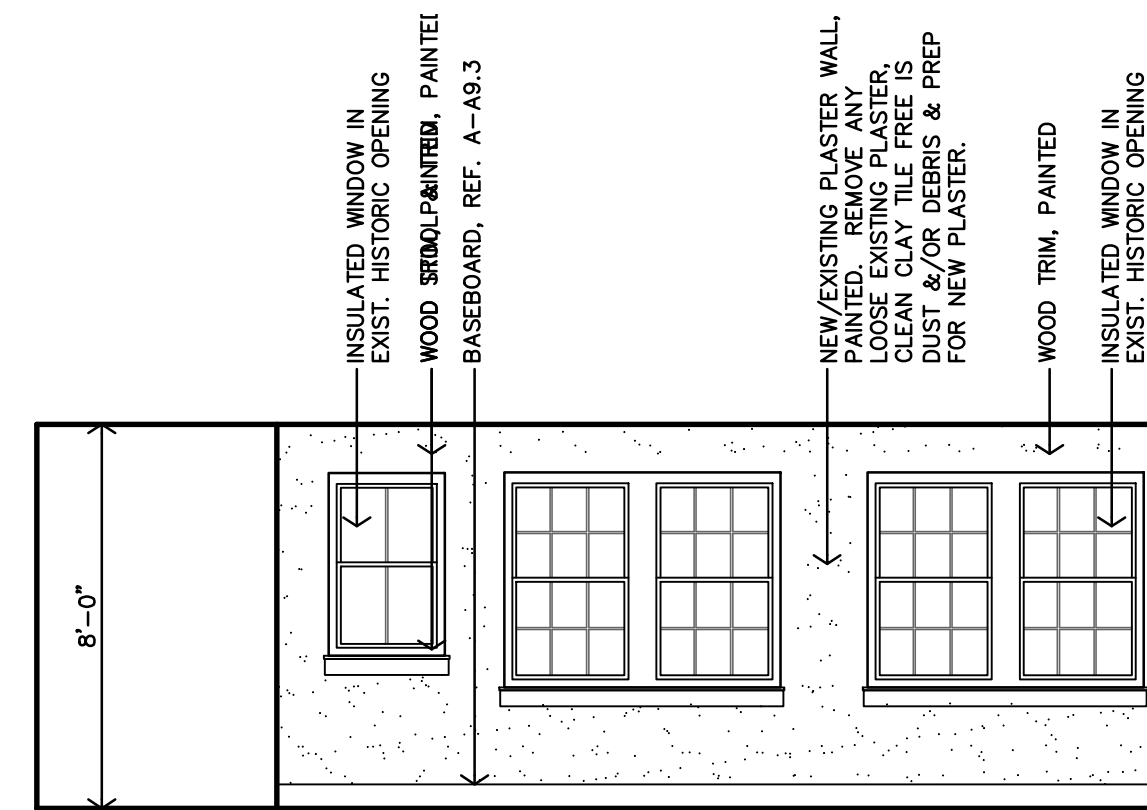
M HALL 204 & 304
 INTERIOR ELEVATION
 1/4"=1'-0"



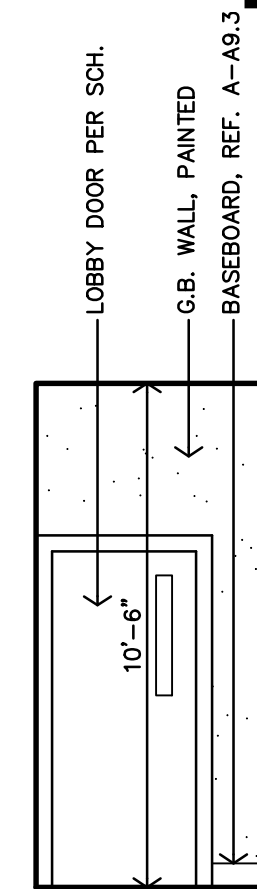
L HALL 208 & 308
 INTERIOR ELEVATION
 1/4"=1'-0"



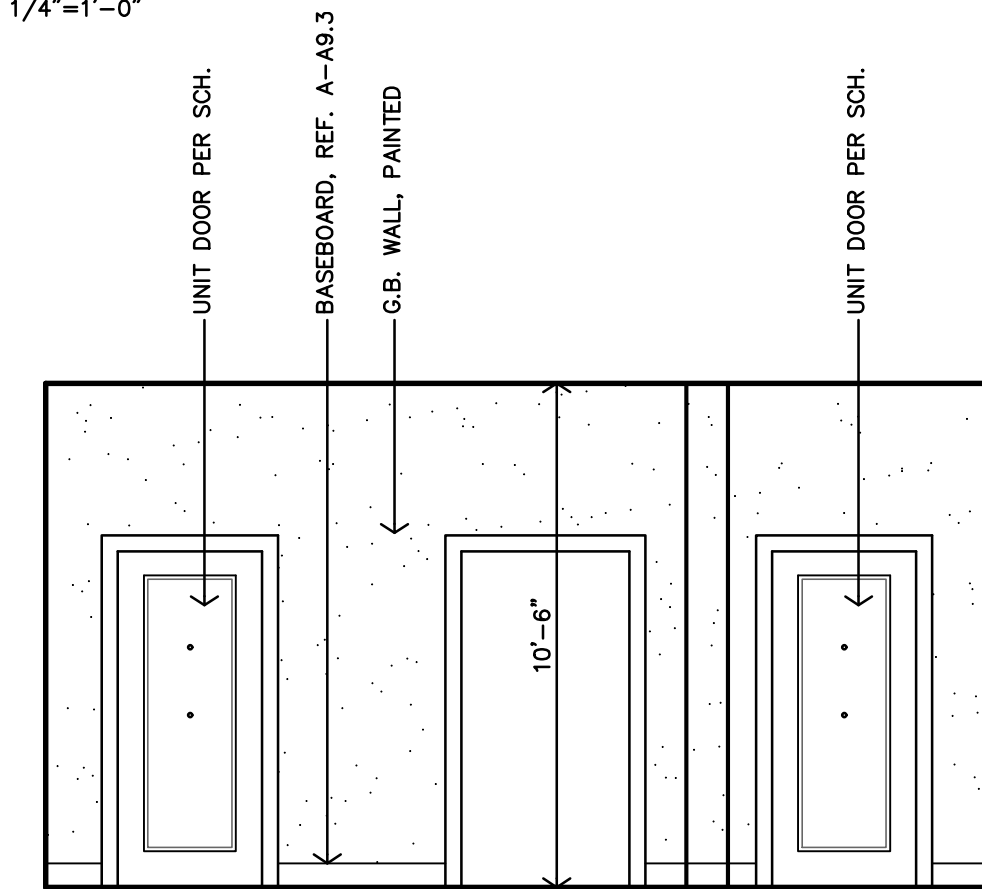
K HALL 204 & 304
 INTERIOR ELEVATION
 1/4"=1'-0"



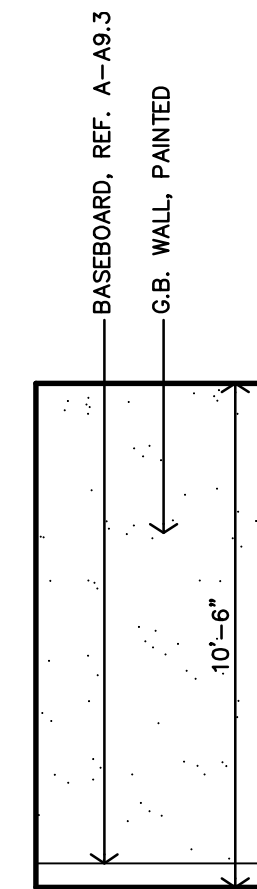
J HALL 214 & 314
 INTERIOR ELEVATION
 1/4"=1'-0"



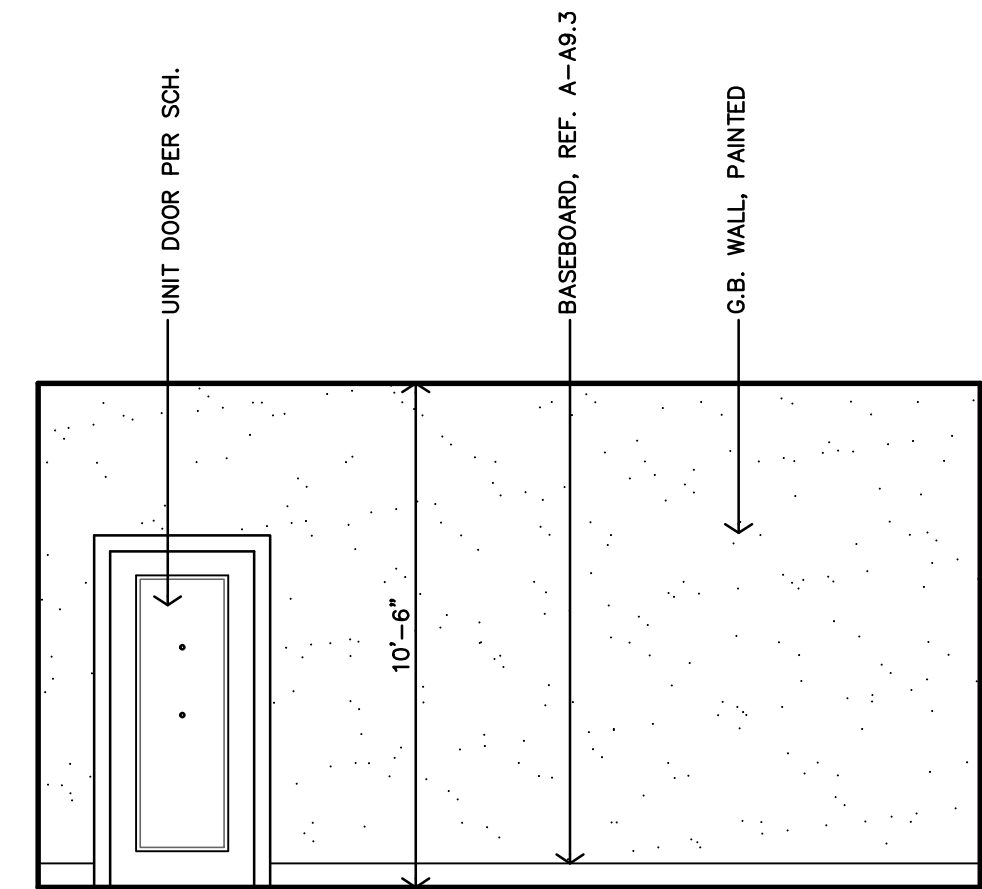
H HALL 111
 INTERIOR ELEVATION
 1/4"=1'-0"



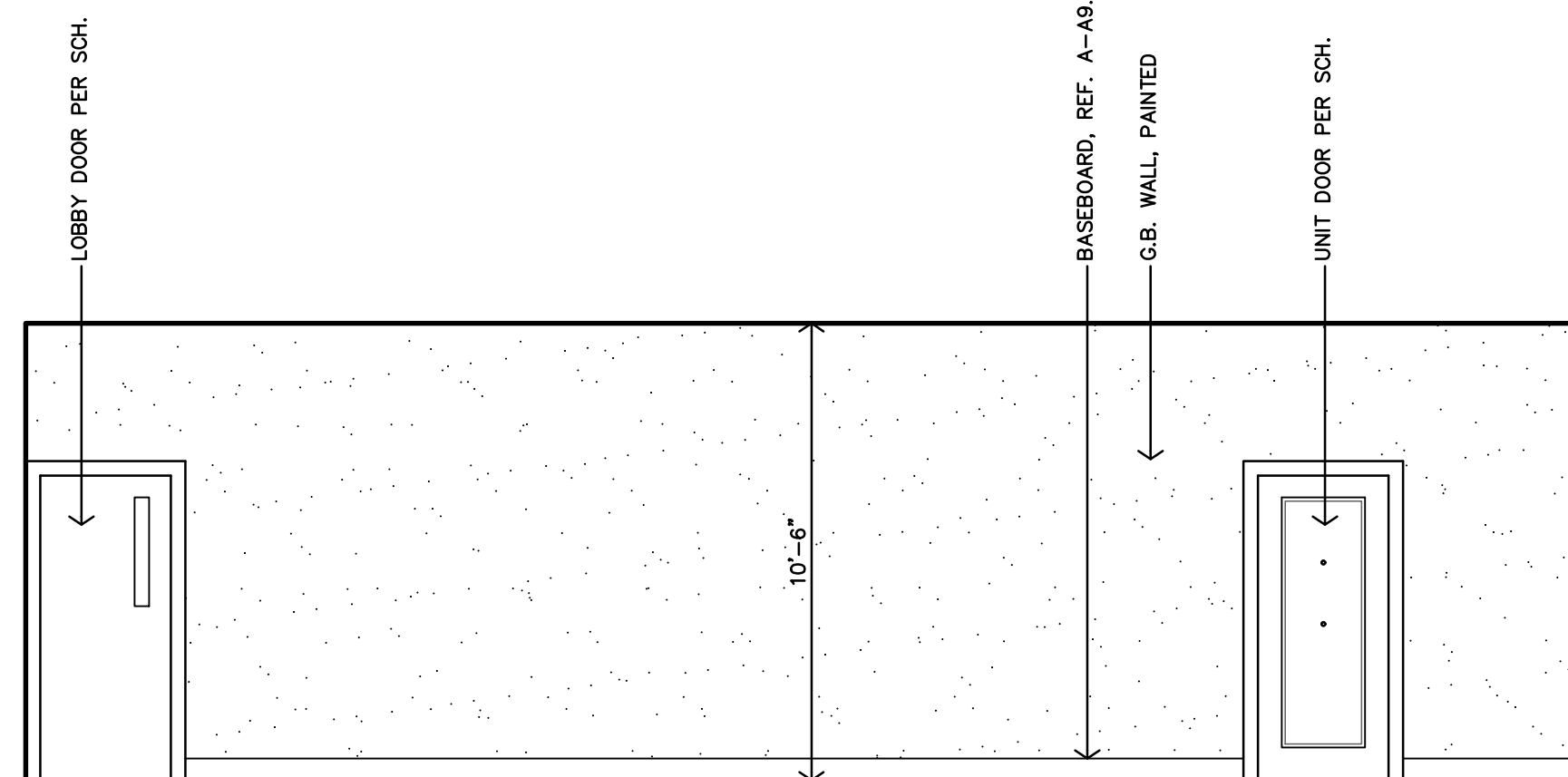
G HALL 111
 INTERIOR ELEVATION
 1/4"=1'-0"



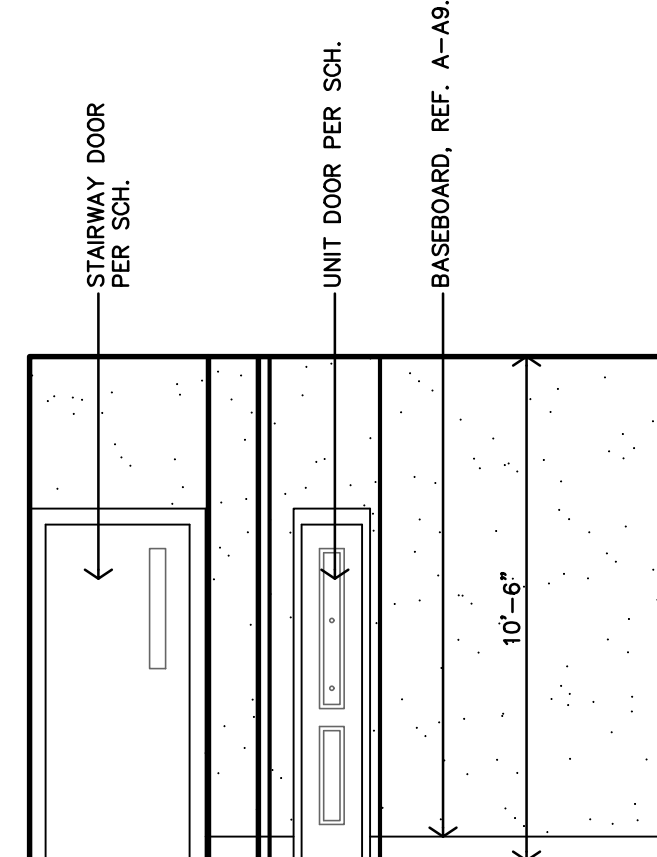
F HALL 111
 INTERIOR ELEVATION
 1/4"=1'-0"



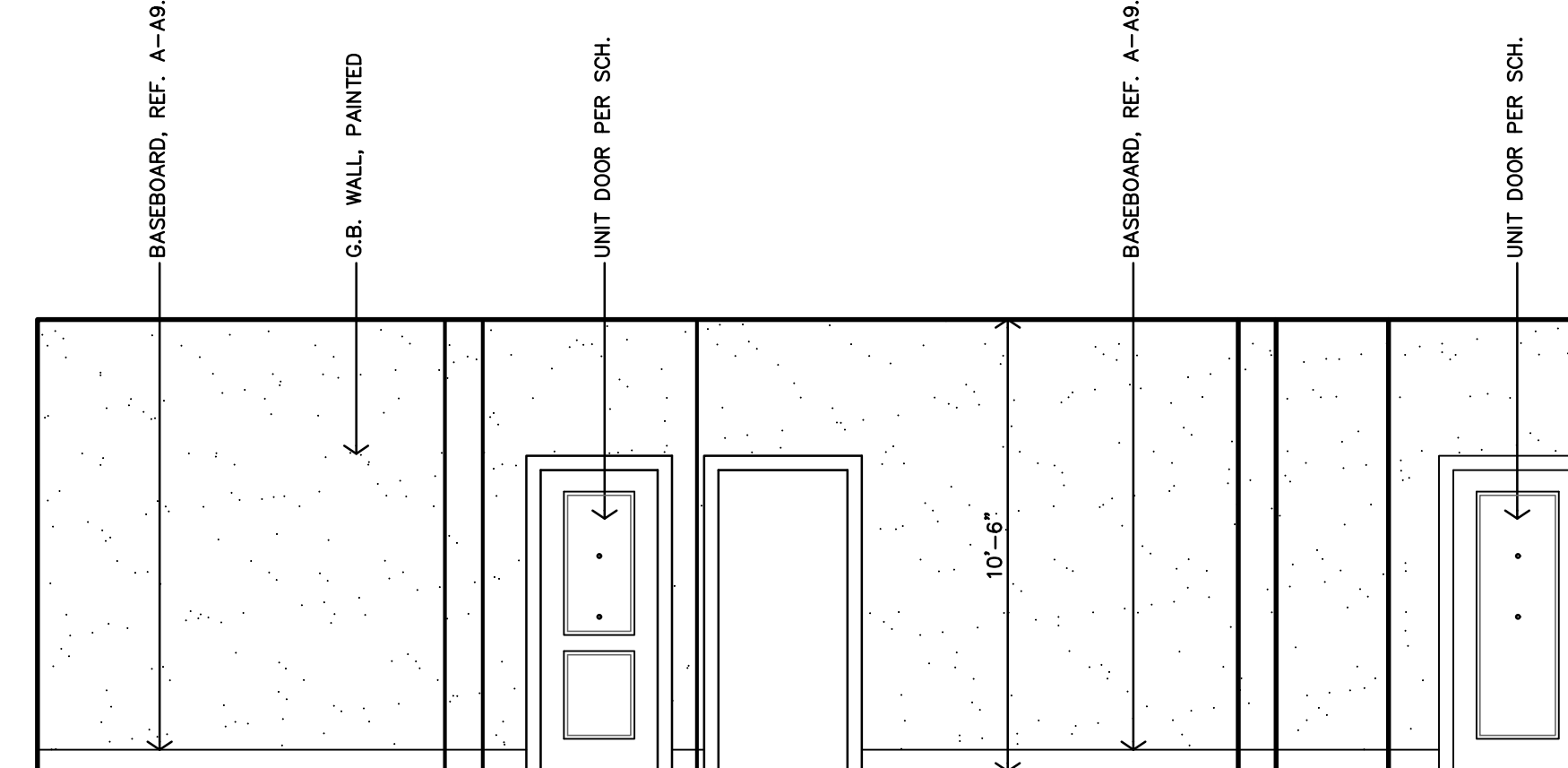
E HALL 111
 INTERIOR ELEVATION
 1/4"=1'-0"



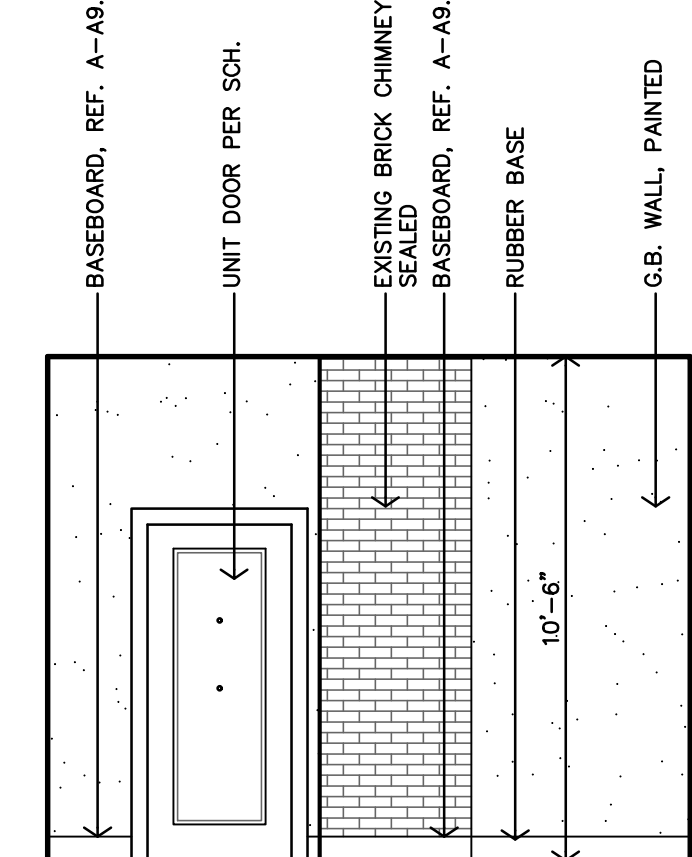
D HALL 124
 INTERIOR ELEVATION
 1/4"=1'-0"



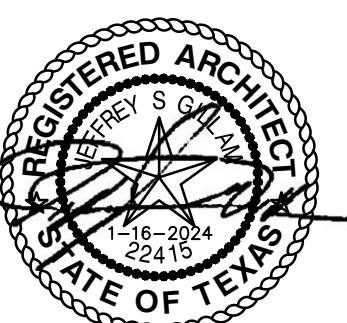
C HALL 124
 INTERIOR ELEVATION
 1/4"=1'-0"



B HALL 124
 INTERIOR ELEVATION
 1/4"=1'-0"



A HALL 124
 INTERIOR ELEVATION
 1/4"=1'-0"



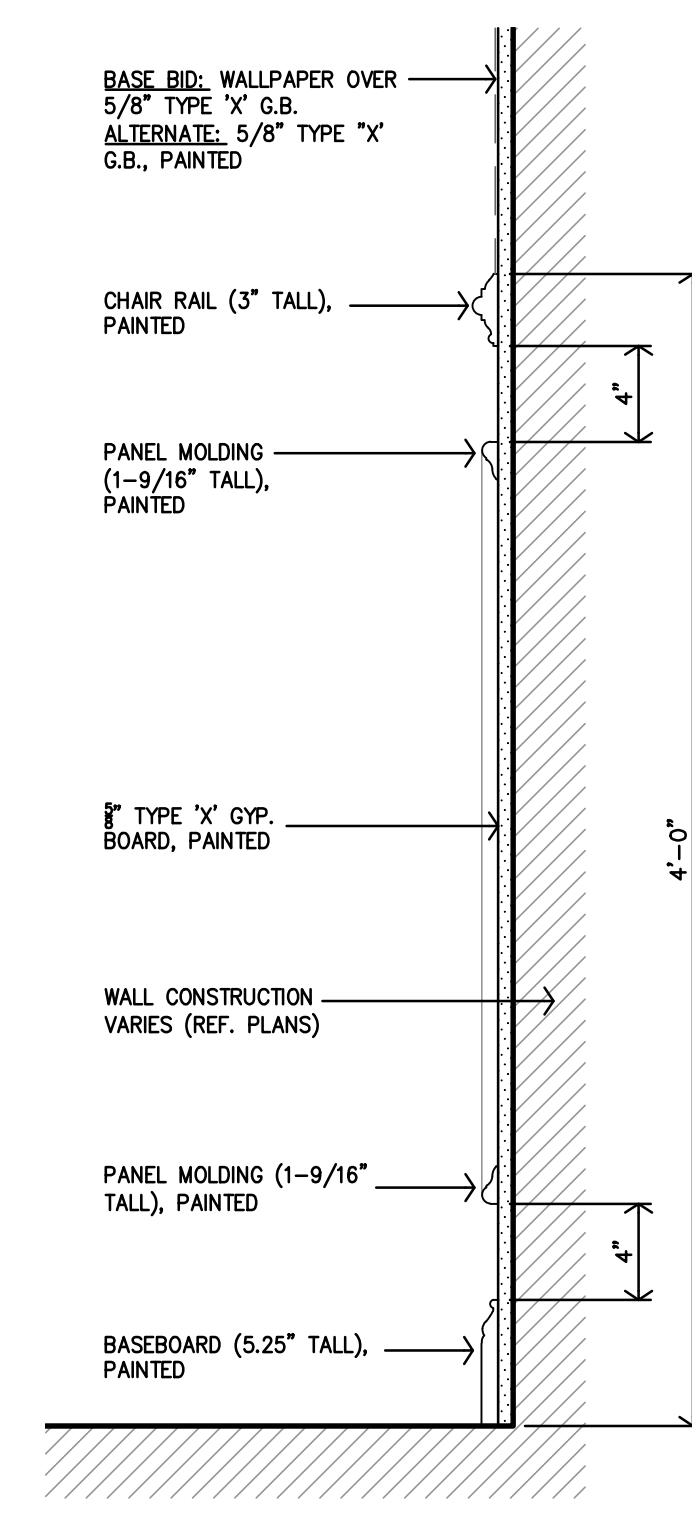
REVISION: _____
 DATE: 1-16-2024
 JOB: 22-3281
 SHEET NO.:



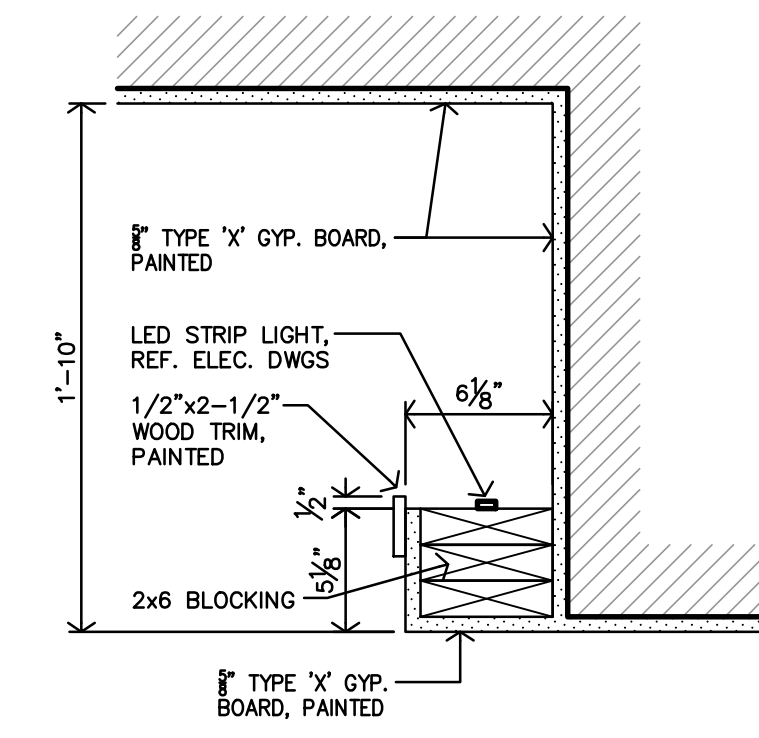
BP24-00000249
 REVIEWED for code
 compliance
 4/15/2024



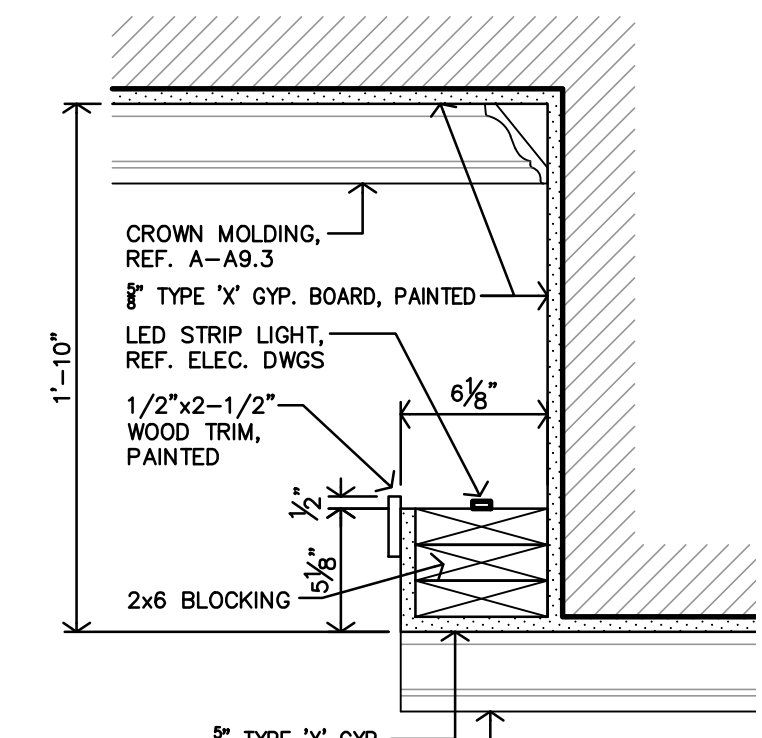
REVISION:	
DATE:	1-16-2024
JOB:	22-3281
SHEET NO.:	



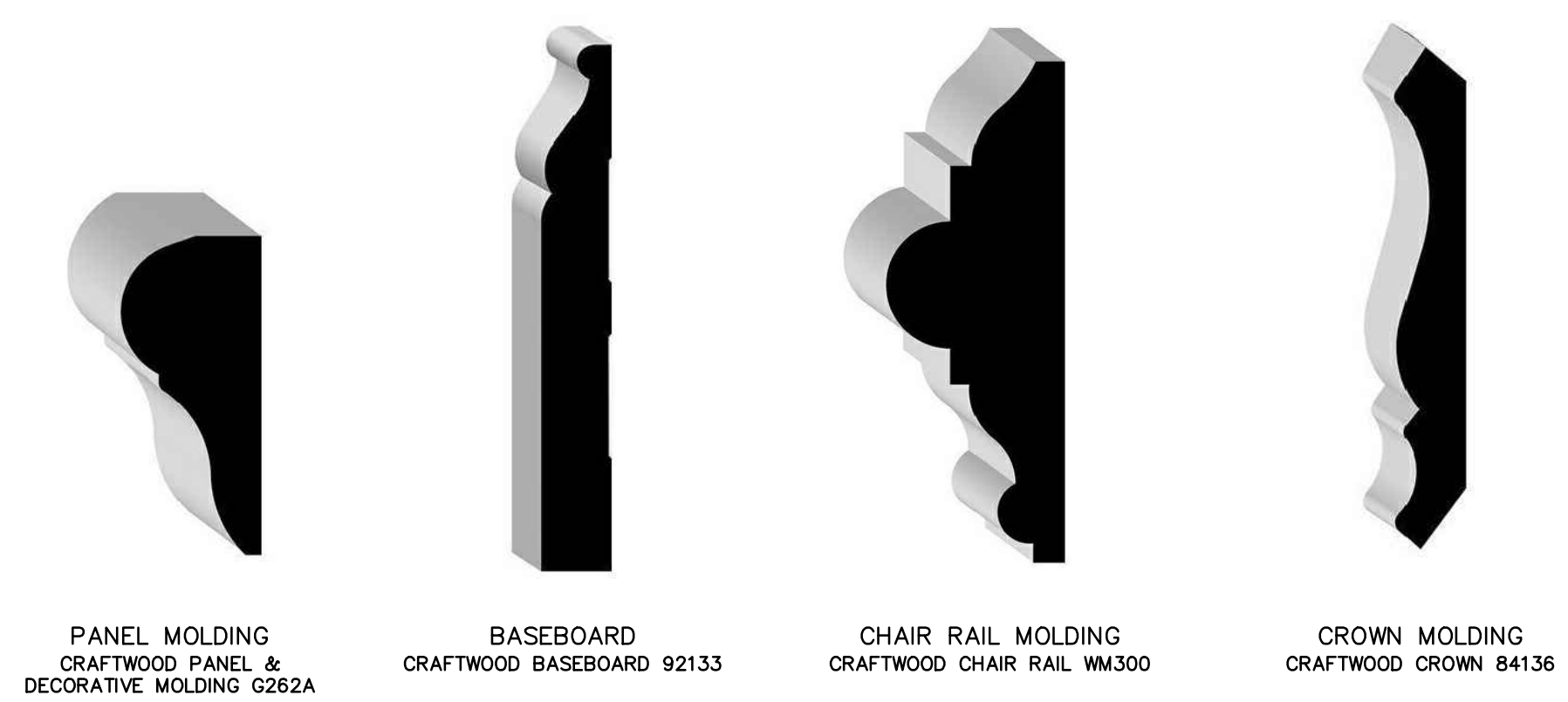
B SECTION @ WALL PANELS
 1-1/2" = 1'-0"



D SECTION @ LIGHT COVE
 1-1/2" = 1'-0"



C SECTION @ LIGHT COVE
 1-1/2" = 1'-0"

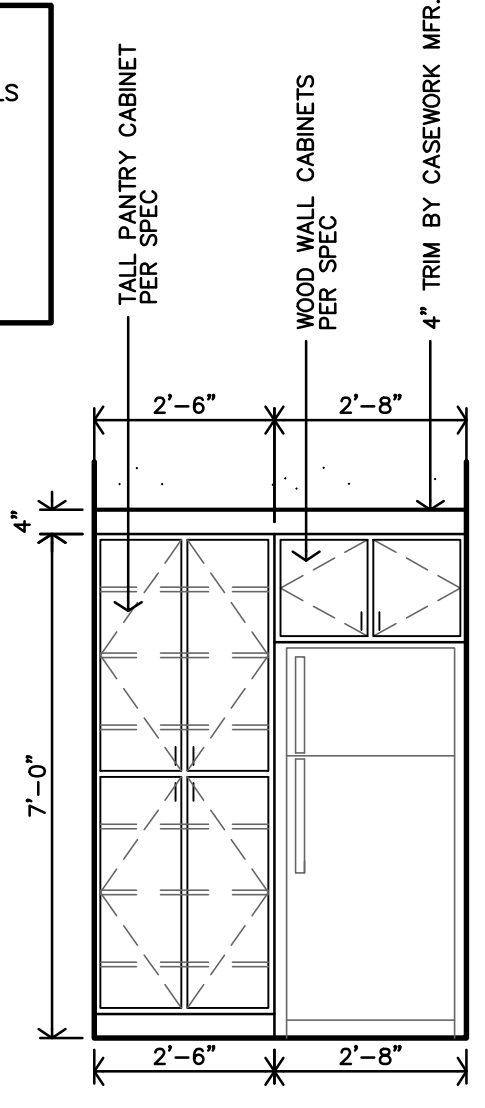


A TRIM AND MOLDING PROFILES
 N.T.S.

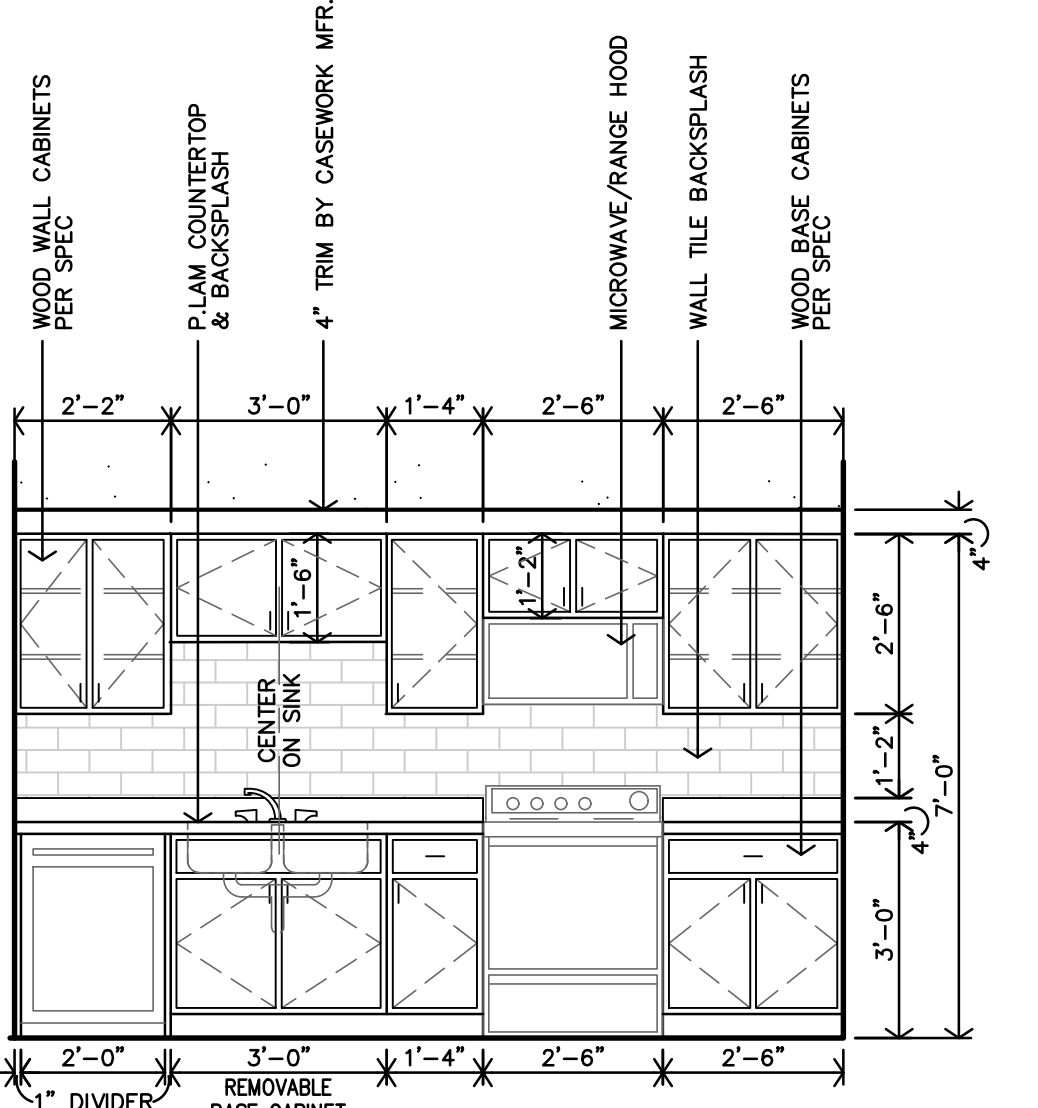


BP2000000249
REVISED for code
compliance
4/15/2024

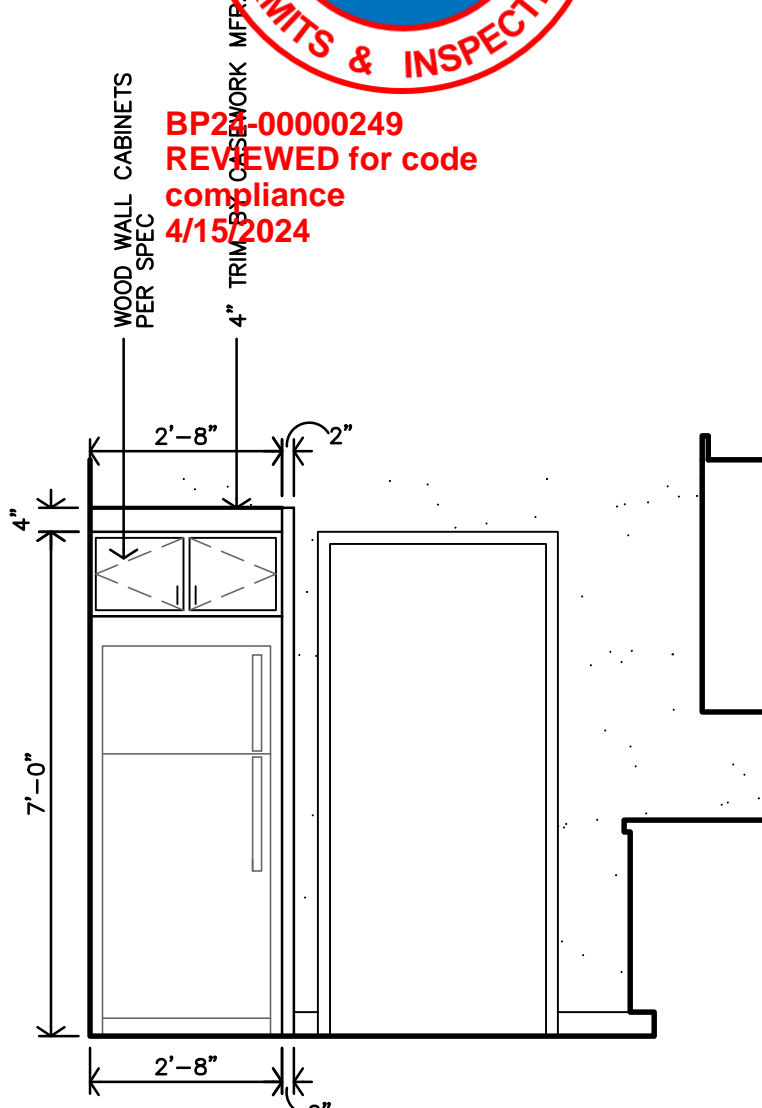
- CASEWORK NOTES:**
- REF SHEET A2.0 FOR GENERAL NOTES.
 - CONTRACTOR TO INSTALL 2x8 FIRE TREATED BLOCKING IN WALLS FOR ALL WALL MOUNTED/SUPPORTED COUNTERTOPS, BRACES, ETC.
 - REMOVABLE CABINETS TO PROVIDE 30" CLEAR MIN. FLOORING & WALL FINISH TO BE CONTINUOUS AT REMOVABLE CABINETS & APPLIANCES.
 - REF. CASEWORK SECTIONS ON SHEET A9.5
 - ALL BLOCKING TO BE 2x8 FIRE TREATED.



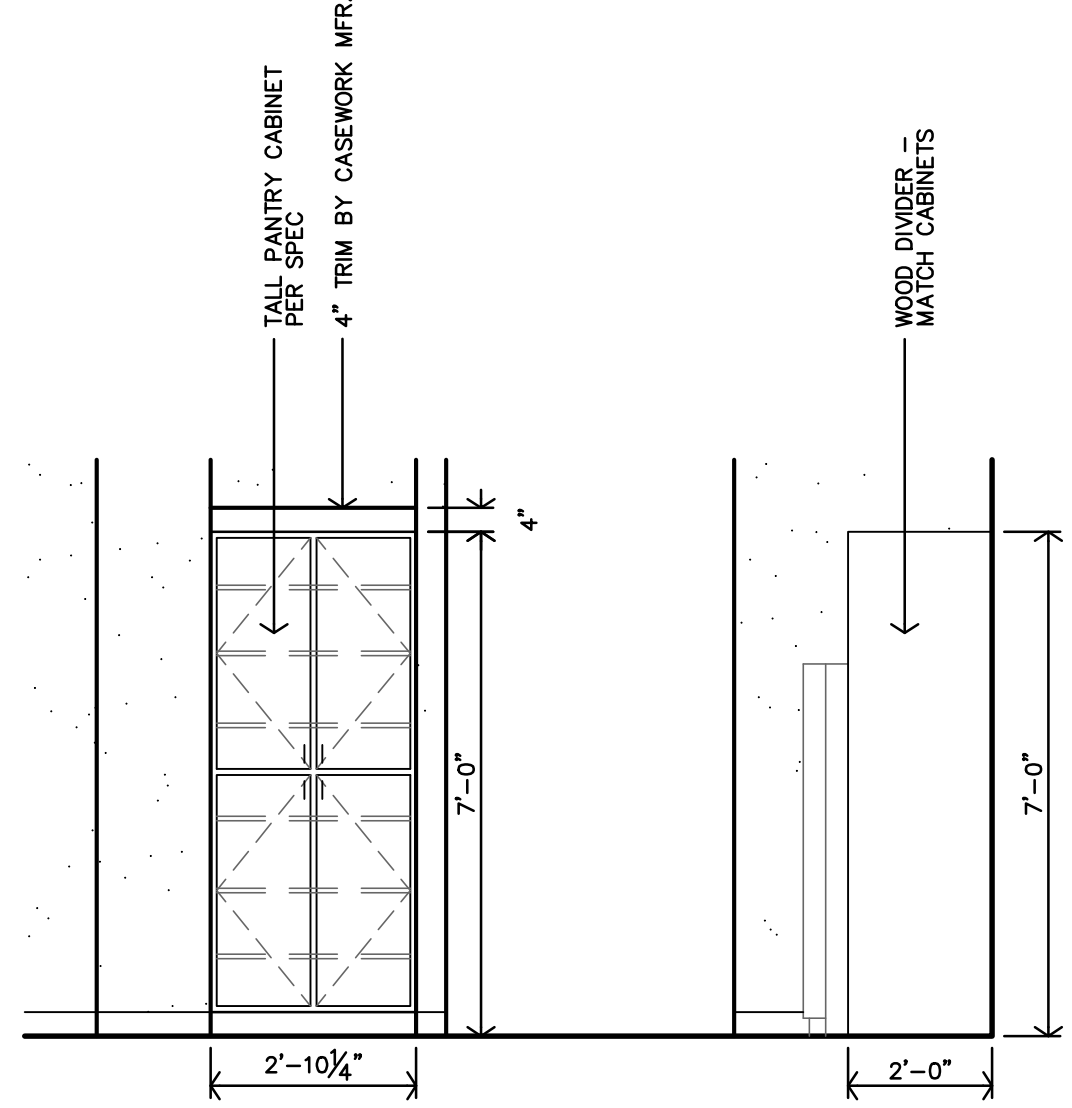
Q
ADAPTABLE KITCHEN - TYPE #7 INTERIOR ELEVATION
3/8"=1'-0" UNITS: APT. 16 (#212), APT. 17 (#213), APT. 24 (#312), APT. 25 (#313)



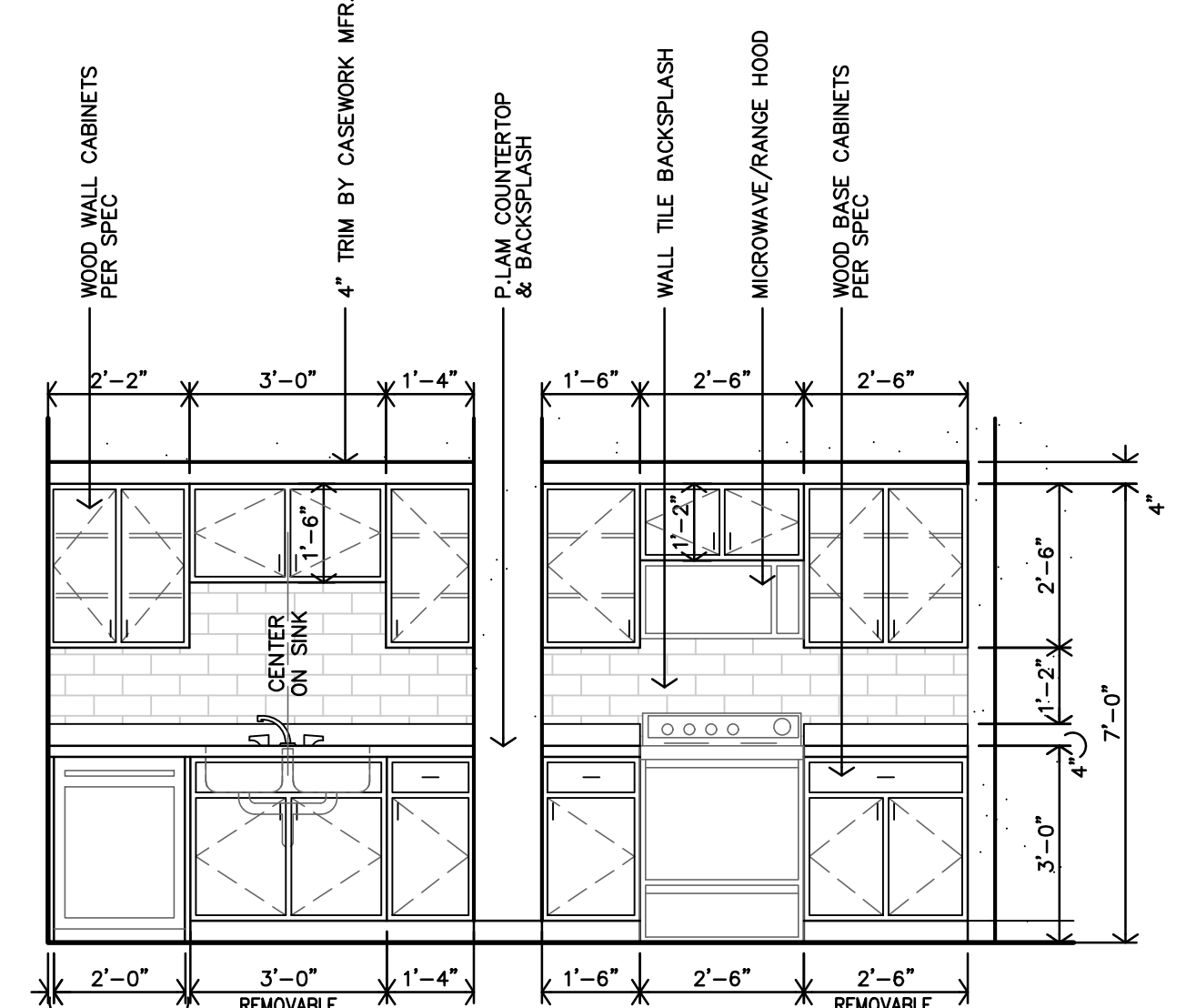
P
ADAPTABLE KITCHEN - TYPE #7 INTERIOR ELEVATION
3/8"=1'-0" UNITS: APT. 16 (#212), APT. 17 (#213), APT. 24 (#312), APT. 25 (#313)



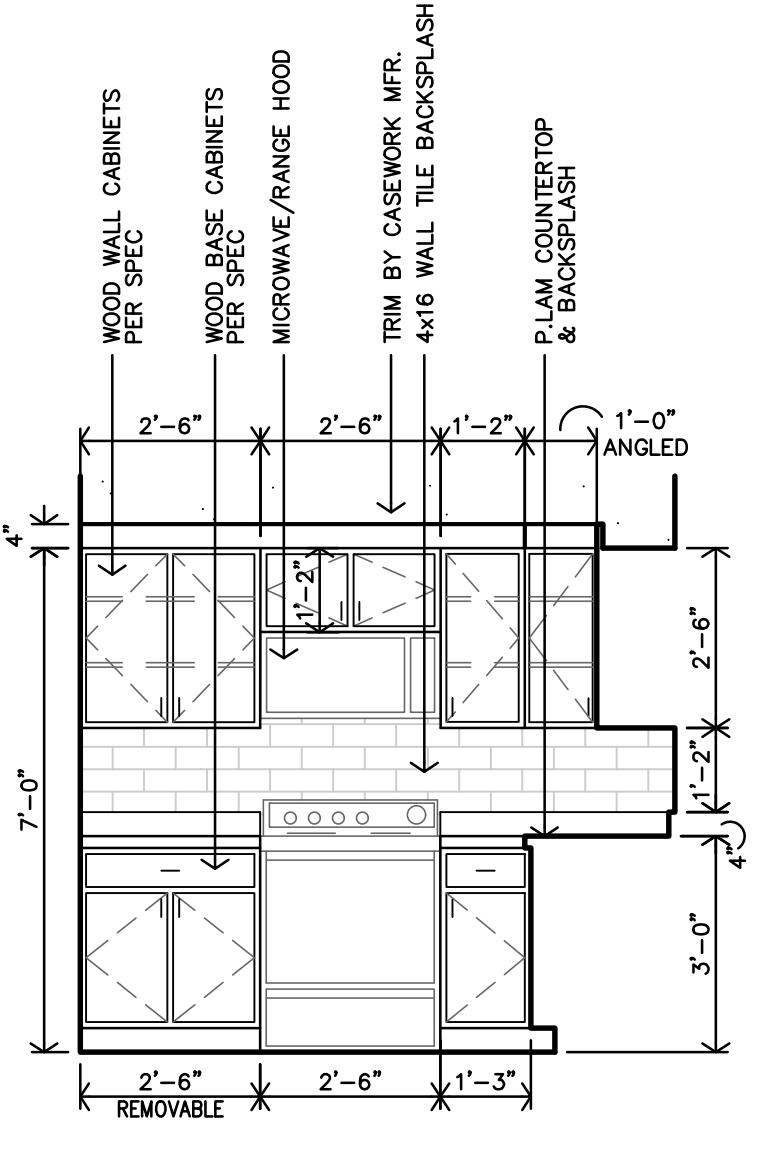
N
ADAPTABLE KITCHEN - TYPE #6 INTERIOR ELEVATION
3/8"=1'-0" UNITS: APT. 14 (#209), APT. 22 (#309)



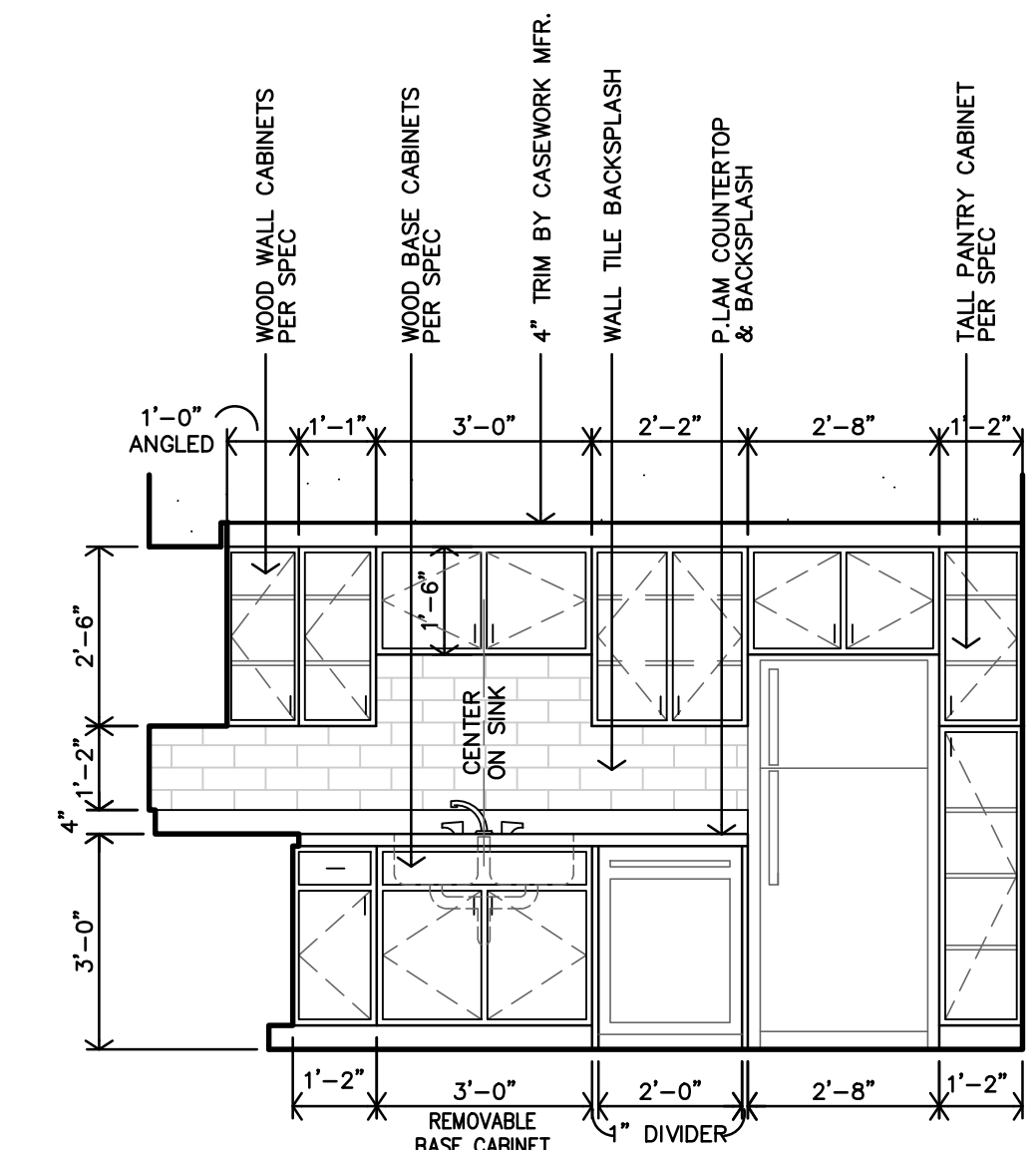
M
ADAPTABLE KITCHEN - TYPE #6 INTERIOR ELEVATION
3/8"=1'-0" UNITS: APT. 14 (#209), APT. 22 (#309)



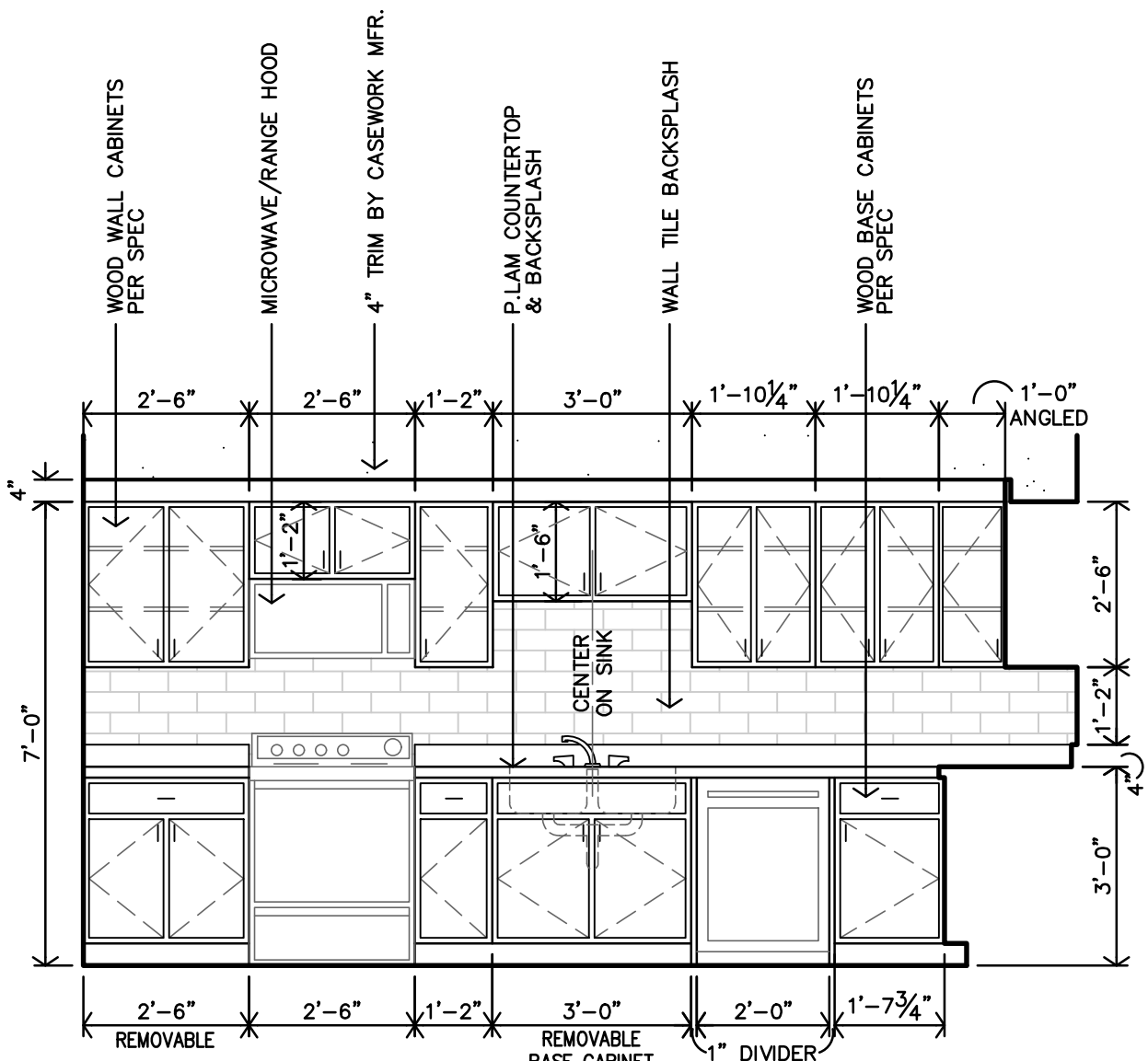
L
ADAPTABLE KITCHEN - TYPE #6 INTERIOR ELEVATION
3/8"=1'-0" UNITS: APT. 14 (#209), APT. 22 (#309)



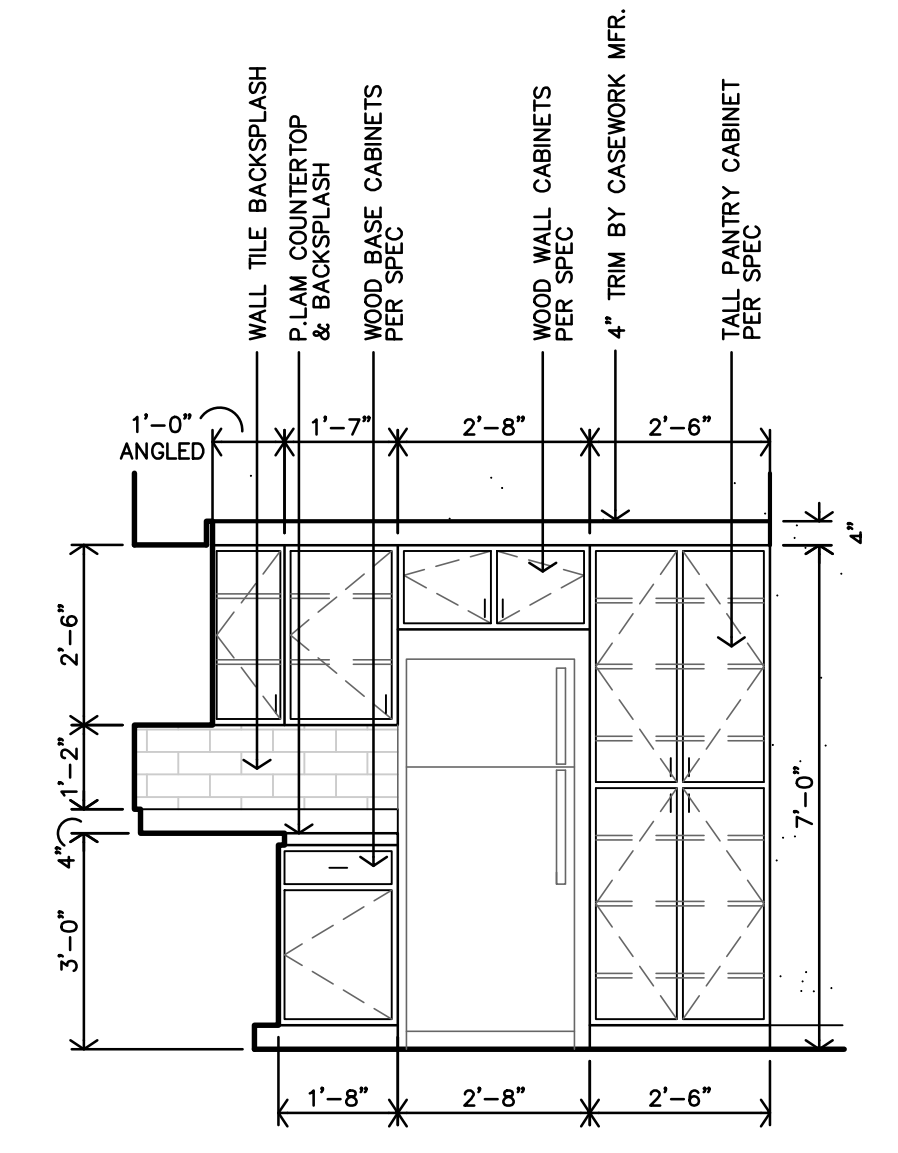
K
ADAPTABLE KITCHEN - TYPE #5 INTERIOR ELEVATION
3/8"=1'-0" UNITS: APT. 11 (#202), APT. 19 (#302)



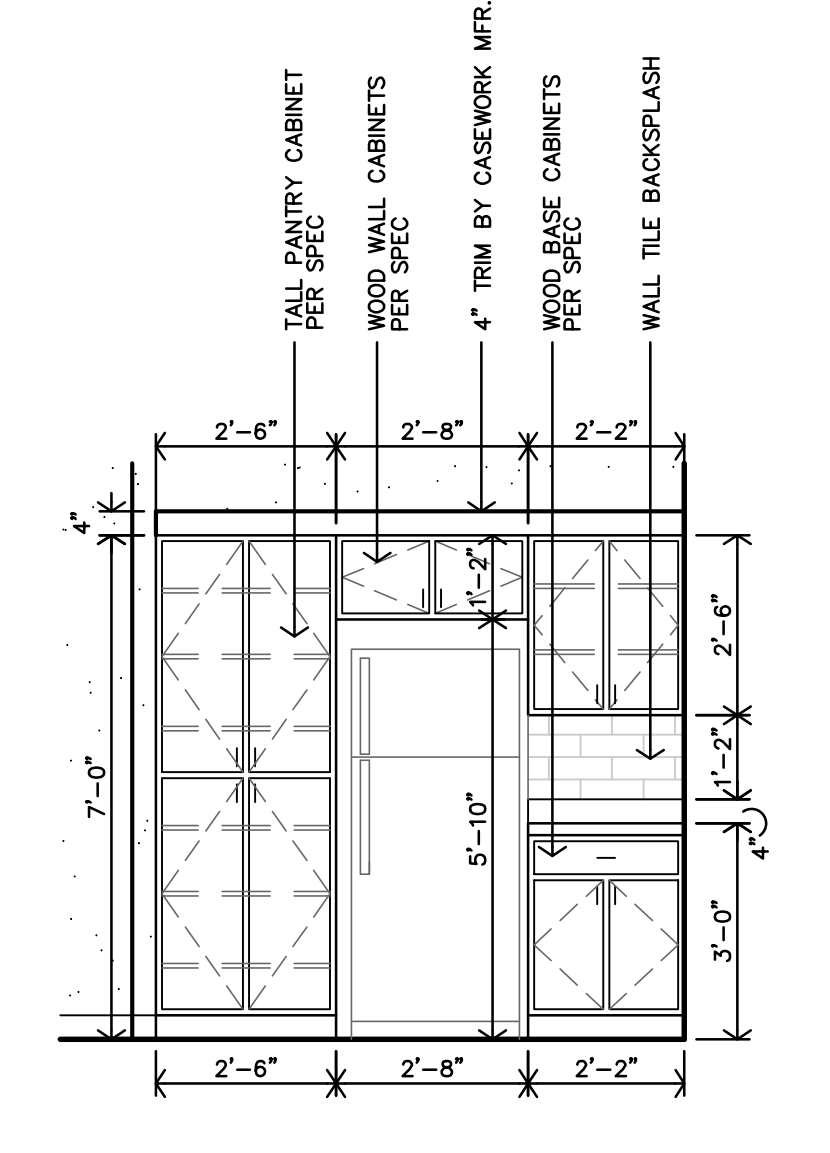
J
ADAPTABLE KITCHEN - TYPE #5 INTERIOR ELEVATION
3/8"=1'-0" UNITS: APT. 11 (#202), APT. 19 (#302)



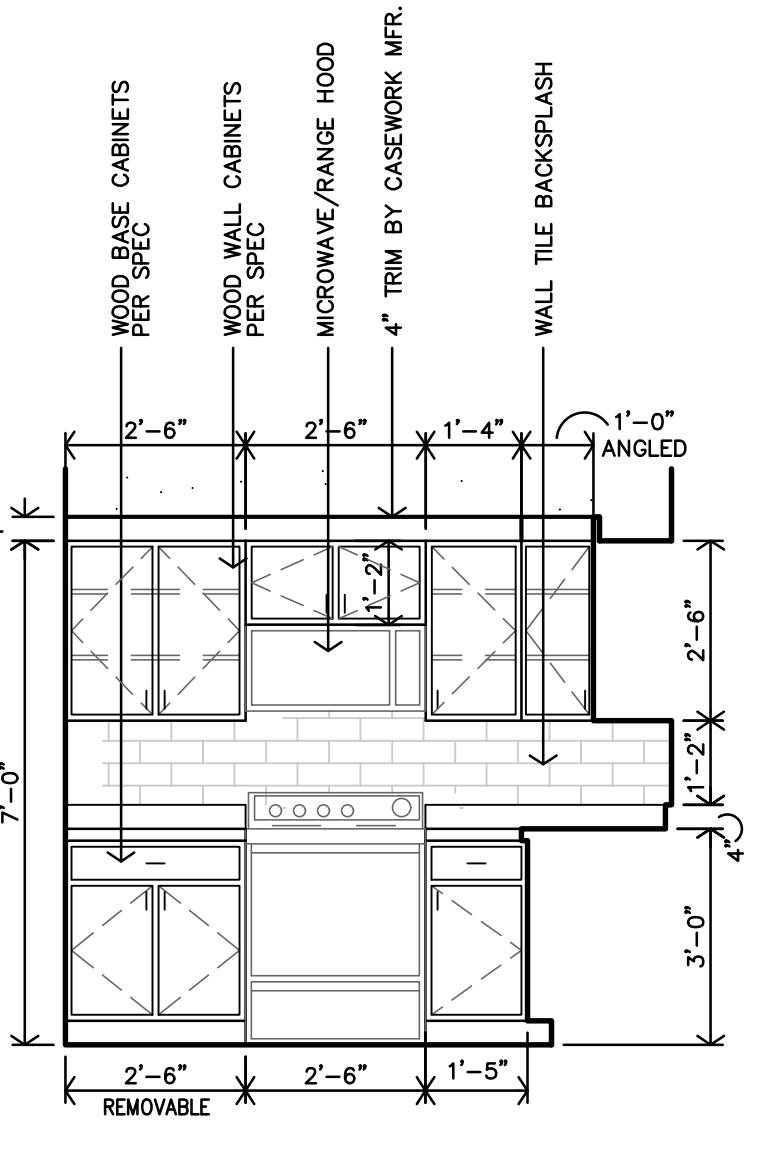
H
ADAPTABLE KITCHEN - TYPE #4 INTERIOR ELEVATION
3/8"=1'-0" UNITS: APT. 9 (#127)



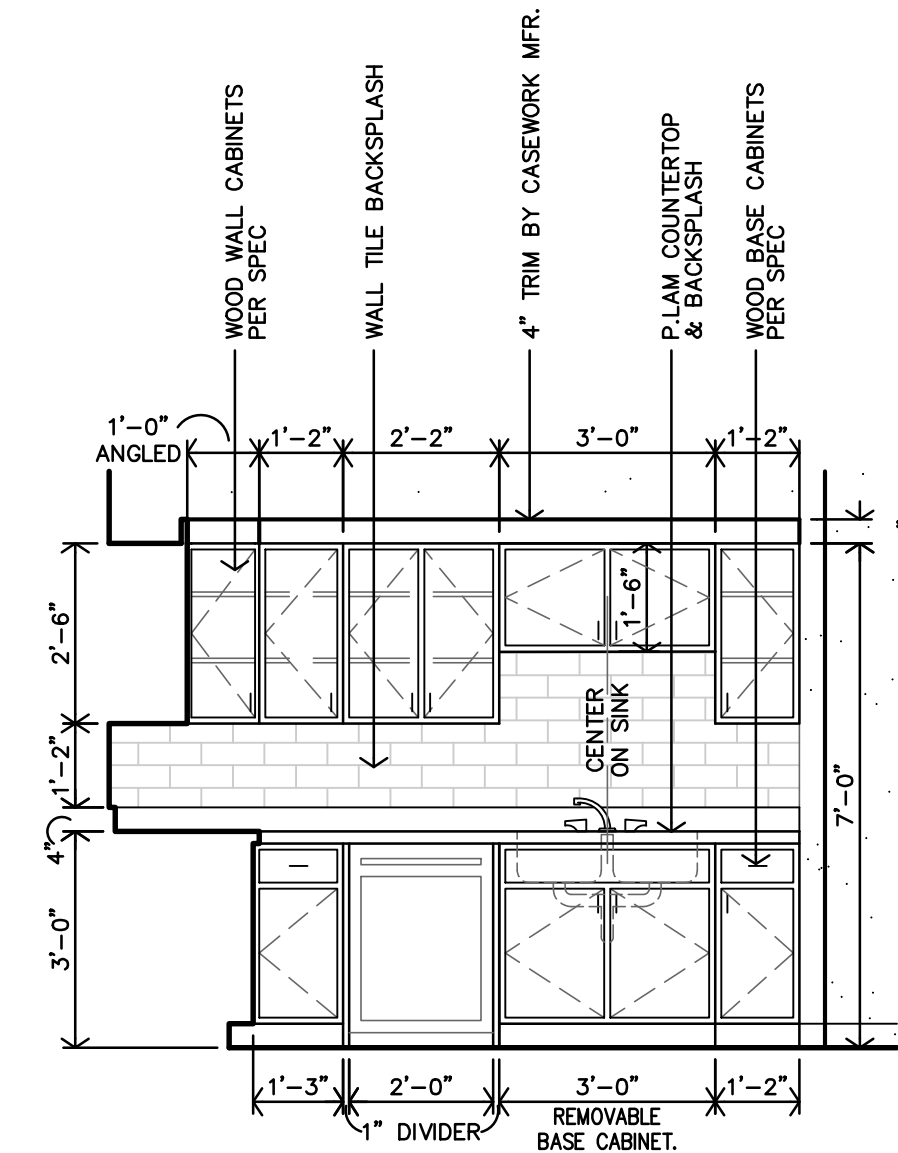
G
ADAPTABLE KITCHEN - TYPE #4 INTERIOR ELEVATION
3/8"=1'-0" UNITS: APT. 9 (#127)



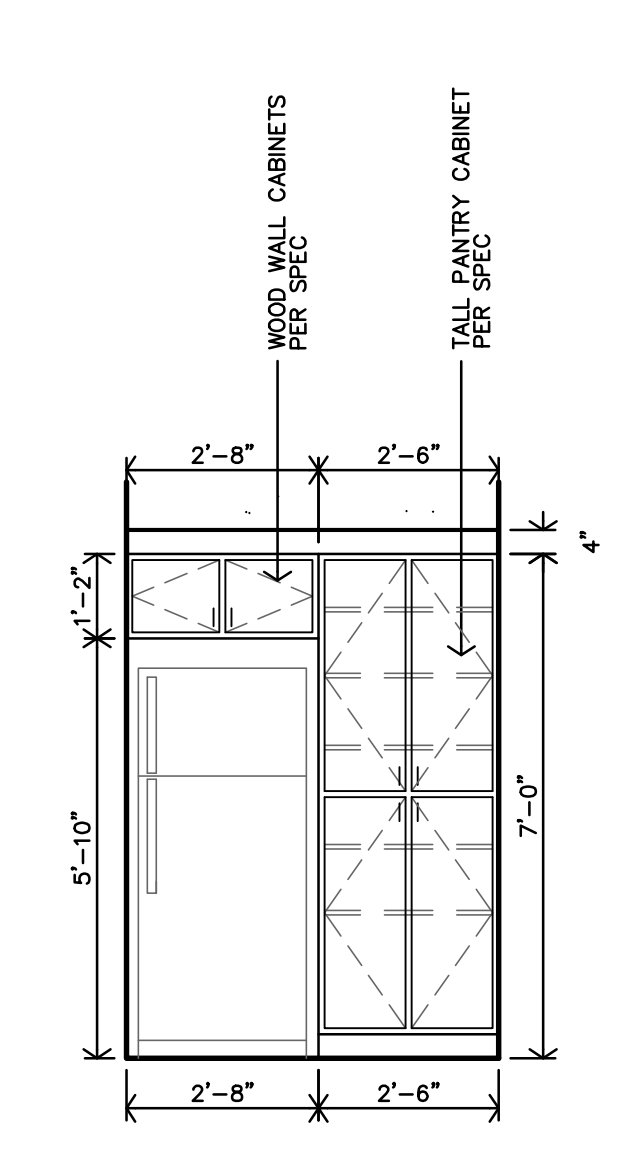
F
ADAPTABLE KITCHEN - TYPE #3 INTERIOR ELEVATION
3/8"=1'-0" UNITS: APT. 8 (#126)



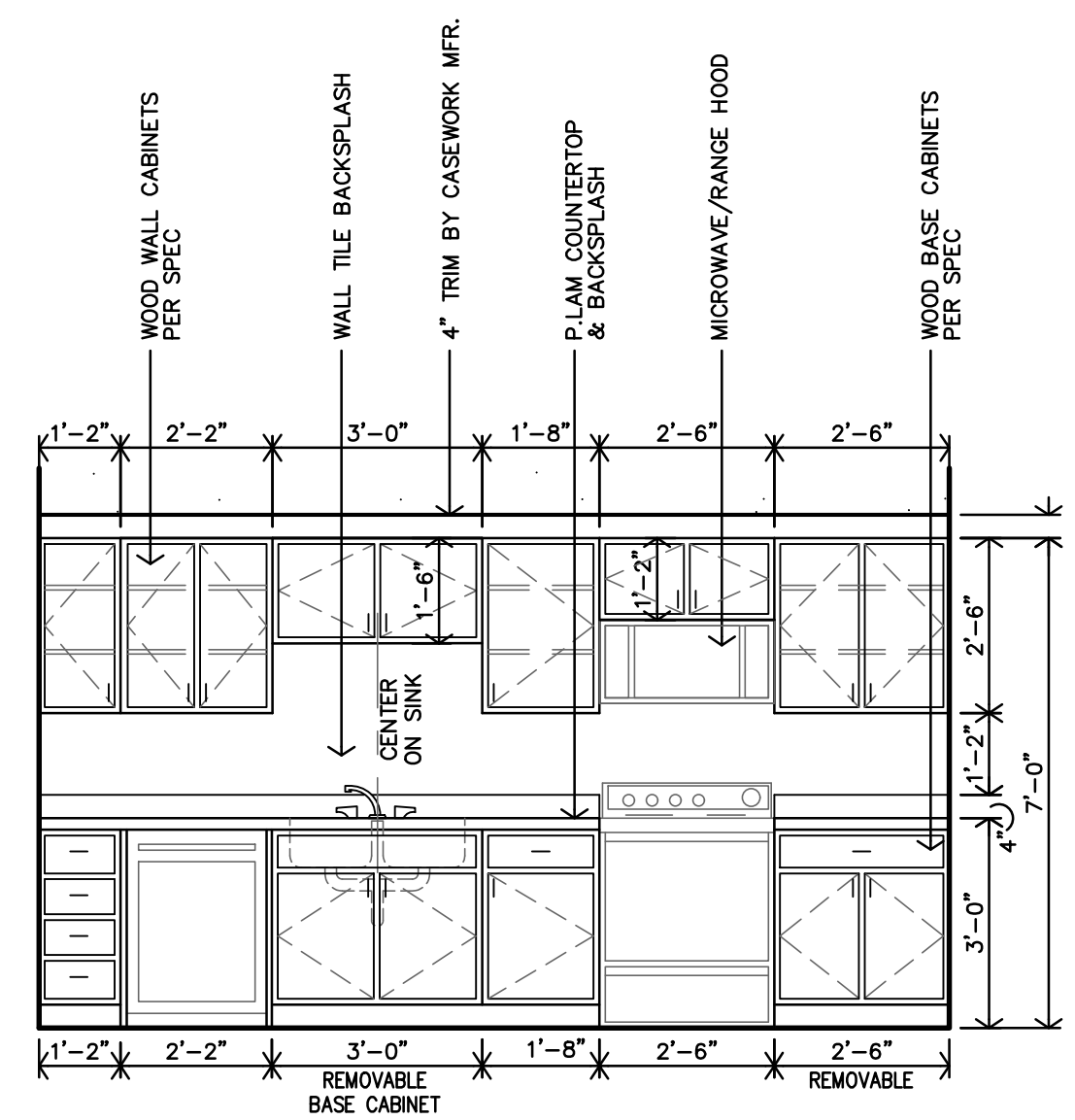
E
ADAPTABLE KITCHEN - TYPE #3 INTERIOR ELEVATION
3/8"=1'-0" UNITS: APT. 8 (#126)



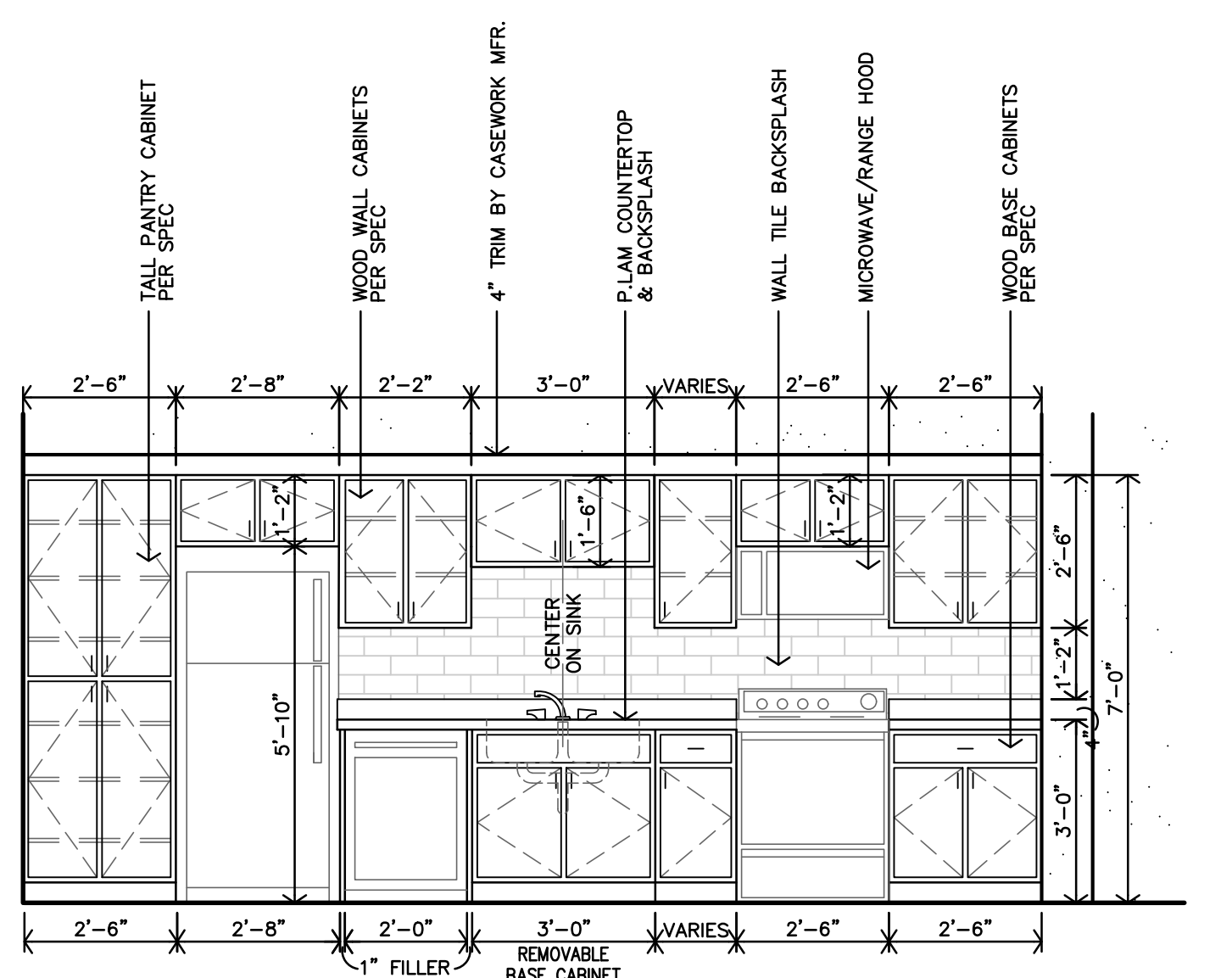
D
ADAPTABLE KITCHEN - TYPE #3 INTERIOR ELEVATION
3/8"=1'-0" UNITS: APT. 8 (#126)



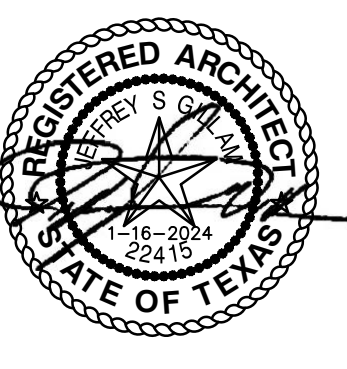
C
ADAPTABLE KITCHEN - TYPE #2 INTERIOR ELEVATION
3/8"=1'-0" UNITS: APT. 7 (#311)



B
ADAPTABLE KITCHEN - TYPE #2 INTERIOR ELEVATION
3/8"=1'-0" UNITS: APT. 7 (#311)



A
ADAPTABLE KITCHEN - TYPE #1 INTERIOR ELEVATION
3/8"=1'-0" UNITS: APT. 2 (#112), APT. 3 (#113), APT. 4 (#114), APT. 5 (#118), APT. 6 (#122), APT. 10 (#201), APT. 13 (#207), APT. 18 (#301), APT. 21 (#307)



REVISION:
DATE: 1-16-2024
JOB: 22-3281
SHEET NO.:

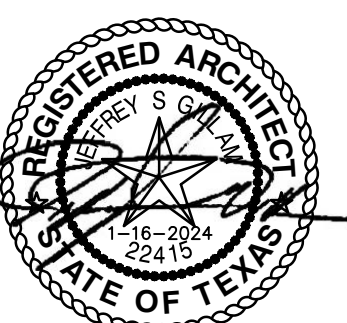


BP24-0000249
 REVIEWED for code
 compliance
 4/15/2024

JonesGillamRenz
 1881 Main Street, Suite 301
 Salina, KS 67401
 785.827.0386
 jgr@jgarchitects.com



ROOSEVELT LOFTS
 HISTORIC REHABILITATION - APARTMENTS
 SAN ANGELO, TEXAS

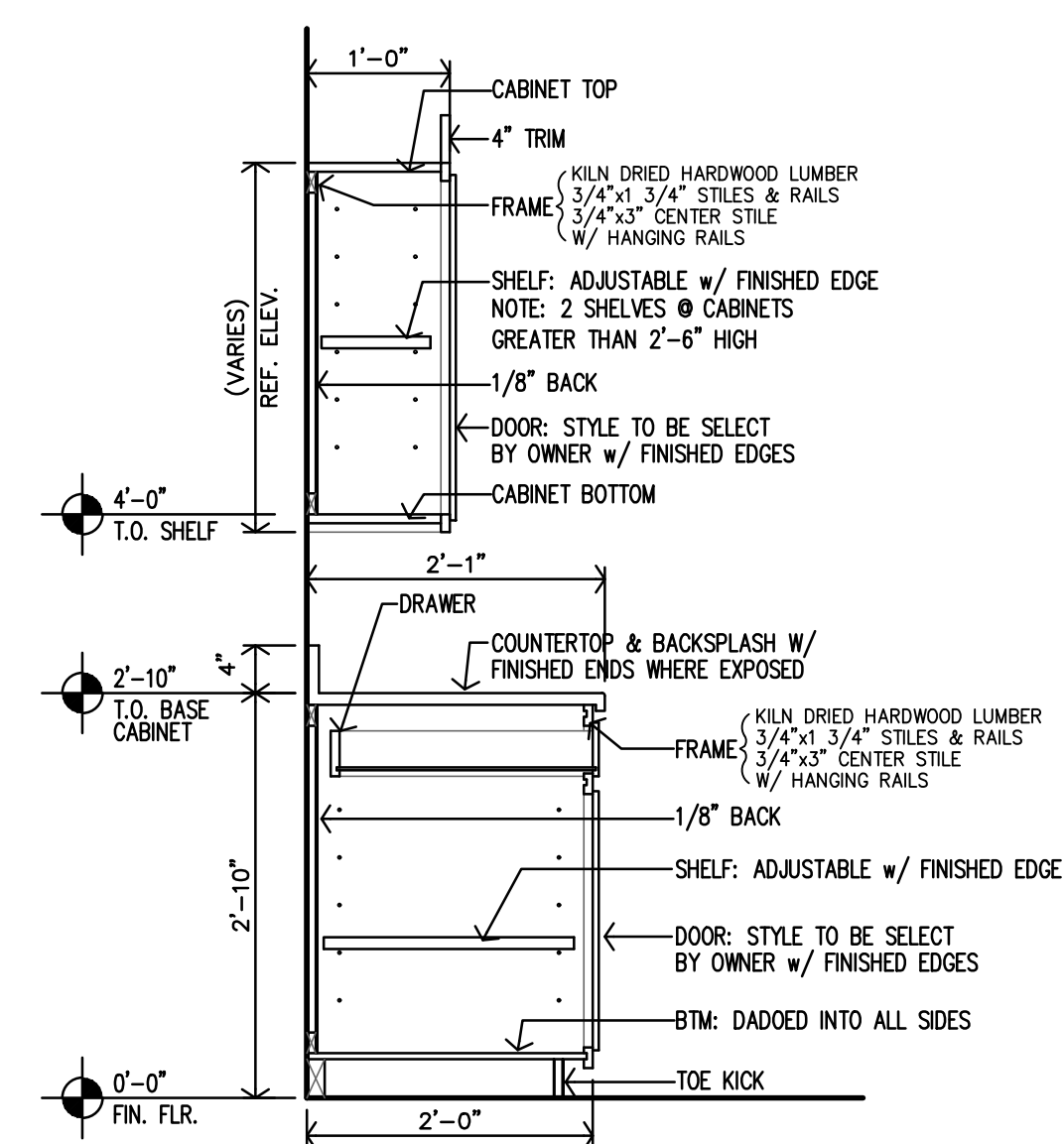


REVISION:
 DATE: 1-16-2024
 JOB: 22-3281
 SHEET NO.:

A9.5

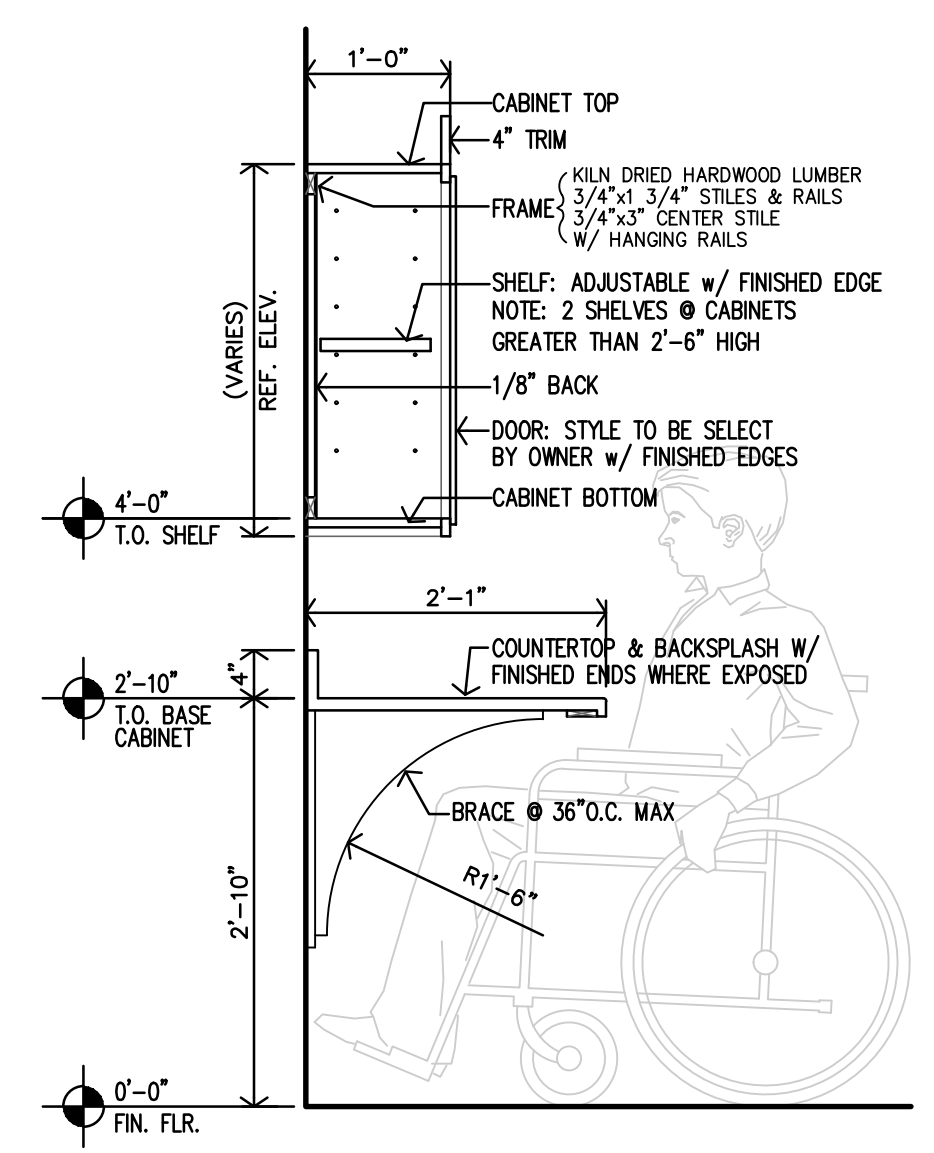
COPYRIGHTED

- CASEWORK NOTES:**
- REF SHEET A2.0 FOR GENERAL NOTES.
 - CONTRACTOR TO INSTALL 2x8 FIRE TREATED BLOCKING IN WALLS FOR ALL WALL MOUNTED/SUPPORTED COUNTERTOPS, BRACES, ETC.
 - REMOVABLE CABINETS TO PROVIDE 30" CLEAR MIN.
 - FLOORING & WALL FINISH TO BE CONTINUOUS AT REMOVABLE CABINETS & APPLIANCES.
 - REF CASEWORK SECTIONS ON SHEET A9.5
 - ALL BLOCKING TO BE 2x8 FIRE TREATED.



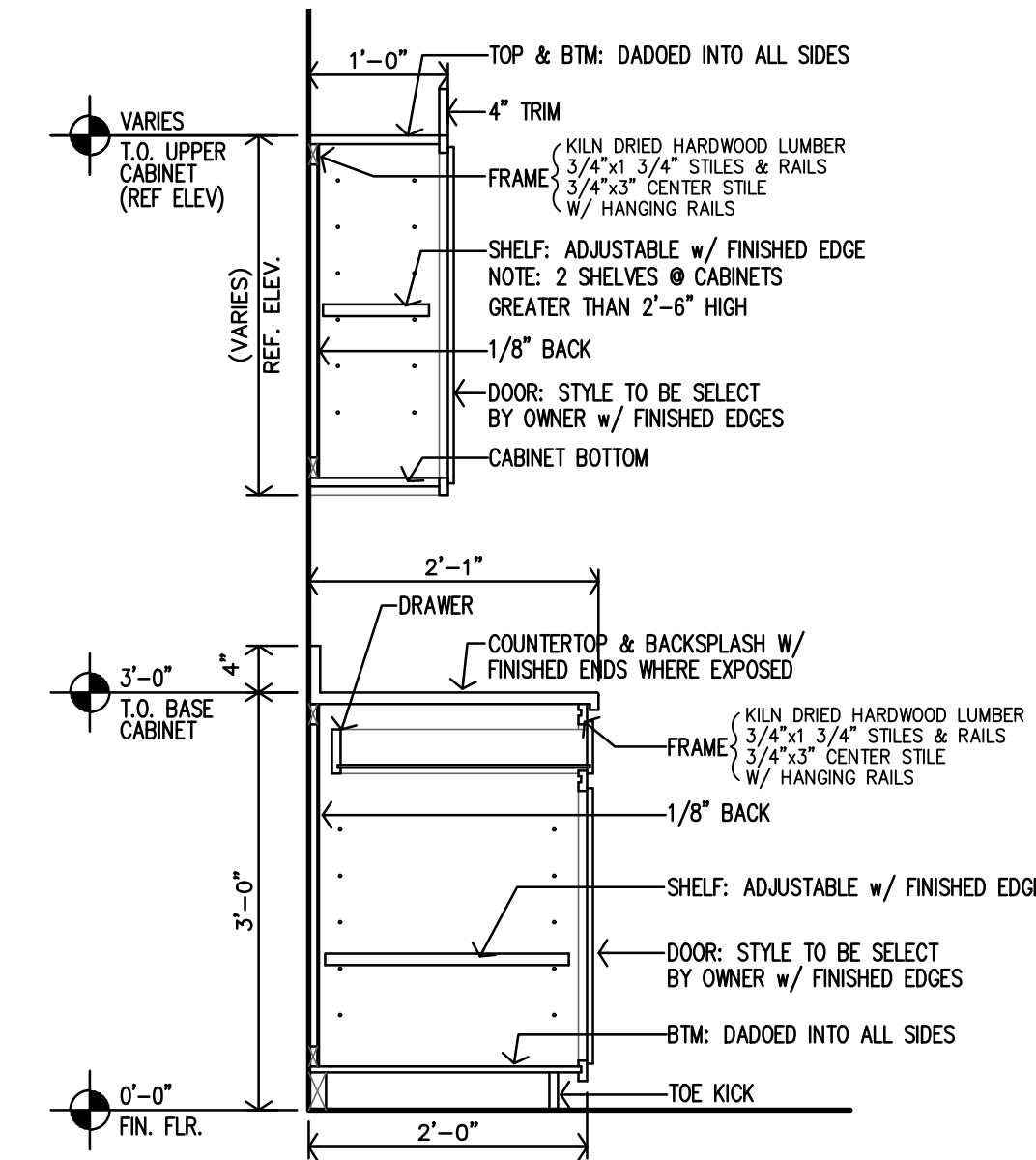
NOTES:
 1. MANUFACTURER SHALL SUBMIT SHOP DRAWINGS FOR APPROVAL.
 2. MANUFACTURER SHALL PROVIDE ALL FILLERS/BRACES TO MATCH CABINETS.

K ACCESSIBLE KITCHEN CASEWORK SECTION
 3/4"=1'-0"



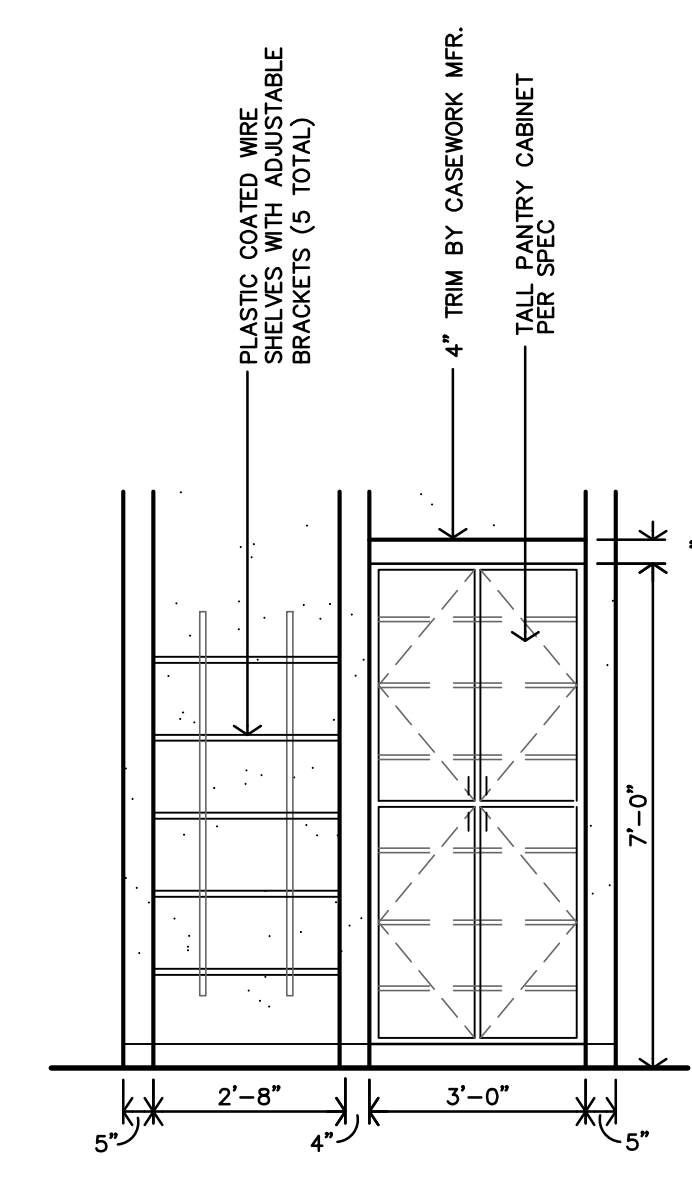
NOTES:
 1. MANUFACTURER SHALL SUBMIT SHOP DRAWINGS FOR APPROVAL.
 2. MANUFACTURER SHALL PROVIDE ALL FILLERS/BRACES TO MATCH CABINETS.

J ACCESSIBLE KITCHEN CASEWORK SECTION
 3/4"=1'-0"

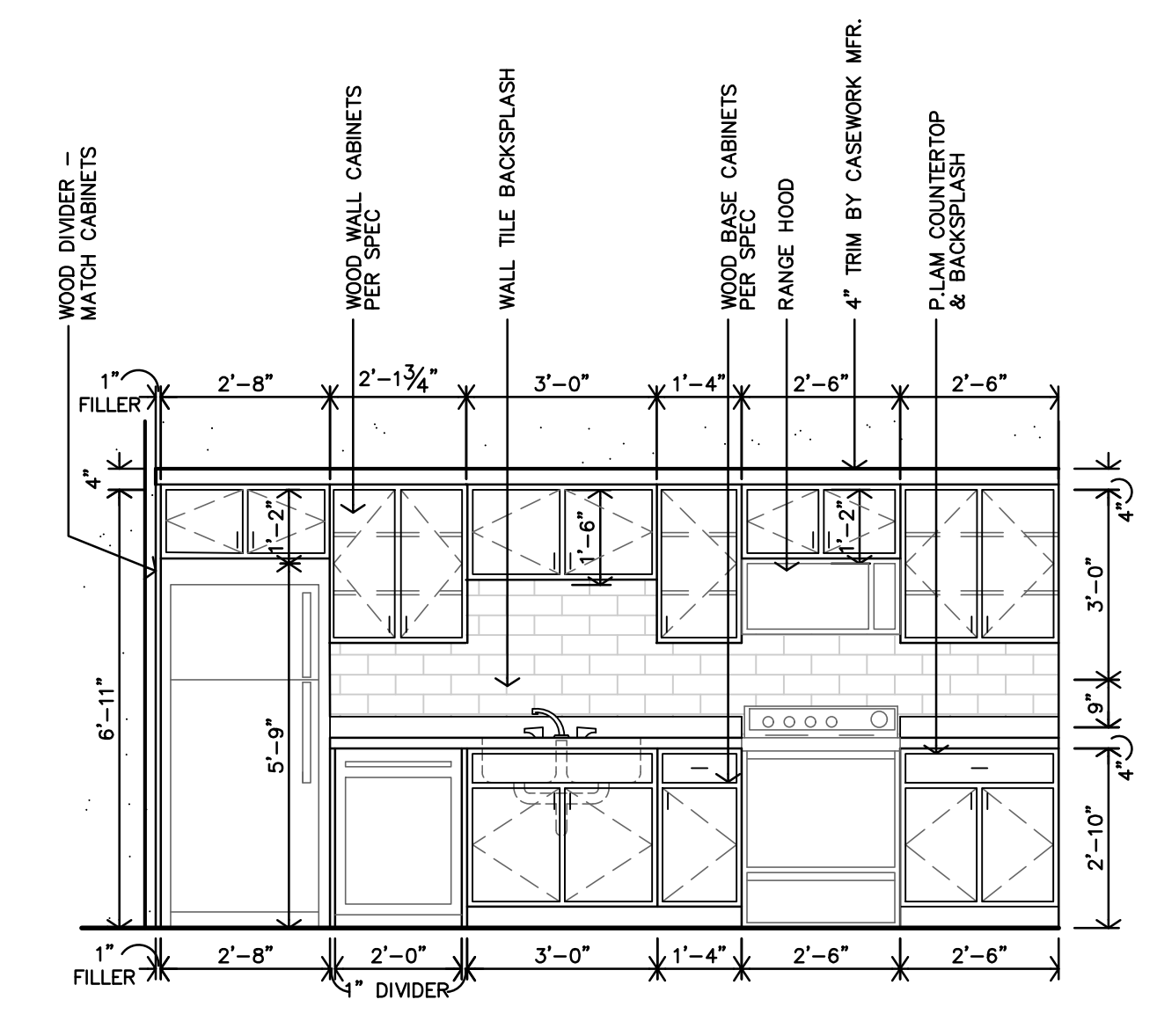


NOTES:
 1. MANUFACTURER SHALL SUBMIT SHOP DRAWINGS FOR APPROVAL.
 2. MANUFACTURER SHALL PROVIDE ALL FILLERS/BRACES TO MATCH CABINETS.

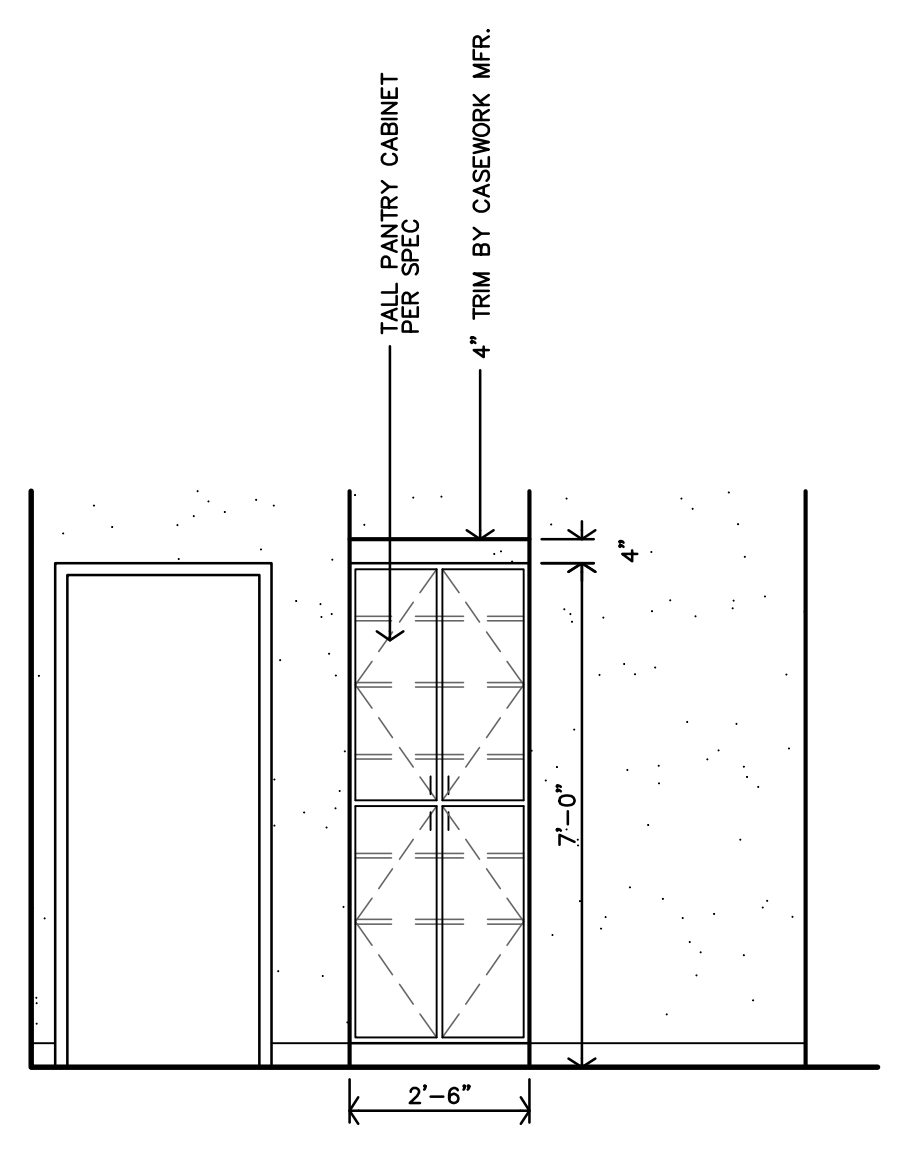
H ADAPTABLE KITCHEN CASEWORK SECTION
 3/4"=1'-0"



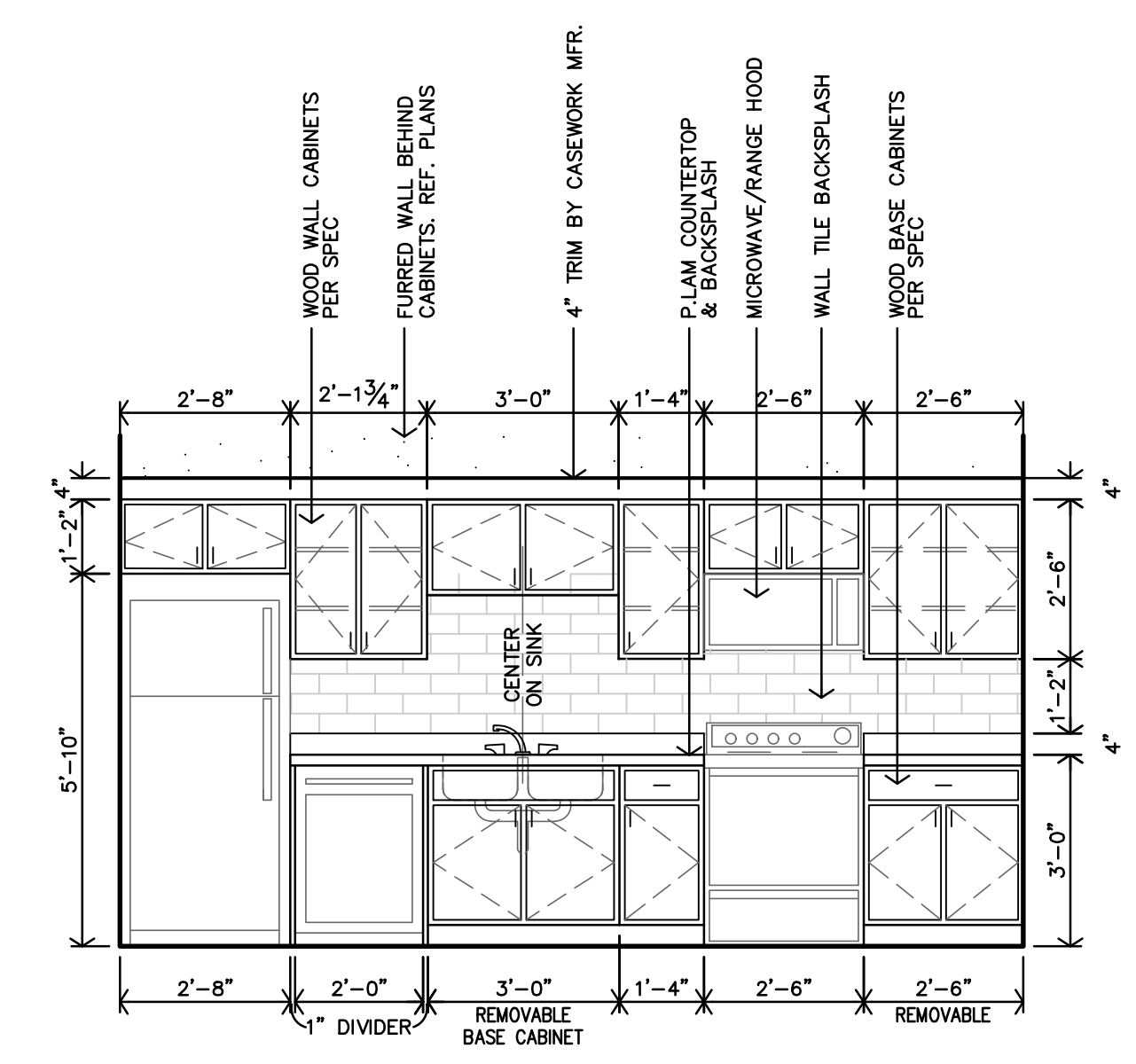
G ADAPTABLE KITCHEN - TYPE #10 INTERIOR ELEVATION
 3/8"=1'-0" UNITS: APT. 20 (#303)



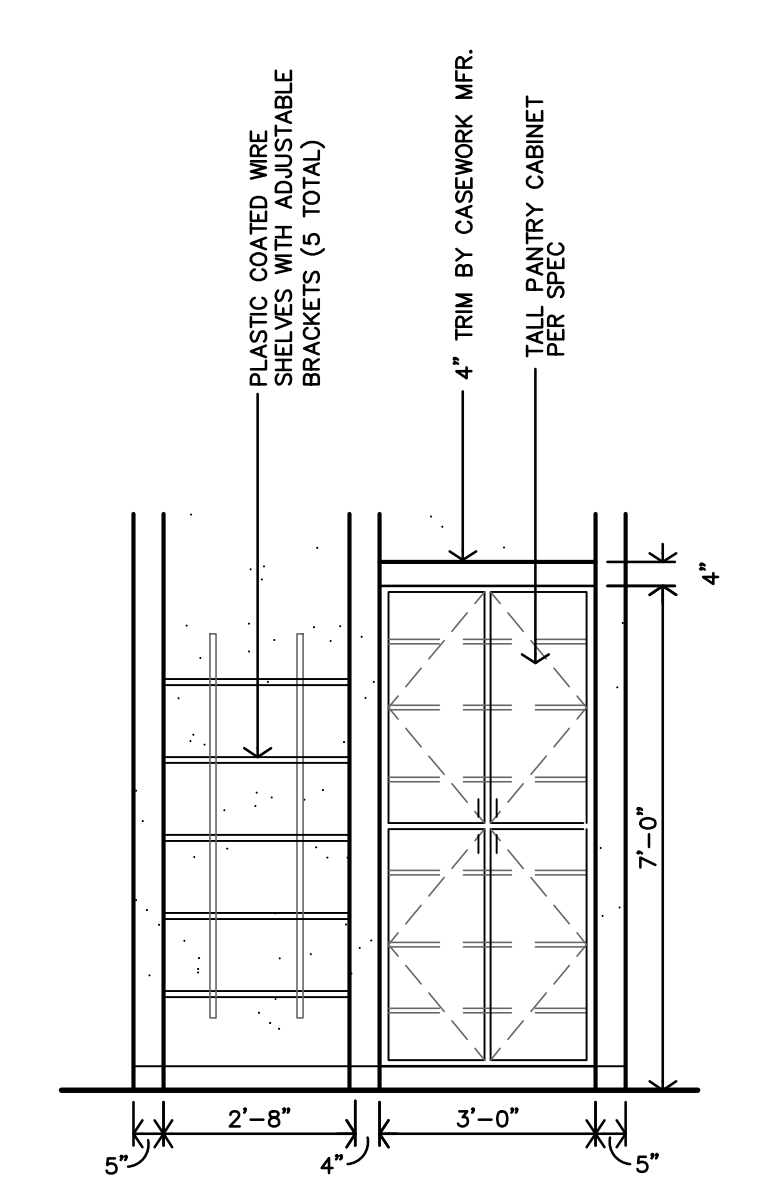
F ADAPTABLE KITCHEN - TYPE #10 INTERIOR ELEVATION
 3/8"=1'-0" UNITS: APT. 20 (#303)



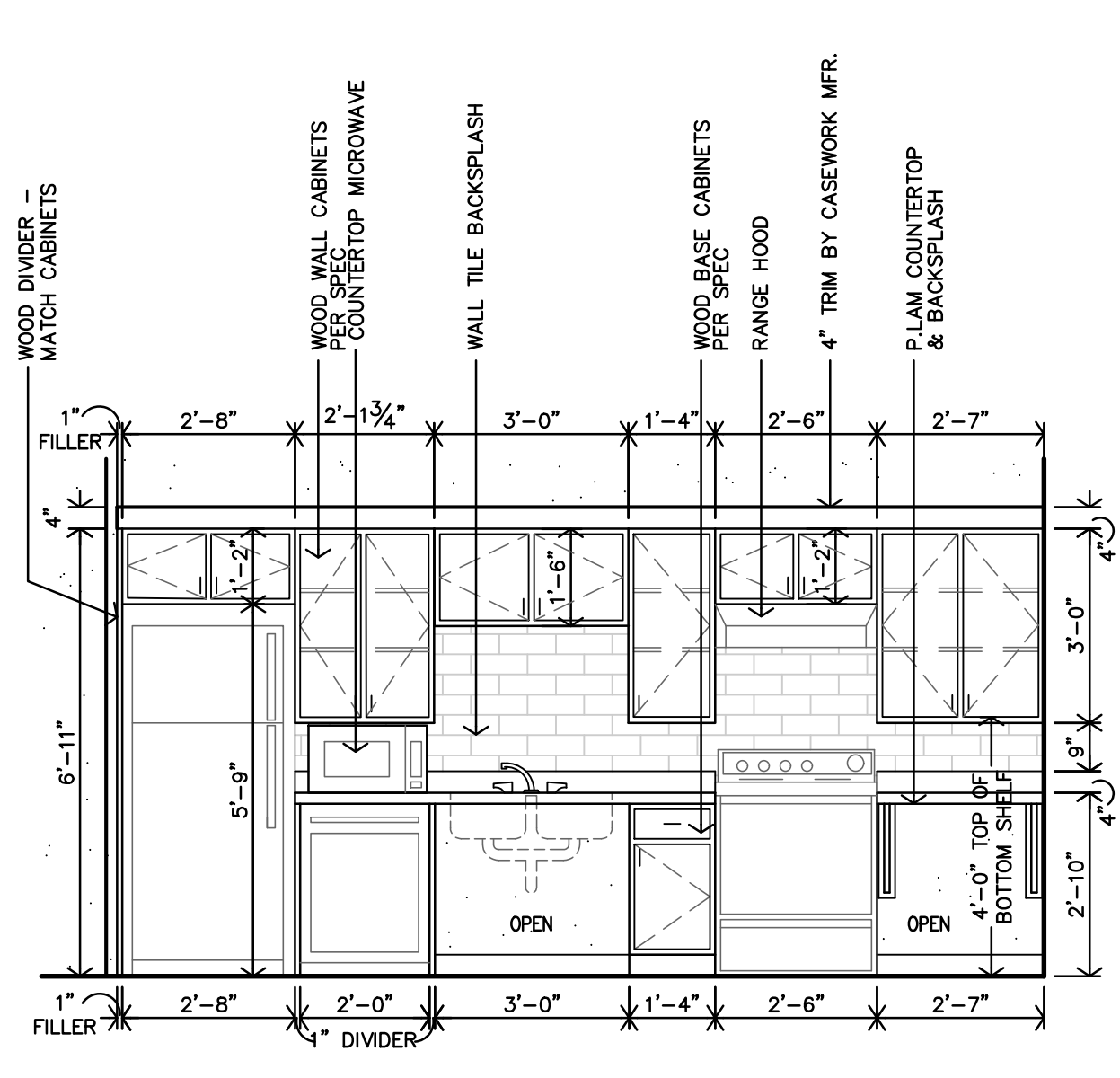
E ADAPTABLE KITCHEN - TYPE #10 INTERIOR ELEVATION
 3/8"=1'-0" UNITS: APT. 15 (#211), APT. 23 (#311)



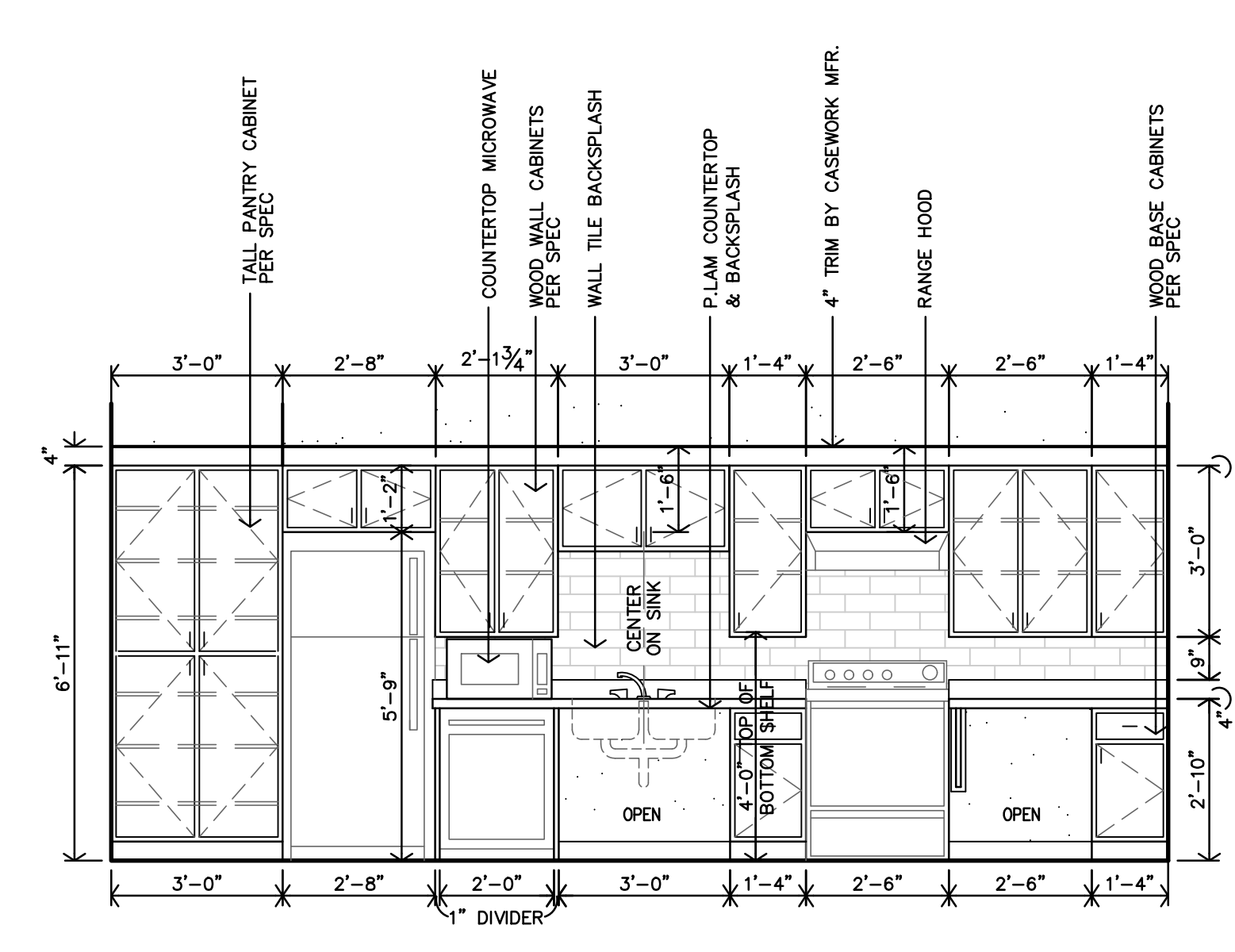
D ADAPTABLE KITCHEN - TYPE #10 INTERIOR ELEVATION
 3/8"=1'-0" UNITS: APT. 15 (#211), APT. 23 (#311)



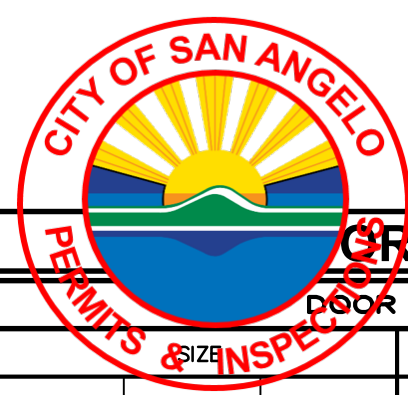
C ACCESSIBLE KITCHEN - TYPE #9 INTERIOR ELEVATION
 3/8"=1'-0" UNITS: APT. 12 (#203)



B ACCESSIBLE KITCHEN - TYPE #9 INTERIOR ELEVATION
 3/8"=1'-0" UNITS: APT. 12 (#203)



A ACCESSIBLE KITCHEN - TYPE #8 INTERIOR ELEVATION
 3/8"=1'-0" UNITS: APT. 1 (#109)



PERMITS & INSPECTIONS

8P24-0000249
REVIEWED for code
compliance
4/15/2024

MARK	LOCATION	DOOR			FRAME			DETAILS	REMARKS
		MATERIAL	TYPE	FINISH	MATERIAL	TYPE	FINISH		
A	BDRM/BATH/CLST	3'-0"	6'-8"	1 3/4"	H.C. WOOD			C/D-A10.2	1,4
B	CLOSET	PR3'-0"	6'-8"	1 3/4"				J/K-A10.2	3
C	CLOSET	PR5'-0"	6'-8"	1 3/4"				E/F-A10.2	
D	CLOSET	PR4'-0"	6'-8"	1 3/4"				E/F-A10.2	
E	MECHANICAL	PR5'-0"	6'-8"	1 3/4"				E/F-A10.2	5
F	MECHANICAL	PR4'-0"	6'-8"	1 3/4"				E/F-A10.2	5
G	MECHANICAL	3'-0"	6'-8"	1 3/4"				E/F-A10.2	5
H	LAUNDRY	PR1'-6"	6'-8"	1 3/4"				J/K-A10.2	3
J	BATH	3'-0"	6'-8"	1 3/4"				G/H-A10.2	2,4
K	CLOSET	1'-6"	6'-8"	1 3/4"				E/F-A10.2	

GENERAL NOTES:

- ALL DOOR HARDWARE SHALL BE LEVER TYPE LATCH SETS U.N.O. PROVIDED & INSTALLED PER SPECIFICATIONS SECTION 8710.
 - COORDINATE W/ MFR. FOR ADA INSTALLATION REQUIREMENTS.
 - COORDINATE KEYING REQUIREMENTS WITH OWNER.
 - CONTRACTOR TO REVIEW AND ENSURE THE FOLLOWING ITEMS AND STATUTES HAVE BEEN MET AS WELL.
- <http://codes.iccsafe.org/content/IFPB2018/92/D/92-1.5.1>
- Window latch on each exterior window of dwelling.
 - Door knob lock or keyed dead bolt on each exterior door.
 - Sliding door pin lock on each exterior sliding glass door.
 - Handle latch or security bar on each exterior sliding glass door.
 - Keyless building device used a door viewer on each exterior door.
- D. ALL SIGNAGE TO HAVE BRAILLE/TACTILE SURFACE.

SPECIFIC NOTES:

- BEDROOM & BATH DOOR - HARDWARE TO BE PRIVACY LEVER TYPE LATCH SET. POCKET DOOR - 32" MIN CLEAR OPENING, W/ ADA COMPLIANT HANDLE SIMILAR TO TRIMCO SERIES 1099.
- BI-PASS/BI-FOLD DOORS - VERIFY FINISHED G.B. OPENING W/ SIZE OF DOOR HARDWARE & MANUFACTURER.
- BEDROOM & BATH DOORS - UNDER DOOR PER MESH DRWG. 1" TYP.
- MECHANICAL DOORS WITHIN UNITS SHALL BE LOCKED, NOT ACCESSIBLE TO RESIDENTS

PUBLIC DOOR SCHEDULE

MARK	DOOR			FRAME			RATING	DETAILS	REMARKS	
	W	H	T	MATERIAL	TYPE	FINISH				MATERIAL
001	3'-0"	7'-0" f.v.	1 3/4"	HOLLOW METAL ALUMINUM		F			B-A10.5	9
002	3'-0"	7'-0" f.v.	1 3/4"			F			A-A10.5	9
003	3'-0"	7'-0" f.v.	1 3/4"			F			A-A10.5	9
004	3'-0"	7'-0" f.v.	1 3/4"			F			A-A10.5	9, SPANDREL GLASS
005	3'-0"	7'-0" f.v.	1 3/4"			F			A-A10.5	9
006	PR2'-10" f.v.	7'-0" f.v.	1 3/4"			F			A-A10.5	9
007	PR3'-0"	7'-0" f.v.	1 3/4"			F			A-A10.5	9
008	2'-10" f.v.	7'-0" f.v.	1 3/4"			F			A-A10.5	9
009	2'-10" f.v.	7'-0" f.v.	1 3/4"			F			A-A10.5	9
010	2'-10" f.v.	7'-0" f.v.	1 3/4"			F			A-A10.5	9
011	2'-10" f.v.	7'-0" f.v.	1 3/4"			F			A-A10.5	9
012	2'-10" f.v.	7'-0" f.v.	1 3/4"			F			A-A10.5	9
013	3'-3" f.v.	7'-0" f.v.	1 3/4"			F			A-A10.5	9
014	2'-8" f.v.	7'-0" f.v.	1 3/4"			F			A-A10.5	9
015	3'-0" f.v.	7'-0" f.v.	1 3/4"			K			A-A10.5 SIM	9
016	3'-0" f.v.	7'-0" f.v.	1 3/4"			K			A-A10.5 SIM	9

MARK	DOOR			FRAME			RATING	DETAILS	REMARKS	
	W	H	T	MATERIAL	TYPE	FINISH				MATERIAL
101	3'-0"	7'-0"	1 3/4"			F			A-A10.7	1,2,3,4
102	3'-0"	7'-0"	1 3/4"			F			B/C/D-A10.5	1,2,3,4
103	3'-0"	6'-8"	1 3/4"			G			N/O-A10.2	
104	3'-0"	6'-8"	1 3/4"			H			60min N/O-A10.2	11
106	3'-0"	6'-8"	1 3/4"			G			60min N/O-A10.2	
107	3'-0"	6'-8"	1 3/4"			G			60min N/O-A10.2	
108	3'-0"	6'-8"	1 3/4"			G			60min N/O-A10.2	
109	3'-0"	6'-8"	1 3/4"			G			60min N/O-A10.2	
110	2'-6"	6'-8"	1 3/4"			G			N/O-A10.2	
111	3'-0"	6'-8"	1 3/4"			A			60min C/D-A10.2	5,6,7,8
112	3'-0"	6'-8"	1 3/4"			J			60min N/O-A10.2	
113	3'-0"	6'-8"	1 3/4"			A			20min C/D-A10.2	5,6,7,8
114	3'-0"	6'-8"	1 3/4"			G			20min C/D-A10.2	
116	3'-0"	6'-8"	1 3/4"			A			20min C/D-A10.2	5,6,7,8
117	3'-0"	6'-8"	1 3/4"			A			20min C/D-A10.2	5,6,7,8
118	3'-0"	6'-8"	1 3/4"			G			F/E-A10.2	
119	3'-0"	6'-8"	1 3/4"			G			60min N/O-A10.2	
121	3'-0"	6'-8"	1 3/4"			A			60min C/D-A10.2	5,6,7,8
122	3'-0"	6'-8"	1 3/4"			G			F/E-A10.2	
123	3'-0"	7'-0"	1 3/4"			F			A-A10.7	1,2,3,4
124	3'-0"	6'-8"	1 3/4"			J			60min N/O-A10.2	
126	3'-0"	6'-8"	1 3/4"			A			20min C/D-A10.2	5,6,7,8
127	3'-0"	6'-8"	1 3/4"			A			20min C/D-A10.2	5,6,7,8
128	3'-0"	6'-8"	1 3/4"			G			60min N/O-A10.2	
129	3'-0"	6'-8"	1 3/4"			A			20min C/D-A10.2	5,6,7,8
131	3'-0"	6'-8"	1 3/4"			A			20min C/D-A10.2	5,6,7,8
132	3'-0"	6'-8"	1 3/4"			J			60min N/O-A10.2	
133	3'-0"	7'-0" f.v.	1 3/4"			F			A-A10.5 SIM	1,2,3,4

MARK	DOOR			FRAME			RATING	DETAILS	REMARKS	
	W	H	T	MATERIAL	TYPE	FINISH				MATERIAL
201	3'-0"	6'-8"	1 3/4"			A			20min C/D-A10.2	5,6,7,8
202	3'-0"	6'-8"	1 3/4"			A			20min C/D-A10.2	5,6,7,8
203	3'-0"	6'-8"	1 3/4"			A			20min C/D-A10.2	5,6,7,8
204	3'-0"	6'-8"	1 3/4"			G			20min C/D-A10.2	
206	3'-0"	6'-8"	1 3/4"			A			20min C/D-A10.2	5,6,7,8
207	3'-0"	6'-8"	1 3/4"			G			20min C/D-A10.2	
208	PR3'-0"	6'-8"	1 3/4"			J			60min C/D-A10.2	10
209	3'-0"	6'-8"	1 3/4"			G			20min C/D-A10.2	
211	3'-0"	6'-8"	1 3/4"			A			20min C/D-A10.2	5,6,7,8
212	3'-0"	6'-8"	1 3/4"			A			20min C/D-A10.2	5,6,7,8
213	3'-0"	6'-8"	1 3/4"			A			20min C/D-A10.2	5,6,7,8
214	3'-0"	6'-8"	1 3/4"			A			20min C/D-A10.2	5,6,7,8
216	3'-0"	6'-8"	1 3/4"			J			60min C/D-A10.2	
217	3'-0"	7'-0" f.v.	1 3/4"			F			B-A10.4	1,2,3,4

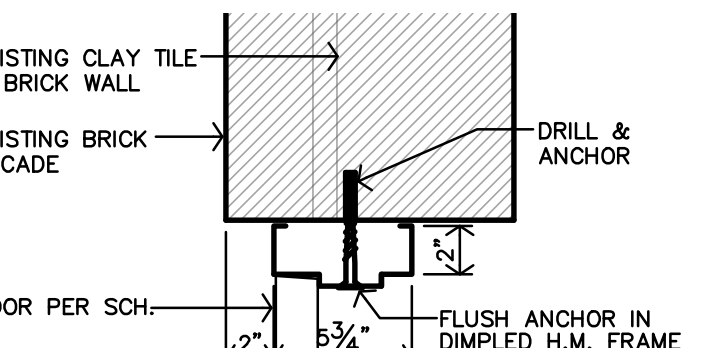
THIRD FLOOR										
301	3'-0"	6'-8"	1 3/4"			A			20min C/D-A10.2	5,6,7,8
302	3'-0"	6'-8"	1 3/4"			A			20min C/D-A10.2	5,6,7,8
303	3'-0"	6'-8"	1 3/4"			A			20min C/D-A10.2	5,6,7,8
304	3'-0"	6'-8"	1 3/4"			G			20min C/D-A10.2	
306	3'-0"	6'-8"	1 3/4"			A			20min C/D-A10.2	5,6,7,8
307	3'-0"	6'-8"	1 3/4"			G			20min C/D-A10.2	
308	PR3'-0"	6'-8"	1 3/4"			J			60min C/D-A10.2	10
309	3'-0"	6'-8"	1 3/4"			G			20min C/D-A10.2	
311	3'-0"	6'-8"	1 3/4"			A			20min C/D-A10.2	5,6,7,8
312	3'-0"	6'-8"	1 3/4"			A			20min C/D-A10.2	5,6,7,8
313	3'-0"	6'-8"	1 3/4"			A			20min C/D-A10.2	5,6,7,8
314	3'-0"	6'-8"	1 3/4"			A			20min C/D-A10.2	5,6,7,8
316	3'-0"	6'-8"	1 3/4"			J			60min C/D-A10.2	

PENTHOUSE										
P1	3'-0"	7'-0"	1 3/4"			H			P-A10.2	1,2,3,4

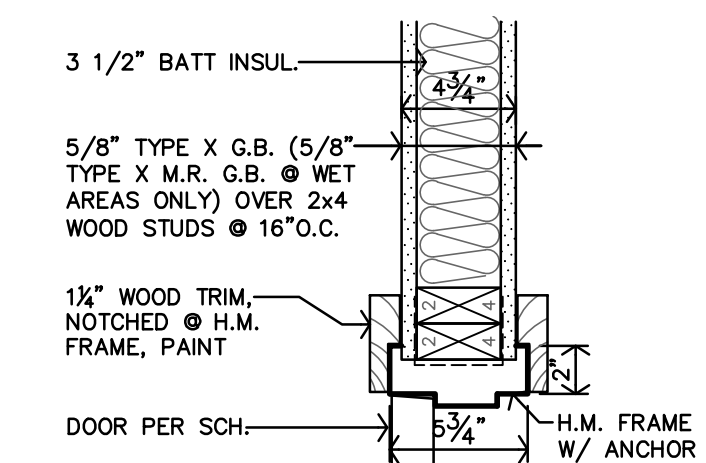
ELEVATOR										
E1	4'-0"	7'-0"							60min F-A6.1	
E2	4'-0"	7'-0"							60min F-A6.1	
E3	4'-0"	7'-0"							60min F-A6.1	

NOTES:

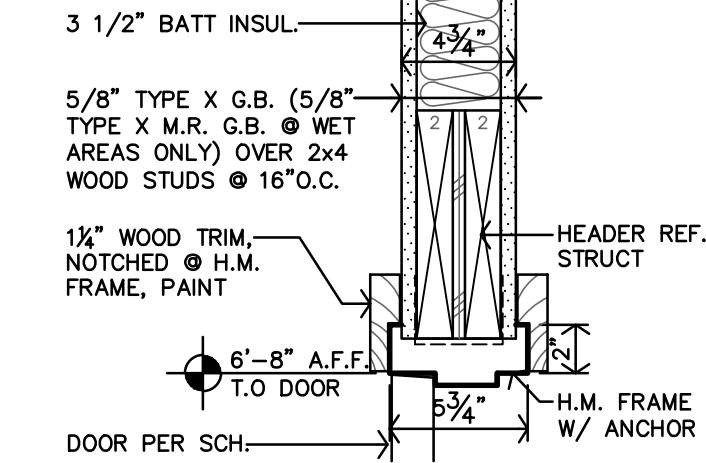
- ALL EXPOSED LINTELS TO BE PAINTED AT INTERIOR AND EXTERIOR.
- INSTALL MTL FLASHINGS & CONT. CAULKING FOR A WEATHERTIGHT SEAL AT ALL EXTERIOR DOORS & FRAMES.
- F.V. EXISTING OPENING.
- NEW EXTERIOR DOOR & FRAME - VERIFY THICKNESS OF EXISTING OPENING. INSTALL DOOR, FRAME, HARDWARE, SILL & WEATHERSTRIPPING, FOR A WEATHERTIGHT SEAL. FIELD VERIFY CONDITIONS.
- UNIT ENTRY DOOR - HARDWARE TO BE LEVER TYPE LATCH SETS. KEYED OUTSIDE & RELEASE INSIDE LOCKSET & DEADBOLT W/ THUMB TURN INSIDE & NO KEY OUTSIDE W/ 1" MIN THROW. COORDINATE W/ MFR. FOR ADA INSTALLATION REQUIREMENTS. COORDINATE KEYING REQUIREMENTS WITH OWNER. WEATHER STRIPPING TO BE INSTALLED.
- UNIT ENTRY DOOR - 180" PEEP HOLES or ADAPTABLE UNITS. (1) PEEP HOLE TO BE INSTALLED @ 60" AFF.
- UNIT ENTRY DOOR - 180" PEEP HOLES or ADAPTABLE UNITS. (2) PEEP HOLES TO BE INSTALLED @ 43" AFF & 60" AFF.
- NOISE THRESHOLD TO NOT EXCEED CODE VALUES FOR DWELLING TO CORRIDOR RATING.
- NEW DOOR & FRAME IN EXISTING OPENING. SECURE SHUT W/ NO OPERABLE HARDWARE.
- DOOR ON MAGNETIC HOLD OPEN.
- DOOR TO HAVE CLEAR, FIRE-RATED GLAZING.
- ALL EXTERIOR DOOR FRAME OPENINGS TO HAVE LIQUID APPLIED FLASHING MEMBRANE PER SPECS.



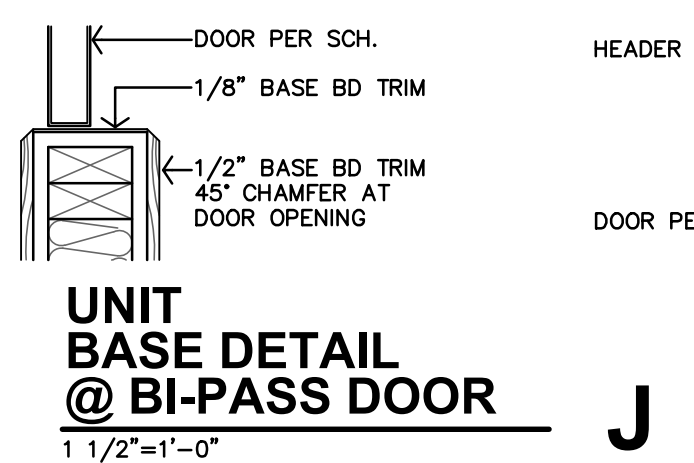
P DOOR JAMB DTL.
1 1/2"=1'-0"



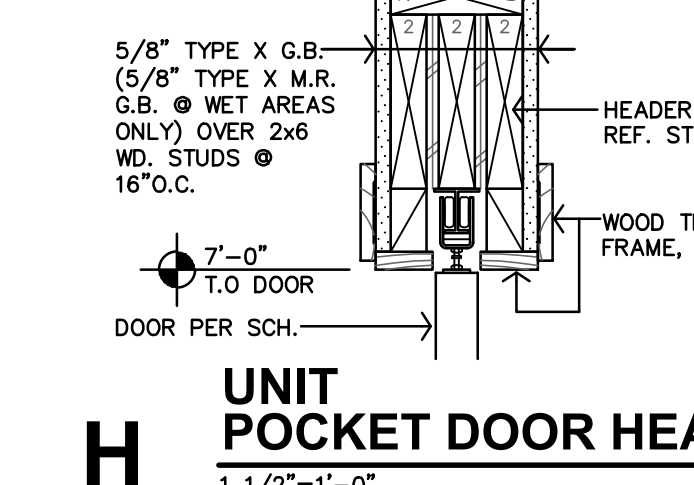
O DOOR JAMB DTL.
1 1/2"=1'-0"



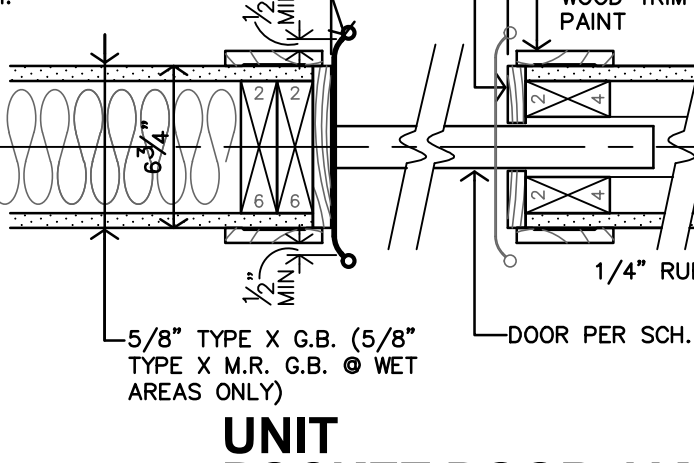
N DOOR HEAD DTL.
1 1/2"=1'-0"



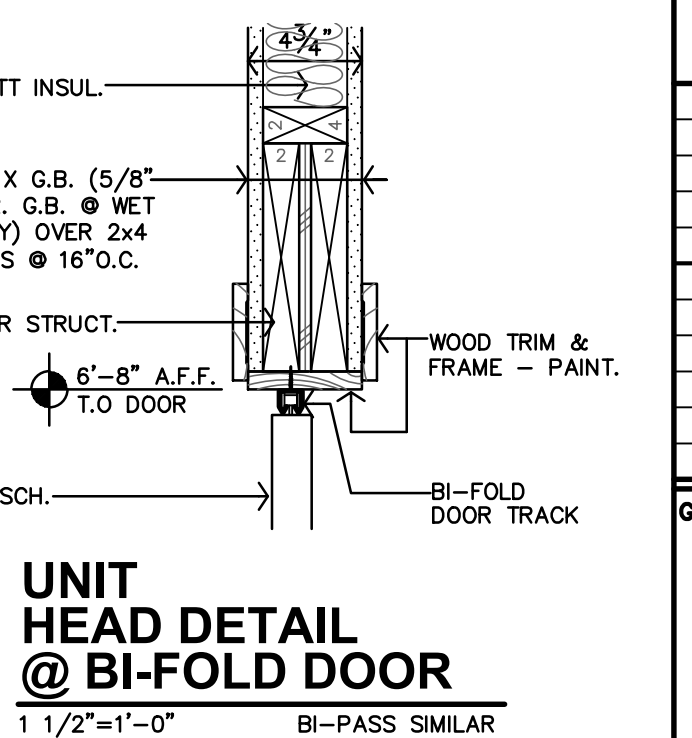
K UNIT BASE DETAIL @ BI-PASS DOOR
1 1/2"=1'-0"



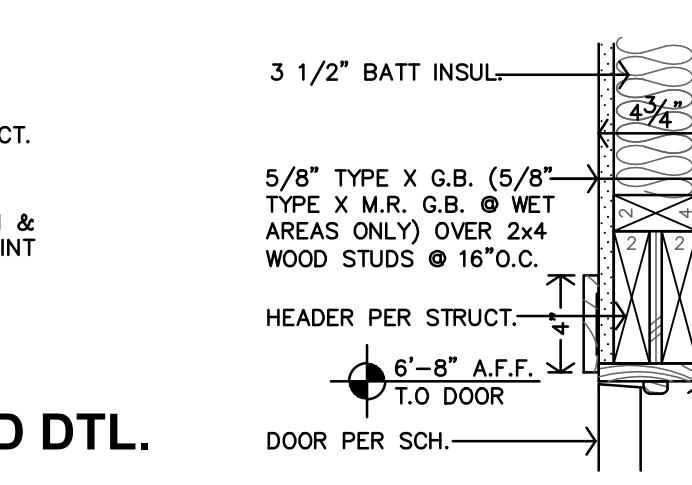
H UNIT POCKET DOOR HEAD DTL.
1 1/2"=1'-0"



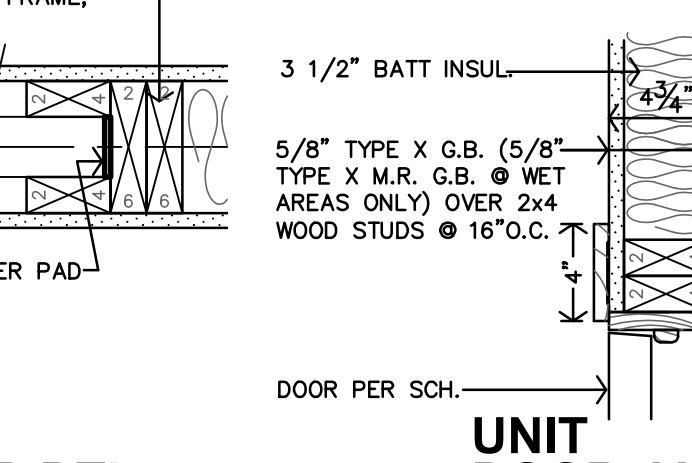
G UNIT POCKET DOOR JAMB DTL.
1 1/2"=1'-0"



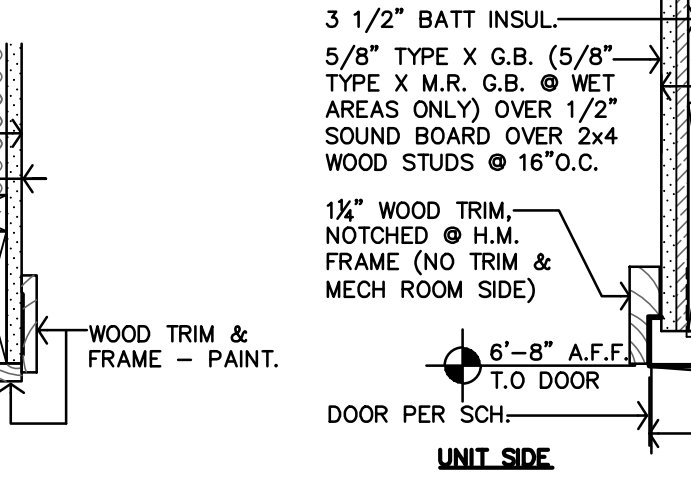
J UNIT HEAD DETAIL @ BI-FOLD DOOR
1 1/2"=1'-0"



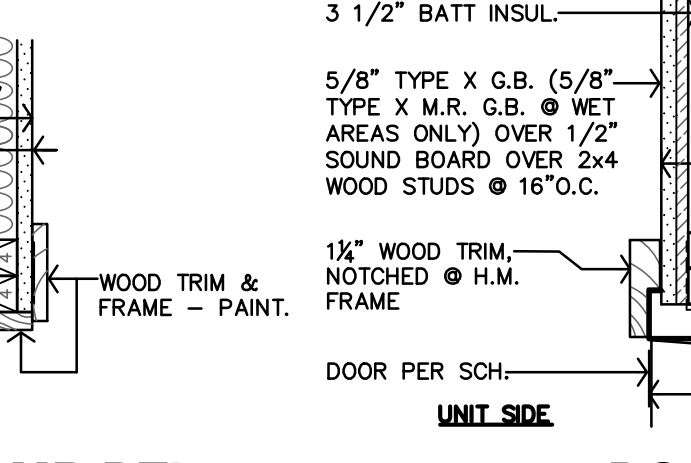
F UNIT DOOR HEAD DTL.
1 1/2"=1'-0"



E UNIT DOOR JAMB DTL.
1 1/2"=1'-0"



D DOOR HEAD DTL.
1 1/2"=1'-0"



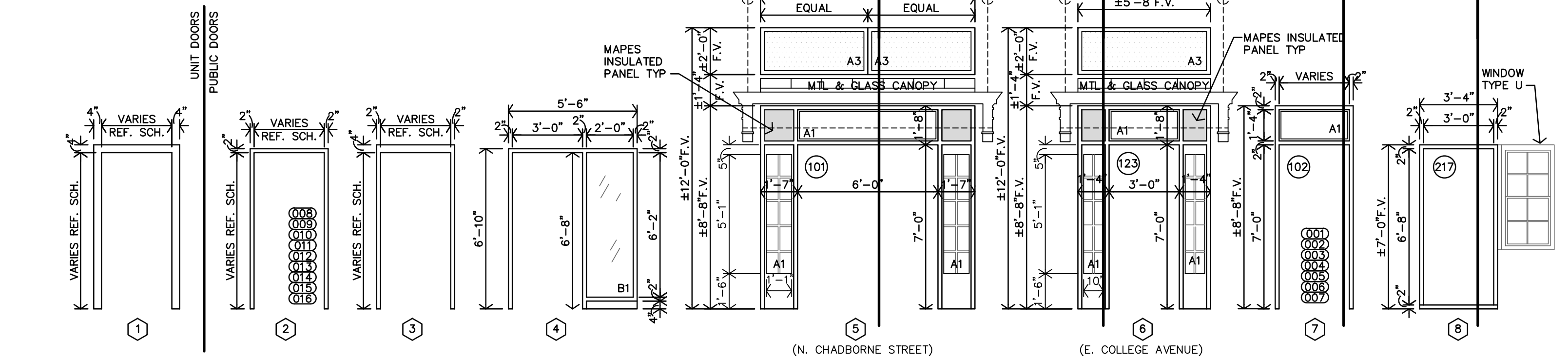
C DOOR JAMB DTL.
1 1/2"=1'-0"

GLAZING SCHEDULE

MARK	EXTERIOR		3/4" INSULATED	1/4" CLEAR GLASS	FROSTED	SPANDREL	TEMPERED	FIRE RATED
	INTERIOR	TYPE						
A1								
A2								
A3								
A4								
B1								
B2								

IECC 2021 REQUIREMENTS

U-FAC	OPERABLE	FIXED	OPERABLE
30	42	68	33
35	42	68	33
40	42	68	33
45	42	68	33
50	42	68	33





BP24-0000249
 REVIEWED for code
 compliance
 4/15/2024

GENERAL NOTES REPLACEMENT WINDOWS

REMOVE & REPLACE, Confirm location of EXISTING windows

BASIC SCOPE & MAINTENANCE

- Removal of EXISTING caulking, window, frame, anchors etc.
- Protect adjacent substrate, siding, stone, brick, stucco, etc. from damage
- Clean, repair, patch, opening to be solid secure & ready for new window
- Repainting & sealing opening to match original
- Caulking new window to EXISTING opening, high quality elastomeric caulk.

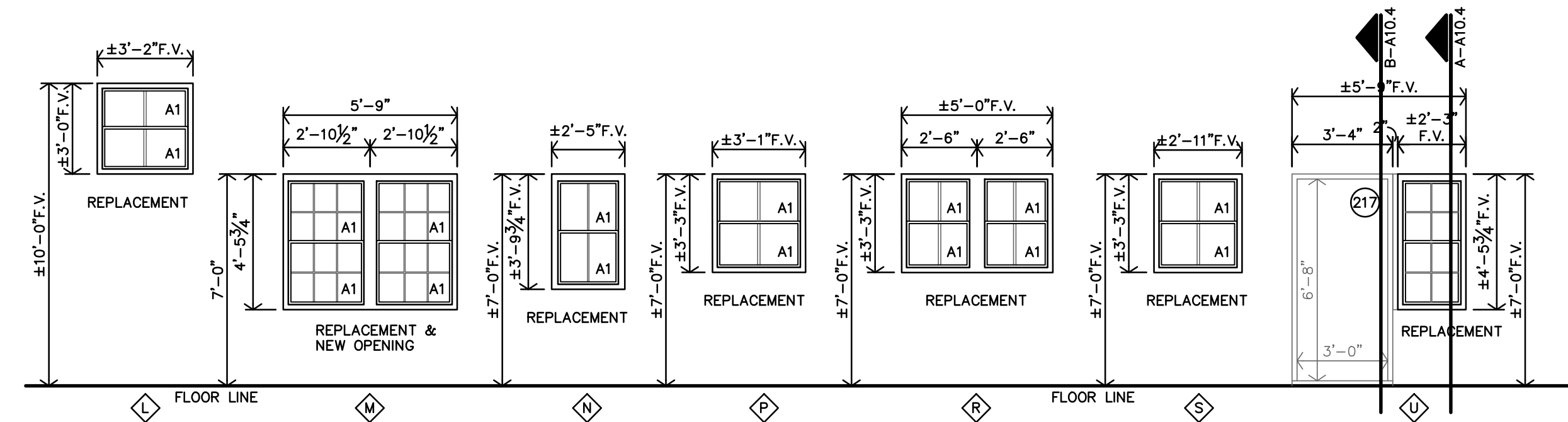
WEATHERIZATION

Caulking & sealing around the masonry openings, installing weatherstripping
 All exterior openings to receive liquid-applied flashing membrane per specifications.

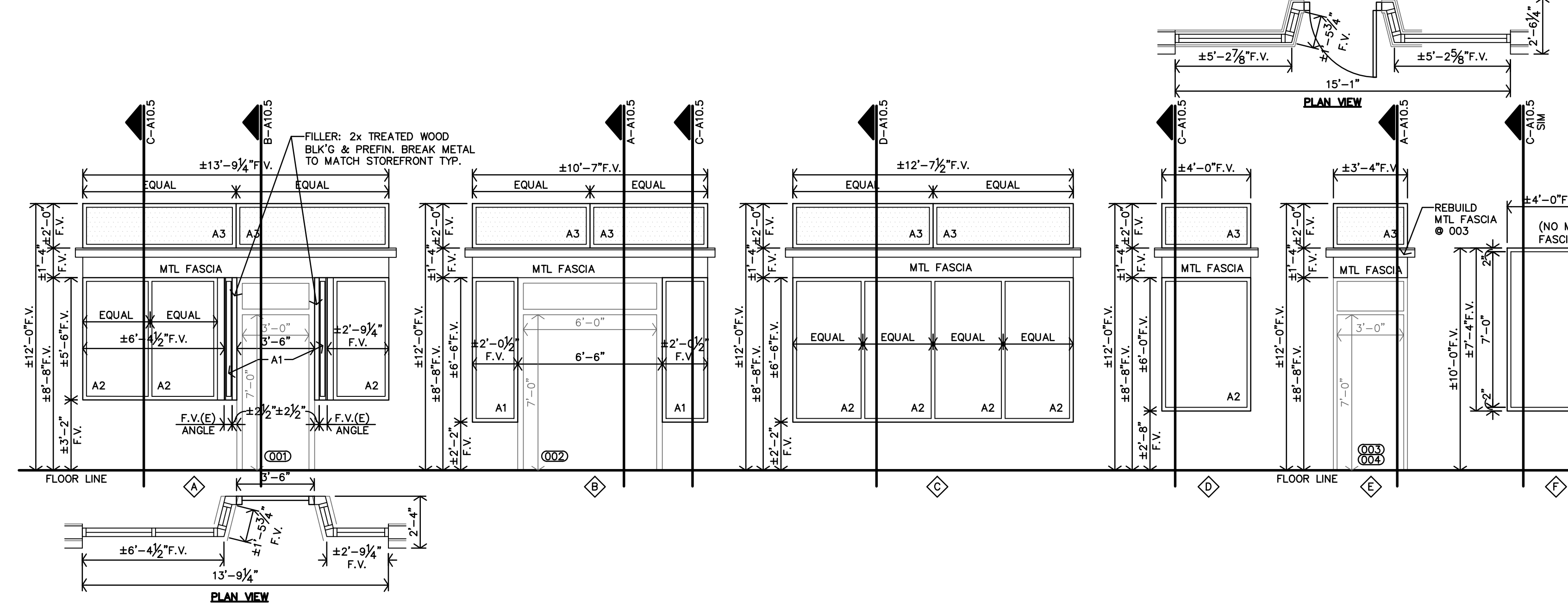
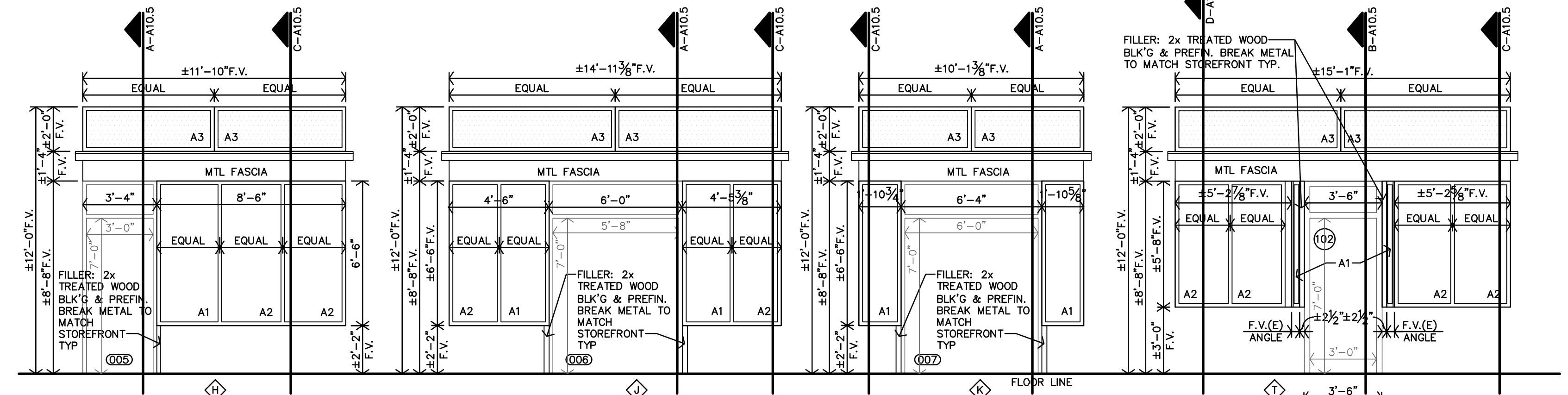
WINDOW SCHEDULE

MARK	WIDTH	HEIGHT	MATERIAL	STYLE			EXTERIOR	INTERIOR	DETAILS
				FIXED	DOUBLE HUNG	CASEMENT			
A	±13'-9 1/4" F.V.	±2'-0" F.V.	ALUM. STOREFRONT SYSTEM	•			•	-	
B	±13'-9 1/4" F.V.	±5'-6" F.V.	ALUM. STOREFRONT SYSTEM	•			•	-	
C	±10'-7" F.V.	±2'-0" F.V.	ALUM. STOREFRONT SYSTEM	•			•	-	
D	±10'-7" F.V.	±6'-6" F.V.	ALUM. STOREFRONT SYSTEM	•			•	-	
E	±12'-7 1/2" F.V.	±2'-0" F.V.	ALUM. STOREFRONT SYSTEM	•			•	-	
F	±12'-7 1/2" F.V.	±6'-6" F.V.	ALUM. STOREFRONT SYSTEM	•			•	-	
G	±4'-0" F.V.	±6'-0" F.V.	ALUM. STOREFRONT SYSTEM	•			•	-	
H	±4'-0" F.V.	±7'-4" F.V.	ALUM. STOREFRONT SYSTEM	•			•	-	
I	±4'-0" F.V.	±2'-0" F.V.	ALUM. STOREFRONT SYSTEM	•			•	-	
J	±11'-10" F.V.	±2'-0" F.V.	ALUM. STOREFRONT SYSTEM	•			•	-	
K	±11'-10" F.V.	±6'-6" F.V.	ALUM. STOREFRONT SYSTEM	•			•	-	
L	±14'-11 3/8" F.V.	±2'-0" F.V.	ALUM. STOREFRONT SYSTEM	•			•	-	
M	±14'-11 3/8" F.V.	±6'-6" F.V.	ALUM. STOREFRONT SYSTEM	•			•	-	
N	±10'-1 3/8" F.V.	±2'-0" F.V.	ALUM. STOREFRONT SYSTEM	•			•	-	
O	±10'-1 3/8" F.V.	±6'-6" F.V.	ALUM. STOREFRONT SYSTEM	•			•	-	
P	±3'-2" F.V.	±3'-0" F.V.	ALUM./WOOD CLAD	•			•	A/D-A10.4	
Q	(2)2'-10 1/2"	4'-5 3/4"	ALUM./WOOD CLAD	•			•	A/C-A10.4	
R	2'-5"	3'-9 3/4"	ALUM./WOOD CLAD	•			•	A/D-A10.4	
S	±3'-1" F.V.	±3'-3" F.V.	ALUM./WOOD CLAD	•			•	A/D-A10.4	
T	(2)2'-6"	3'-3"	ALUM./WOOD CLAD	•			•	A/C-A10.4	
U	±2'-11" F.V.	±3'-3" F.V.	ALUM./WOOD CLAD	•			•	A/D-A10.4	
V	±15'-1" F.V.	±2'-0" F.V.	ALUM. STOREFRONT SYSTEM	•			•	-	
W	±15'-1" F.V.	±5'-8" F.V.	ALUM. STOREFRONT SYSTEM	•			•	-	
X	2'-3"	4'-5 3/4"	ALUM./WOOD CLAD	•			•	A/B/E-A10.4	

- NOTES:**
1. CONTRACTOR MUST INSTALL MTL FLASHINGS & CONT. CAULK FOR A WEATHER & WATERTIGHT CONDITIONS @ ALL EXTERIOR WINDOW UNITS.
 2. CONTRACTOR MUST INSTALL 1/4" INSUL. OR THERMAL BREAK, CONTINUOUS AROUND WINDOW.
 3. CONTRACTOR TO PROVIDE & INSTALL MANUFACTURERS COORDINATING PANNING SYSTEM FOR ALUM. WINDOWS.
 4. WINDOWS A & B MUST BE SIZED TO MEET EGRESS REQUIREMENTS.
 5. ALL OPERABLE WINDOWS W/ THE SILL 5'-0" ABOVE GRADE, SHALL BE PROVIDED W/ WINDOW OPENING CONTROL DEVICE PER ASTM F2090 & 2021 IBC SEC. 1030.1.1
 6. PROVIDE & INSTALL SAFETY GLASS AT HAZARDOUS LOCATIONS, PER 2021 IBC CODE 2406.4, IN DOORS, ADJACENT & WITHIN 24" TO DOORS, LESS THAN 16' ABOVE FLOOR, IN GUARDS & HANDRAILS, ADJACENT TO STAIRS AND RAMPS, STAIRS AND RAMPS.
 7. ALL OPERABLE WINDOWS SHALL HAVE INSECT SCREENS.
 8. EMERGENCY ESCAPE & RESCUE PER 2021 IBC SEC. 1030.2, (20" x 24" MIN.) OPENINGS, 5.7 sq. MIN. AREA
 9. ALL EXTERIOR WINDOW FRAME OPENINGS TO HAVE LIQUID APPLIED FLASHING MEMBRANE PER SPECS.



B REPLACEMENT/NEW ALUMINUM/CLAD WINDOW TYPES
 1/4"=1'-0"



A REPLACEMENT ALUMINUM STOREFRONT WINDOW TYPES
 1/4"=1'-0"

GLAZING SCHEDULE

MARK	EXTERIOR	INTERIOR	3/4" INSULATED	1/4"	CLEAR GLASS	FROSTED	SPANDREL	TEMPERED	FIRE RATED
A1	•	•	•	•	•				
A2	•	•	•	•	•				
A3	•	•	•	•	•				
A4	•	•	•	•	•				
B1	•	•	•	•	•				
B2	•	•	•	•	•				

REF. SPECIFICATIONS FOR ADDITIONAL REQUIREMENTS

IECC 2021 REQUIREMENTS

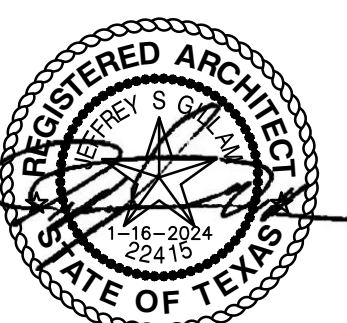
FENESTRATION	U-FACTOR
FIXED FENESTRATION	.42
OPERABLE FENESTRATION	.54
ENTRANCE DOOR	.68

SHG

SHG	FIXED OPERABLE
PF < .25	.25
.25 < PF < .5	.30
PF ≥ .5	.37

JonesGillamRenz
 1881 Main Street, Suite 301
 Salina, KS 67401
 785.827.0386
 jgr@jgarchitects.com

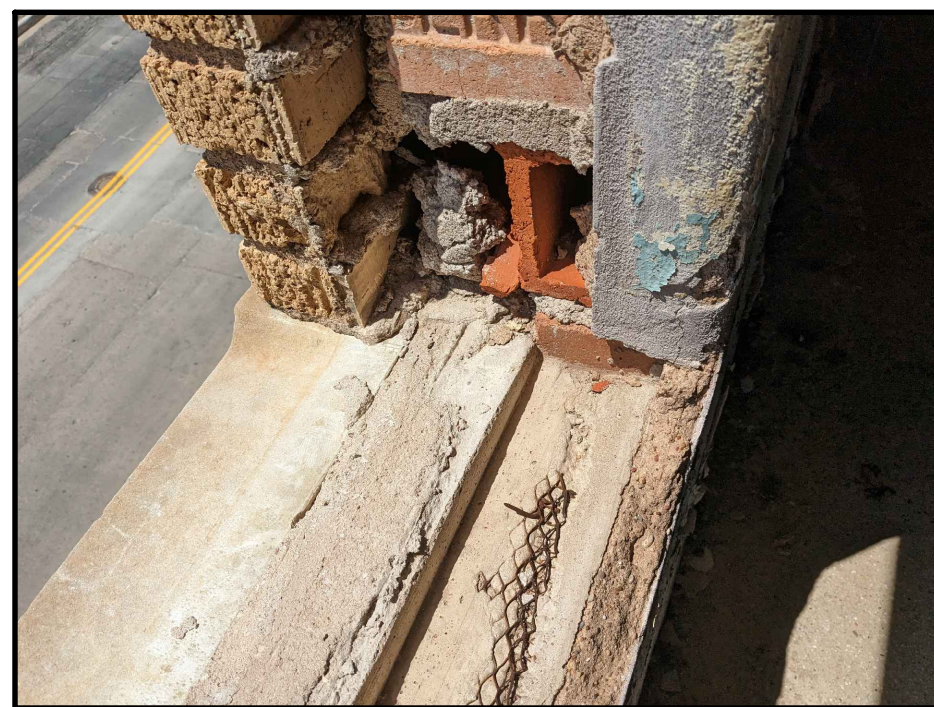
ROOSEVELT LOFTS
 HISTORIC REHABILITATION - APARTMENTS
 SAN ANGELO, TEXAS



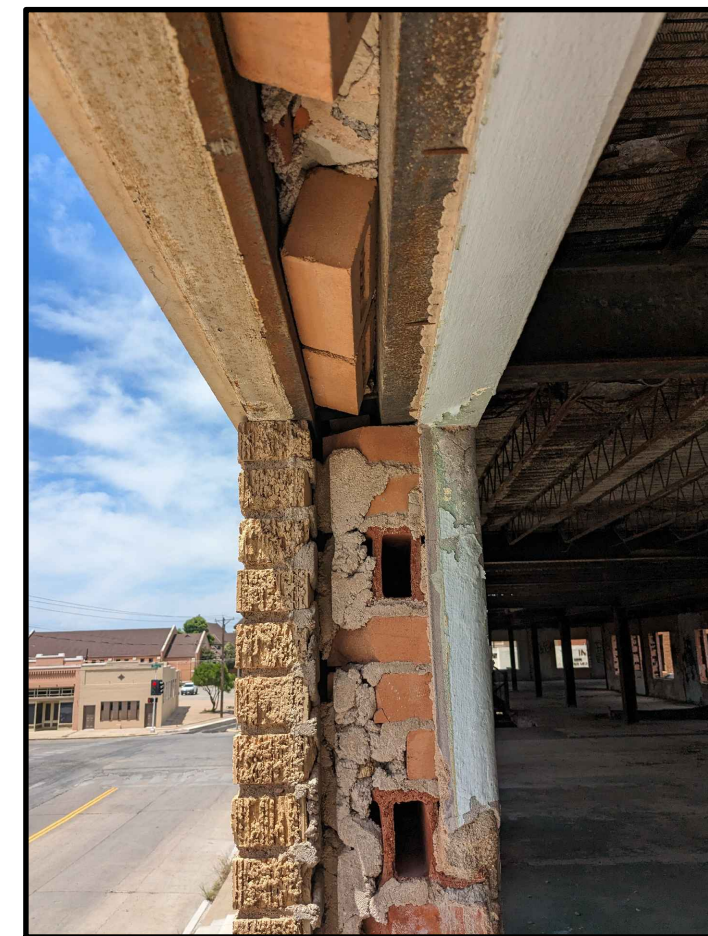
REVISION:
 DATE: 1-16-2024
 JOB: 22-3281
 SHEET NO.:

A10.3

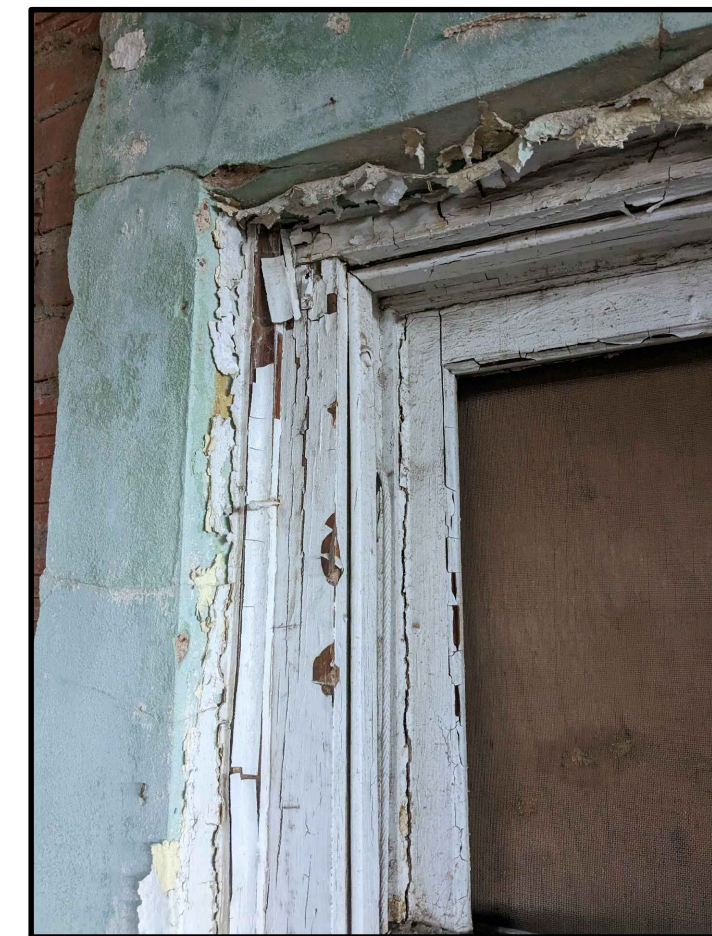
COPYRIGHTED



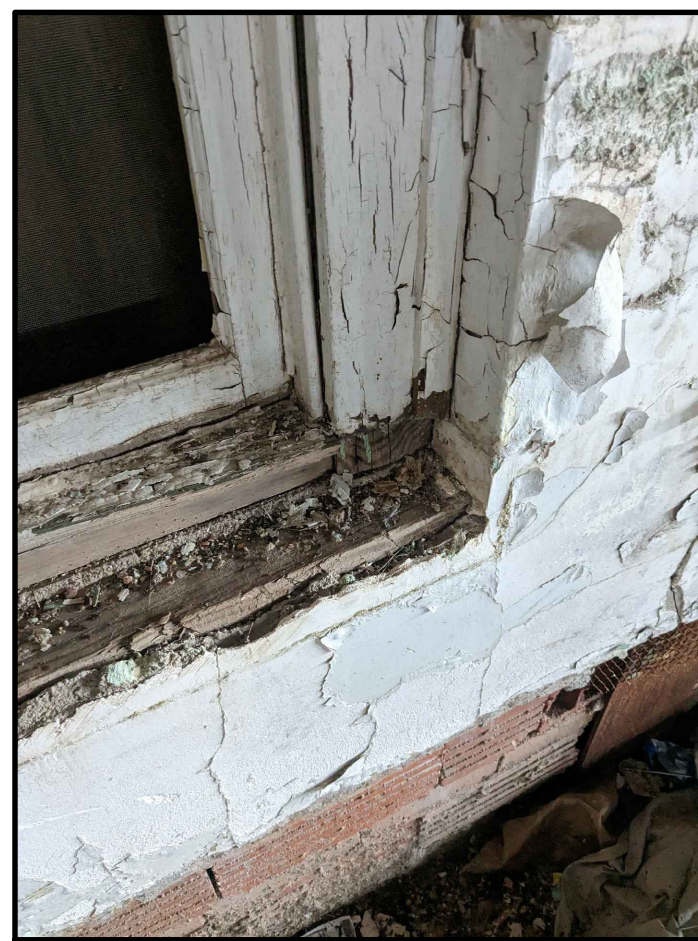
9 PHOTOGRAPH
NO SCALE



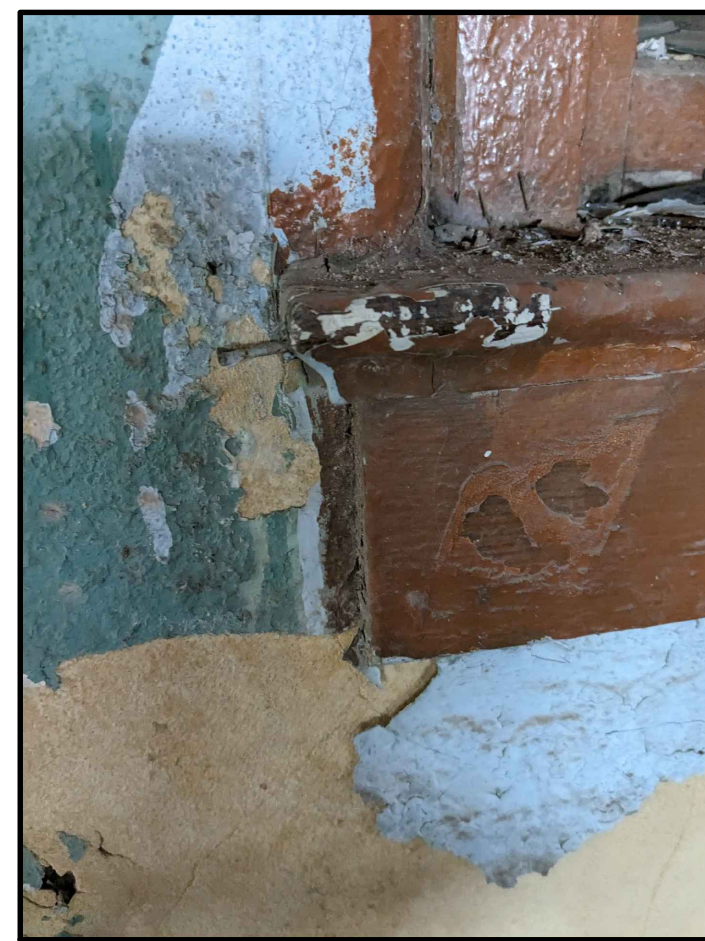
8 PHOTOGRAPH
NO SCALE



7 PHOTOGRAPH
NO SCALE



6 PHOTOGRAPH
NO SCALE



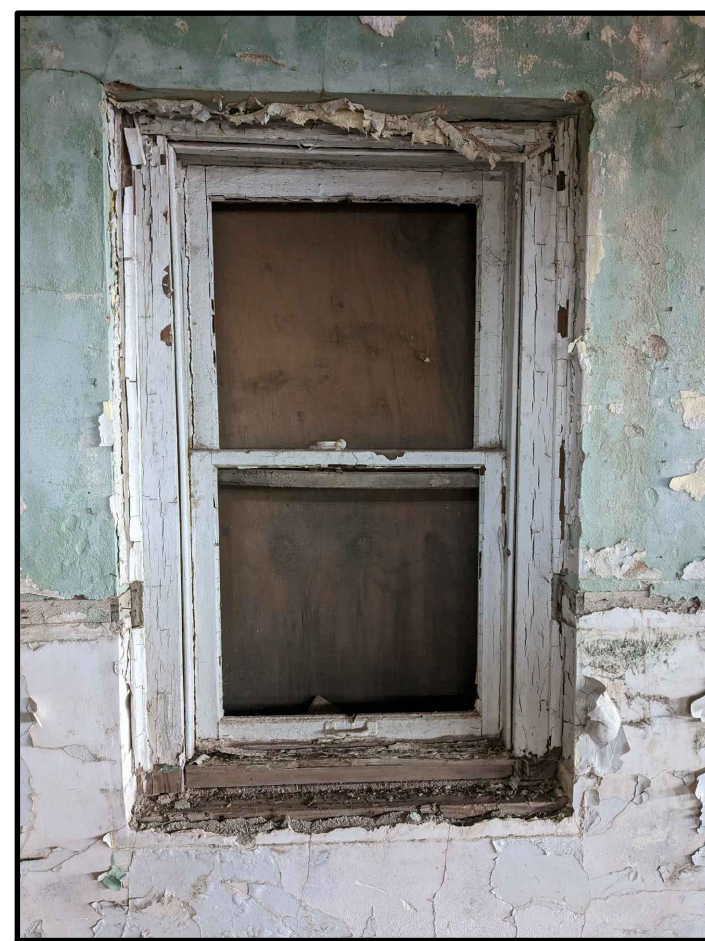
5 PHOTOGRAPH
NO SCALE



4 PHOTOGRAPH
NO SCALE



3 PHOTOGRAPH
NO SCALE



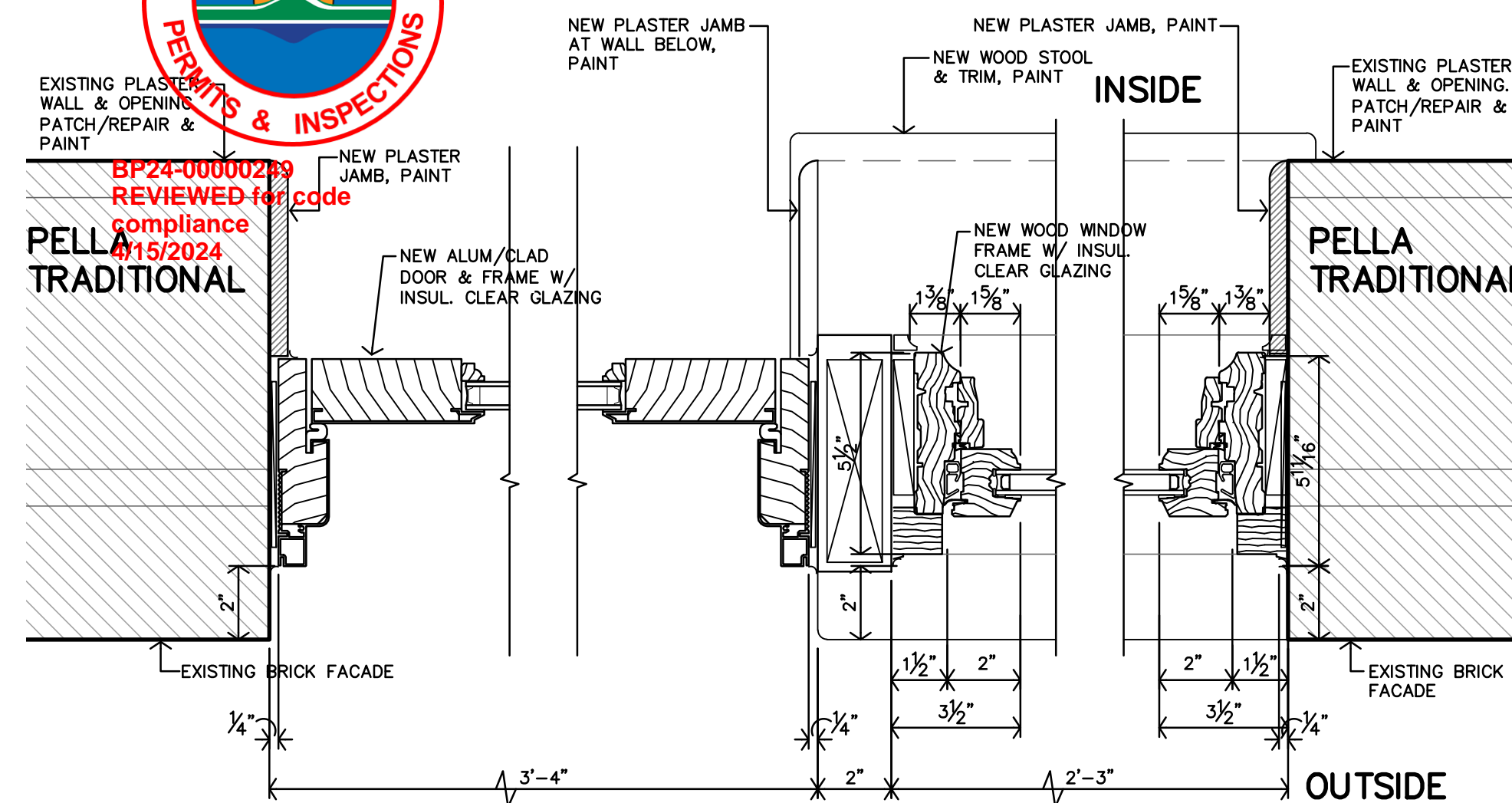
2 PHOTOGRAPH
NO SCALE



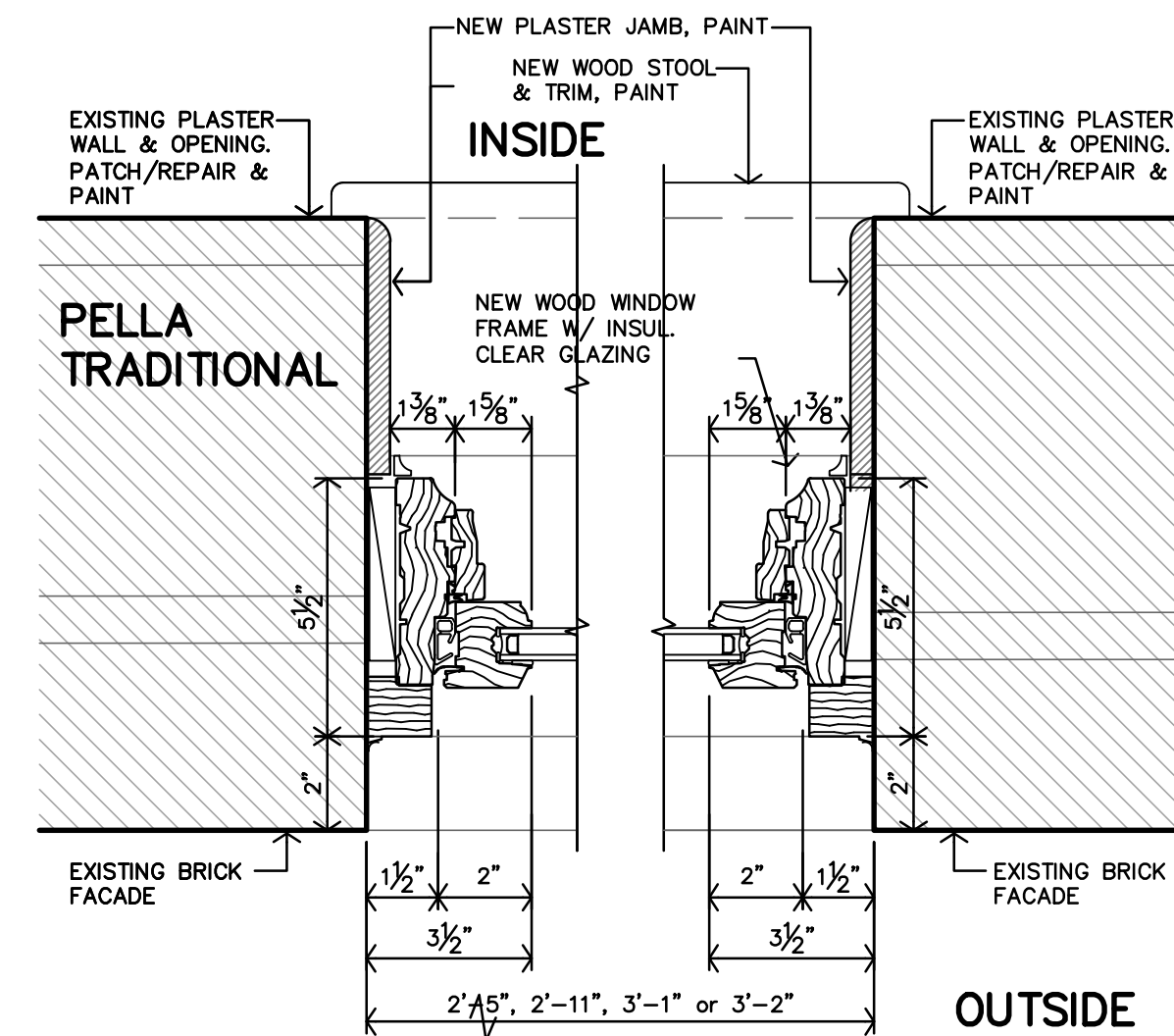
1 PHOTOGRAPH
NO SCALE



HISTORIC PHOTOGRAPH
NO SCALE



E REPLACEMENT WINDOW U & DOOR 217
JAMB/MULLION DETAILS
3"=1'-0"



D REPLACEMENT WINDOWS L/N/P/S
JAMB/MULLION DETAILS
3"=1'-0"

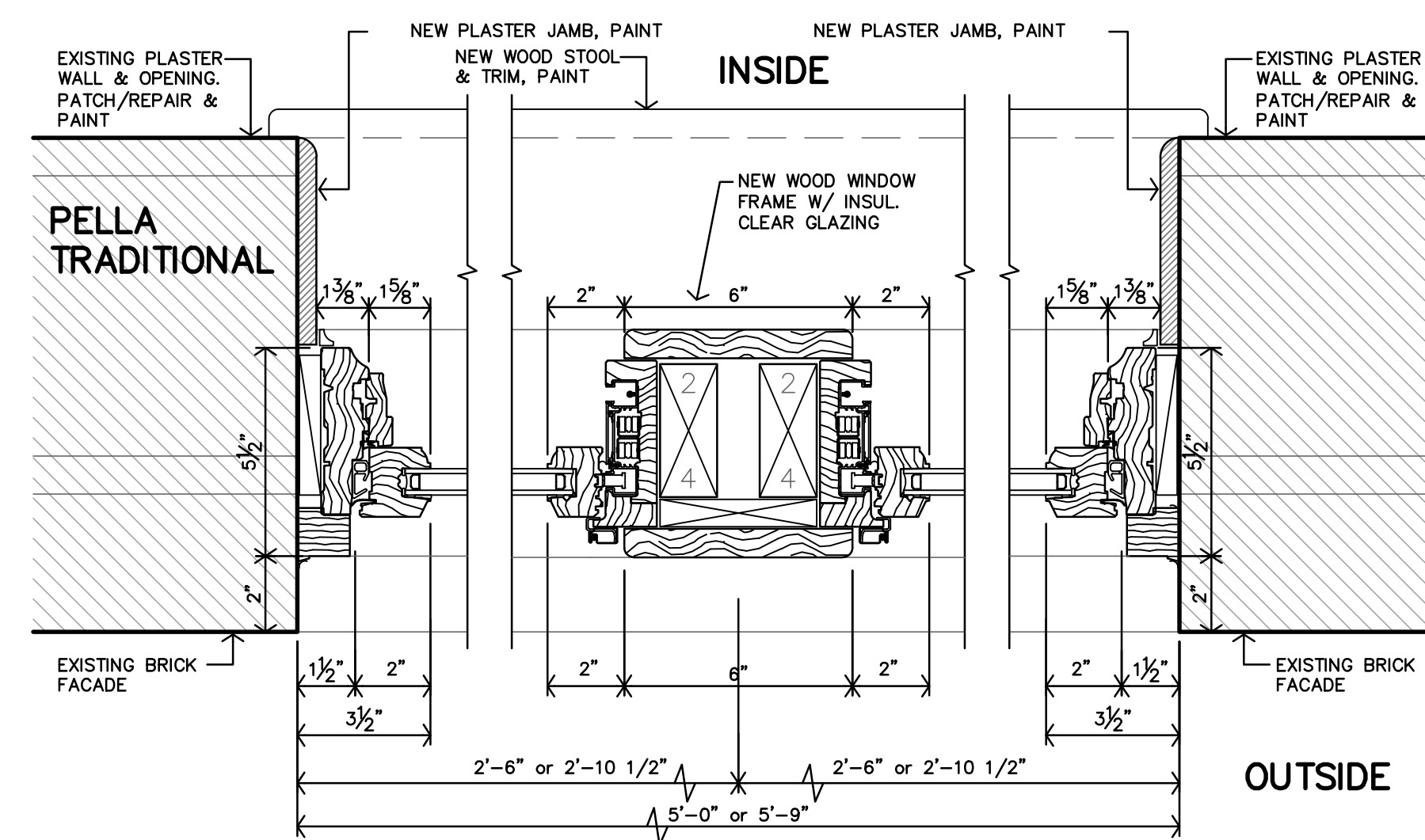
GENERAL NOTES REPLACEMENT WINDOWS
REMOVE & REPLACE, Confirm location of EXISTING windows

BASIC SCOPE & MAINTENANCE

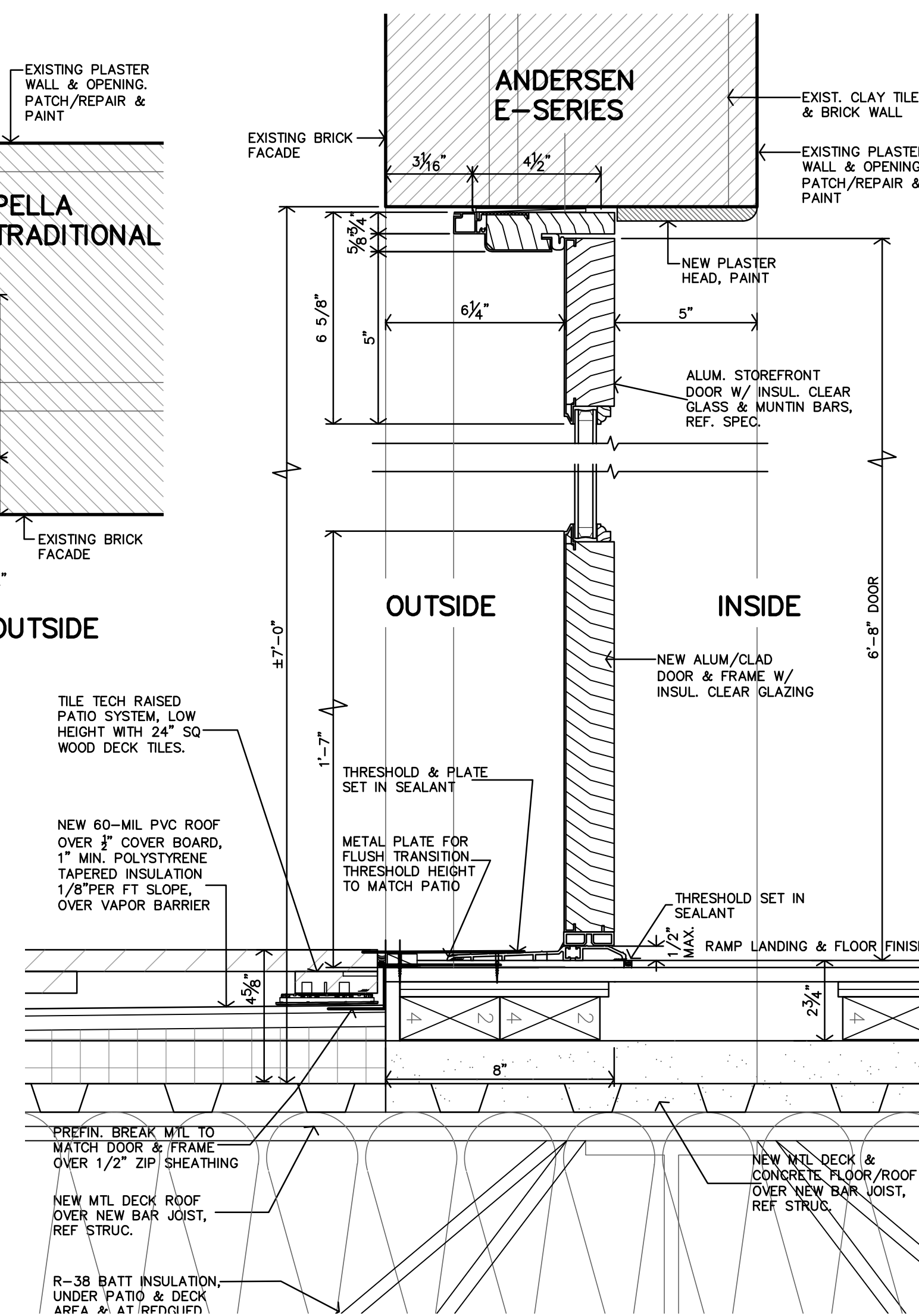
- Removal of EXISTING caulking, window, frame, anchors etc.
- Protect adjacent substrate, siding, stone, brick, stucco, etc. from damage
- Clean, repair, patch, opening to be solid secure & ready for new window
- Repainting & sealing opening to match original
- Caulking new window to EXISTING opening, high quality elastomeric caulk.

WEATHERIZATION

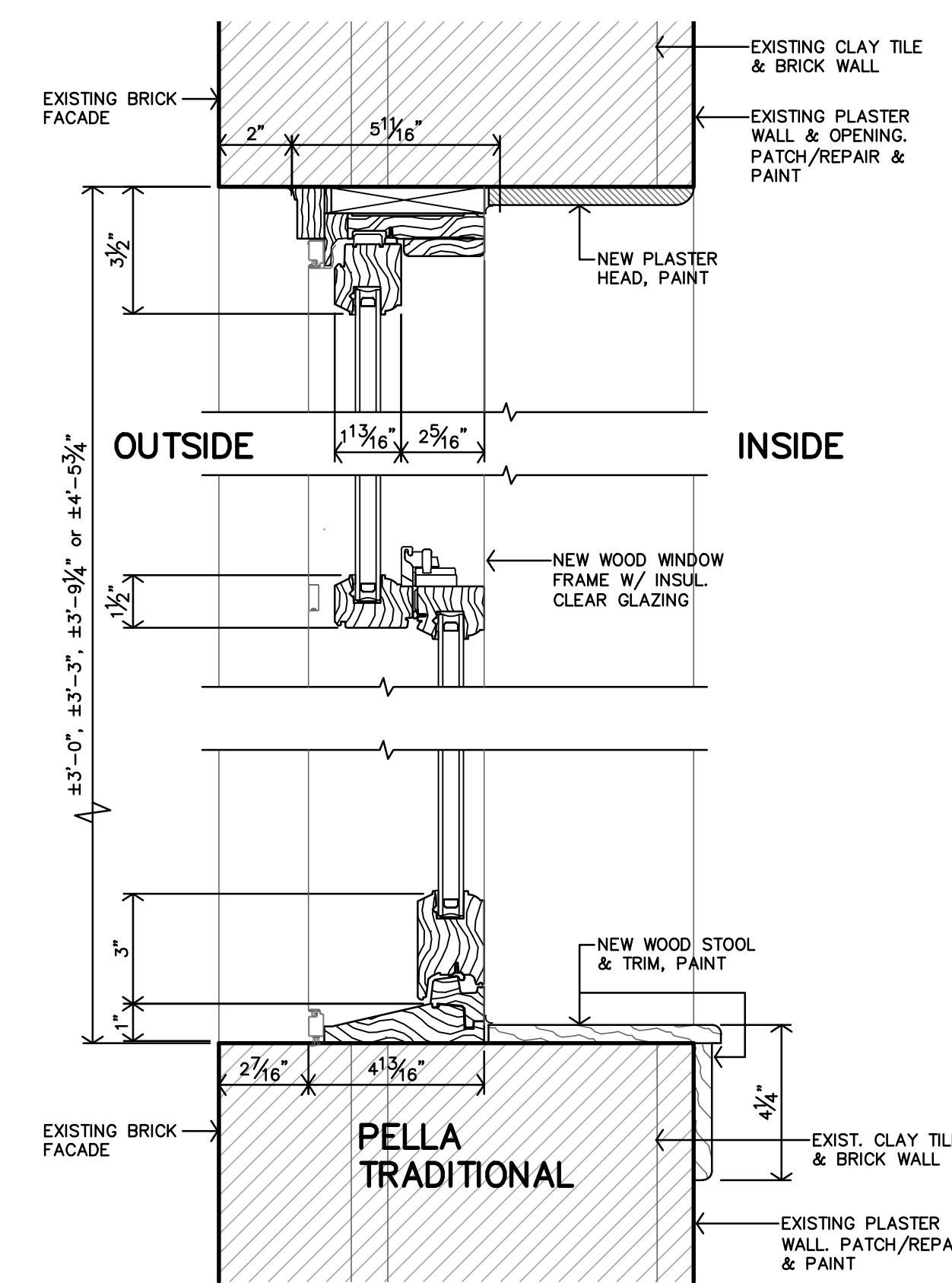
Caulking & sealing around the masonry openings, installing weatherstripping
All exterior openings to receive liquid-applied flashing membrane per specifications.



C REPLACEMENT/NEW WINDOWS M/R
JAMB/MULLION DETAILS
3"=1'-0"



B REPLACEMENT DOOR 217
HEAD & SILL DETAILS
3"=1'-0"



A REPLACEMENT/NEW WINDOWS L/M/N/P/R/S/U
HEAD & SILL DETAILS
3"=1'-0"



REVISION:
DATE: 1-16-2024
JOB: 22-3281
SHEET NO.:

A10.4

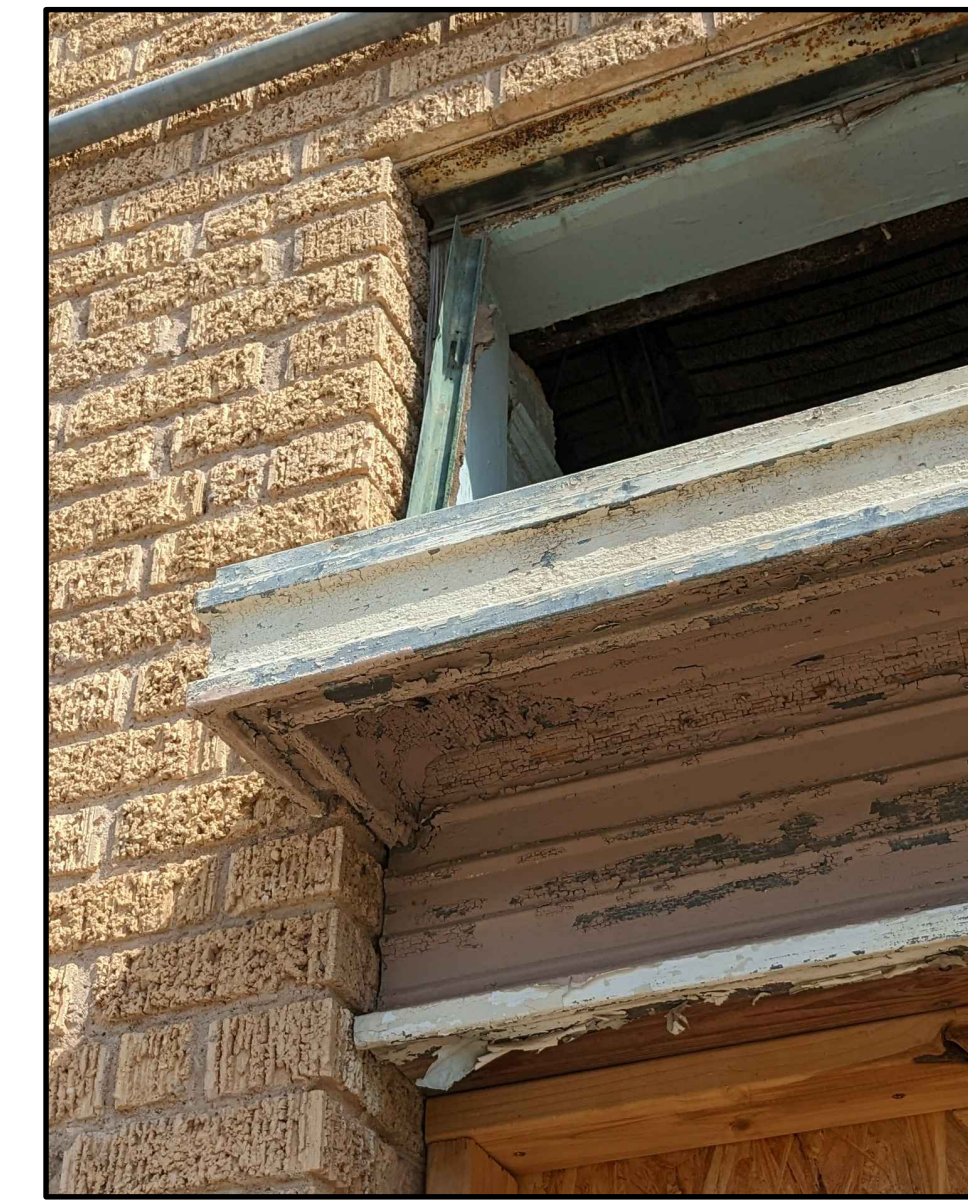
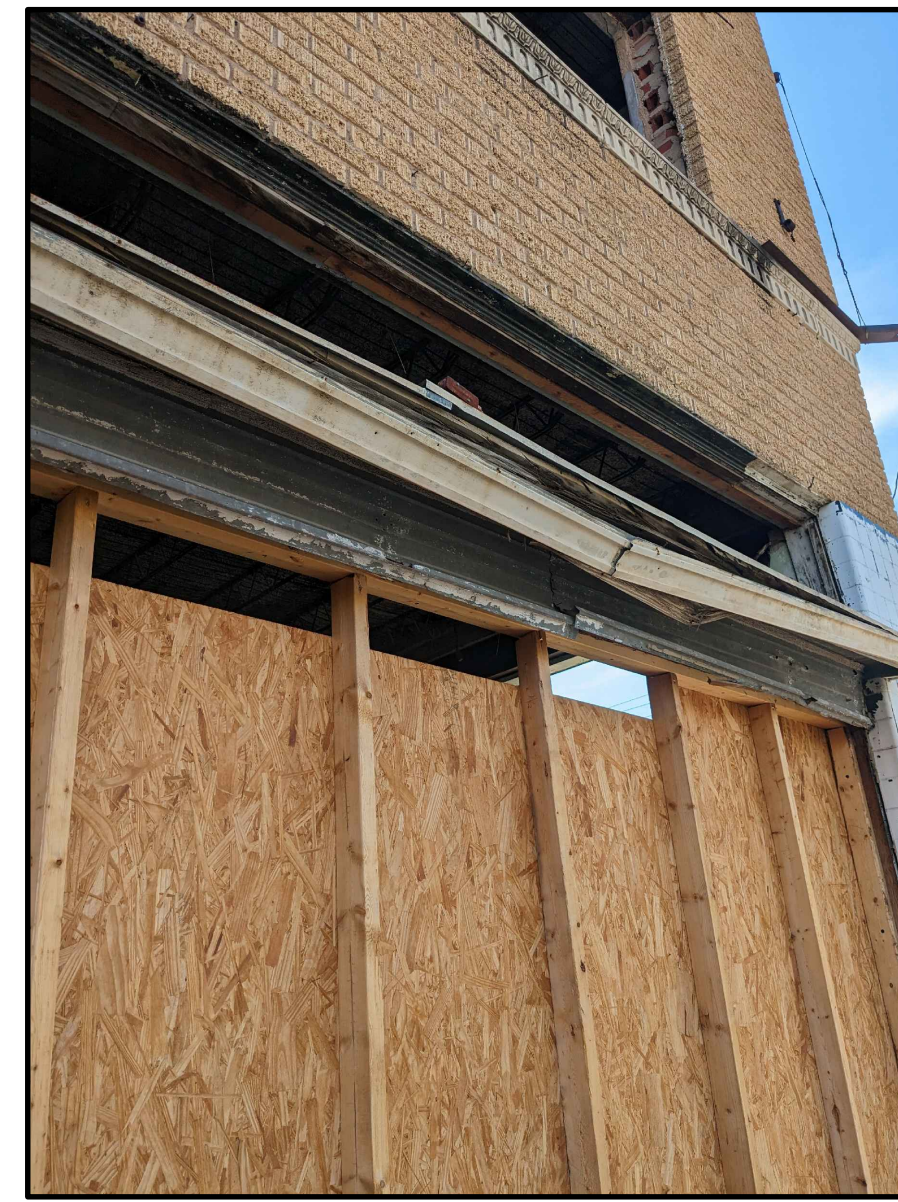
Jones Gillam Renz
1881 Main Street, Suite 301
Kansas City, MO 64108
jgr@jgarchitects.com

JGR
ROOSEVELT LOFTS
HISTORIC REHABILITATION - APARTMENTS
SAN ANGELO, TEXAS

COPYRIGHTED



BP 14-00000249
 REVIEWED for code
 compliance
 4/15/2024



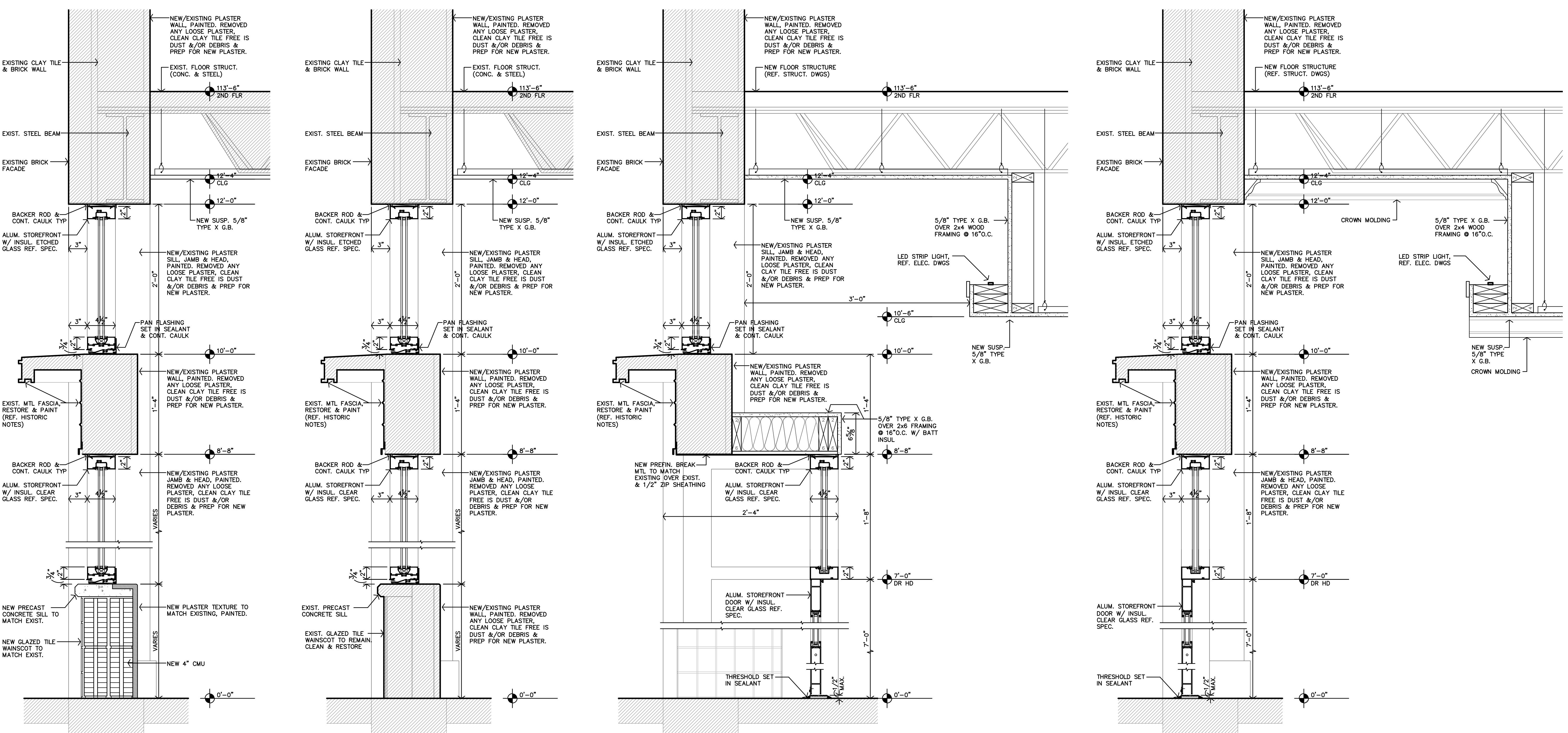
- HISTORIC METAL FASCIA NOTES**
1. REMOVE ALL PAINT, EXCESS CAULKING AND DEBRIS (REF. THE PRESERVATION BRIEF FOR MEANS AND METHODS). CLEAN.
 2. REPAIR AND REPLACE PIECES AND ELEMENTS AS NEEDED TO FULLY RESTORE FASCIA TO ORIGINAL APPEARANCE.
 3. REMOVE UNNECESSARY NAILS, BOLTS, ANCHORS & ACCESSORIES FROM PREVIOUS NON-HISTORIC INFILL.
 4. CLEAN AND PREP HISTORIC OPENINGS ABOVE AND BELOW FOR THE INSTALLATION OF NEW ALUM. STOREFRONT AND TRANSOM.
 5. FASCIA THAT ARE IN A STATE OF DISREPAIR SHALL BE CAREFULLY REMOVED AND NEW FASCIA SHALL BE CONSTRUCTED TO MATCH THE EXISTING.
 6. MISSING FASCIA SHALL BE RECONSTRUCTION TO MATCH EXISTING.
 7. FASCIA FINAL FINISH SHALL BE PAINTED, COLOR TO BE DETERMINED.

GENERAL NOTES REPLACEMENT WINDOWS
 REMOVE & REPLACE, Confirm location of EXISTING windows

- BASIC SCOPE & MAINTENANCE**
- Removal of EXISTING caulking, window, frame, anchors etc.
 - Protect adjacent substrate, siding, stone, brick, stucco, etc. from damage
 - Clean, repair, patch, opening to be solid secure & ready for new window
 - Repainting & sealing opening to match original
 - Caulking new window to EXISTING opening, high quality elastomeric caulk.

WEATHERIZATION
 Caulking & sealing around the masonry openings, installing weatherstripping All exterior openings to receive liquid-applied flashing membrane per specifications.

HISTORIC METAL FASCIA PHOTOGRAPHS
 NO SCALE



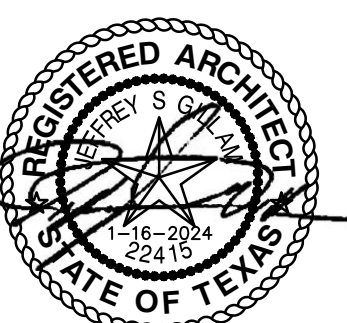
D WINDOW/CLEARSTORY DETAILS
 1 1/2"=1'-0"

C WINDOW/CLEARSTORY DETAILS
 1 1/2"=1'-0"

B DOOR/CLEARSTORY DETAILS
 1 1/2"=1'-0"

A DOOR/CLEARSTORY DETAILS
 1 1/2"=1'-0"

ROOSEVELT LOFTS
 HISTORIC REHABILITATION - APARTMENTS
 SAN ANGELO, TEXAS



REVISION: _____
 DATE: 1-16-2024
 JOB: 22-3281
 SHEET NO.: _____

A10.5

COPYRIGHTED ©

Jones Gillam Renz
 1881 Main Street, Suite 301
 Salina, KS 67401
 785.827.0386
 jgr@jgarchitects.com

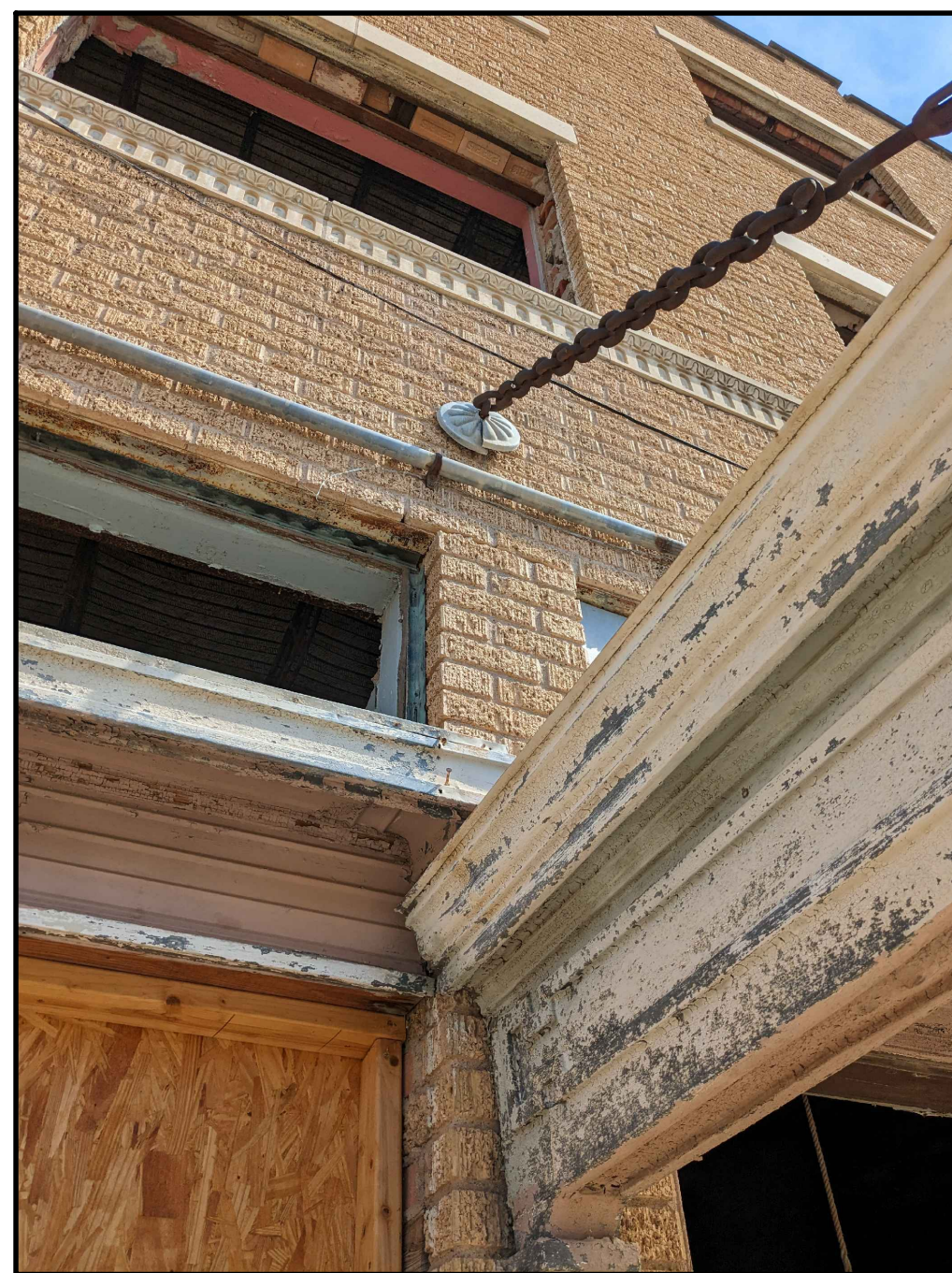




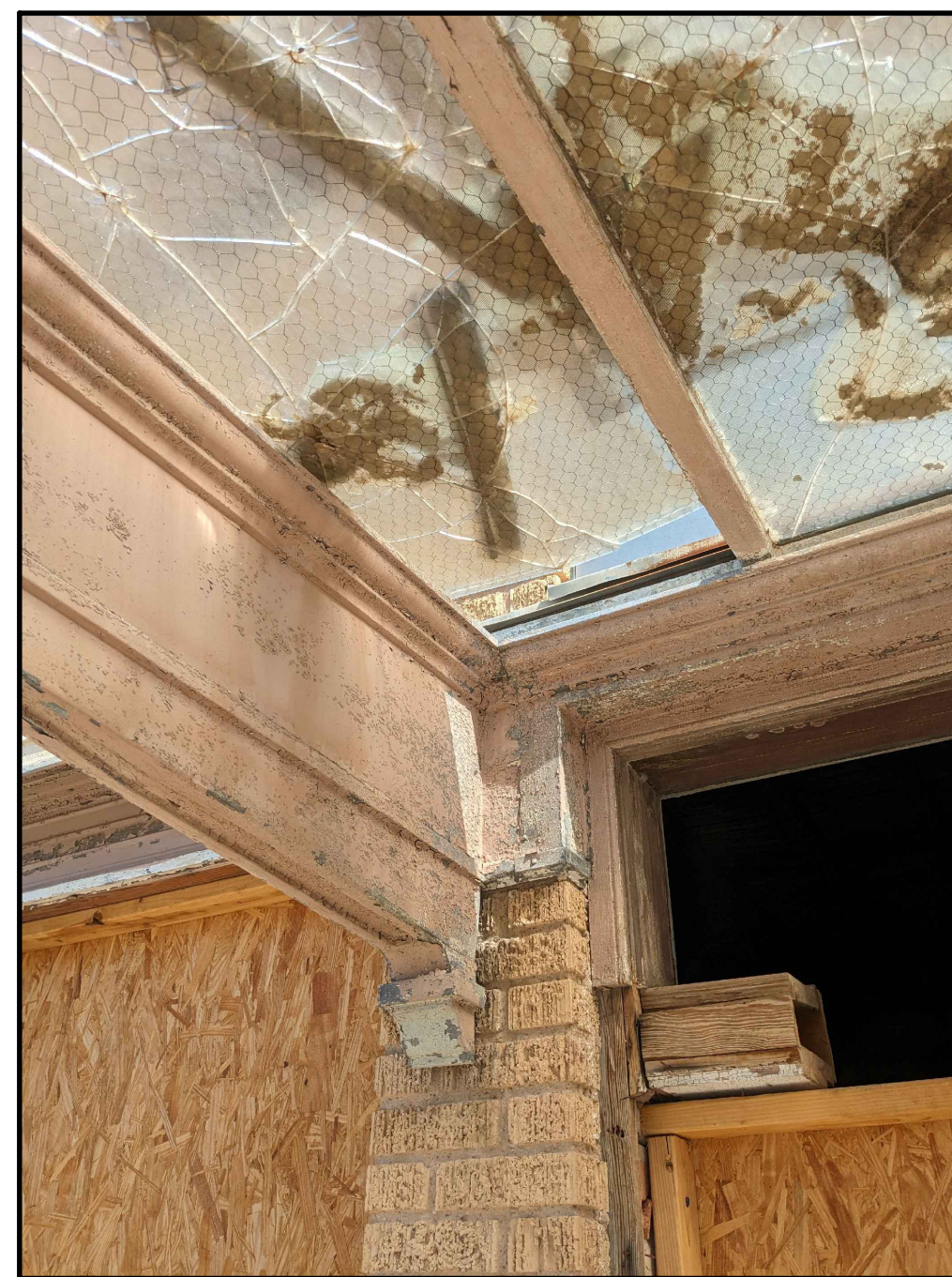
BP24-0000249
REVIEWED for code
compliance
4/15/2024

- EXISTING CANOPY (SOUTH) NOTES**
1. REMOVE ALL PAINT, EXCESS CAULKING AND DEBRIS (REF. THE PRESERVATION BRIEFS FOR MEANS AND METHODS). CLEAN.
 2. REPAIR AND REPLACE PIECES AND ELEMENTS AS NEEDED TO FULLY RESTORE CANOPY TO ORIGINAL APPEARANCE.
 3. REMOVE ALL CRACKED AND DAMAGED GLASS ON TOP OF CANOPY. PREP CANOPY FOR THE INSTALLATION OF NEW GLASS TOP.
 4. REMOVE UNNECESSARY NAILS, BOLTS, ANCHORS & ACCESSORIES FROM PREVIOUS NON-HISTORIC INFILL AND REPAIRS.
 5. REMOVE ANY CONDUIT, WIRES, ALARMS, LIGHTS, ETC.
 6. CLEAN AND PREP HISTORIC OPENINGS ABOVE AND BELOW FOR THE INSTALLATION OF NEW ALUM. STOREFRONT AND TRANSOM.
 7. STRUCTURAL ENGINEER TO EVALUATE CANOPY AND IF NECESSARY, PROVIDE RECOMMENDATION FOR FURTHER REPAIR AND STABILIZATION.
 8. CANOPY FINAL FINISH SHALL BE PAINTED, COLOR TO BE DETERMINED.

NEW CANOPY (WEST) NOTES
CONSTRUCT NEW CANOPY TO MATCH EXISTING.



**E. COLLEGE AVENUE (DR #123)
HISTORIC ENTRANCE CANOPY**
NO SCALE



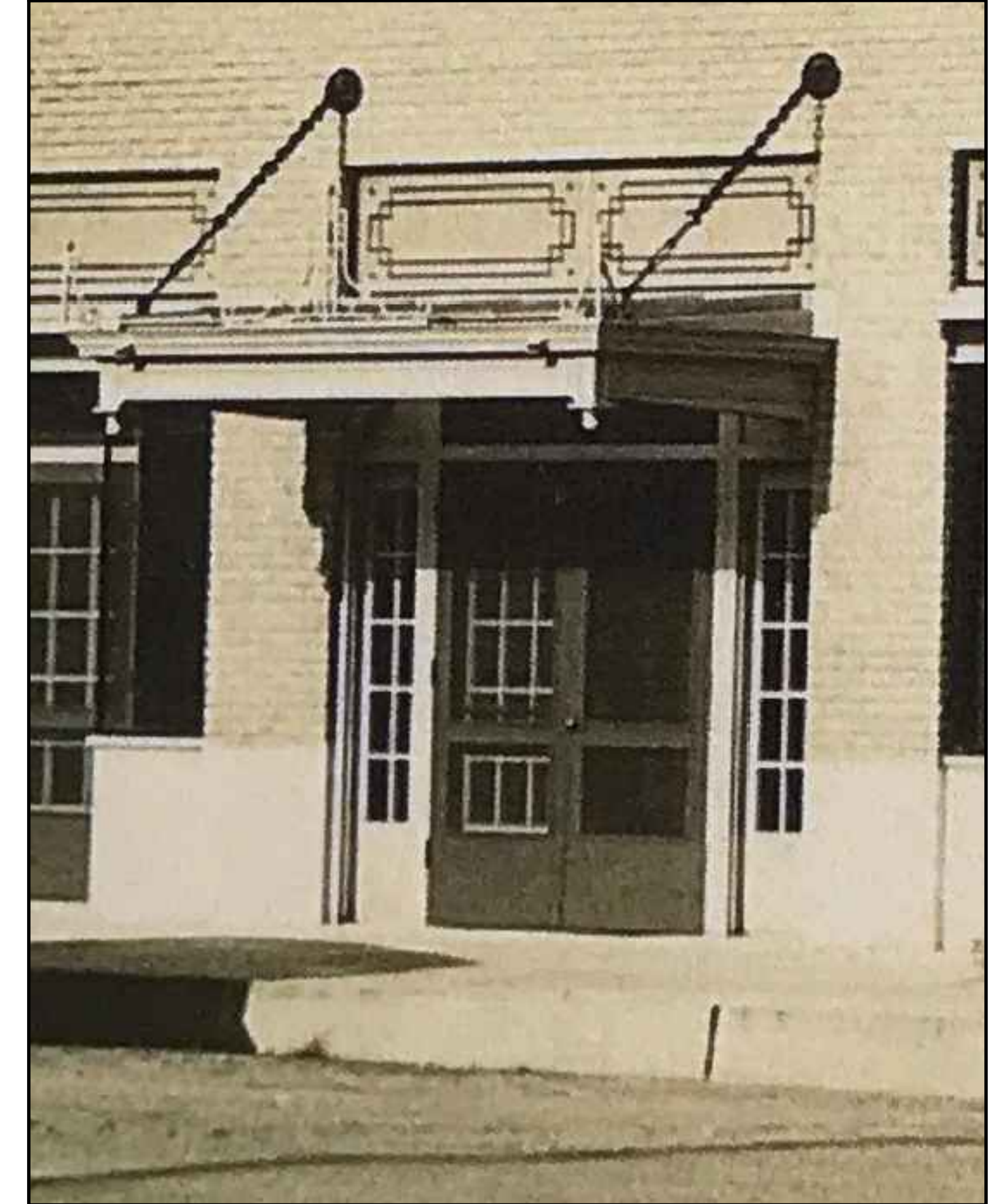
**E. COLLEGE AVENUE (DR #123)
HISTORIC ENTRANCE CANOPY**
NO SCALE



**E. COLLEGE AVENUE (DR #123)
HISTORIC ENTRANCE CANOPY**
NO SCALE



**E. COLLEGE AVENUE (DR #123)
HISTORIC ENTRANCE CANOPY**
NO SCALE



**N. CHADBORNE STREET (DR #101)
HISTORIC ENTRANCE PHOTOGRAPH**
NO SCALE



**E. COLLEGE AVENUE
HISTORIC ENTRANCE CANOPY**
NO SCALE



**E. COLLEGE AVENUE (DR #123)
HISTORIC ENTRANCE CANOPY**
NO SCALE

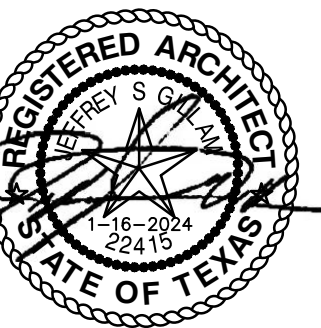


**E. COLLEGE AVENUE (DR #123)
HISTORIC ENTRANCE CANOPY**
NO SCALE

JonesGillamRenz
1881 Main Street, Suite 301
Kansas City, MO 64108
jgr@jgarchitects.com



ROOSEVELT LOFTS
HISTORIC REHABILITATION - APARTMENTS
SAN ANGELO, TEXAS



REVISION:

DATE: 1-16-2024

JOB: 22-3281

SHEET NO.:

A10.6

COPYRIGHTED ©



BP24-0000249
 REVIEWED for code
 compliance
 4/15/2024



REVISION:	
DATE:	1-16-2024
JOB:	22-3281
SHEET NO.:	

COPYRIGHTED

